

Model 2CDU

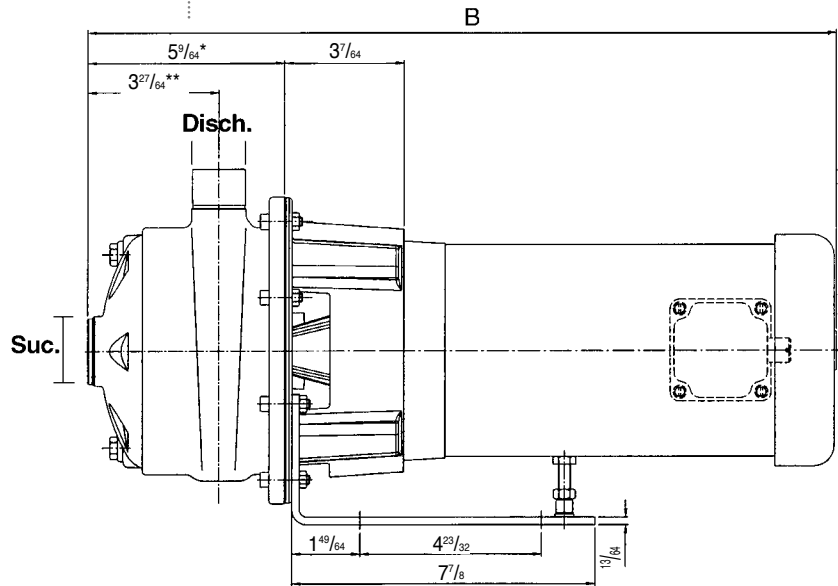
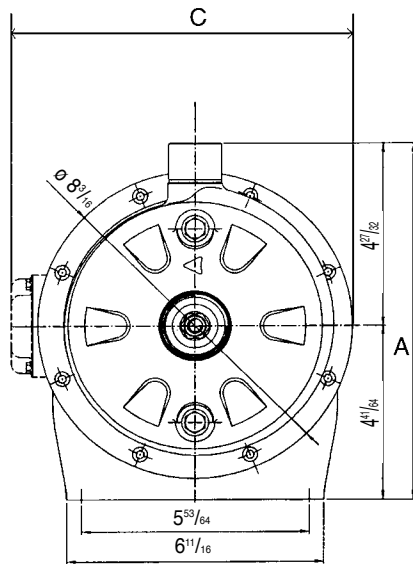
EBARA Stainless Steel Two-Stage Centrifugal Pumps

Dimensions

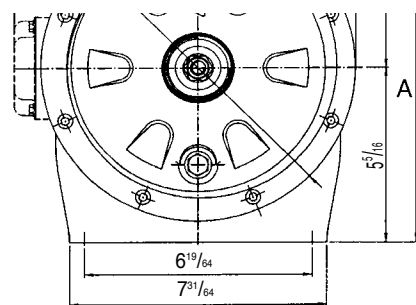
Pump with Standard NEMA motor

Note: All dimensions in inches

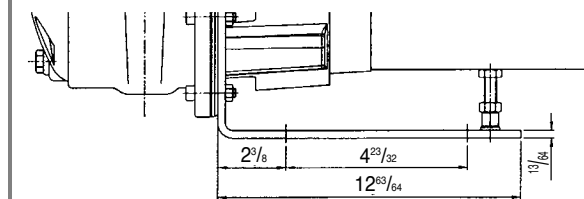
Note:
Dimensions for Model 2CDU120/306
*5⁷/₃₂
**3¹/₂



Note:
Dimensions for
Model 2CDU200/506 5HP



Note:
Dimensions for
Model 2CDU200/506 5HP



Model	Pump Size – NPT (Inch)		Dimension (Inch)			Approximate Weight (lbs.)			
	Suction	Discharge	Maximum Height (A)	Maximum Length (B)	Maximum Width (C)	Single Phase		Three Phase	
						ODP	TEFC	ODP	TEFC
2CDU70/206	1 ¹ / ₄	1"	9.77	20.27	7.323	55	65	50	45
2CDU70/306	1 ¹ / ₄	1"	10.82	21.87	11.66	65	90	55	60
2CDU120/306	1 ¹ / ₄	1"	10.82	21.91	11.66	65	90	55	65
2CDU200/506	1 ¹ / ₂	1"	11.66	23.5	11.66	n/a	100	n/a	90

