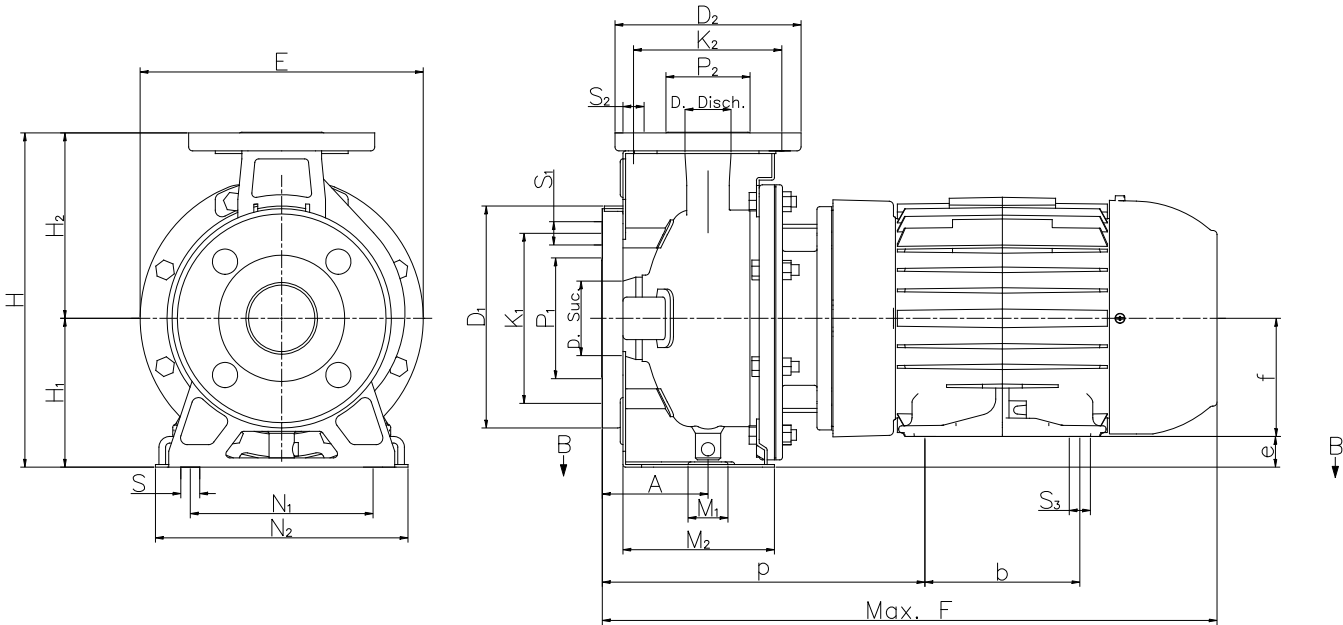


Model 3U

EBARA Stainless Steel Centrifugal Pumps

Pump Dimensions



Unit: inch

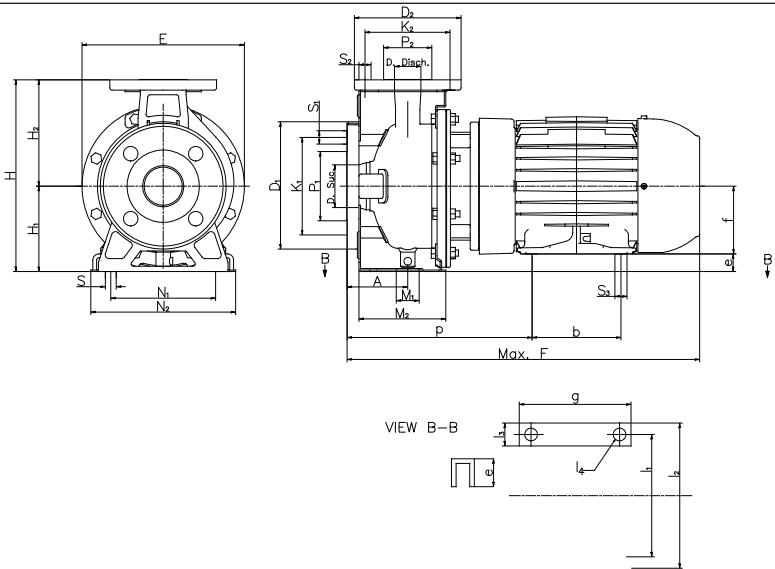
Model	Size	Flange										Pump									
		Suction					Discharge														
		D Suc.	P ₁	K ₁	D ₁	S ₁	D Disch.	P ₂	K ₂	D ₂	S ₂	A	E	H	H ₁	H ₂	M ₁	M ₂	N ₁	N ₂	S
32-125-3HP	1 1/4 x 2 x 5 3/16	2	3 3/4	4 15/16	6 1/2	11/16	1 1/4	2 1/2	3 1/2	5 1/2	5/8	3 1/8	8 3/8	9 15/16	4 7/16	5 1/2	2 3/4	4 1/2	5 1/2	7 1/2	9/16
32-160A-5HP	1 1/4 x 2 x 5 15/16	2	3 3/4	4 15/16	6 1/2	11/16	1 1/4	2 1/2	3 1/2	5 1/2	5/8	3 1/8	10	11 1/2	5 3/16	6 5/16	2 3/4	4 5/8	7 1/2	9 7/16	9/16
32-160B-5HP	1 1/4 x 2 x 6 9/16	2	3 3/4	4 15/16	6 1/2	11/16	1 1/4	2 1/2	3 1/2	5 1/2	5/8	3 1/8	10	11 1/2	5 3/16	6 5/16	2 3/4	4 5/8	7 1/2	9 7/16	9/16
32-200-7 1/2HP	1 1/4 x 2 x 7 5/16	2	3 3/4	4 15/16	6 1/2	11/16	1 1/4	2 1/2	3 1/2	5 1/2	5/8	3 1/8	11 9/16	13 3/8	6 5/16	7 1/16	2 3/4	4 11/16	7 1/2	9 7/16	9/16
32-200-10HP	1 1/4 x 2 x 7 7/8	2	3 3/4	4 15/16	6 1/2	11/16	1 1/4	2 1/2	3 1/2	5 1/2	5/8	3 1/8	11 9/16	13 3/8	6 5/16	7 1/16	2 3/4	4 11/16	7 1/2	9 7/16	9/16
40-125A-5HP	1 1/2 x 2 1/2 x 4 15/16	2 1/2	4 9/16	5 11/16	7 5/16	11/16	1 1/2	2 7/8	3 7/8	5 7/8	5/8	3 1/8	8 3/8	9 15/16	4 7/16	5 1/2	2 3/4	4 1/2	6 5/16	8 1/4	9/16
40-125B-5HP	1 1/2 x 2 1/2 x 5 1/2	2 1/2	4 9/16	5 11/16	7 5/16	11/16	1 1/2	2 7/8	3 7/8	5 7/8	5/8	3 1/8	8 3/8	9 15/16	4 7/16	5 1/2	2 3/4	4 1/2	6 5/16	8 1/4	9/16
40-160-7 1/2HP	1 1/2 x 2 1/2 x 5 15/16	2 1/2	4 9/16	5 11/16	7 5/16	11/16	1 1/2	2 7/8	3 7/8	5 7/8	5/8	3 1/8	10	11 1/2	5 3/16	6 5/16	2 3/4	4 5/8	7 1/2	9 7/16	9/16
40-160-1-10HP	1 1/2 x 2 1/2 x 6 9/16	2 1/2	4 9/16	5 11/16	7 5/16	11/16	1 1/2	2 7/8	3 7/8	5 7/8	5/8	3 1/8	10	11 1/2	5 3/16	6 5/16	2 3/4	4 5/8	7 1/2	9 7/16	9/16
40-200A-15HP	1 1/2 x 2 1/2 x 7 3/16	2 1/2	4 9/16	5 11/16	7 5/16	11/16	1 1/2	2 7/8	3 7/8	5 7/8	5/8	3 15/16	11 9/16	13 3/8	6 5/16	7 1/16	2 3/4	4 1/2	8 3/8	10 7/16	9/16
40-200B-15HP	1 1/2 x 2 1/2 x 7 7/8	2 1/2	4 9/16	5 11/16	7 5/16	11/16	1 1/2	2 7/8	3 7/8	5 7/8	5/8	3 15/16	11 9/16	13 3/8	6 5/16	7 1/16	2 3/4	4 1/2	8 3/8	10 7/16	9/16
50-125-7 1/2HP	2 x 2 1/2 x 5 3/16	2 1/2	4 9/16	5 11/16	7 5/16	11/16	2	3 3/4	4 15/16	6 1/2	11/16	3 15/16	10	11 1/2	5 3/16	6 5/16	2 3/4	4 1/2	7 1/2	9 7/16	9/16
50-125-10HP	2 x 2 1/2 x 5 1/2	2 1/2	4 9/16	5 11/16	7 5/16	11/16	2	3 3/4	4 15/16	6 1/2	11/16	3 15/16	10	11 1/2	5 3/16	6 5/16	2 3/4	4 1/2	7 1/2	9 7/16	9/16
50-160-10HP	2 x 2 1/2 x 6 3/16	2 1/2	4 9/16	5 11/16	7 5/16	11/16	2	3 3/4	4 15/16	6 1/2	11/16	3 15/16	11 11/16	13 3/8	6 5/16	7 1/16	2 3/4	4 1/2	8 3/8	10 7/16	9/16
50-160-1-15HP	2 x 2 1/2 x 6 9/16	2 1/2	4 9/16	5 11/16	7 5/16	11/16	2	3 3/4	4 15/16	6 1/2	11/16	3 15/16	11 11/16	13 3/8	6 5/16	7 1/16	2 3/4	4 1/2	8 3/8	10 7/16	9/16

Model 3U

EBARA Stainless Steel Centrifugal Pumps

Pump Dimensions

3U 2-Pole Motor

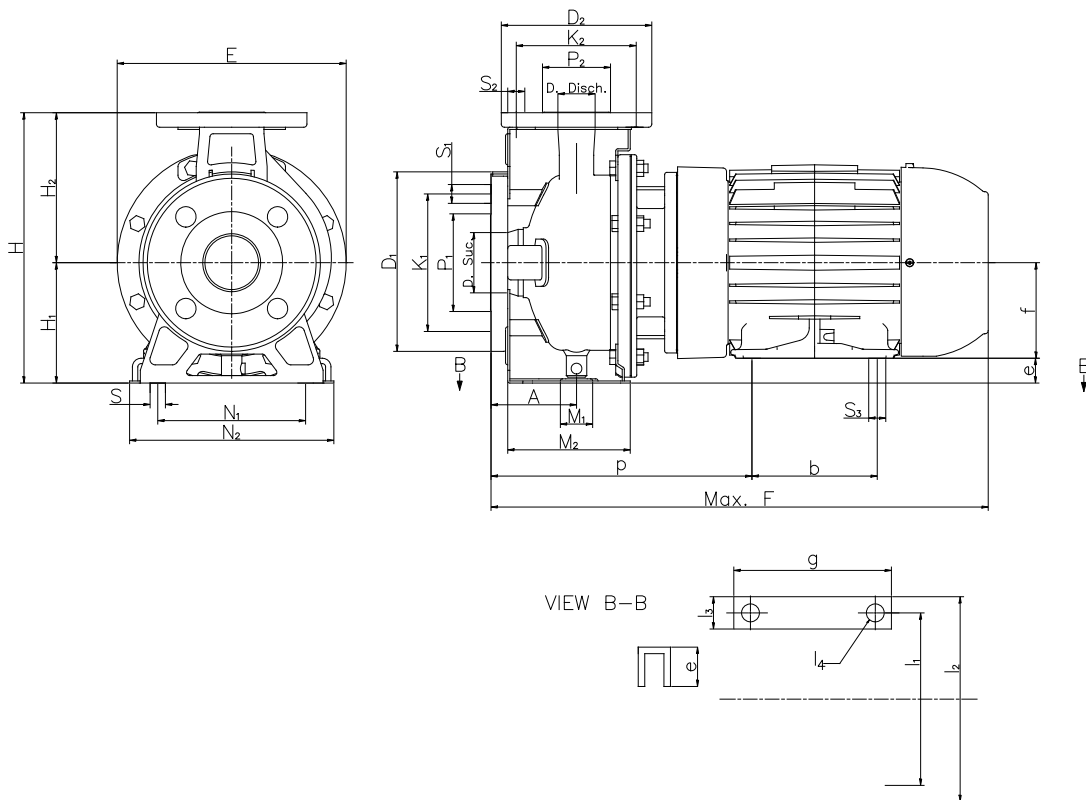


Model	JM Frame	Motor									
		b	e	f	g	l ₁	l ₂	l ₃	P	S ₃	F
32-125	145JM	5	15/16	3 1/2	5 15/16	5 1/2	6 1/2	1	6 9/16	11/32	18 15/16
	182JM	4 1/2	-1/16	4 1/2	6 1/2	7 1/2	8 1/2	1	7 3/16	13/32	19 3/16
32-160 ^{A/B}	182JM	4 1/2	11/16	4 1/2	6 1/2	7 1/2	8 1/2	1	7 3/16	13/32	19 3/16
	184JM	5 1/2	11/16	4 1/2	6 1/2	7 1/2	8 1/2	1	7 3/16	13/32	20 5/8
32-200	184JM	5 1/2	1 13/16	4 1/2	6 1/2	7 1/2	8 1/2	1	7 3/16	13/32	22 1/8
	213JM	5 1/2	1 1/16	5 1/4	8	8 1/2	9 1/2	1	8 3/16	13/32	20 3/4
	215JM	7	1 1/16	5 1/4	8	8 1/2	9 1/2	1	8 3/16	13/32	21 7/8
40-125 ^{A/B}	182JM	4 1/2	-1/16	4 1/2	6 1/2	7 1/2	8 1/2	1	7 3/16	13/32	19 3/16
	184JM	5 1/2	-1/16	4 1/2	6 1/2	7 1/2	8 1/2	1	7 3/16	13/32	20 3/4
40-160	184JM	5 1/2	11/16	4 1/2	6 1/2	7 1/2	8 1/2	1	7 3/16	13/32	22 1/8
	213JM	5 1/2	-1/16	5 1/4	8	8 1/2	9 1/2	1	8 3/16	13/32	20 3/4
	215JM	7	-1/16	5 1/4	8	8 1/2	9 1/2	1	8 3/16	13/32	21 7/8
40-200	215JM	7	1 1/16	5 1/4	8	8 1/2	9 1/2	1	8 3/16	13/32	22 11/16
50-125	184JM	5 1/2	11/16	4 1/2	6 1/2	7 1/2	8 1/2	1	7 3/16	13/32	22 15/16
	213JM	5 1/2	-1/16	5 1/4	8	8 1/2	9 1/2	1	8 3/16	13/32	21 9/16
	215JM	7	-1/16	5 1/4	8	8 1/2	9 1/2	1	8 3/16	13/32	22 11/16
50-160	213JM	5 1/2	1 1/16	5 1/4	8	8 1/2	9 1/2	1	8 3/16	13/32	21 9/16
	215JM	7	1 1/16	5 1/4	8	8 1/2	9 1/2	1	8 3/16	13/32	22 11/16

Remarks:

1. "e" dimensions (-) means H<f.
In this case, need distance piece under the pump.
2. "F" dimension indicate maximum dimension.

Pump Dimensions



3U 4-Pole TEFC Motor

Model	HP	Phase	JM Frame	b	e	f	g	I1	I2	I3	I4	P	S3	F
32-200	1	3	143JM	5	2 13/16	3.5	5.94	5 1/2	7 1/4	1 3/4	5/16	7 9/16	11/32	19 13/16
	1	1	145JM	5	2 13/16	3.5	5.94	5 1/2	7 1/4	1 3/4	5/16	7 9/16	11/32	19 13/16
	1.5	3	145JM	5	2 13/16	3.5	5.94	5 1/2	7 1/4	1 3/4	5/16	7 9/16	11/32	19 5/8
	1.5	1	145JM	5	2 13/16	3.5	5.94	5 1/2	7 1/4	1 3/4	5/16	7 9/16	11/32	20 13/16
40-160	1	1	145JM	5	2 13/16	3.5	5.94	5 1/2	7 1/4	1 3/4	5/16	7 9/16	11/32	19 13/16
	1	3	143JM	5	1 11/16	3.5	5.94	5 1/2	7 1/4	1 3/4	5/16	7 1/2	11/32	19 3/4
40-200A/B	1.5	3	145JM	5	2 13/16	3.5	5.94	5 1/2	7 1/4	1 3/4	5/16	7 3/8	11/32	18 3/4
	2	3	145JM	5	2 13/16	3.5	5.94	5 1/2	7 1/4	1 3/4	5/16	7 3/8	11/32	18 3/4
50-125	1	3	143JM	5	1 11/16	3.5	5.94	5 1/2	7 1/4	1 3/4	5/16	7 3/8	11/32	19 5/8
50-160	1.5	1	145JM	5	2 13/16	3.5	5.94	5 1/2	7 1/4	1 3/4	5/16	7 3/8	11/32	20 13/16
	1.5	3	145JM	5	2 13/16	3.5	5.94	5 1/2	7 1/4	1 3/4	5/16	7 3/8	11/32	19 5/8
	2	3	145JM	5	2 13/16	3.5	5.94	5 1/2	7 1/4	1 3/4	5/16	7 3/8	11/32	19 5/8

3U 4-Pole ODP Motor

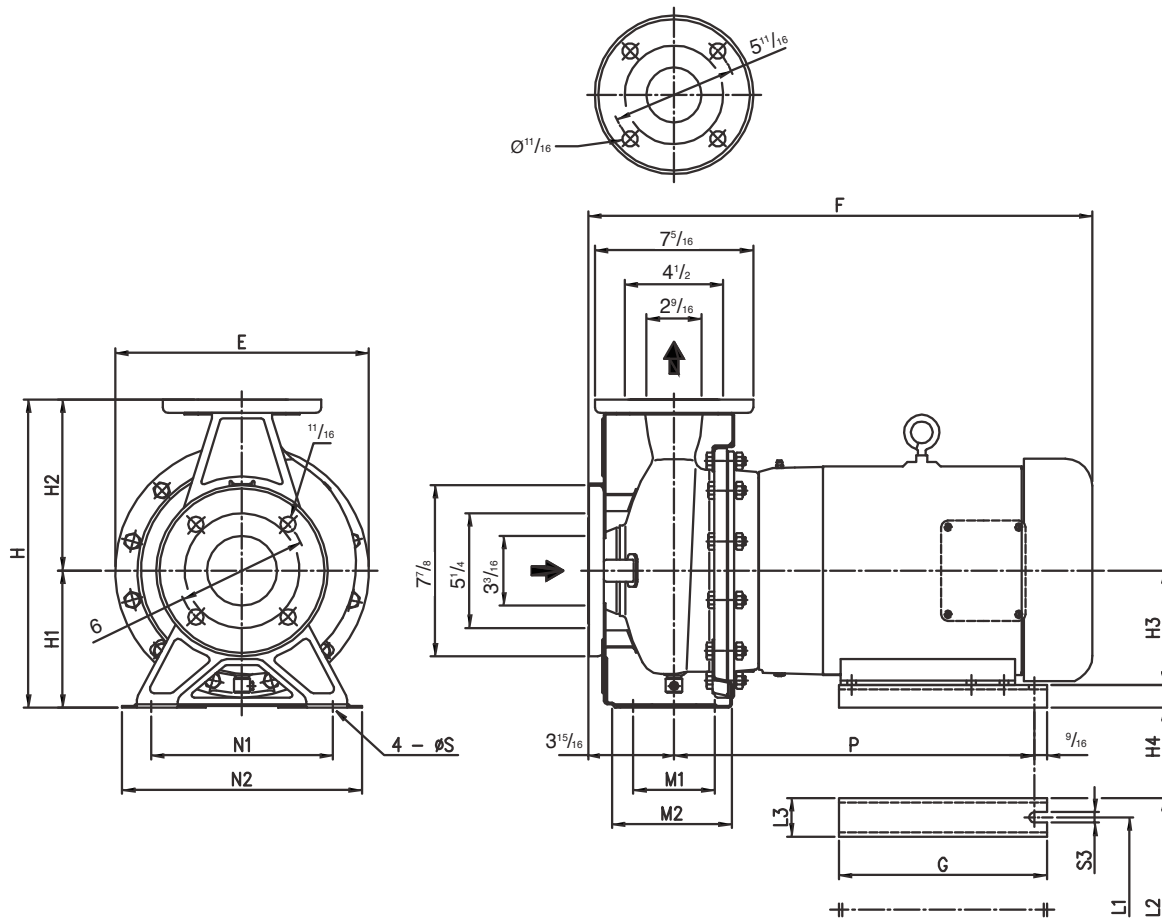
Model	HP	Phase	JM Frame	b	e	f	g	I1	I2	I3	I4	P	S3	F
32-200	1	3	143JM	5	2 13/16	3.5	5.94	5 1/2	7 1/4	1 3/4	5/16	7 9/16	11/32	18 15/16
	1.5	3	145JM	5	2 13/16	3.5	5.94	5 1/2	7 1/4	1 3/4	5/16	7 9/16	11/32	18 15/16
40-160	1	3	143JM	5	1 11/16	3.5	5.94	5 1/2	7 1/4	1 3/4	5/16	7 1/2	11/32	18 7/8
40-200A/B	1.5	3	145JM	5	2 13/16	3.5	5.94	5 1/2	7 1/4	1 3/4	5/16	7 3/8	11/32	18 3/4
	1.5	3	145JM	5	2 13/16	3.5	5.94	5 1/2	7 1/4	1 3/4	5/16	7 3/8	11/32	19 5/8
	2	3	145JM	5	2 13/16	3.5	5.94	5 1/2	7 1/4	1 3/4	5/16	7 3/8	11/32	19 5/8
50-125	1	3	143JM	5	1 11/16	3.5	5.94	5 1/2	7 1/4	1 3/4	5/16	7 3/8	11/32	18 3/4

Model 3UB

EBARA Stainless Steel Centrifugal Pumps

Dimensions

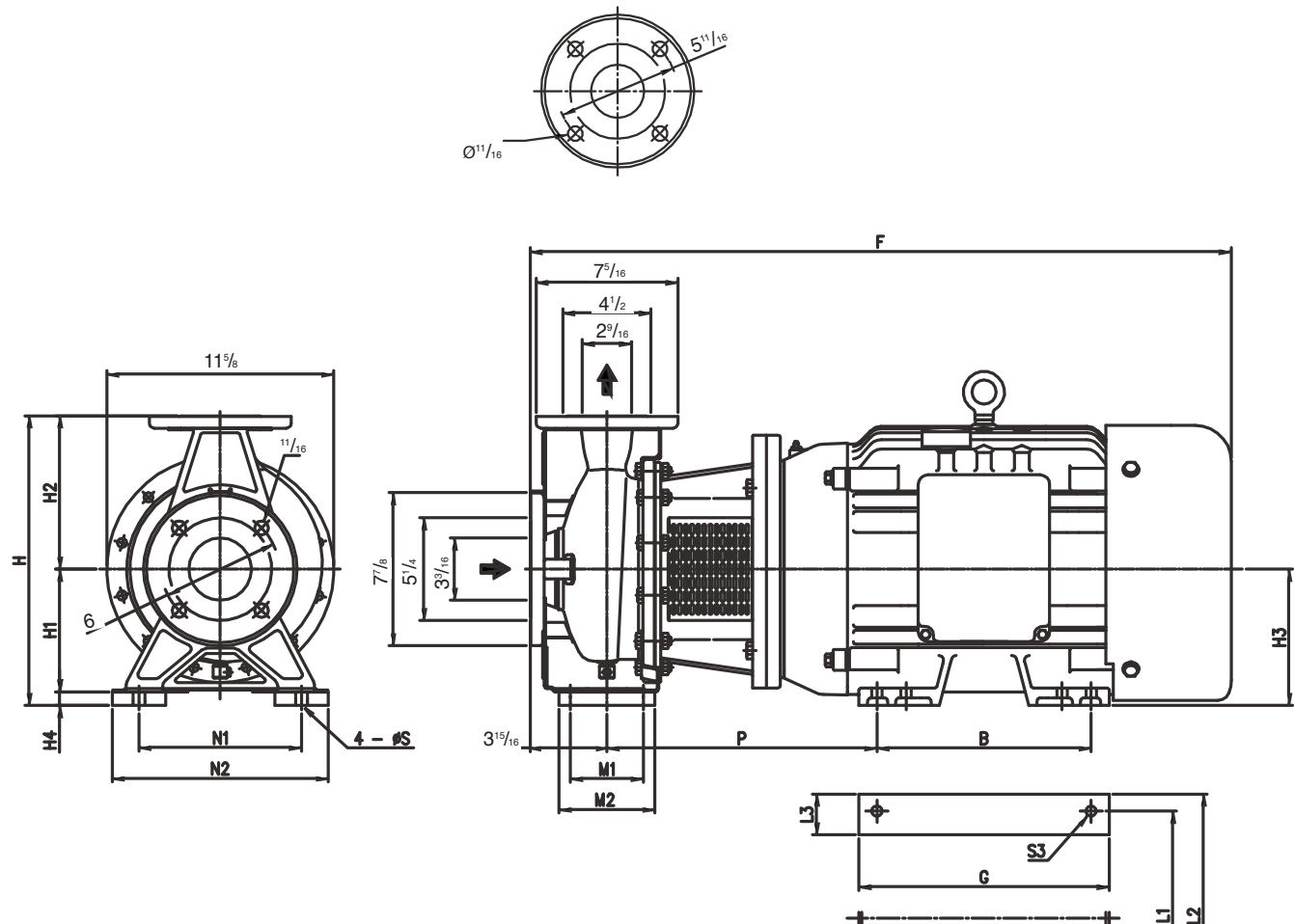
3UB Type 1



Dimensions: inch

MODEL	SIZE	TYPE	E	F	G	H	H ₁	H ₂	H ₃	H ₄	L ₁	L ₂	L ₃	M ₁	M ₂	N ₁	N ₂	P	S	S ₃
3U 65-125/7.5	2 1/2 x 3 x 4 7/8	1	10	23 3/16	9 9/16	13 3/8	6 5/16	7 1/16	5 1/4	1 1/16	8 1/2	10 1/4	1 3/4	3 3/4	5 1/2	8 3/8	11	16 9/16	9/16	1/2
3U 65-125/10	2 1/2 x 3 x 5 5/16	1	10	23 3/16	9 9/16	13 3/8	6 5/16	7 1/16	5 1/4	1 1/16	8 1/2	10 1/4	1 3/4	3 3/4	5 1/2	8 3/8	11	16 9/16	9/16	1/2
3U 65-160/10	2 1/2 x 3 x 5 3/8	1	11 5/8	23 3/16	9 9/16	14 3/16	6 5/16	7 7/8	5 1/4	1 1/16	8 1/2	10 1/4	1 3/4	3 3/4	5 1/2	8 3/8	11	16 9/16	9/16	1/2
3U 65-160/15	2 1/2 x 3 x 5 7/8	1	11 5/8	23 3/16	9 9/16	14 3/16	6 5/16	7 7/8	5 1/4	1 1/16	8 1/2	10 1/4	1 3/4	3 3/4	5 1/2	8 3/8	11	16 9/16	9/16	1/2





Dimensions: inch

MODEL	SIZE	TYPE	B	F	G	H	H ₁	H ₂	H ₃	H ₄	L ₁	L ₂	L ₃	M ₁	M ₂	N ₁	N ₂	P	S	S ₃
3U 65-160/20	2 1/2 x 3 x 6 5/16	3	10	32 3/8	11 5/8	14 3/16	6 5/16	7 7/8	6 1/4	1/16	10	12 3/8	2 3/8	3 3/4	5 1/2	8 3/8	11	13 13/16	9/16	17/32
3U 65-160/25	2 1/2 x 3 x 6 7/8	3	11	36	12 3/16	14 7/8	6 5/16	7 7/8	7	11/16	11	12 3/4	-	3 3/4	4 15/16	8 3/8	11 1/8	13 7/8	9/16	17/32
3U 65-200/20	2 1/2 x 3 x 6 3/4	3	3/4	32 3/8	13 9/16	15 15/16	7 1/16	8 7/8	6 1/4	13/16	10	12 3/8	2 3/8	3 3/4	5 1/2	9 13/16	12 5/8	25 13/16	9/16	9/16
3U 65-200/25	2 1/2 x 3 x 7 1/16	3	11	36	13	15 15/16	7 1/16	8 7/8	7	1/16	11	12 15/16	1 15/16	3 3/4	5 1/2	9 13/16	12 5/8	13 7/8	9/16	17/32
3U 65-200/30	2 1/2 x 3 x 7 1/2	3	11	36	13	15 15/16	7 1/16	8 7/8	7	1/16	11	12 15/16	1 15/16	3 3/4	5 1/2	9 13/16	12 5/8	13 7/8	9/16	17/32