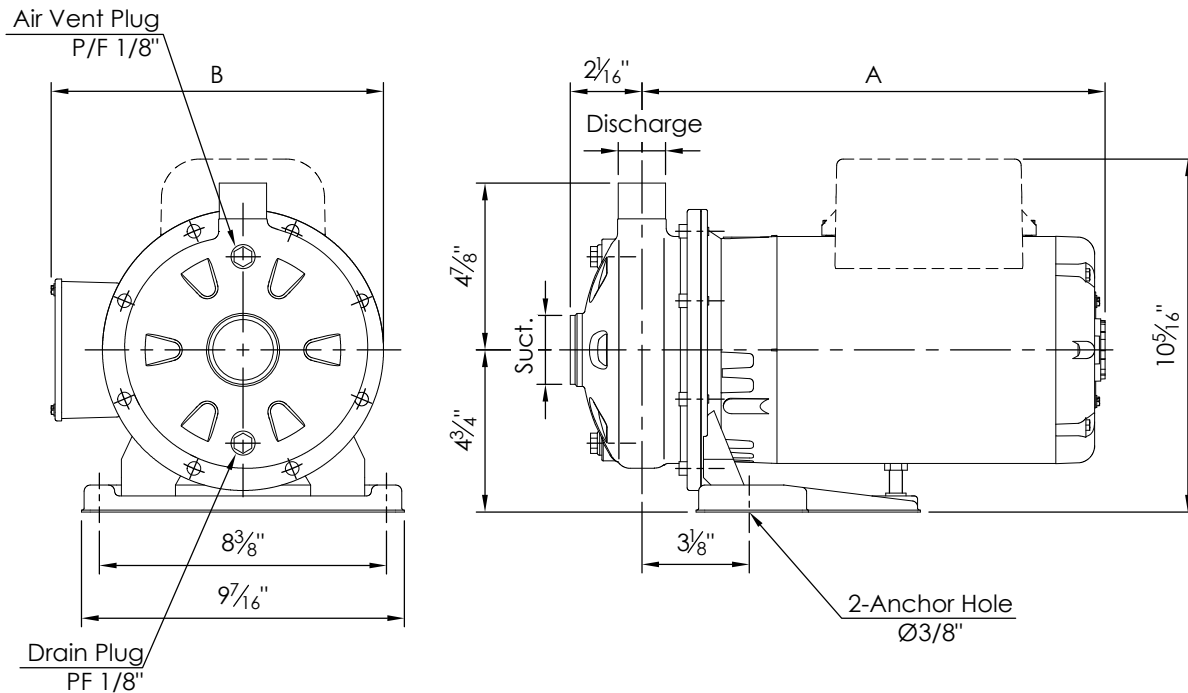


**Model CDU**

**EBARA Stainless Steel Centrifugal Pumps**

**Pump Dimensions**



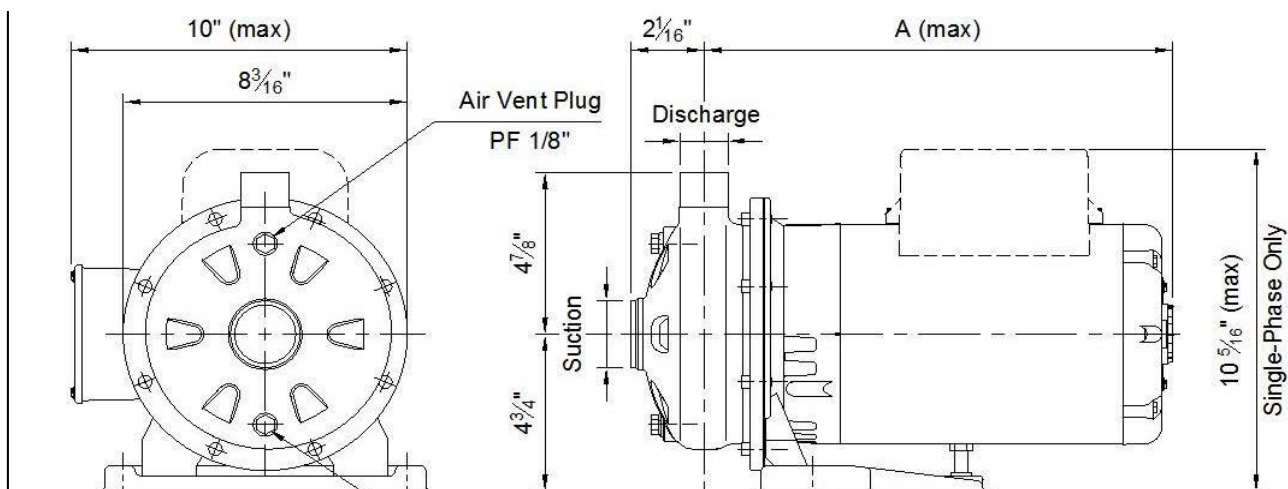
**Model CDU, 2-Pole Motor**

Model	Size	Pump Size – NPT (Inch)		Dimension (Inch) A	Unit Weight (lbs.)			
		Suction	Discharge		Single Phase		Three Phase	
				ODP	TEFC	ODP	TEFC	
CDU70/0-1/2HP	1 x 1 <sup>1</sup> / <sub>4</sub> x 4 <sup>1</sup> / <sub>2</sub>	1 <sup>1</sup> / <sub>4</sub>	1	14 11/16	36	41	31	31
CDU70/1-3/4HP	1 x 1 <sup>1</sup> / <sub>4</sub> x 4 <sup>1</sup> / <sub>2</sub>	1 <sup>1</sup> / <sub>4</sub>	1	15 3/16	36	41	31	31
CDU70/3-1 1/2HP	1 x 1 <sup>1</sup> / <sub>4</sub> x 5 <sup>3</sup> / <sub>16</sub>	1 <sup>1</sup> / <sub>4</sub>	1	16 3/16	47	50	39	39
CDU70/5A-2HP	1 x 1 <sup>1</sup> / <sub>4</sub> x 6 <sup>3</sup> / <sub>16</sub>	1 <sup>1</sup> / <sub>4</sub>	1	16 5/8	51	58	44	48
CDU70/5B-2HP	1 x 1 <sup>1</sup> / <sub>4</sub> x 6 <sup>3</sup> / <sub>16</sub>	1 <sup>1</sup> / <sub>4</sub>	1	16 5/8	51	58	44	48
CDU120/1-1HP	1 x 1 <sup>1</sup> / <sub>4</sub> x 4 <sup>1</sup> / <sub>2</sub>	1 <sup>1</sup> / <sub>4</sub>	1	15 11/16	41	46	33	32
CDU120/3-1 1/2HP	1 x 1 <sup>1</sup> / <sub>4</sub> x 5 <sup>3</sup> / <sub>16</sub>	1 <sup>1</sup> / <sub>4</sub>	1	16 3/16	47	50	39	39
CDU120/5-3HP	1 x 1 <sup>1</sup> / <sub>4</sub> x 6 <sup>3</sup> / <sub>16</sub>	1 <sup>1</sup> / <sub>4</sub>	1	17 3/8	59	66	51	60
CDU200/1-1 1/2HP	1 x 1 <sup>1</sup> / <sub>2</sub> x 4 <sup>1</sup> / <sub>2</sub>	1 <sup>1</sup> / <sub>2</sub>	1	16 3/16	47	50	39	39
CDU200/3-3HP	1 x 1 <sup>1</sup> / <sub>2</sub> x 5 <sup>3</sup> / <sub>16</sub>	1 <sup>1</sup> / <sub>2</sub>	1	17 3/8	58	65	50	59
CDU200/5-3HP	1 x 1 <sup>1</sup> / <sub>2</sub> x 5 <sup>11</sup> / <sub>16</sub>	1 <sup>1</sup> / <sub>2</sub>	1	17 3/8	58	65	50	59

**Model CDU, 4-Pole Motor**

Model	Size	Pump Size – NPT (Inch)		Dimension (Inch) A	Unit Weight (lbs.)			
		Suction	Discharge		Single Phase		Three Phase	
				ODP	TEFC	ODP	TEFC	
CDU4120/5-1/3HP	1 x 1 <sup>1</sup> / <sub>4</sub> x 6 <sup>3</sup> / <sub>16</sub>	1 <sup>1</sup> / <sub>4</sub>	1	13 <sup>11</sup> / <sub>16</sub>	32	31	31	30
CDU4200/5-1/2HP	1 x 1 <sup>1</sup> / <sub>2</sub> x 5 <sup>11</sup> / <sub>16</sub>	1 <sup>1</sup> / <sub>2</sub>	1	14 <sup>11</sup> / <sub>16</sub>	35	31	31	31

### Pump Dimensions



Dimensions: inch

Phase	Model	HP	A	B	C	H	H1	H2	H3 [3-]	M	M1	N	N1	R	V [3-]
Three	CDX 70/076	0.75	8 3/16	12 5/8	7 1/8	9 1/16	4 3/16	4 7/8	8 1/8	1 15/16	1 1/2	4 3/4	6 5/16	4 1/4	M16x1.5
	CDX 70/106	1	8 3/16	12 5/8	7 1/8	9 1/16	4 3/16	4 7/8	8 1/8	1 15/16	1 1/2	4 3/4	6 5/16	4 1/4	M16x1.5
	CDX 70/156	1.5	8 3/16	13 1/16	7 1/8	9 1/16	4 3/16	4 7/8	8 1/8	1 15/16	1 1/2	4 3/4	6 5/16	4 1/4	M16x1.5
	CDX 120/106	1	8 3/16	12 5/8	7 1/8	9 1/16	4 3/16	4 7/8	8 1/8	1 15/16	1 1/2	4 3/4	6 5/16	4 1/4	M16x1.5
	CDX 120/156	1.5	8 3/16	13 1/16	7 1/8	9 1/16	4 3/16	4 7/8	8 1/8	1 15/16	1 1/2	4 3/4	6 5/16	4 1/4	M16x1.5
	CDX 120/206	2	8 3/16	14 1/8	7 13/16	9 1/16	4 3/16	4 7/8	8 7/8	2 3/16	1 9/16	5 1/2	7 1/16	4 1/8	M20x1.5
	CDX 200/156	1.5	8 3/16	12 5/8	7 1/8	9 1/16	4 3/16	4 7/8	8 1/8	1 15/16	1 1/2	4 3/4	6 5/16	4 1/4	M16x1.5
	CDX 200/206	2	8 3/16	14 1/8	7 13/16	9 1/16	4 3/16	4 7/8	8 7/8	2 3/16	1 9/16	5 1/2	7 1/16	4 1/8	M20x1.5
CDX 200/306	3	9 1/8	14 1/8	7 13/16	9 13/16	4 5/8	5 3/16	9 5/16	2 3/16	1 9/16	5 1/2	7 1/16	4 1/8	M20x1.5	

Dimensions: mm

Phase	Model	HP	A	B	C	H	H1	H2	H3 [3-]	M	M1	N	N1	R	V [3-]
Three	CDX 70/076	0.75	208	320	181	229.5	106	123.5	207	50	38	120	160	108	M16x1.5
	CDX 70/106	1	208	320	181	229.5	106	123.5	207	50	38	120	160	108	M16x1.5
	CDX 70/156	1.5	208	332	181	229.5	106	123.5	207	50	38	120	160	108	M16x1.5
	CDX 120/106	1	208	320	181	229.5	106	123.5	207	50	38	120	160	108	M16x1.5
	CDX 120/156	1.5	208	332	181	229.5	106	123.5	207	50	38	120	160	108	M16x1.5
	CDX 120/206	2	208	359	198.5	229.5	106	123.5	225	55	40	140	180	105.5	M20x1.5
	CDX 200/156	1.5	208	320	181	229.5	106	123.5	207	50	38	120	160	108	M16x1.5
	CDX 200/206	2	208	359	198.5	229.5	106	123.5	225	55	40	140	180	105.5	M20x1.5
CDX 200/306	3	232	359	198.5	250	118	132	237	55	40	140	180	105.5	M20x1.5	

Dimensions: inch

Phase	Model	HP	A	B	C	H	H1	H2	H4 [1-]	M	M1	N	N1	R	T [1-]
Single	CDXM 70/076	0.75	8 3/16	12 5/8	7 1/8	9 1/16	4 3/16	4 7/8	8 1/2	1 15/16	1 1/2	4 3/4	6 5/16	4 1/4	PG 11
	CDXM 70/106	1	8 3/16	12 5/8	7 1/8	9 1/16	4 3/16	4 7/8	8 1/2	1 15/16	1 1/2	4 3/4	6 5/16	4 1/4	PG 11
	CDXM 70/156	1.5	8 3/16	12 5/8	7 1/8	9 1/16	4 3/16	4 7/8	8 1/2	1 15/16	1 1/2	4 3/4	6 5/16	4 1/4	PG 11
	CDXM 120/106	1	8 3/16	12 5/8	7 1/8	9 1/16	4 3/16	4 7/8	8 1/2	1 15/16	1 1/2	4 3/4	6 5/16	4 1/4	PG 11
	CDXM 120/156	1.5	8 3/16	12 5/8	7 1/8	9 1/16	4 3/16	4 7/8	8 1/2	1 15/16	1 1/2	4 3/4	6 5/16	4 1/4	PG 11
	CDXM 120/206	2	8 3/16	13 11/16	7 13/16	9 1/16	4 3/16	4 7/8	9 13/16	2 3/16	1 9/16	5 1/2	7 1/16	4 1/8	PG 13.5
	CDXM 200/156	1.5	8 3/16	12 5/8	7 1/8	9 1/16	4 3/16	4 7/8	8 1/2	1 15/16	1 1/2	4 3/4	6 5/16	4 1/4	PG 11
	CDXM 200/206	2	8 3/16	13 11/16	7 13/16	9 1/16	4 3/16	4 7/8	9 5/16	2 3/16	1 9/16	5 1/2	7 1/16	4 1/8	PG 13.5

Dimensions: mm

Phase	Model	HP	A	B	C	H	H1	H2	H4 [1-]	M	M1	N	N1	R	T [1-]
Single	CDXM 70/076	0.75	208	321	181	229.5	106	123.5	216	50	38	120	160	108	PG 11
	CDXM 70/106	1	208	321	181	229.5	106	123.5	216	50	38	120	160	108	PG 11
	CDXM 70/156	1.5	208	321	181	229.5	106	123.5	216	50	38	120	160	108	PG 11
	CDXM 120/106	1	208	321	181	229.5	106	123.5	216	50	38	120	160	108	PG 11
	CDXM 120/156	1.5	208	321	181	229.5	106	123.5	216	50	38	120	160	108	PG 11
	CDXM 120/206	2	208	347	198.5	229.5	106	123.5	249	55	40	140	180	105.5	PG 13.5
	CDXM 200/156	1.5	208	321	181	229.5	106	123.5	216	50	38	120	160	108	PG 11
	CDXM 200/206	2	208	347	198.5	229.5	106	123.5	237	55	40	140	180	105.5	PG 13.5

