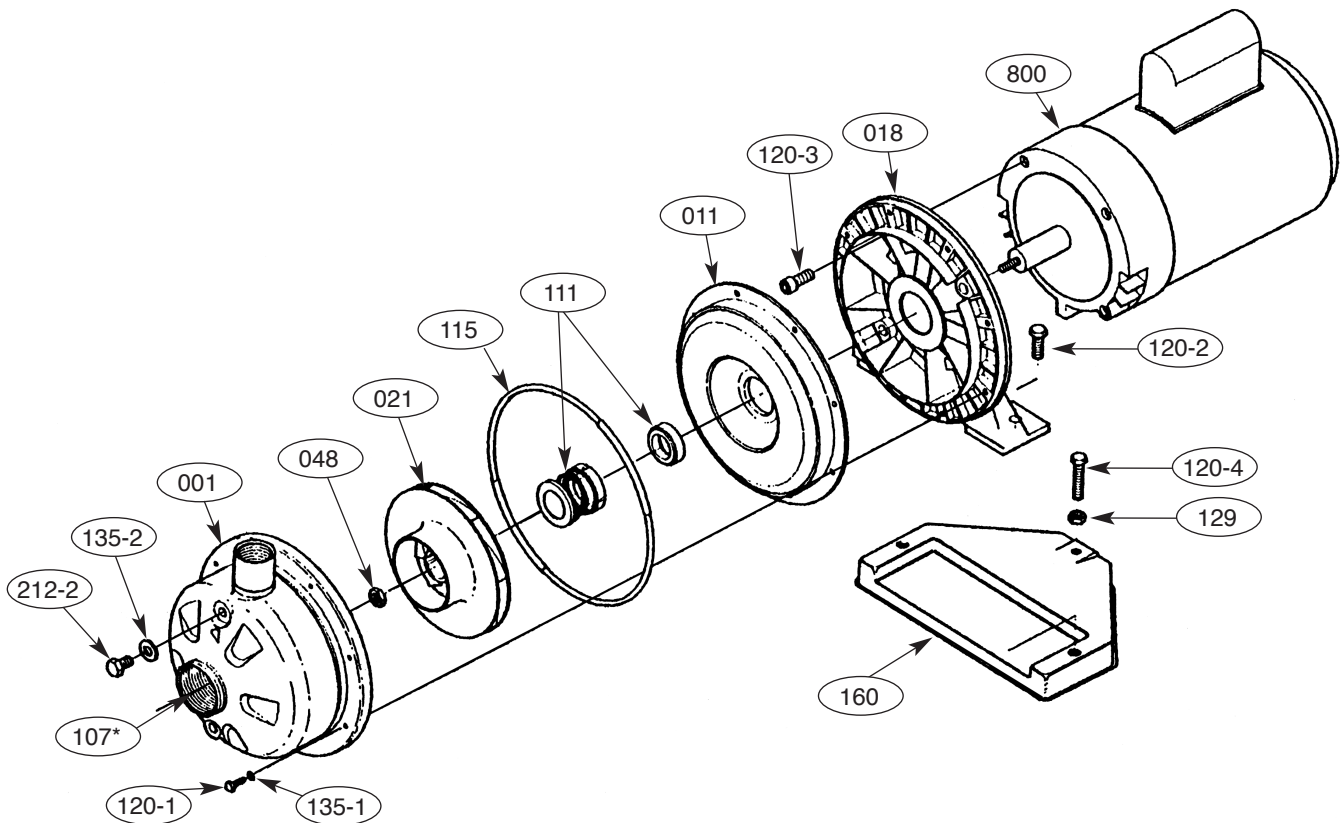


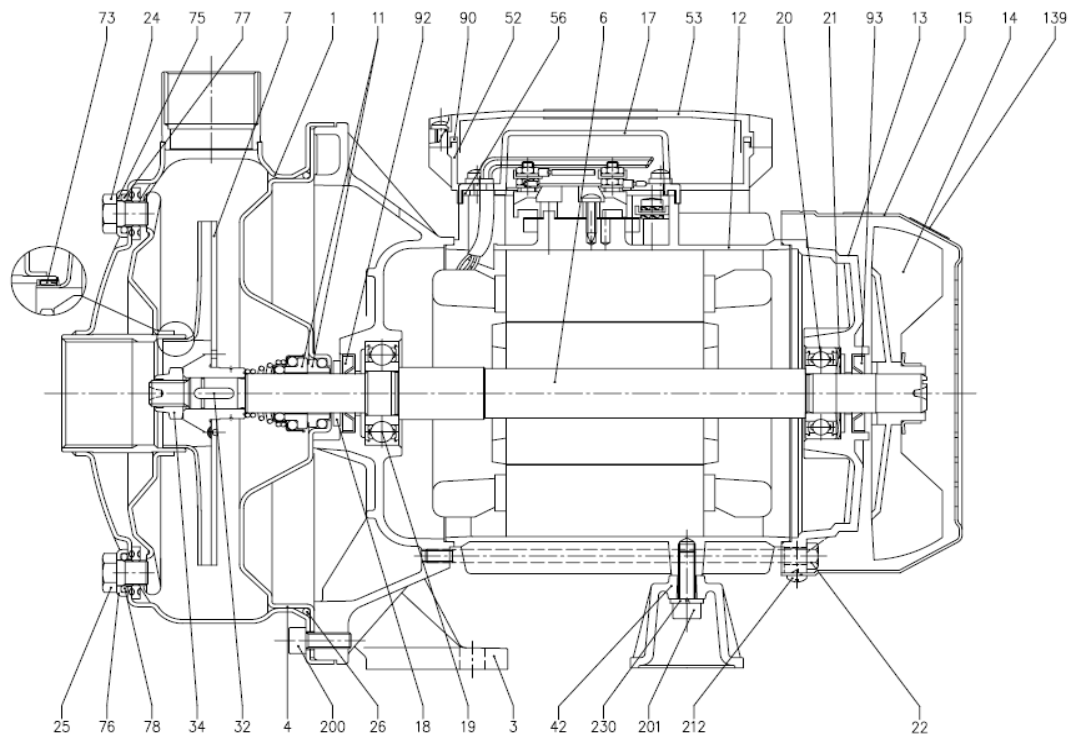
### Sectional View



Part No.	Part Name	Material	No. for 1 Unit
001	Casing	304L Stainless	1
011	Casing cover	304L Stainless	1
018	Bracket	Aluminum	1
021	Impeller	304L Stainless	1
048	Impeller nut	304L Stainless	1
107*	Casing ring (*CDU 70 series only)	Viton	1
111	Mechanical seal	—	1
115	O-Ring	Viton	1
120-1	Bolt	304L Stainless	8
120-2	Bolt	304L Stainless	2
120-3	Bolt	304L Stainless	4
120-4	Bolt	304L Stainless	1
129	Nut	304L Stainless	1
135-1	Washer	304L Stainless	8
135-2	Washer	304L Stainless	2
160	Base	Steel	1
212-2	Plug	304L Stainless	2
800	Motor	—	1



### Sectional View



CDX/CDXM Parts

Ref.	Name	Material	QTY.	Ref.	Name	Material	QTY.
1	Casing	304 Stainless	1	25	Drain plug	303 Stainless	1
3	Motor Bracket	Alum.	1	26	O-ring	Viton	1
4	Casing cover	304 Stainless	1	32	Key	316 Stainless	1
6	Shaft with rotor	303 Stainless	1	34	Impeller nut	304 Stainless	1
7	Impeller	304 Stainless	1	42	Motor support	Alum.	1
11	Mechanical seal	Carbon/Ceramic	1	52	Terminal box (Single phase only)	ABS	1
12	Motor frame		1	53	Terminal box cover	ABS	1
13	Motor cover	Alum.	1	56	Box gasket	Viton	1
14	Fan	PA	1	73	Casing ring	304 Stainless	1
15	Fan cover	Steel	1	75	Washer	304 Stainless	1
16	Terminal board		1	76	Washer	304 Stainless	1
17	Terminal box cover (Three phase only)	Alum.	1	77	O-ring	Viton	1
18	Splash ring	Viton	1	78	O-ring	Viton	1
19	Pump side ball bearing		1	90	Terminal box cover gasket (Single phase)	Viton	1
20	Fan side ball bearing		1	92	Lip seal		1
21	Adjusting ring	Steel	1	93	Lip seal		1
22	Tie rod	Steel	4	110	Protector (Single phase only)		1
23	Capacitor (Single phase only)		1	200	Screw		8
24	Priming plug	303 Stainless	1				