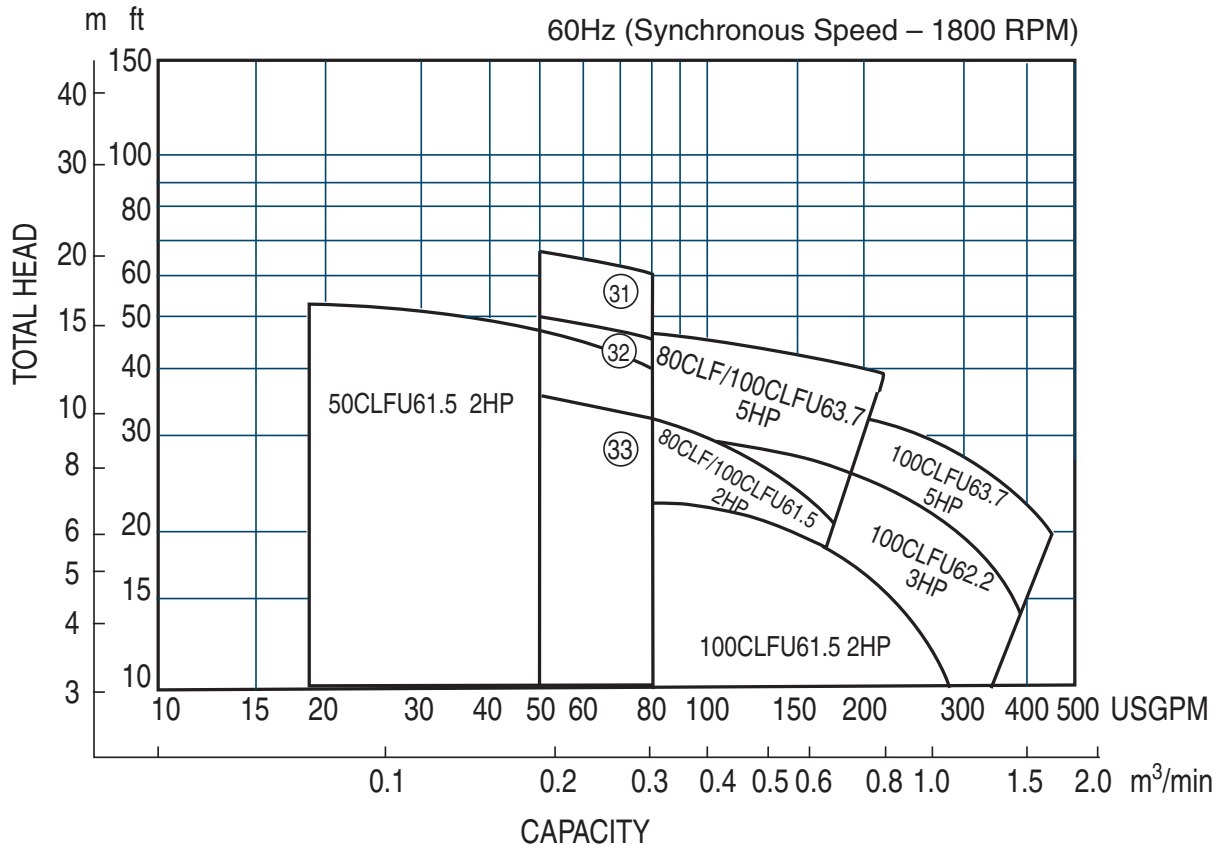


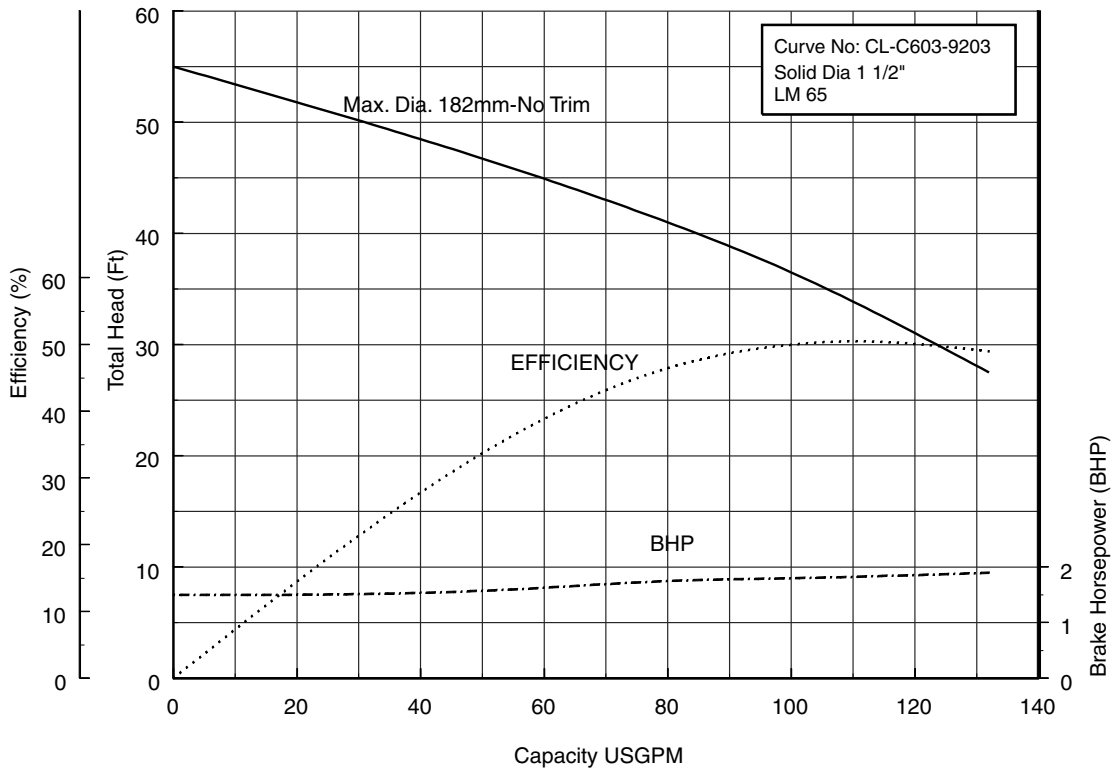
**Three Phase 60Hz**



31	80CLMFU63.7	5HP
32	80CLMFU62.2	3HP
33	80CLMFU61.5	2HP

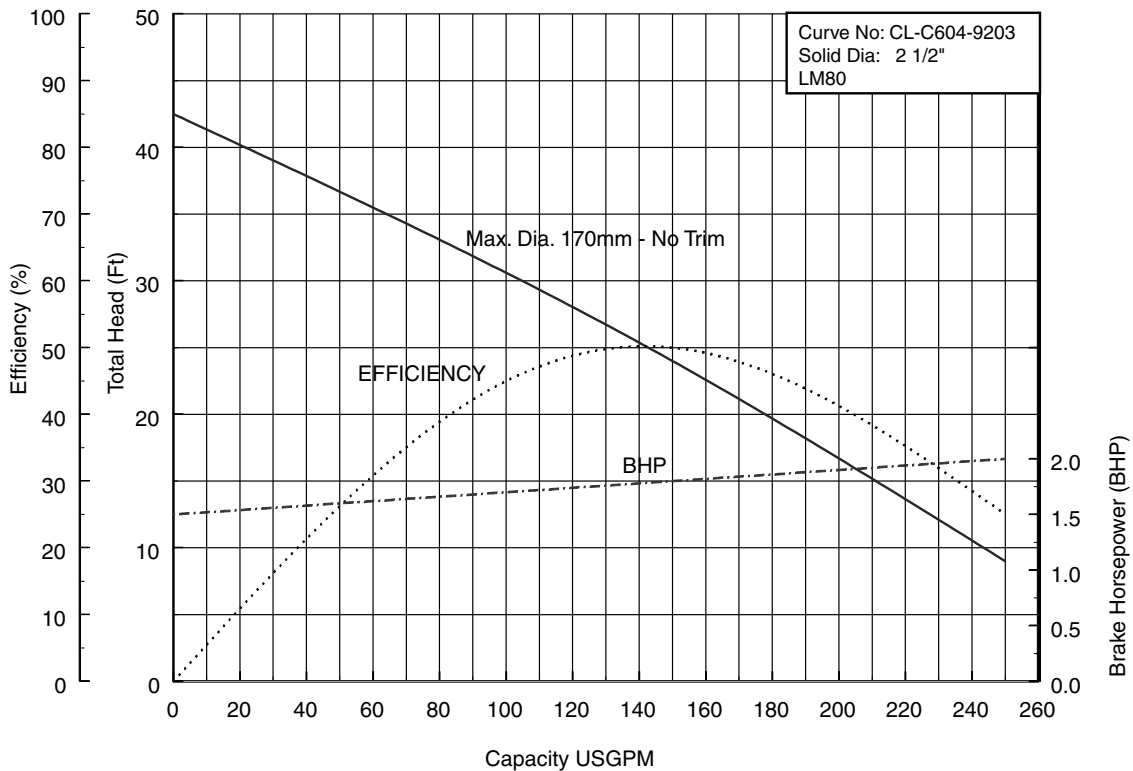
**50CLF61.5 (2HP) Synchronous Speed: 1800 RPM**

**2, 3 inch Discharge**



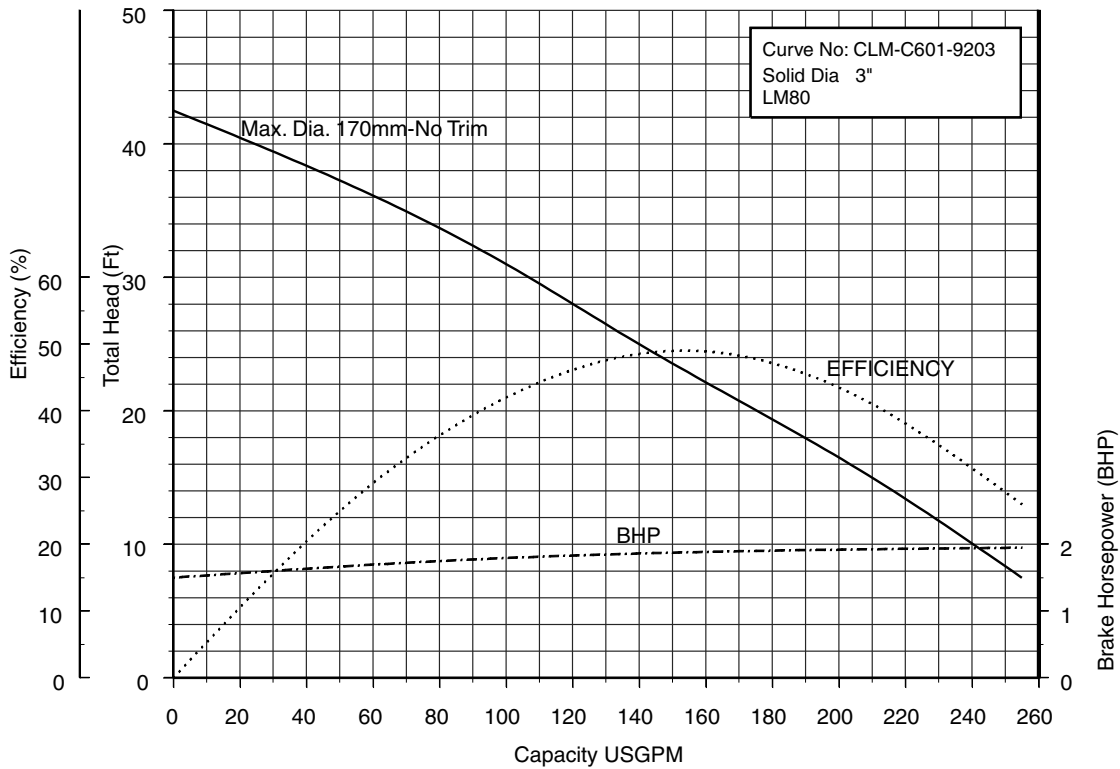
**80CLF61.5 (2HP) Synchronous Speed: 1800 RPM**

**3, 4 inch Discharge**



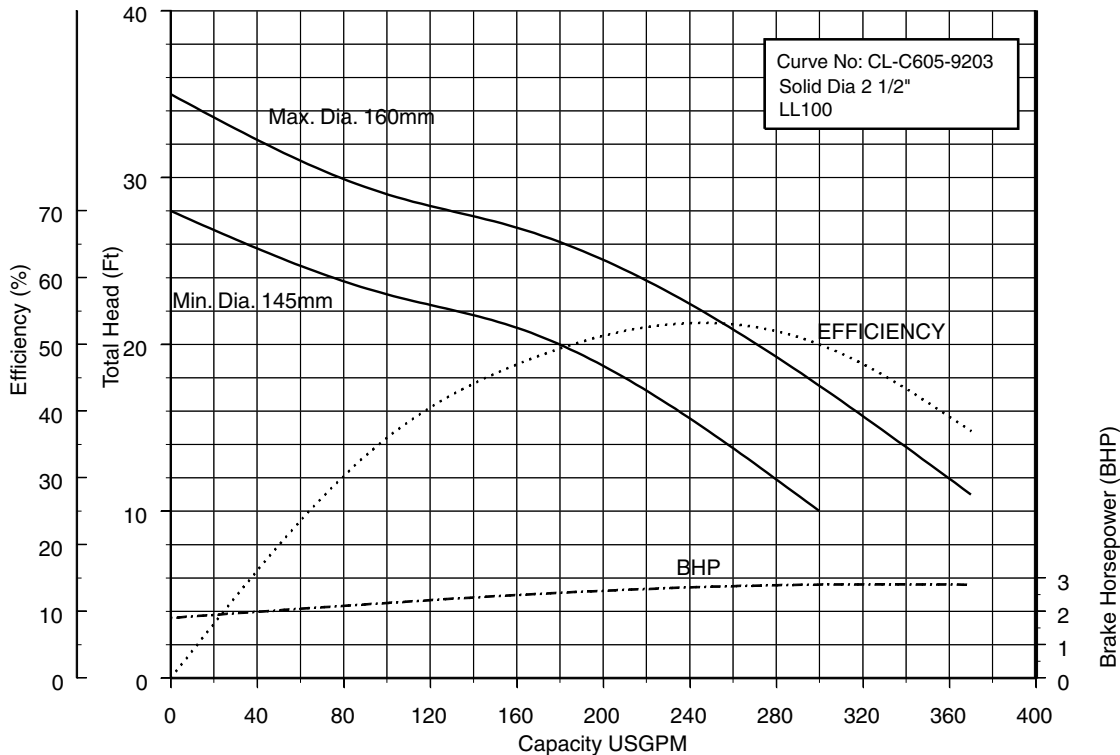
**80CLMF61.5 (2HP) Synchronous Speed: 1800 RPM**

**3, 4 inch Discharge**



**80CLF62.2 (3HP) Synchronous Speed: 1800 RPM**

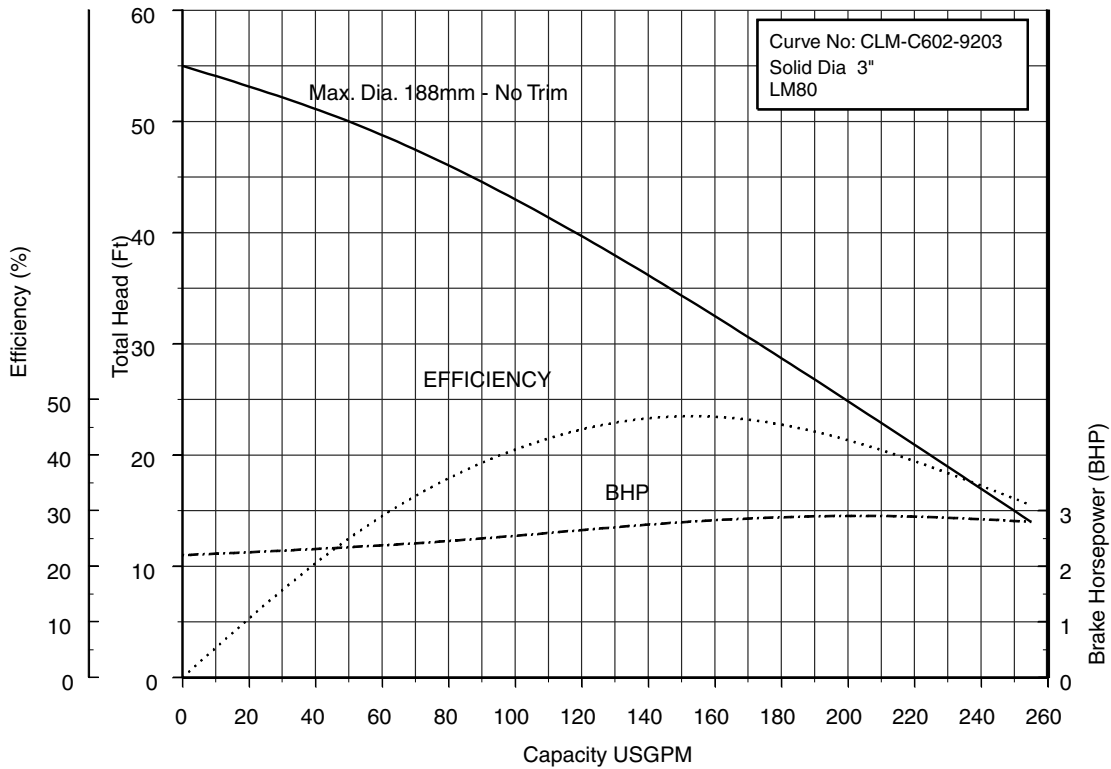
**3, 4 inch Discharge**



Performance Curves

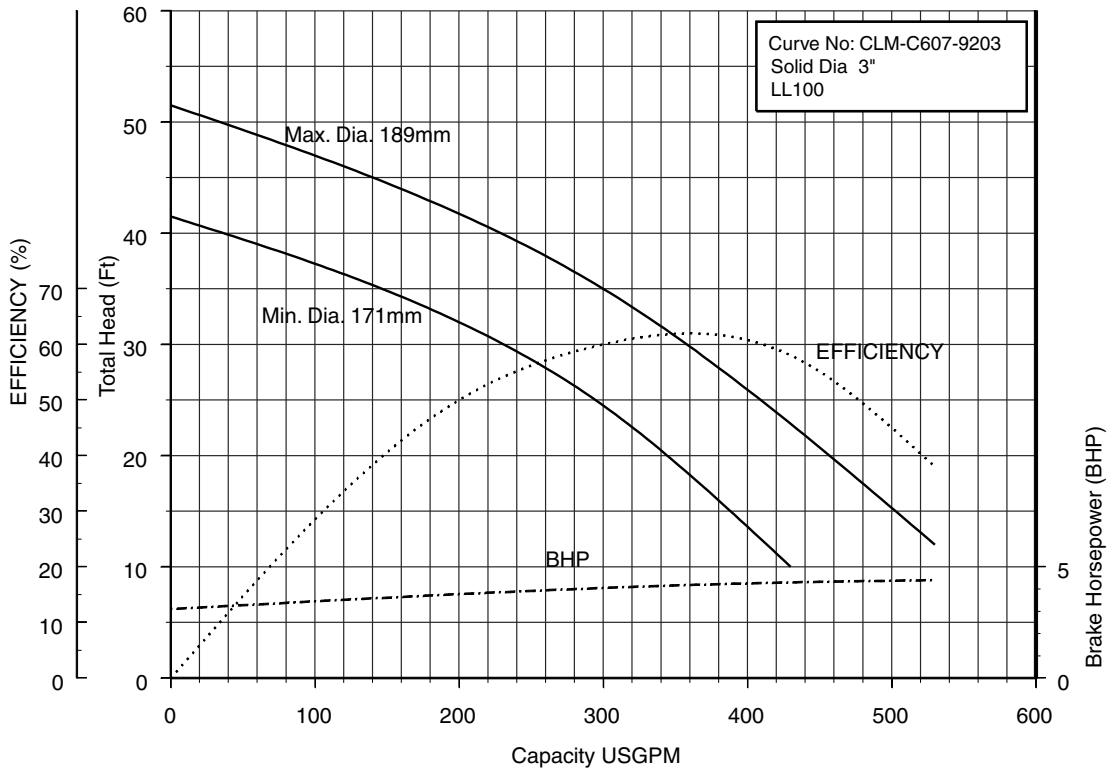
80CLMF62.2 (3HP) Synchronous Speed: 1800 RPM

3, 4 inch Discharge



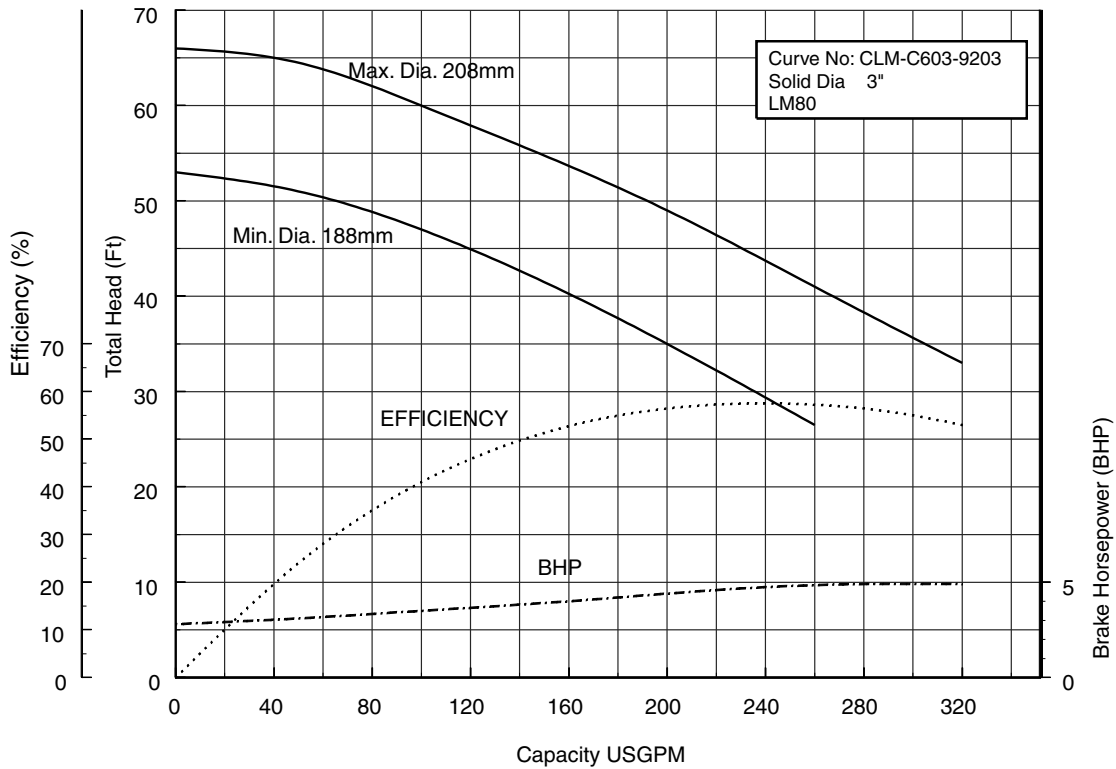
80CLF63.7 (5HP) Synchronous Speed: 1800 RPM

3, 4 inch Discharge



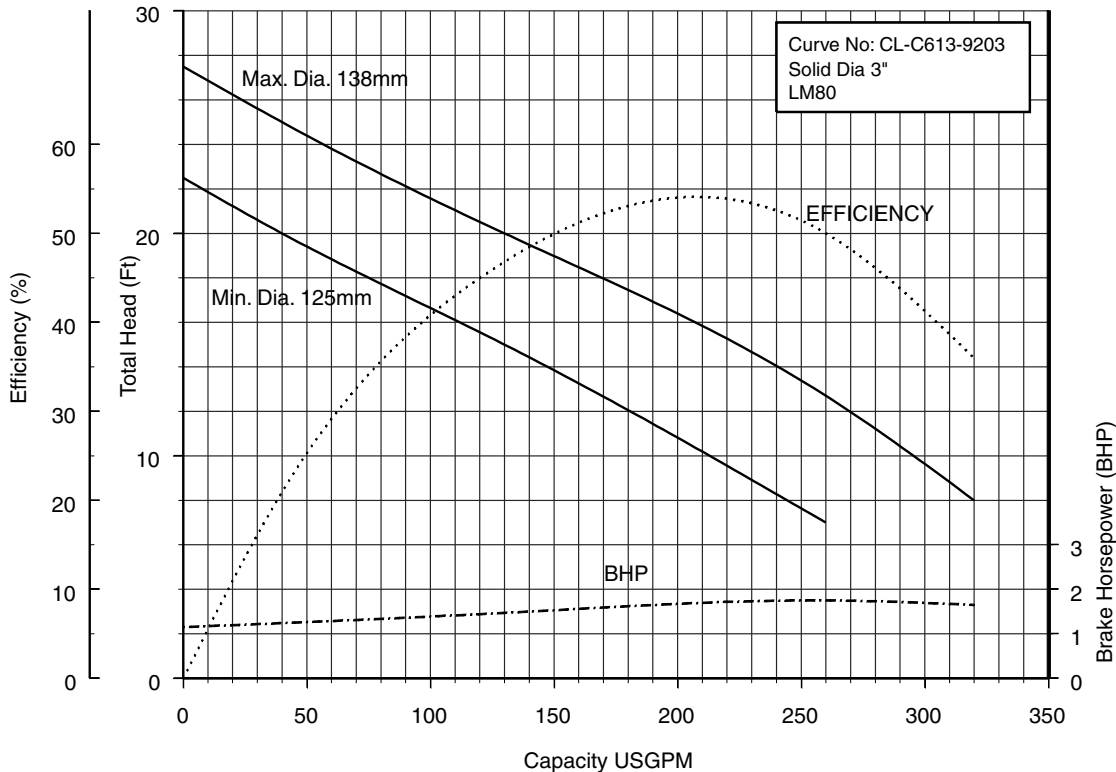
**80CLMF63.7 (5HP) Synchronous Speed: 1800 RPM**

**3, 4 inch Discharge**



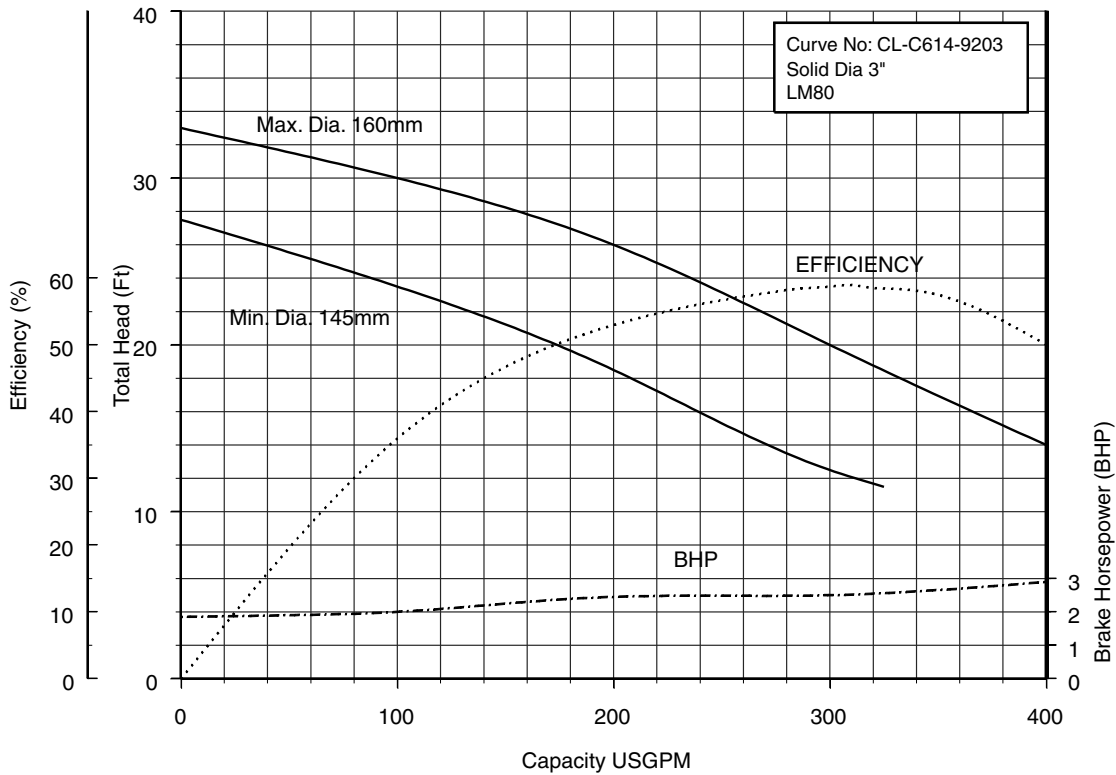
**100CLF61.5 (2HP) Synchronous Speed: 1800 RPM**

**3, 4 inch Discharge**



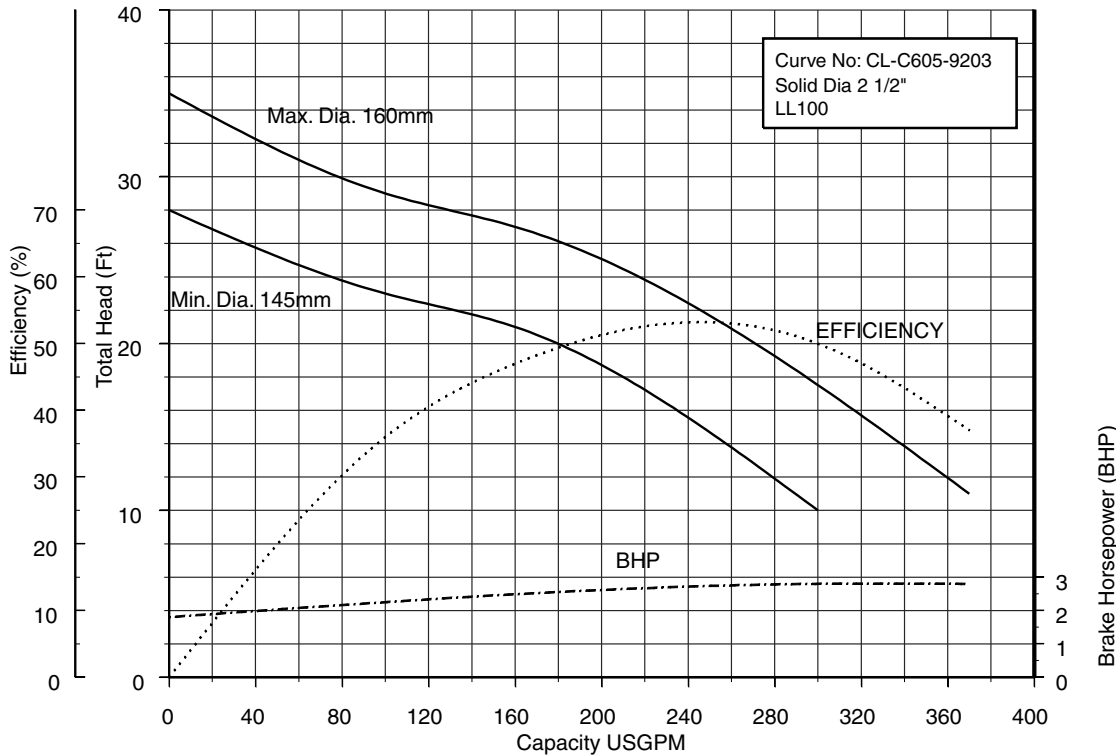
100CLF62.2 (3HP) Synchronous Speed: 1800 RPM

3, 4 inch Discharge



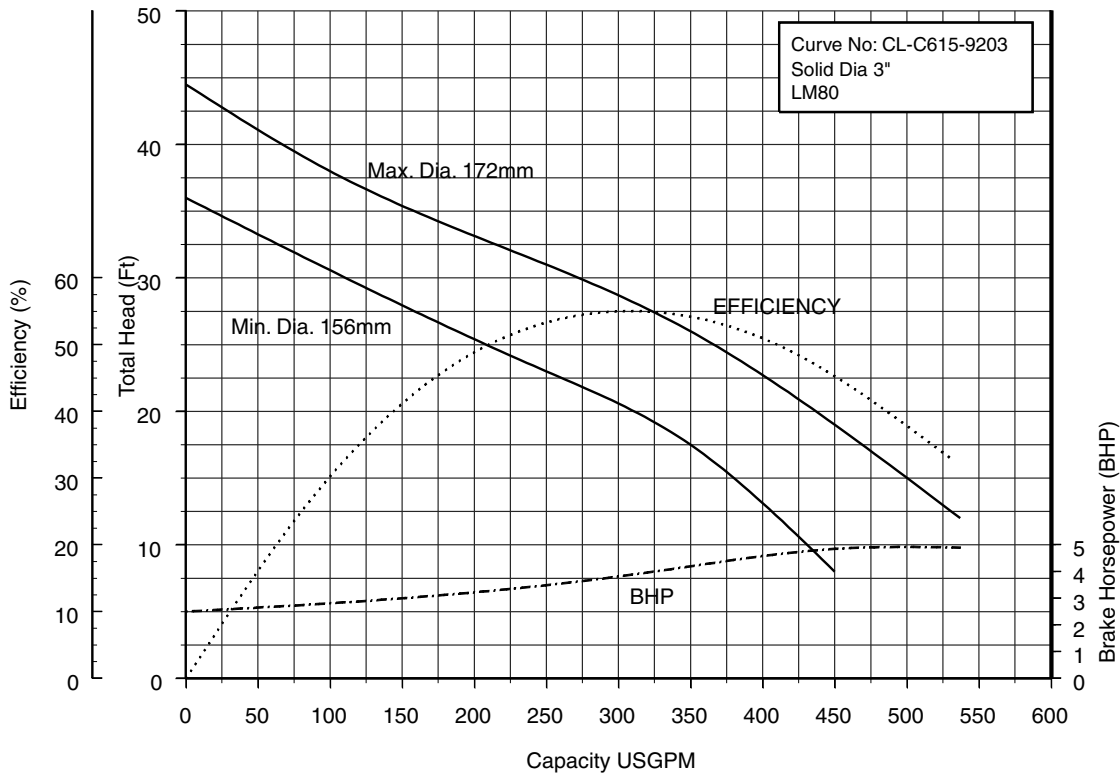
100CLMF62.2 (3HP) Synchronous Speed: 1800 RPM

3, 4 inch Discharge



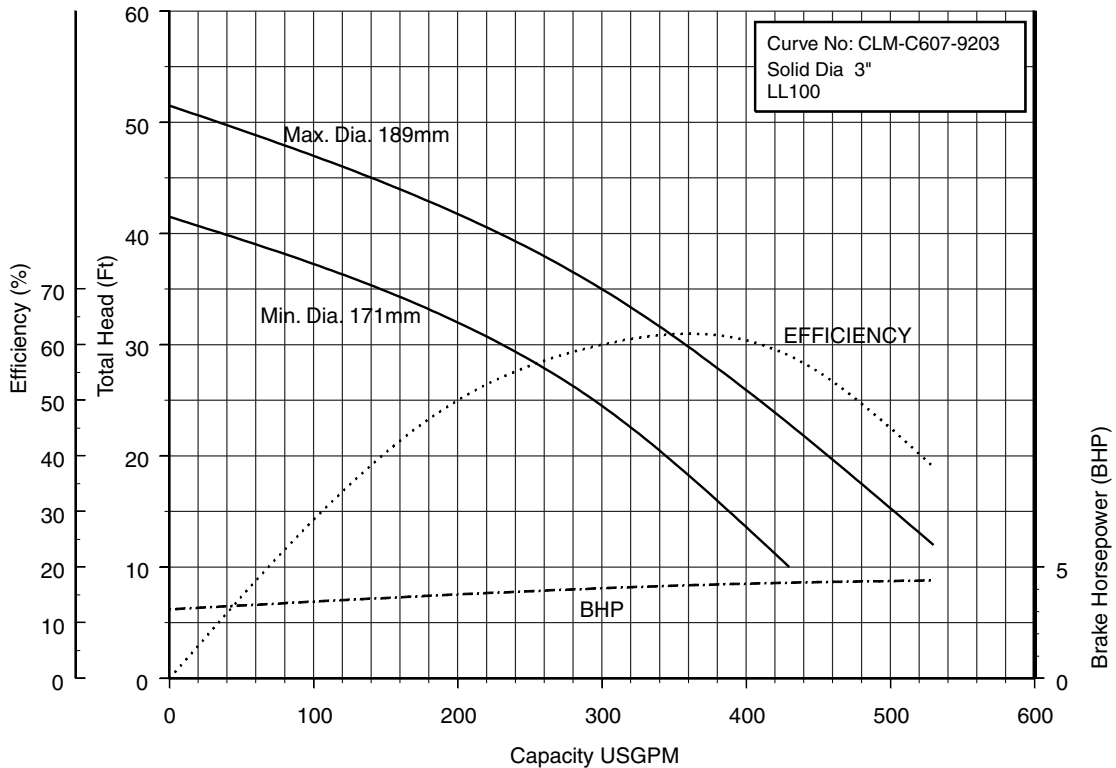
**100CLF63.7 (5HP) Synchronous Speed: 1800 RPM**

**3, 4 inch Discharge**



**100CLMF63.7 (5HP) Synchronous Speed: 1800 RPM**

**3, 4 inch Discharge**

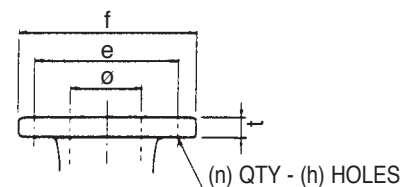
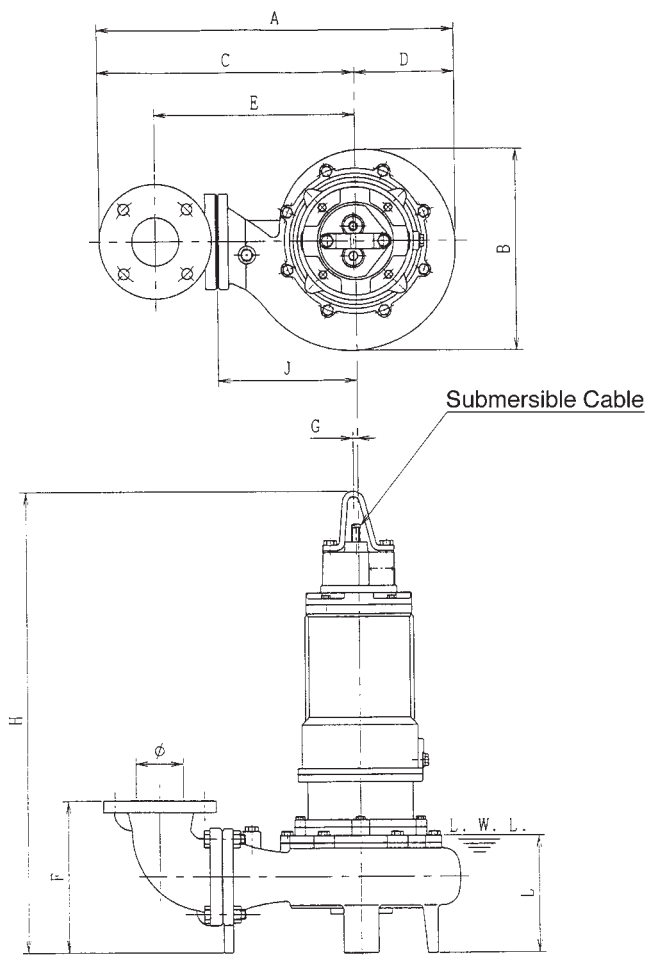


### Dimensions

#### Model CLFU

50CLFU, 2HP

80CLFU, 2 to 5HP



#### Flange (ANSI 125 PSI F.F)

inch					
ø	e	f	t	n	h
2	4 <sup>3</sup> / <sub>4</sub>	6	5 <sup>5</sup> / <sub>8</sub>	4	3 <sup>3</sup> / <sub>4</sub>
3	6	7 <sup>1</sup> / <sub>2</sub>	3 <sup>3</sup> / <sub>4</sub>	4	3 <sup>3</sup> / <sub>4</sub>

mm					
ø	e	f	t	n	h
50	121	152	16	4	19
80	152	191	19	4	19

### Dimensions: inch

PHASE	SIZE ø	MODEL	OUTPUT		PUMP & MOTOR										WEIGHT Lb
			kW	HP	A	B	C	D	E	F	G	H	J	L	
THREE	2/3	50DLFU61.5	1.5	2	17 <sup>11</sup> / <sub>16</sub>	10 <sup>1</sup> / <sub>8</sub>	12 <sup>5</sup> / <sub>8</sub>	5 <sup>1</sup> / <sub>16</sub>	9 <sup>5</sup> / <sub>8</sub>	7 <sup>7</sup> / <sub>8</sub>	5 <sup>5</sup> / <sub>16</sub>	27 <sup>11</sup> / <sub>16</sub>	7 <sup>1</sup> / <sub>16</sub>	6 <sup>5</sup> / <sub>16</sub>	132
		80DLFU61.5	1.5	2	20 <sup>3</sup> / <sub>4</sub>	11 <sup>1</sup> / <sub>2</sub>	15	5 <sup>3</sup> / <sub>4</sub>	11 <sup>1</sup> / <sub>4</sub>	8 <sup>11</sup> / <sub>16</sub>	5 <sup>5</sup> / <sub>16</sub>	28 <sup>1</sup> / <sub>2</sub>	8 <sup>1</sup> / <sub>4</sub>	7 <sup>1</sup> / <sub>16</sub>	148
	3/4	80DLFU62.2	2.2	3	23 <sup>13</sup> / <sub>16</sub>	13 <sup>3</sup> / <sub>16</sub>	17 <sup>3</sup> / <sub>16</sub>	6 <sup>5</sup> / <sub>8</sub>	13 <sup>3</sup> / <sub>8</sub>	9 <sup>13</sup> / <sub>16</sub>	5 <sup>5</sup> / <sub>16</sub>	30 <sup>1</sup> / <sub>4</sub>	9 <sup>1</sup> / <sub>4</sub>	8 <sup>1</sup> / <sub>16</sub>	209
		80DLFU63.7	3.7	5	23 <sup>13</sup> / <sub>16</sub>	13 <sup>3</sup> / <sub>16</sub>	17 <sup>3</sup> / <sub>16</sub>	6 <sup>5</sup> / <sub>8</sub>	13 <sup>3</sup> / <sub>8</sub>	9 <sup>13</sup> / <sub>16</sub>	5 <sup>5</sup> / <sub>16</sub>	31 <sup>13</sup> / <sub>16</sub>	9 <sup>1</sup> / <sub>4</sub>	8 <sup>1</sup> / <sub>16</sub>	209

### Dimensions: mm

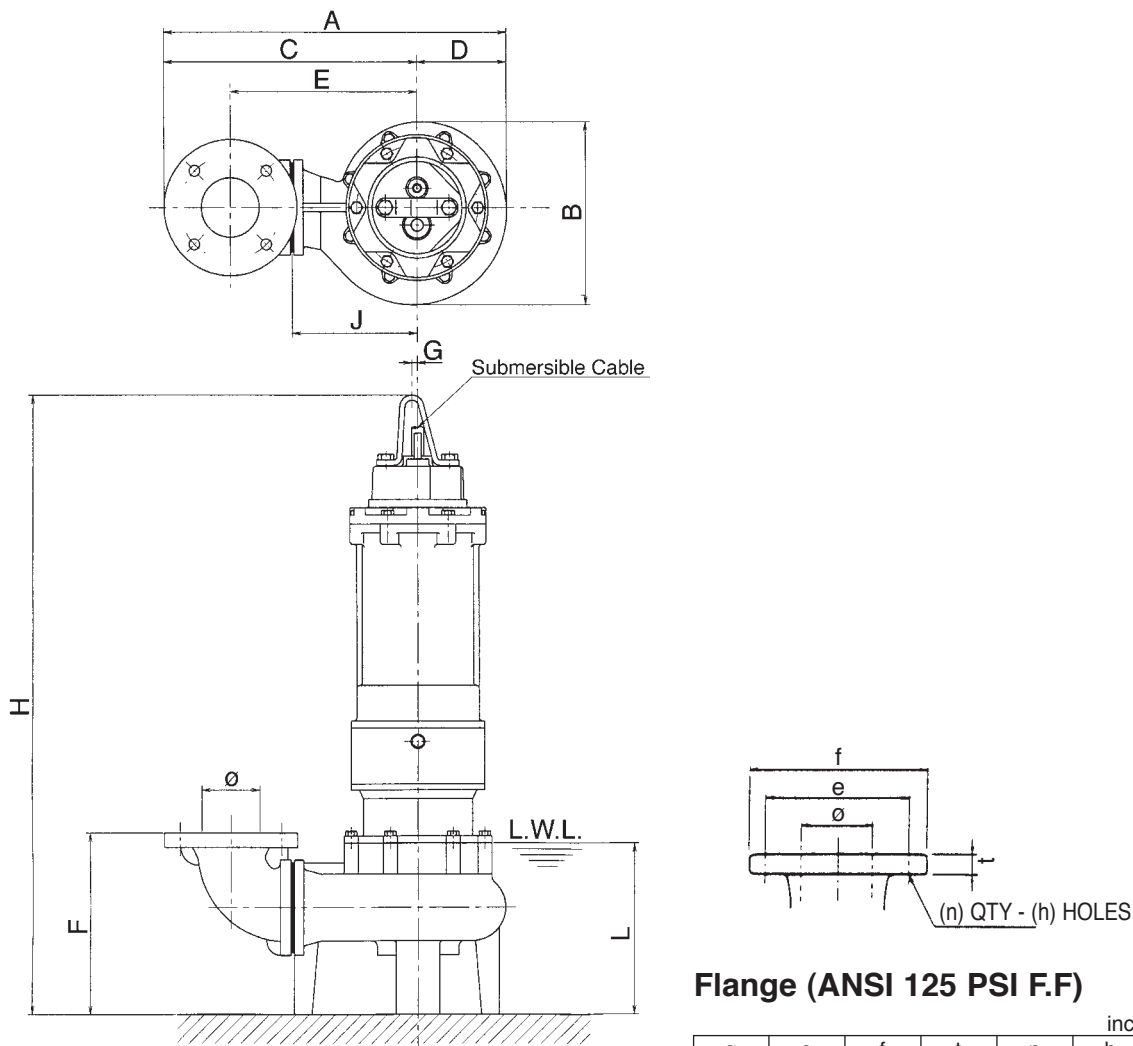
PHASE	SIZE ø	MODEL	OUTPUT		PUMP & MOTOR										WEIGHT kg
			kW	HP	A	B	C	D	E	F	G	H	J	L	
THREE	50/80	50DLFU61.5	1.5	2	450	257	321	129	245	200	8	703	180	160	60
		80DLFU61.5	1.5	2	527	292	381	146	285	220	8	724	210	180	67
	80/100	80DLFU62.2	2.2	3	605	335	436	169	340	250	8	768	235	205	95
		80DLFU63.7	3.7	5	605	335	436	169	340	250	8	808	235	205	95

**\*Note:** All 80DLFU dimensions are based on 3" discharge.



### Dimensions

### 80CLMFU, 2 to 5HP



**Flange (ANSI 125 PSI F.F)**

inch					
Ø	e	f	t	n	h
3	6	7 1/2	3/4	4	3/4
mm					
Ø	e	f	t	n	h
80	152	191	19	4	19

### Dimensions: inch

PHASE	SIZE Ø	MODEL	OUTPUT		PUMP & MOTOR										WEIGHT Lb
			kW	HP	A	B	C	D	E	F	G	H	J	L	
THREE	2/3	80CLMFU61.5	1.5	2	20 3/4	11 1/2	15	5 3/4	11 1/4	8 11/16	5/16	28 1/2	8 1/4	7 1/16	157
		80CLMFU62.2	2.2	3	20 3/4	11 1/2	15	5 3/4	11 1/4	8 11/16	5/16	29 1/2	8 1/4	7 1/2	188
		80CLMFU63.7	3.7	5	21 7/16	12 1/8	15 3/8	6 1/16	11 5/8	8 11/16	5/16	31 1/16	8 11/16	7 1/2	206

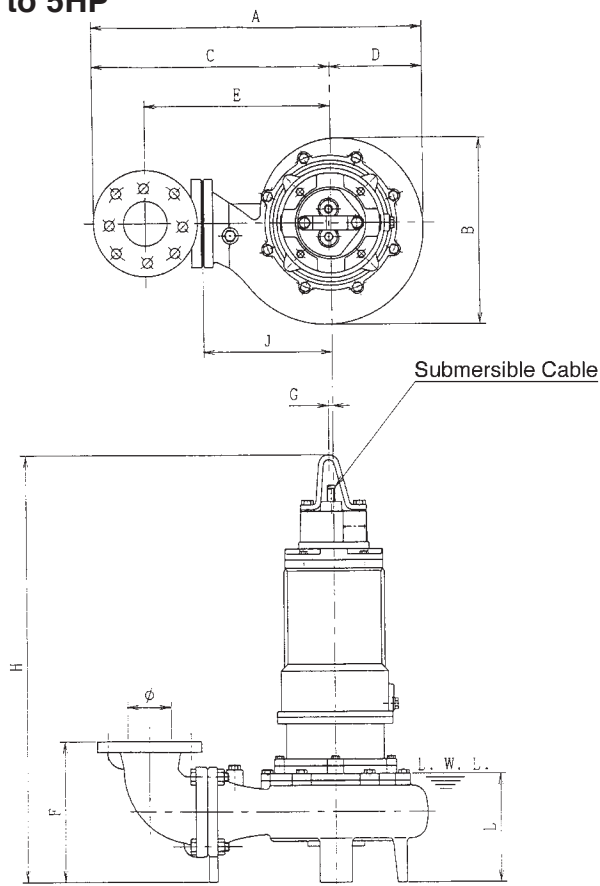
### Dimensions: mm

PHASE	SIZE Ø	MODEL	OUTPUT		PUMP & MOTOR										WEIGHT kg
			kW	HP	A	B	C	D	E	F	G	H	J	L	
THREE	80/100	80CLMFU61.5	1.5	2	527	292	381	146	285	220	8	724	210	180	71
		80CLMFU62.2	2.2	3	527	292	381	146	285	220	8	750	210	190	85
		80CLMFU63.7	3.7	5	545	308	391	154	295	220	8	789	220	190	93

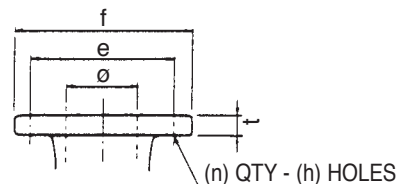
**\*Note:** All 80DLFU dimensions are based on 3" discharge.

### Dimensions

#### 100CLFU, 2 to 5HP



#### Flange (ANSI 125 PSI F.F)



inch					
ø	e	f	t	n	h
4	7 <sup>1</sup> / <sub>2</sub>	9	<sup>15</sup> / <sub>16</sub>	8	<sup>3</sup> / <sub>4</sub>

mm					
ø	e	f	t	n	h
100	191	229	24	8	19

#### Dimensions: inch

PHASE	SIZE ø	MODEL	OUTPUT		PUMP & MOTOR								WEIGHT Lb		
			KW	HP	A	B	C	D	E	F	G	H		J	L
THREE	3/4	100CLFU61.5	1.5	2	21 <sup>3</sup> / <sub>4</sub>	10 <sup>1</sup> / <sub>2</sub>	16 <sup>9</sup> / <sub>16</sub>	5 <sup>1</sup> / <sub>4</sub>	12	10 <sup>13</sup> / <sub>16</sub>	<sup>5</sup> / <sub>16</sub>	29 <sup>15</sup> / <sub>16</sub>	7 <sup>7</sup> / <sub>8</sub>	8 <sup>11</sup> / <sub>16</sub>	170
		100CLFU62.2	2.2	3	22 <sup>7</sup> / <sub>8</sub>	11 <sup>1</sup> / <sub>8</sub>	17 <sup>9</sup> / <sub>16</sub>	5 <sup>9</sup> / <sub>16</sub>	12 <sup>13</sup> / <sub>16</sub>	10 <sup>13</sup> / <sub>16</sub>	<sup>5</sup> / <sub>16</sub>	30 <sup>13</sup> / <sub>16</sub>	8 <sup>11</sup> / <sub>16</sub>	8 <sup>11</sup> / <sub>16</sub>	198
		100CLFU63.7	3.7	5	22 <sup>7</sup> / <sub>8</sub>	11 <sup>1</sup> / <sub>8</sub>	17 <sup>9</sup> / <sub>16</sub>	5 <sup>9</sup> / <sub>16</sub>	12 <sup>13</sup> / <sub>16</sub>	10 <sup>13</sup> / <sub>16</sub>	<sup>5</sup> / <sub>16</sub>	32 <sup>7</sup> / <sub>8</sub>	8 <sup>11</sup> / <sub>16</sub>	8 <sup>11</sup> / <sub>16</sub>	216
	4/6	100CLFU67.5	7.5	10	28 <sup>9</sup> / <sub>16</sub>	15 <sup>11</sup> / <sub>16</sub>	20 <sup>11</sup> / <sub>16</sub>	7 <sup>7</sup> / <sub>8</sub>	16 <sup>1</sup> / <sub>8</sub>	15	<sup>3</sup> / <sub>8</sub>	37 <sup>7</sup> / <sub>16</sub>	11	11 <sup>7</sup> / <sub>16</sub>	395
		100CLFU611	11	15	28 <sup>9</sup> / <sub>16</sub>	15 <sup>11</sup> / <sub>16</sub>	20 <sup>11</sup> / <sub>16</sub>	7 <sup>7</sup> / <sub>8</sub>	16 <sup>1</sup> / <sub>8</sub>	15	<sup>5</sup> / <sub>16</sub>	41 <sup>1</sup> / <sub>8</sub>	11	11 <sup>7</sup> / <sub>16</sub>	476
		100CLFU615	15	20	29 <sup>3</sup> / <sub>4</sub>	16 <sup>7</sup> / <sub>16</sub>	21 <sup>7</sup> / <sub>16</sub>	8 <sup>1</sup> / <sub>4</sub>	16 <sup>15</sup> / <sub>16</sub>	14 <sup>13</sup> / <sub>16</sub>	<sup>5</sup> / <sub>16</sub>	43 <sup>1</sup> / <sub>4</sub>	11 <sup>13</sup> / <sub>16</sub>	11 <sup>13</sup> / <sub>16</sub>	602
		100CLFU618	18.5	25	30 <sup>7</sup> / <sub>8</sub>	17 <sup>1</sup> / <sub>4</sub>	22 <sup>1</sup> / <sub>4</sub>	8 <sup>11</sup> / <sub>16</sub>	17 <sup>11</sup> / <sub>16</sub>	14 <sup>13</sup> / <sub>16</sub>	<sup>5</sup> / <sub>16</sub>	44 <sup>13</sup> / <sub>16</sub>	12 <sup>5</sup> / <sub>8</sub>	11 <sup>13</sup> / <sub>16</sub>	677
	3/4	100CLFU622	22	30	30 <sup>7</sup> / <sub>8</sub>	17 <sup>1</sup> / <sub>4</sub>	22 <sup>1</sup> / <sub>4</sub>	8 <sup>11</sup> / <sub>16</sub>	17 <sup>11</sup> / <sub>16</sub>	14 <sup>13</sup> / <sub>16</sub>	<sup>5</sup> / <sub>16</sub>	44 <sup>13</sup> / <sub>16</sub>	12 <sup>5</sup> / <sub>8</sub>	11 <sup>13</sup> / <sub>16</sub>	736
		100CLFU630	30	40	33 <sup>1</sup> / <sub>4</sub>	19 <sup>9</sup> / <sub>16</sub>	23 <sup>5</sup> / <sub>8</sub>	9 <sup>5</sup> / <sub>8</sub>	19 <sup>1</sup> / <sub>8</sub>	19 <sup>7</sup> / <sub>16</sub>	<sup>5</sup> / <sub>16</sub>	55 <sup>3</sup> / <sub>4</sub>	14 <sup>3</sup> / <sub>16</sub>	19 <sup>1</sup> / <sub>4</sub>	1001
		100CLFU637	37	50	33 <sup>1</sup> / <sub>4</sub>	19 <sup>9</sup> / <sub>16</sub>	23 <sup>5</sup> / <sub>8</sub>	9 <sup>5</sup> / <sub>8</sub>	19 <sup>1</sup> / <sub>8</sub>	19 <sup>7</sup> / <sub>16</sub>	<sup>5</sup> / <sub>16</sub>	59 <sup>9</sup> / <sub>16</sub>	14 <sup>3</sup> / <sub>16</sub>	20 <sup>5</sup> / <sub>16</sub>	1171

#### Dimensions: mm

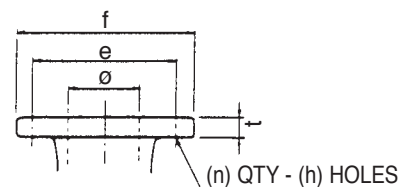
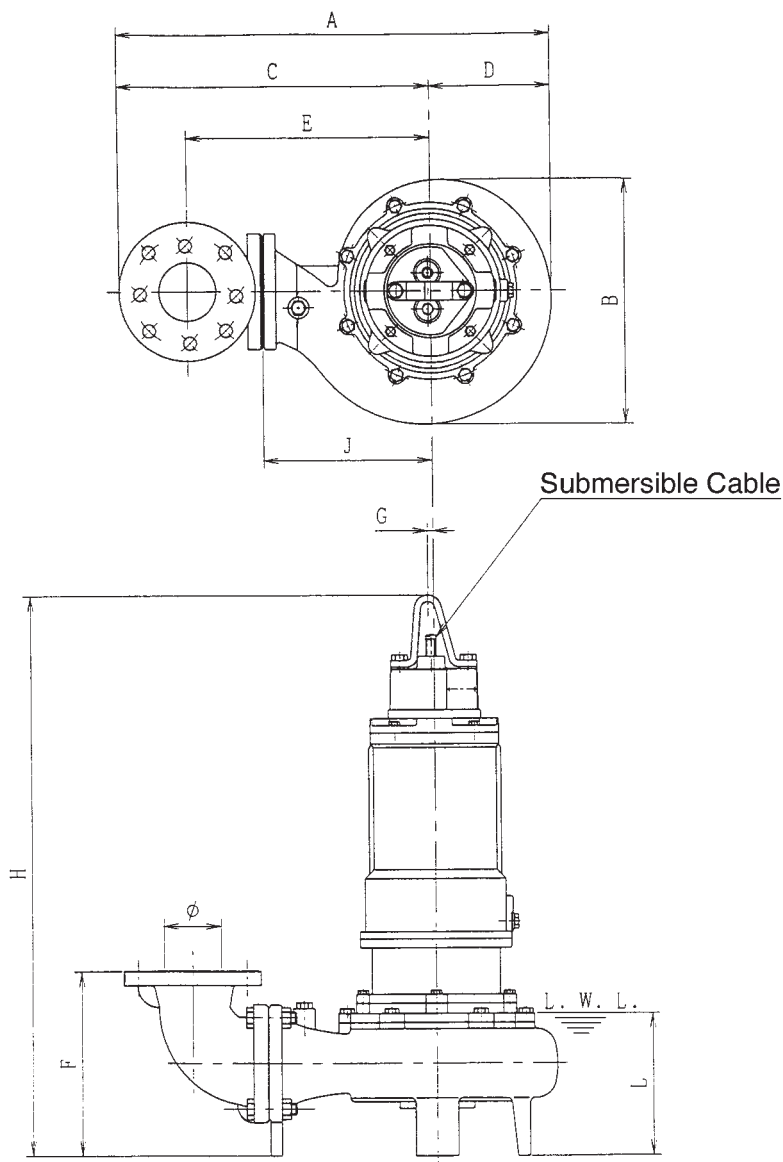
PHASE	SIZE ø	MODEL	OUTPUT		PUMP & MOTOR								WEIGHT kg		
			KW	HP	A	B	C	D	E	F	G	H		J	L
THREE	80/100	100CLFU61.5	1.5	2	553	267	420	134	305	275	8	760	200	220	77
		100CLFU62.2	2.2	3	581	282	440	141	325	275	8	782	220	220	90
		100CLFU63.7	3.7	5	581	282	440	141	325	275	8	822	220	220	98
	100/150	100CLFU67.5	7.5	10	725	398	525	200	410	381	10	951	280	290	179
		100CLFU611	11	15	725	398	525	200	410	381	8	1044	280	290	216
		100CLFU615	15	20	755	417	545	210	430	377	8	1099	300	300	273
		100CLFU618	18.5	25	784	438	565	220	450	377	8	1139	320	300	307
	80/100	100CLFU622	22	30	784	438	565	220	450	377	8	1139	320	300	334
		100CLFU630	30	40	845	497	600	245	485.5	493	8	1416	360	490	454
		100CLFU637	37	50	845	497	600	245	485.5	493	8	1506	360	516	531

**\*Note:** All dimensions are based on 4" discharge.



### Dimensions

### 100CLMFU, 3 to 5HP



**Flange (ANSI 125 PSI F.F)**

inch					
$\phi$	e	f	t	n	h
4	7 $\frac{1}{2}$	9	$\frac{15}{16}$	8	$\frac{3}{4}$
mm					
$\phi$	e	f	t	n	h
100	191	229	24	8	19

### Dimensions: inch

PHASE	SIZE $\phi$	MODEL	OUTPUT		PUMP & MOTOR										WEIGHT Lb
			kW	HP	A	B	C	D	E	F	G	H	J	L	
THREE	3/4	100CLMFU62.2	2.2	3	24 $\frac{9}{16}$	13 $\frac{3}{16}$	17 $\frac{15}{16}$	6 $\frac{5}{8}$	13 $\frac{3}{8}$	9 $\frac{13}{16}$	$\frac{5}{16}$	30 $\frac{1}{4}$	9 $\frac{1}{4}$	8 $\frac{1}{16}$	210
		100CLMFU63.7	3.7	5	24 $\frac{9}{16}$	13 $\frac{3}{16}$	17 $\frac{15}{16}$	6 $\frac{5}{8}$	13 $\frac{3}{8}$	9 $\frac{13}{16}$	$\frac{5}{16}$	31 $\frac{13}{16}$	9 $\frac{1}{4}$	8 $\frac{1}{16}$	210

### Dimensions: mm

PHASE	SIZE $\phi$	MODEL	OUTPUT		PUMP & MOTOR										WEIGHT kg
			kW	HP	A	B	C	D	E	F	G	H	J	L	
THREE	80/100	100CLMFU62.2	2.2	3	624	335	455	169	340	250	8	768	235	205	95
		100CLMFU63.7	3.7	5	624	335	455	169	340	250	8	808	235	205	95

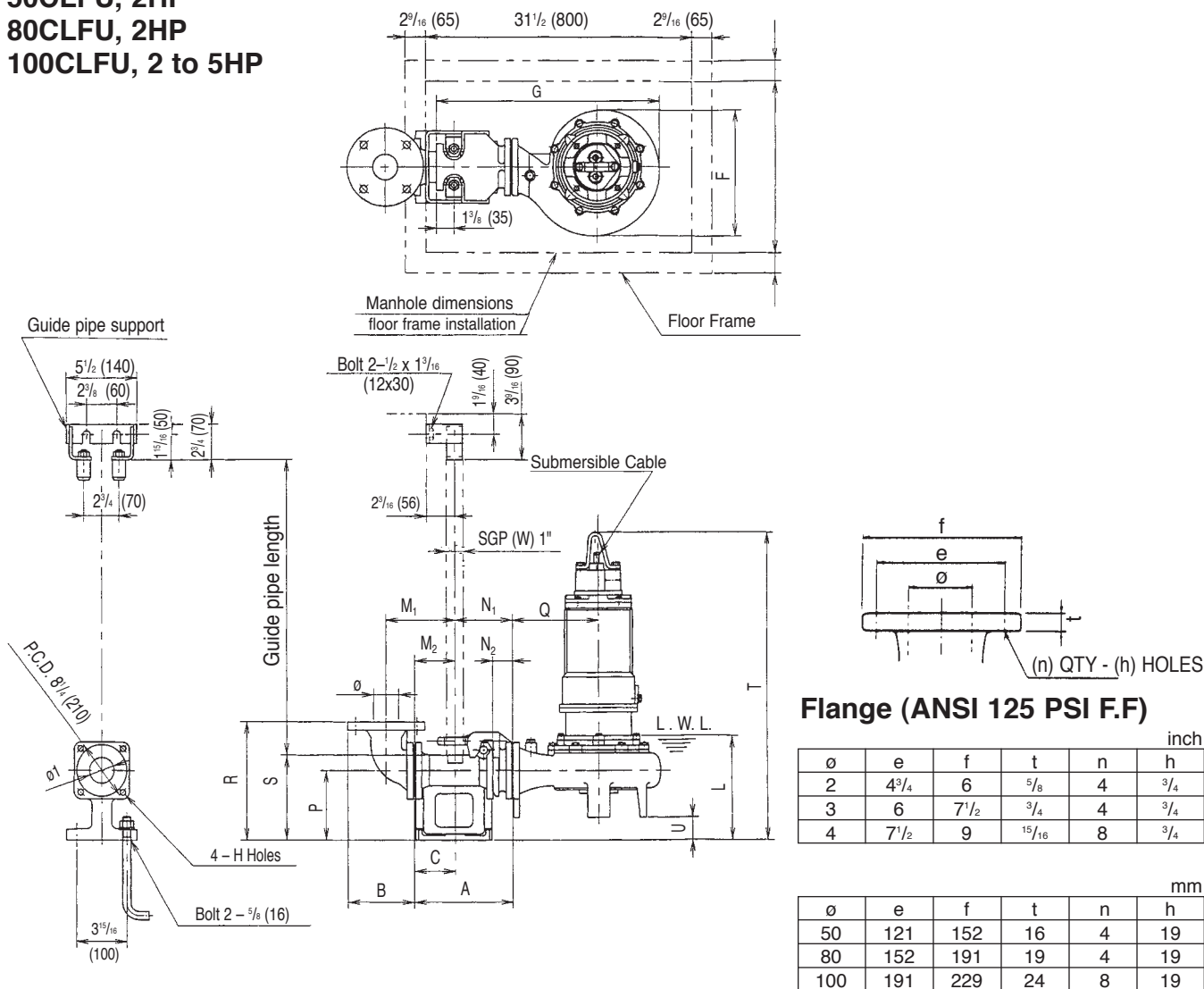
### Dimensions

#### Model CLFU with Quick Discharge Connector

50CLFU, 2HP

80CLFU, 2HP

100CLFU, 2 to 5HP



#### Flange (ANSI 125 PSI F.F)

inch					
ø	e	f	t	n	h
2	4 <sup>3</sup> / <sub>4</sub>	6	5 <sup>5</sup> / <sub>8</sub>	4	3 <sup>3</sup> / <sub>4</sub>
3	6	7 <sup>1</sup> / <sub>2</sub>	3 <sup>3</sup> / <sub>4</sub>	4	3 <sup>3</sup> / <sub>4</sub>
4	7 <sup>1</sup> / <sub>2</sub>	9	1 <sup>5</sup> / <sub>16</sub>	8	3 <sup>3</sup> / <sub>4</sub>

mm					
ø	e	f	t	n	h
50	121	152	16	4	19
80	152	191	19	4	19
100	191	229	24	8	19

### Dimensions: inch

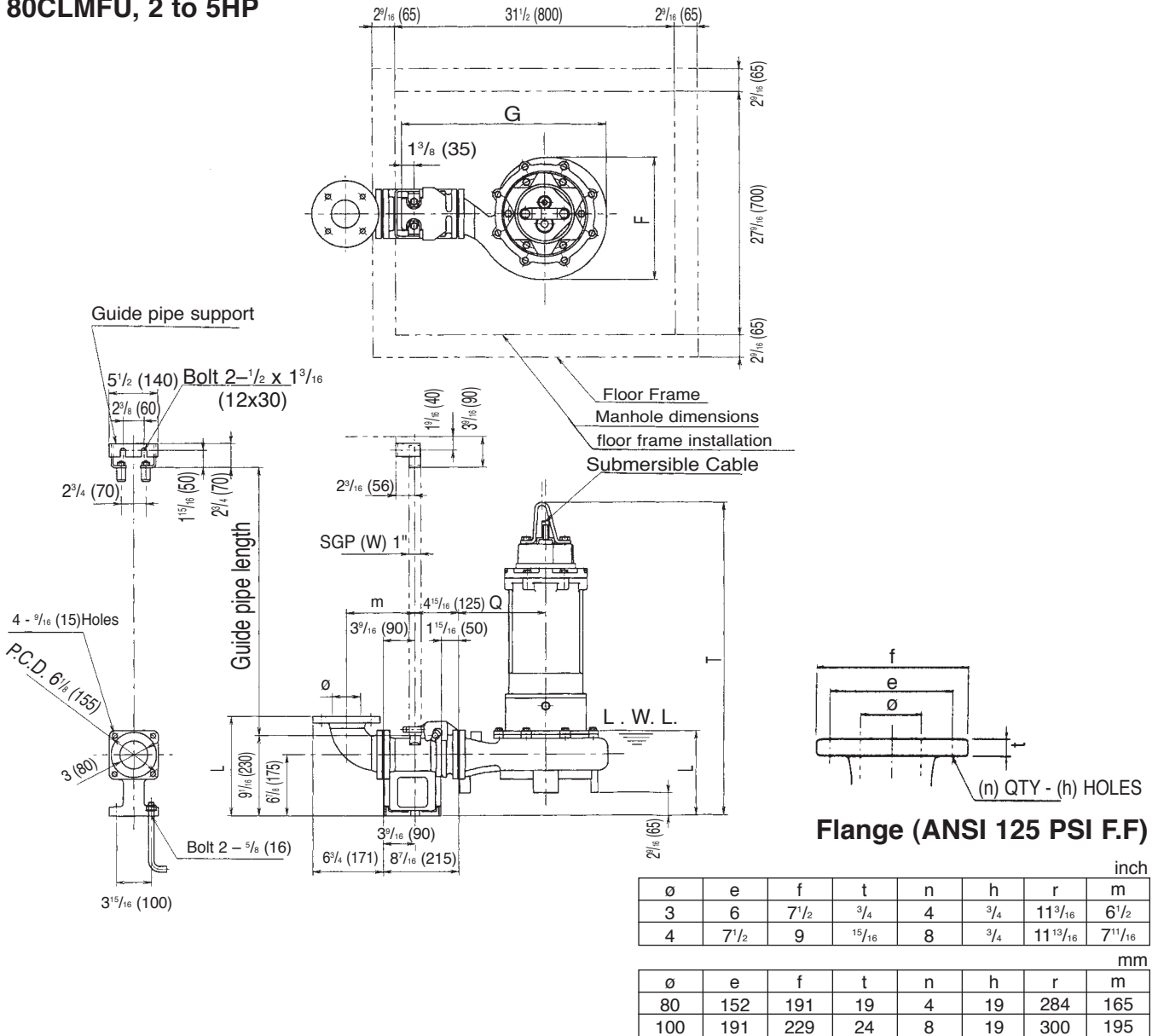
PHASE	SIZE ø	MODEL	OUTPUT kW	HP	QDC MODEL	QDC											PUMP & MOTOR						WEIGHT Lb			
						A	B	C	H	J	M <sub>1</sub>	M <sub>2</sub>	N <sub>1</sub>	N <sub>2</sub>	P	R	S	ø1	F	G	L	Q	T	U	PUMP	QDC
THREE	2/3	50CLFU61.5	1.5	2	LM65	8 <sup>7</sup> / <sub>16</sub>	6	3 <sup>3</sup> / <sub>4</sub>	1 <sup>1</sup> / <sub>2</sub>	5 <sup>1</sup> / <sub>2</sub>	6 <sup>3</sup> / <sub>16</sub>	3 <sup>3</sup> / <sub>4</sub>	4 <sup>3</sup> / <sub>4</sub>	1 <sup>3</sup> / <sub>4</sub>	5 <sup>11</sup> / <sub>16</sub>	9 <sup>9</sup> / <sub>16</sub>	7 <sup>1</sup> / <sub>2</sub>	2 <sup>1</sup> / <sub>2</sub>	10 <sup>1</sup> / <sub>8</sub>	18 <sup>1</sup> / <sub>4</sub>	8 <sup>1</sup> / <sub>4</sub>	7 <sup>1</sup> / <sub>16</sub>	29 <sup>5</sup> / <sub>8</sub>	1 <sup>15</sup> / <sub>16</sub>	132	31
		80CLFU61.5	1.5	2	LM80	8 <sup>7</sup> / <sub>16</sub>	6 <sup>5</sup> / <sub>8</sub>	3 <sup>9</sup> / <sub>16</sub>	9 <sup>9</sup> / <sub>16</sub>	6 <sup>1</sup> / <sub>8</sub>	6 <sup>1</sup> / <sub>2</sub>	3 <sup>9</sup> / <sub>16</sub>	4 <sup>15</sup> / <sub>16</sub>	1 <sup>15</sup> / <sub>16</sub>	6 <sup>7</sup> / <sub>8</sub>	11 <sup>1</sup> / <sub>4</sub>	9 <sup>9</sup> / <sub>16</sub>	3	11 <sup>1</sup> / <sub>2</sub>	20 <sup>1</sup> / <sub>8</sub>	9 <sup>5</sup> / <sub>8</sub>	8 <sup>1</sup> / <sub>4</sub>	31 <sup>1</sup> / <sub>16</sub>	2 <sup>9</sup> / <sub>16</sub>	148	37
	3/4	100CLFU61.5	1.5	2	LM80	8 <sup>7</sup> / <sub>16</sub>	8 <sup>1</sup> / <sub>4</sub>	3 <sup>9</sup> / <sub>16</sub>	9 <sup>9</sup> / <sub>16</sub>	6 <sup>1</sup> / <sub>8</sub>	7 <sup>11</sup> / <sub>16</sub>	3 <sup>9</sup> / <sub>16</sub>	4 <sup>15</sup> / <sub>16</sub>	1 <sup>15</sup> / <sub>16</sub>	6 <sup>7</sup> / <sub>8</sub>	11 <sup>13</sup> / <sub>16</sub>	9 <sup>9</sup> / <sub>16</sub>	3	10 <sup>1</sup> / <sub>2</sub>	19 <sup>1</sup> / <sub>16</sub>	9 <sup>5</sup> / <sub>8</sub>	7 <sup>7</sup> / <sub>8</sub>	30 <sup>7</sup> / <sub>8</sub>	1	170	37
		100CLFU62.2	2.2	3	LM80	8 <sup>7</sup> / <sub>16</sub>	8 <sup>1</sup> / <sub>4</sub>	3 <sup>9</sup> / <sub>16</sub>	9 <sup>9</sup> / <sub>16</sub>	6 <sup>1</sup> / <sub>8</sub>	7 <sup>11</sup> / <sub>16</sub>	3 <sup>9</sup> / <sub>16</sub>	4 <sup>15</sup> / <sub>16</sub>	1 <sup>15</sup> / <sub>16</sub>	6 <sup>7</sup> / <sub>8</sub>	11 <sup>13</sup> / <sub>16</sub>	9 <sup>9</sup> / <sub>16</sub>	3	11 <sup>1</sup> / <sub>8</sub>	20 <sup>1</sup> / <sub>2</sub>	9 <sup>5</sup> / <sub>8</sub>	8 <sup>11</sup> / <sub>16</sub>	31 <sup>3</sup> / <sub>8</sub>	1	199	37
		100CLFU63.7	3.7	5	LM80	8 <sup>7</sup> / <sub>16</sub>	8 <sup>1</sup> / <sub>4</sub>	3 <sup>9</sup> / <sub>16</sub>	9 <sup>9</sup> / <sub>16</sub>	6 <sup>1</sup> / <sub>8</sub>	7 <sup>11</sup> / <sub>16</sub>	3 <sup>9</sup> / <sub>16</sub>	4 <sup>15</sup> / <sub>16</sub>	1 <sup>15</sup> / <sub>16</sub>	6 <sup>7</sup> / <sub>8</sub>	11 <sup>13</sup> / <sub>16</sub>	9 <sup>9</sup> / <sub>16</sub>	3	11 <sup>1</sup> / <sub>8</sub>	20 <sup>1</sup> / <sub>2</sub>	9 <sup>5</sup> / <sub>8</sub>	8 <sup>11</sup> / <sub>16</sub>	33 <sup>3</sup> / <sub>8</sub>	1	217	37

### Dimensions: mm

PHASE	SIZE ø	MODEL	OUTPUT kW	HP	QDC MODEL	QDC											PUMP & MOTOR						WEIGHT kg			
						A	B	C	H	J	M <sub>1</sub>	M <sub>2</sub>	N <sub>1</sub>	N <sub>2</sub>	P	R	S	ø1	F	G	L	Q	T	U	PUMP	QDC
THREE	50/80	50CLFU61.5	1.5	2	LM65	215	153	95	12	140	160	95	120	45	145	250	190	65	257	464	210	180	753	50	60	14
		80CLFU61.5	1.5	2	LM80	215	168	90	15	155	165	90	125	50	175	285	230	80	292	511	245	210	789	65	67	17
	80/100	100CLFU61.5	1.5	2	LM80	215	210	90	15	155	195	90	125	50	175	300	230	80	267	494	245	200	785	25	67	17
		100CLFU62.2	2.2	3	LM80	215	210	90	15	155	195	90	125	50	175	300	230	80	282	521	245	220	807	25	90	17
		100CLFU63.7	3.7	5	LM80	215	210	90	15	155	195	90	125	50	175	300	230	80	282	521	245	220	847	25	98	17

### Dimensions

### Model CLFU with Quick Discharge Connector 80CLMFU, 2 to 5HP



### Dimensions: inch

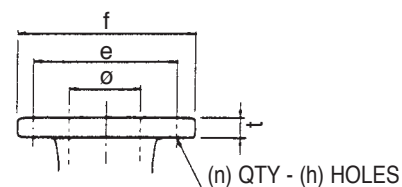
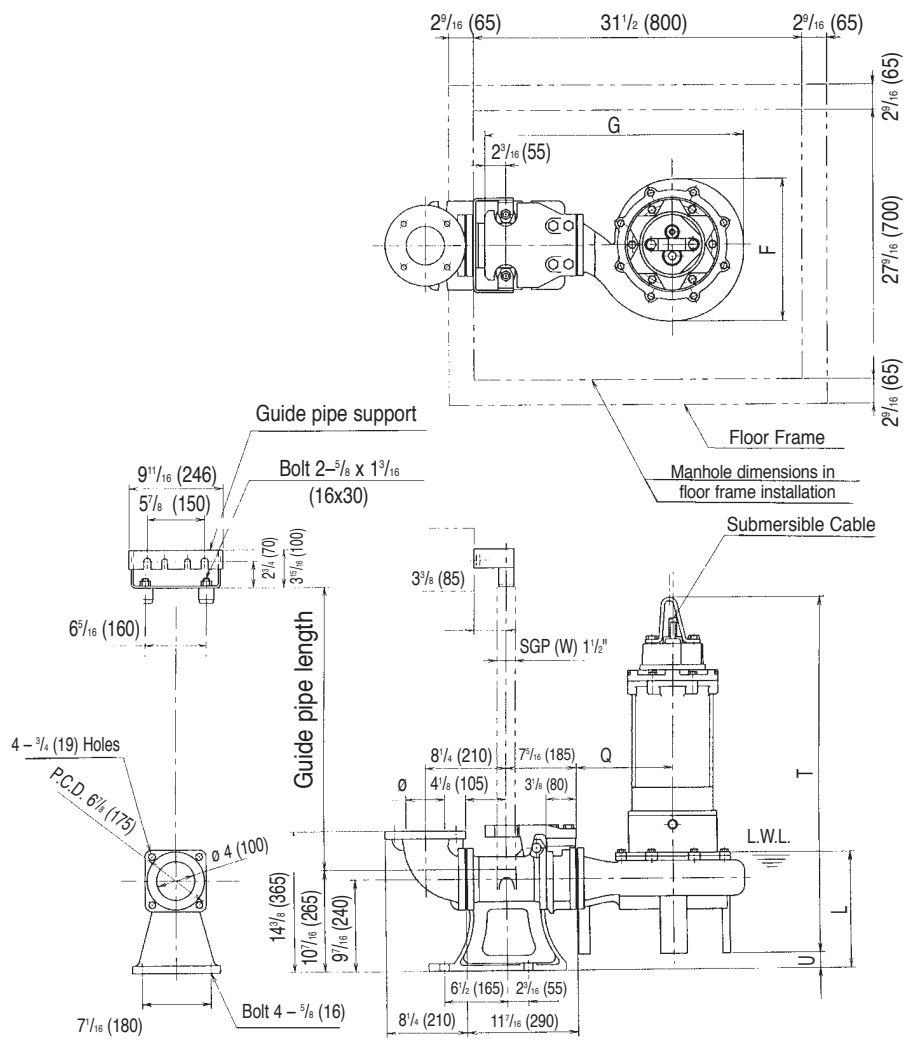
PHASE	SIZE ø	PUMP MODEL	OUTPUT		Q.D.C. MODEL	PUMP & MOTOR					WEIGHT Lb	
			kW	HP		F	G	L	Q	T	PUMP	Q.D.C.
THREE	3/4	80CLMFU61.5	1.5	2	LM80	11 <sup>1</sup> / <sub>2</sub>	20 <sup>5</sup> / <sub>16</sub>	9 <sup>13</sup> / <sub>16</sub>	8 <sup>1</sup> / <sub>4</sub>	31 <sup>1</sup> / <sub>16</sub>	157	37
		80CLMFU62.2	2.2	3	LM80	11 <sup>1</sup> / <sub>2</sub>	20 <sup>5</sup> / <sub>16</sub>	9 <sup>15</sup> / <sub>16</sub>	8 <sup>1</sup> / <sub>4</sub>	32 <sup>1</sup> / <sub>16</sub>	187	37
		80CLMFU63.7	3.7	5	LM80	12 <sup>1</sup> / <sub>8</sub>	21	9 <sup>15</sup> / <sub>16</sub>	8 <sup>11</sup> / <sub>16</sub>	33 <sup>5</sup> / <sub>8</sub>	205	37

### Dimensions: mm

PHASE	SIZE ø	PUMP MODEL	OUTPUT		Q.D.C. MODEL	PUMP & MOTOR					WEIGHT kg	
			kW	HP		F	G	L	Q	T	PUMP	Q.D.C.
THREE	80/100	80CLMFU61.5	1.5	2	LM80	292	516	250	210	789	71	17
		80CLMFU62.2	2.2	3	LM80	292	516	253	210	815	85	17
		80CLMFU63.7	3.7	5	LM80	308	534	252	220	854	93	17

### Dimensions

### Model CLFU with Quick Discharge Connector 80CLFU, 3 to 5HP



### Flange (ANSI 125 PSI F.F)

inch					
ø	e	f	t	n	h
3	6	7 1/2	3/4	4	3/4

mm					
ø	e	f	t	n	h
80	152	191	19	4	19

### Dimensions: inch

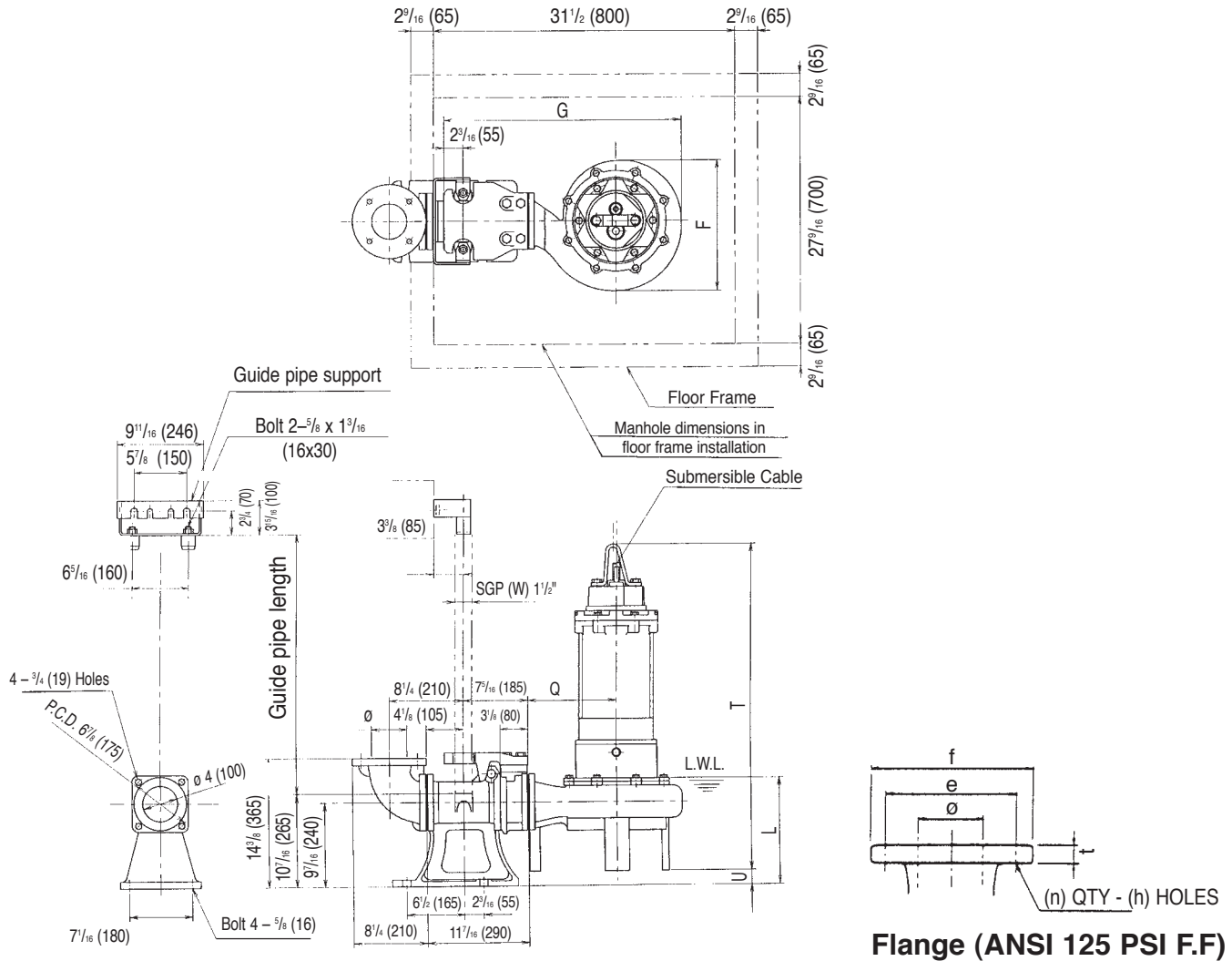
PHASE	SIZE ø	MODEL	OUTPUT		Q.D.C. MODEL	PUMP & MOTOR						WEIGHT Lb	
			KW	HP		F	G	L	Q	T	U	PUMP	Q.D.C.
THREE	3/4	80CLFU62.2	2.2	3	LL100	13 3/16	25 3/8	12 5/8	9 1/4	34 3/4	4 1/2	209	101
		80CLFU63.7	3.7	5	LL100	13 3/16	25 3/8	12 5/8	9 1/4	36 5/16	4 1/2	209	101

### Dimensions: mm

PHASE	SIZE ø	MODEL	OUTPUT		Q.D.C. MODEL	PUMP & MOTOR						WEIGHT kg	
			KW	HP		F	G	L	Q	T	U	PUMP	Q.D.C.
THREE	80/100	80CLFU62.2	2.2	3	LL100	335	644	320	235	883	115	95	46
		80CLFU63.7	3.7	5	LL100	335	644	320	235	923	115	95	46

### Dimensions

### Model CLFU with Quick Discharge Connector 100CLMFU, 3 to 5HP



**Flange (ANSI 125 PSI F.F)**

inch					
ø	e	f	t	n	h
4	7 1/2	9	15/16	8	3/4

mm					
ø	e	f	t	n	h
100	191	229	24	8	19

### Dimensions: inch

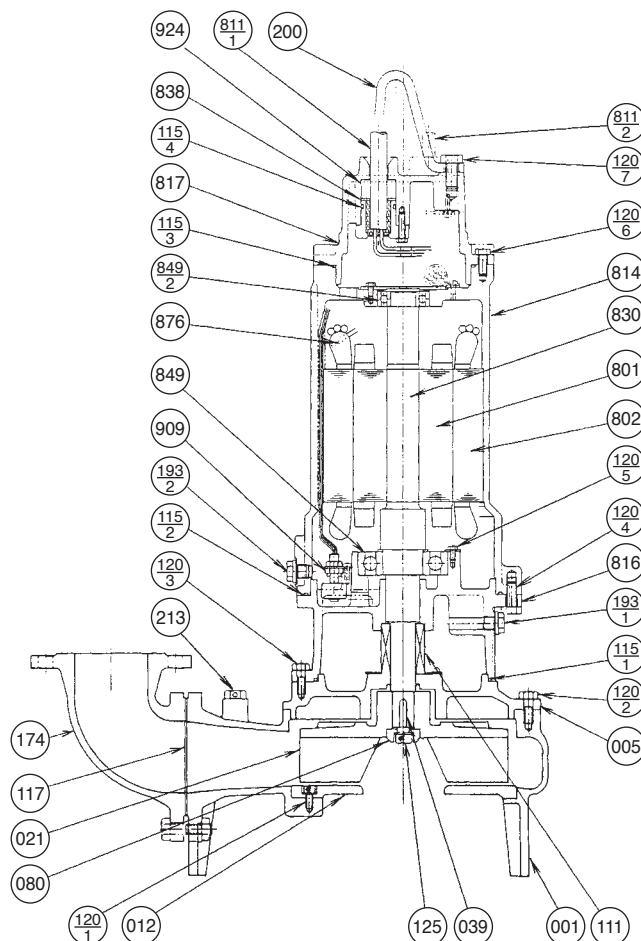
PHASE	SIZE ø	MODEL	OUTPUT		Q.D.C. MODEL	PUMP & MOTOR						WEIGHT Lb	
			kW	HP		F	G	L	Q	T	U	PUMP	Q.D.C.
THREE	3/4	100CLMFU62.2	2.2	3	LL100	13 <sup>3</sup> / <sub>16</sub>	25 <sup>3</sup> / <sub>8</sub>	12 <sup>1</sup> / <sub>8</sub>	9 <sup>1</sup> / <sub>4</sub>	34 <sup>3</sup> / <sub>4</sub>	4 <sup>1</sup> / <sub>2</sub>	209	101
		100CLMFU63.7	3.7	5	LL100	13 <sup>3</sup> / <sub>16</sub>	25 <sup>3</sup> / <sub>8</sub>	12 <sup>5</sup> / <sub>8</sub>	9 <sup>1</sup> / <sub>4</sub>	36 <sup>5</sup> / <sub>16</sub>	4 <sup>1</sup> / <sub>2</sub>	209	101

### Dimensions: mm

PHASE	SIZE ø	MODEL	OUTPUT		Q.D.C. MODEL	PUMP & MOTOR						WEIGHT kg	
			kW	HP		F	G	L	Q	T	U	PUMP	Q.D.C.
THREE	80/100	100CLMFU62.2	2.2	3	LL100	335	644	320	235	883	115	95	46
		100CLMFU63.7	3.7	5	LL100	335	644	320	235	923	115	95	46

### Sectional View

2 to 5HP



PART NO.	PART NAME	MATERIAL	ASTM, AISI CODE	NO. FOR 1 UNIT	PART NO.	PART NAME	MATERIAL	ASTM, AISI CODE	NO. FOR 1 UNIT
001	CASING	CAST IRON	A48 Class 30	1	174	DISCHARGE ELBOW	CAST IRON	A48 Class 30	1
005	INTERMEDIATE CASING	CAST IRON	A48 Class 30	1	193-1	PLUG	304 STAINLESS	AISI304	1
†012	SUCTION COVER	CAST IRON	A48 Class 30	1	193-2	PLUG	304 STAINLESS	AISI304	1
†021	IMPELLER	CAST IRON	A48 Class 30	1	200	LIFTING HANGER	STEEL	A283 Grade D	1
039	KEY	420 STAINLESS	AISI420	1	213	AIR VENT VALVE	BRASS	B36 No. 272	1
080	BUSHING	STEEL	A283 Grade D	1	801	ROTOR	—		1
†111	MECHANICAL SEAL	—		1 SET	802	STATOR	—		1
†115-1	O-RING	RUBBER (NBR)		1	811-1	POWER CABLE	—		1
†115-2	O-RING	RUBBER (NBR)		1	811-2	CONTROL CABLE	—		1
†115-3	O-RING	RUBBER (NBR)		1	814	MOTOR COVER	CAST IRON	A48 Class 30	1
†115-4	O-RING	RUBBER (NBR)		2	816	BRACKET	CAST IRON	A48 Class 30	1
†117	GASKET			1	817	BRACKET	CAST IRON	A48 Class 30	1
120-1	BOLT	304 STAINLESS	AISI304	4	830	SHAFT	403 STAINLESS	AISI403	1
120-2	BOLT	304 STAINLESS	AISI304	8	838	WASHER	304 STAINLESS	AISI304	2
120-3	BOLT	304 STAINLESS	AISI304	4	†849-1	BALL BEARING	—		1
120-4	BOLT	304 STAINLESS	AISI304	4	†849-2	BALL BEARING	—		1
120-5	BOLT	304 STAINLESS	AISI304	3	876	MOTOR PROTECTOR	—		3
120-6	BOLT	304 STAINLESS	AISI304	4	909	LEAKAGE DETECTOR	—		1
120-7	BOLT	304 STAINLESS	AISI304	2	924	PACKING	RUBBER (NBR)		2
125	BOLT	304 STAINLESS	AISI304	1					

Motors are purchased as a complete unit

†: Recommended spare parts