

Contents

50CVFU61.5
50CVFU62.2
80CVFU61.5
80CVBFU62.2
80CVCFU62.2
80CVBFU63.7
80CVCFU63.7
100CVFU63.7

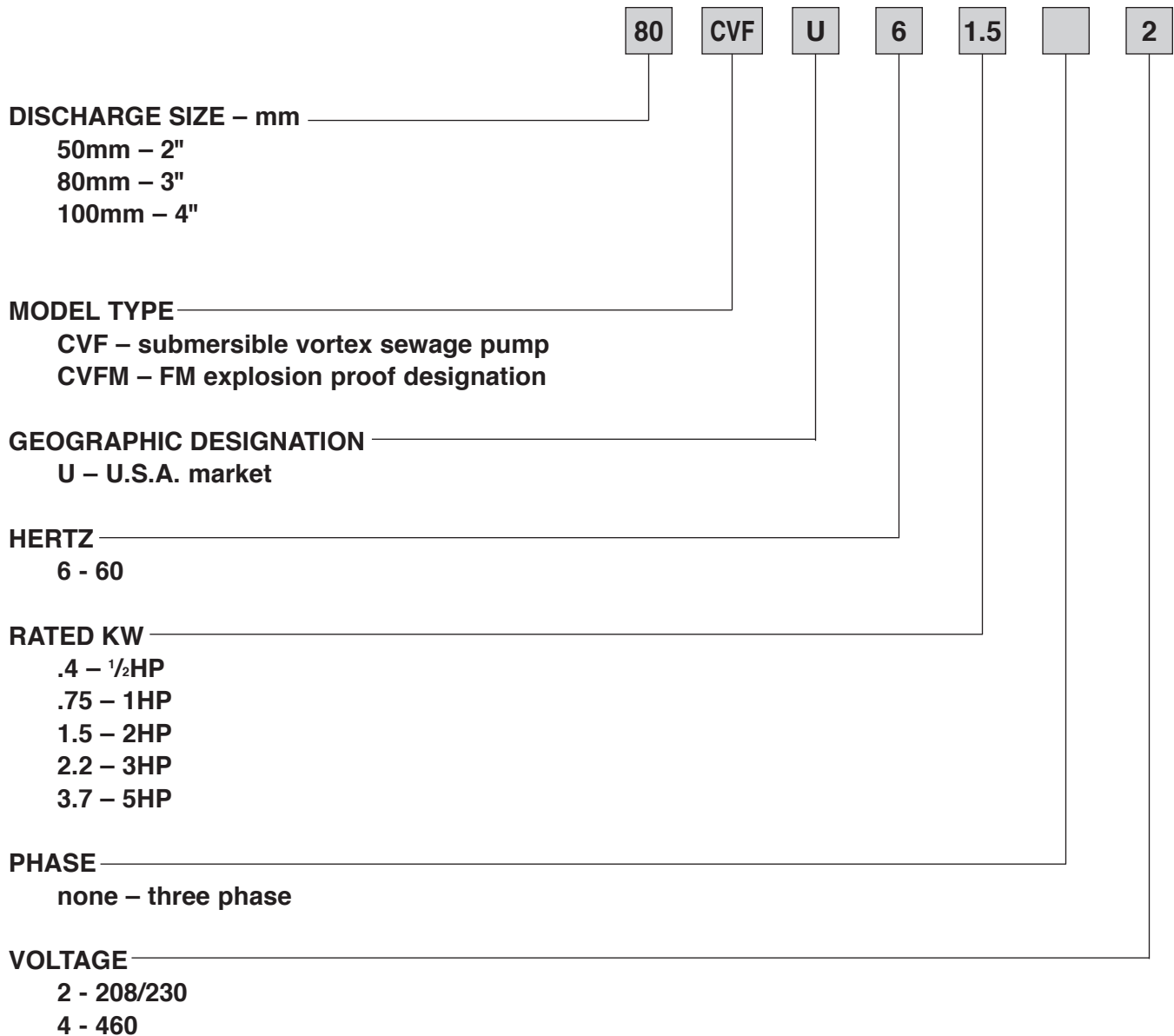
Section	Page
Specifications	2002
Selection Chart	2003
Performance Curves	2007
Dimensions	2011
Sectional View	2018
QDC Information	2100
Motor Data	2200
motor electrical specifications	
cable data	
wiring diagrams	
motor electrical data	



Model CVFU

EBARA PRO Cast Vortex Sewage Pumps

Model Designation

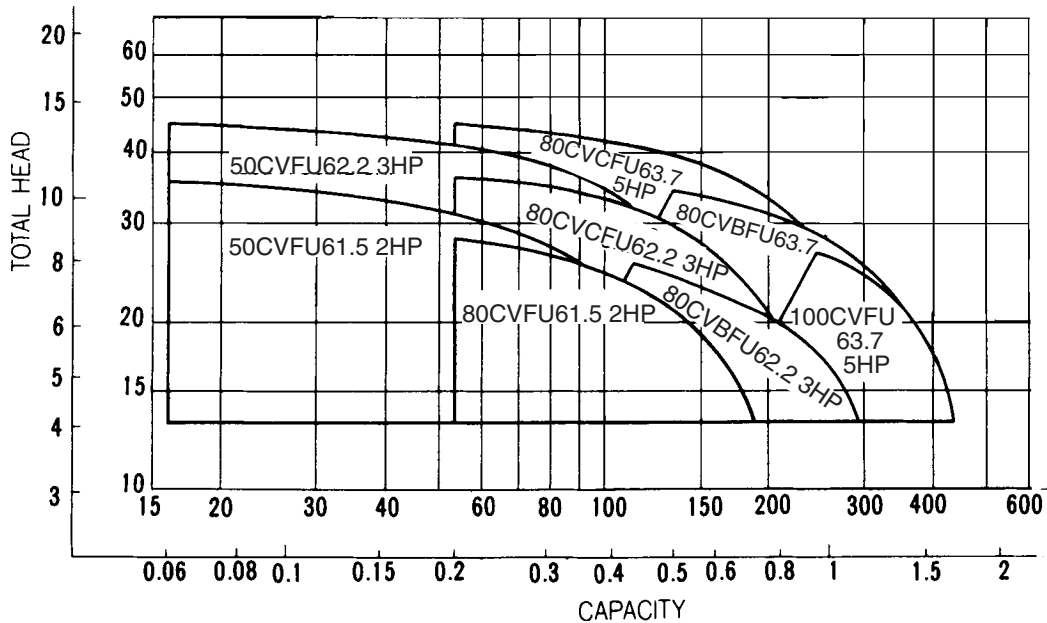


Specifications

	Standard	Optional
Size	2, 3, 4	
Range of HP	2 to 5 HP	
Range of Performance	Capacity 16 to 425 GPM Head 13 to 50 feet	
Limitation Maximum Water Temperature	104°F (40°C)	
Speed	1800 RPM	
Materials Casing Impeller Shaft Motor Frame Fastener	Cast Iron Cast Iron 403 Stainless Steel Cast Iron 304 Stainless Steel	
Mechanical Seal Material – Upper Side Material – Lower Side Impeller Type Bearing Motor Three Phase Motor Protection Accessories	Double Mechanical Seal Carbon/Ceramic Silicon Carbide/Silicon Carbide Semi-open Recessed Vortex Prelubricated Ball Bearing Insulation Class H 208/230V, 460V Built-in Thermal Detector – Klixons Built-in Leakage Detector Submersible cable 33 ft.	FM Explosion Proof, Class 1, Division 1, Group C, D ____ ft. (customer specified) QDC System

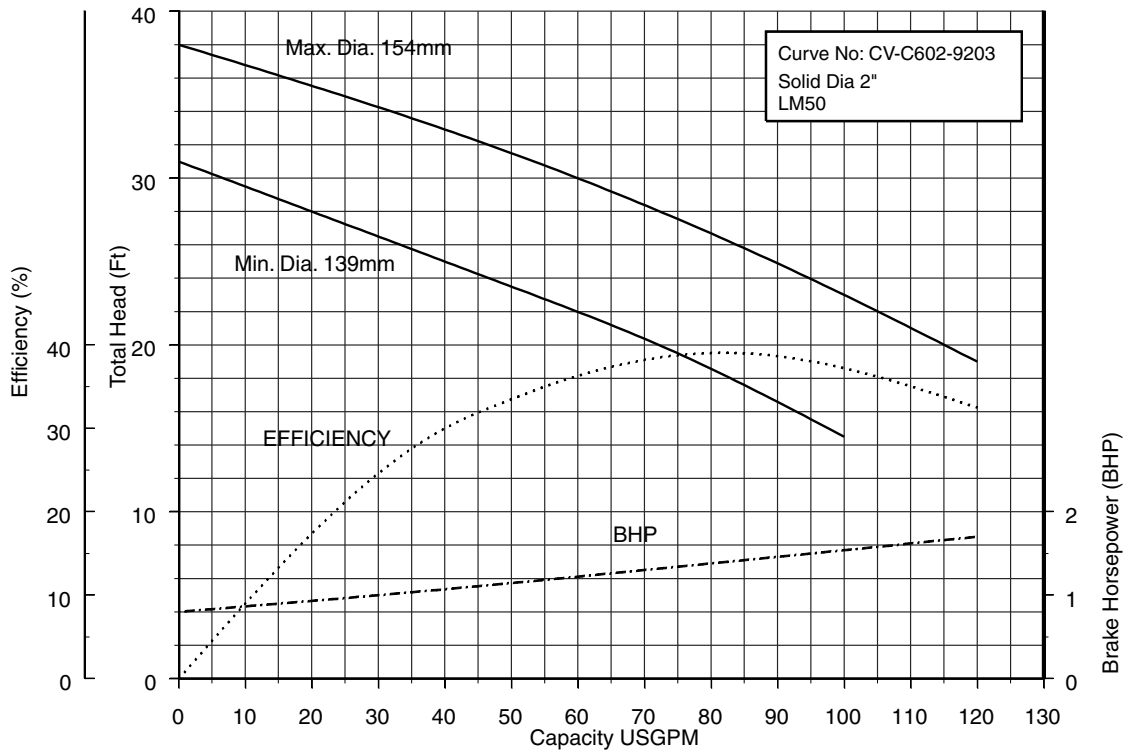


Three Phase



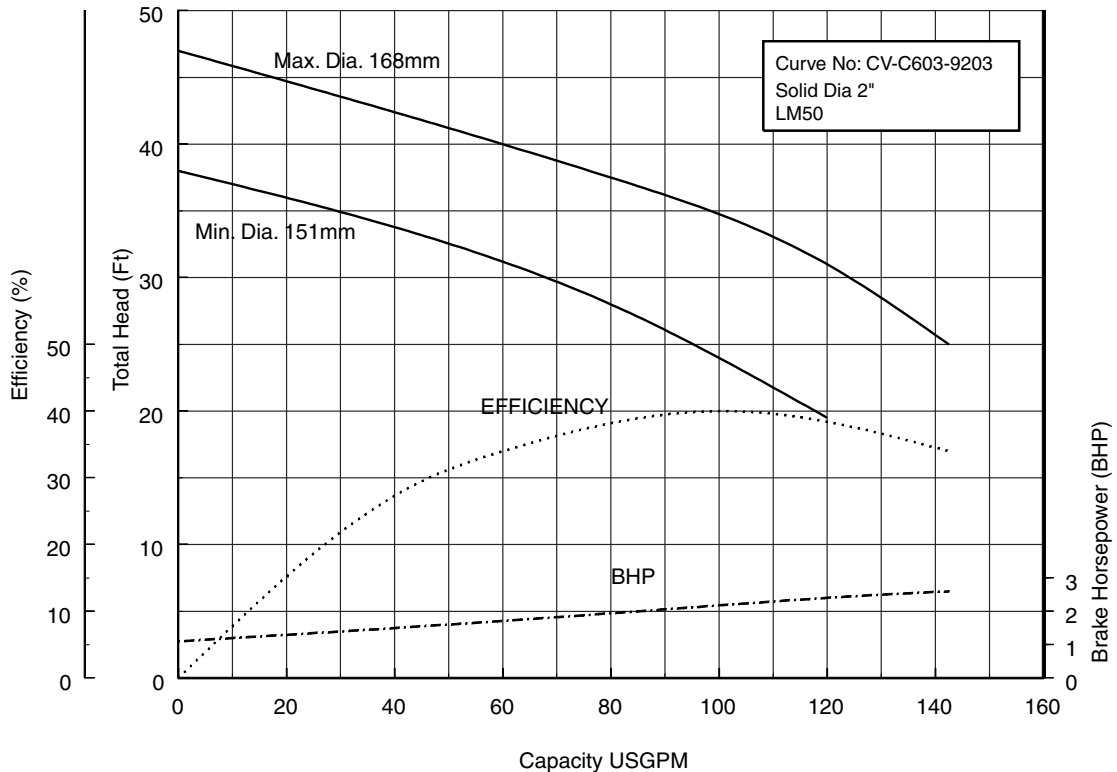
50CVF61.5 (2HP) Synchronous Speed: 1800 RPM

2 inch Discharge



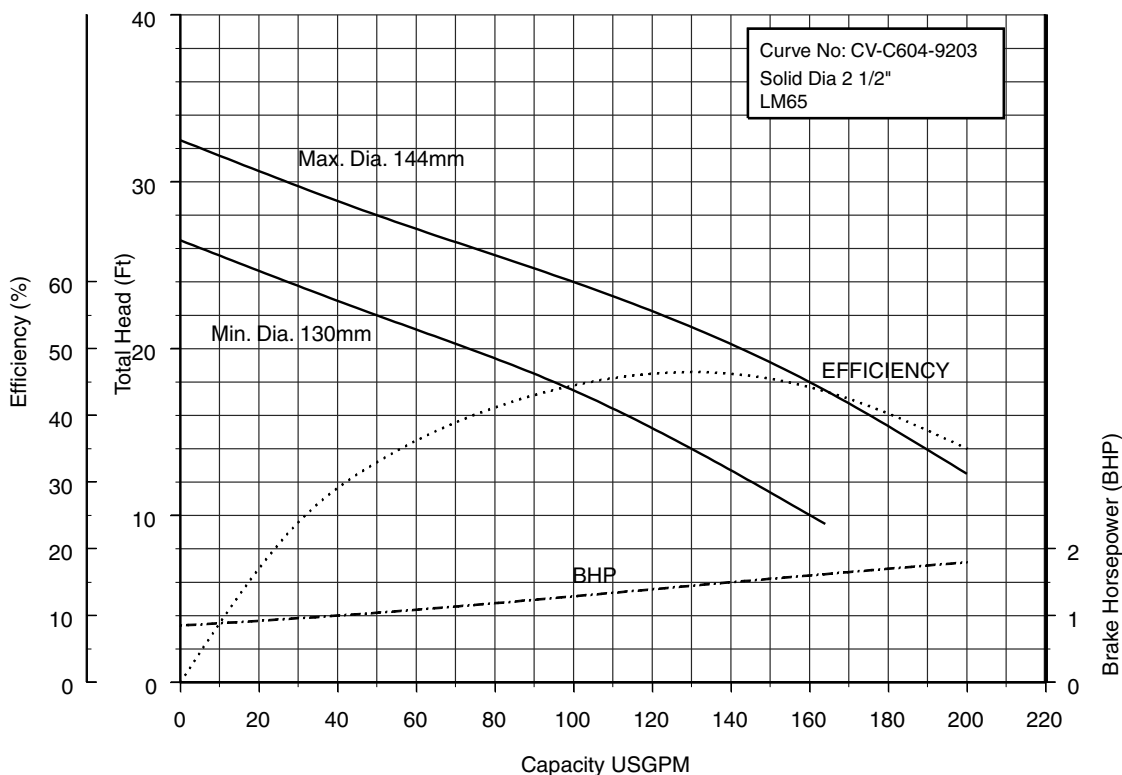
50CVF62.2 (3HP) Synchronous Speed: 1800 RPM

2 inch Discharge



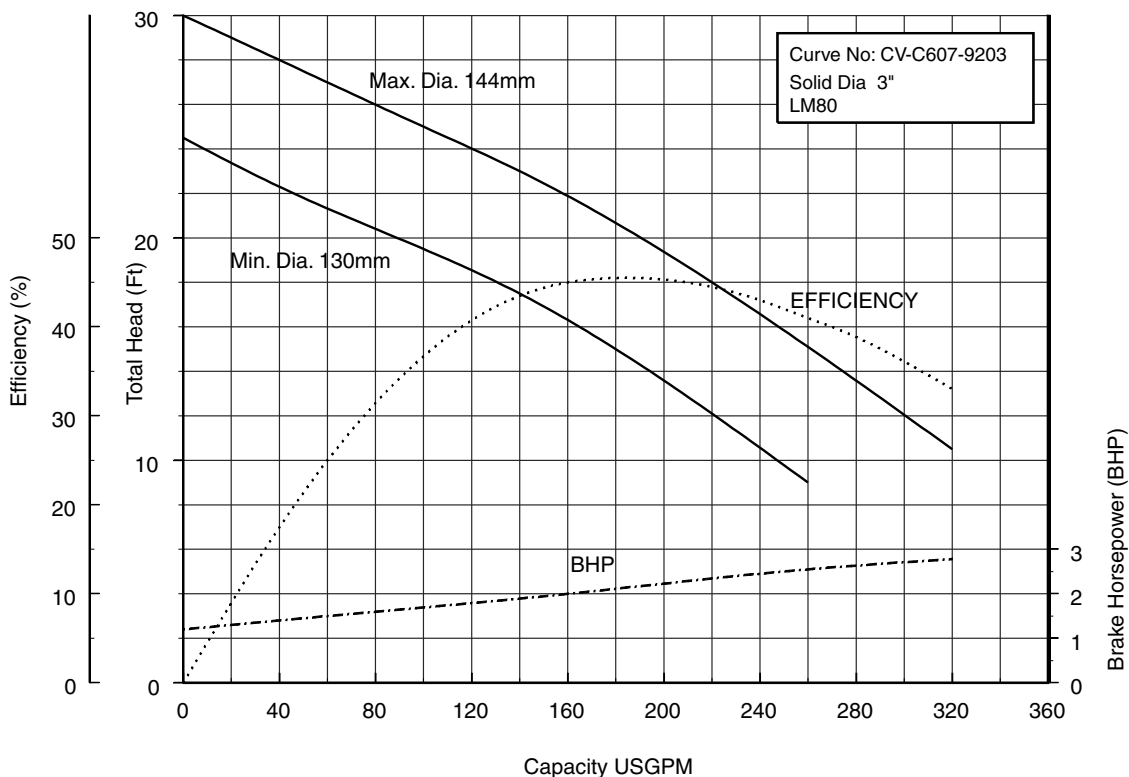
80CVF61.5 (2HP) Synchronous Speed: 1800 RPM

2, 3 inch Discharge



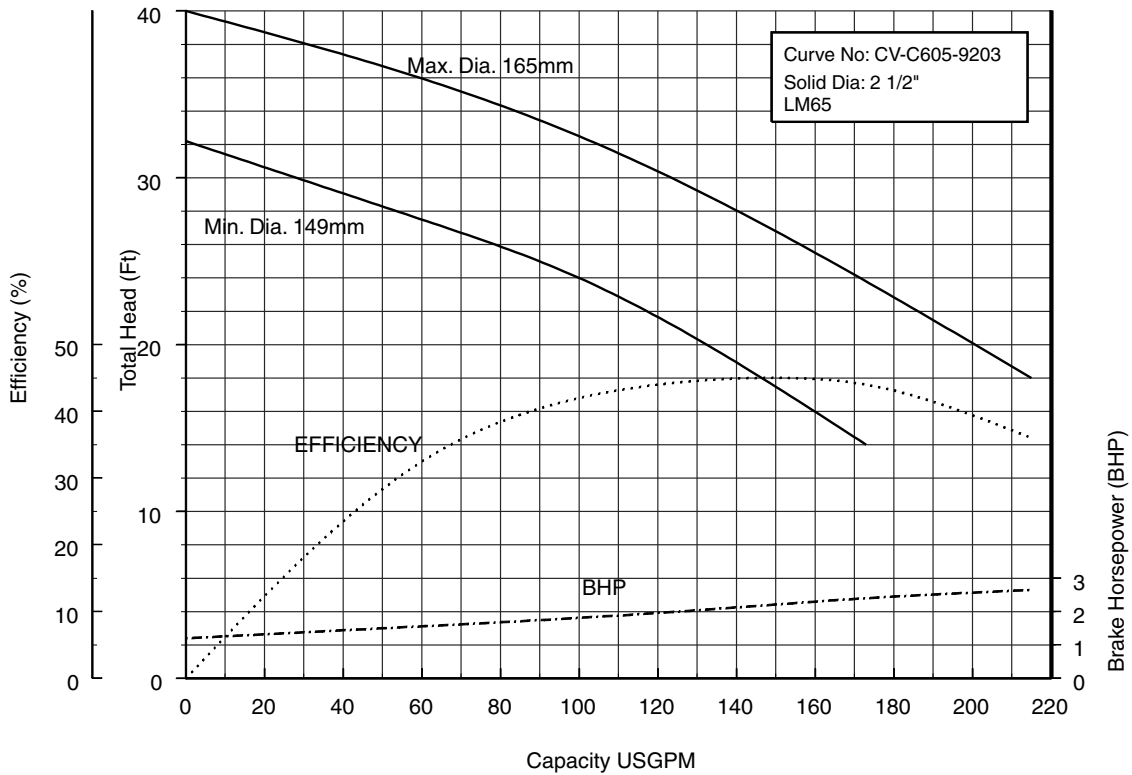
80CVBF62.2 (3HP) Synchronous Speed: 1800 RPM

3, 4 inch Discharge



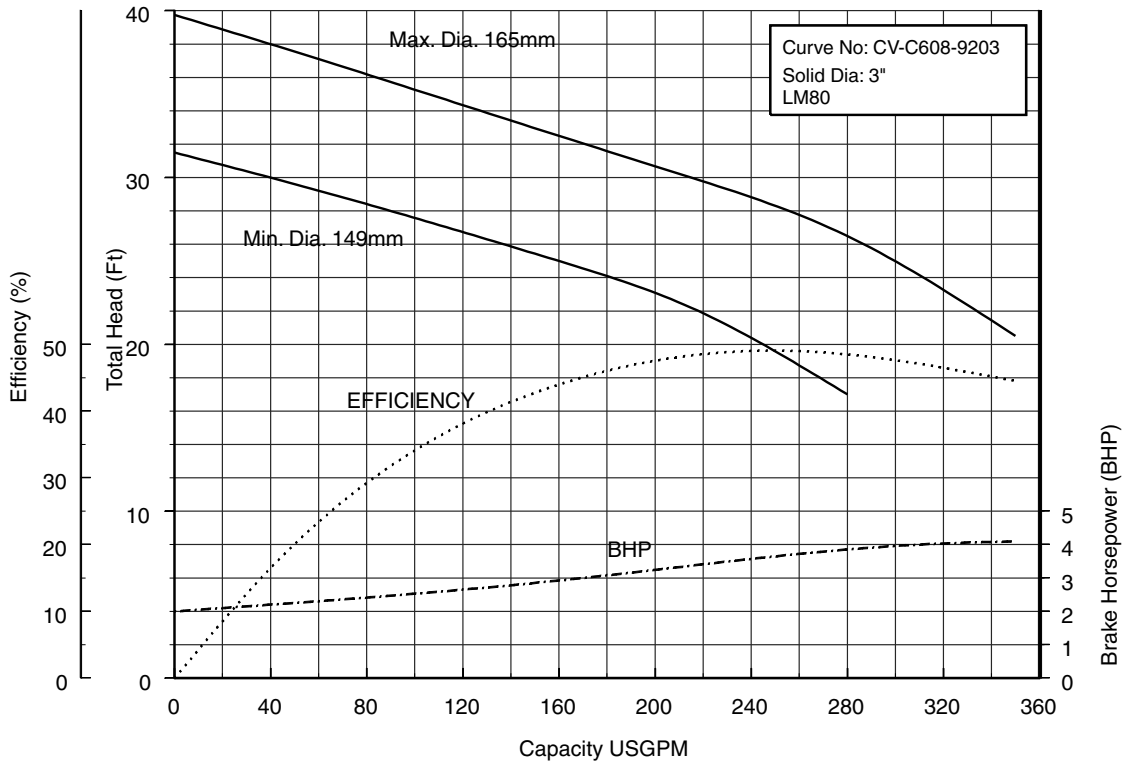
80CVCF62.2 (3HP) Synchronous Speed: 1800 RPM

2, 3 inch Discharge



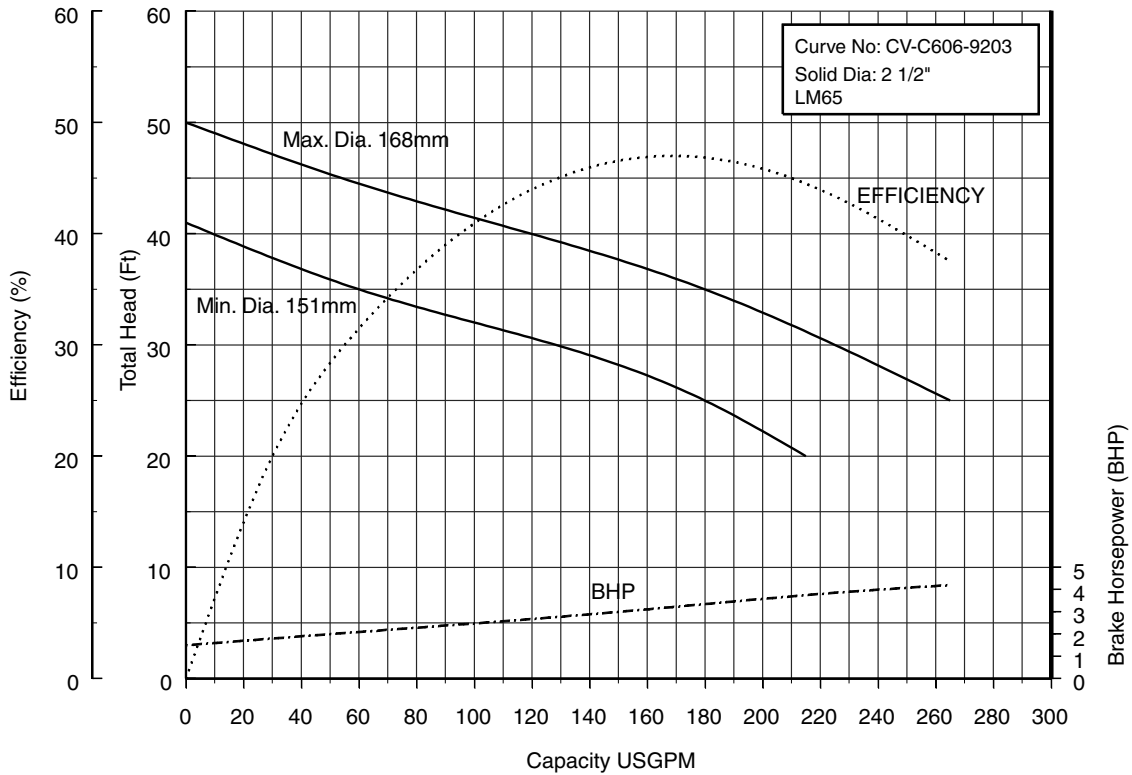
80CVBF63.7 (5HP) Synchronous Speed: 1800 RPM

3, 4 inch Discharge



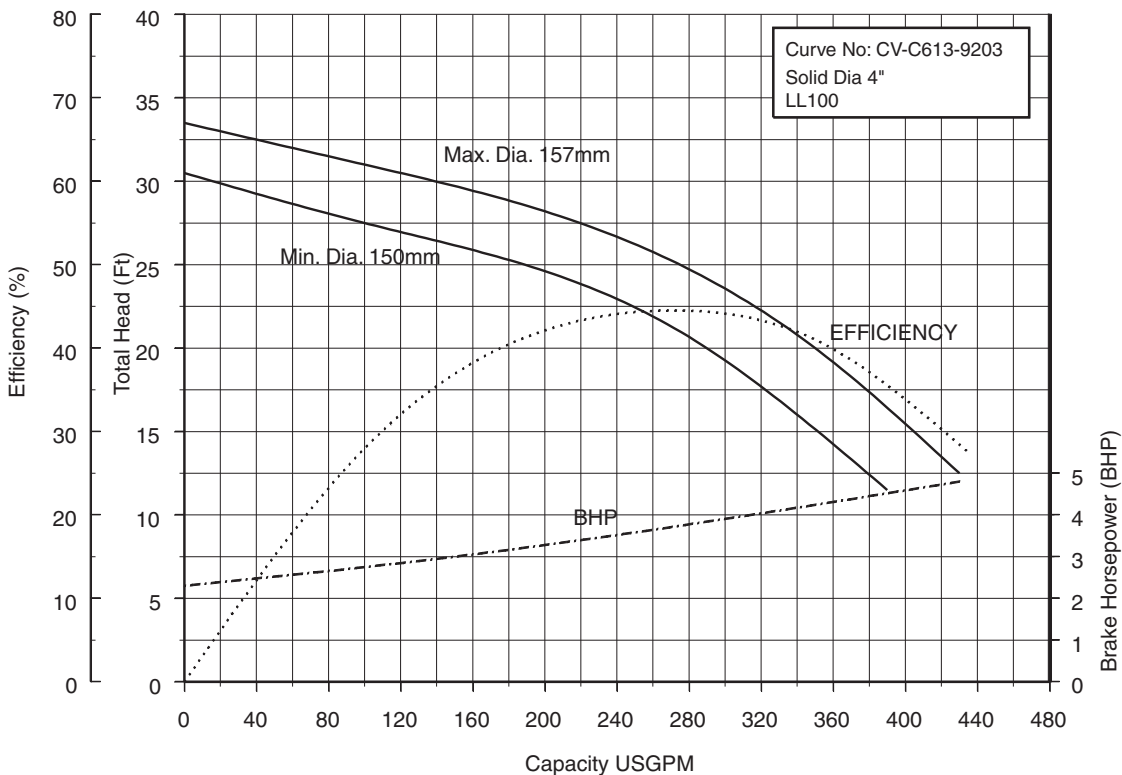
80CVCF63.7 (5HP) Synchronous Speed: 1800 RPM

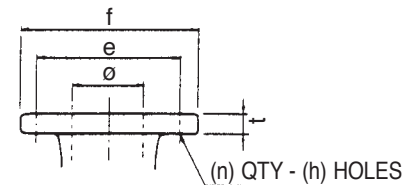
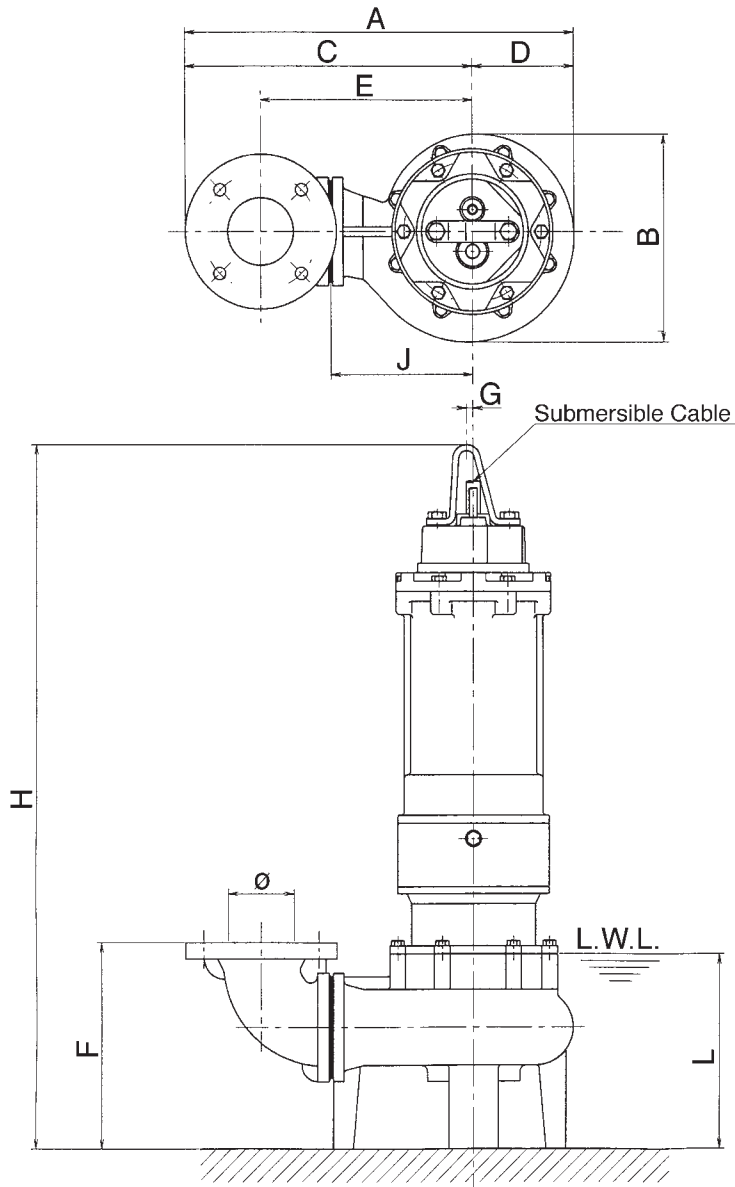
2, 3 inch Discharge



100CVF63.7 (5HP) Synchronous Speed: 1800 RPM

3, 4 inch Discharge





Flange (ANSI 125 PSI F.F)

inch					
Ø	e	f	t	n	h
2	4 ³ / ₄	6	5 ⁵ / ₈	4	3 ³ / ₄

mm					
Ø	e	f	t	n	h
50	121	152	16	4	19

Dimensions: inch

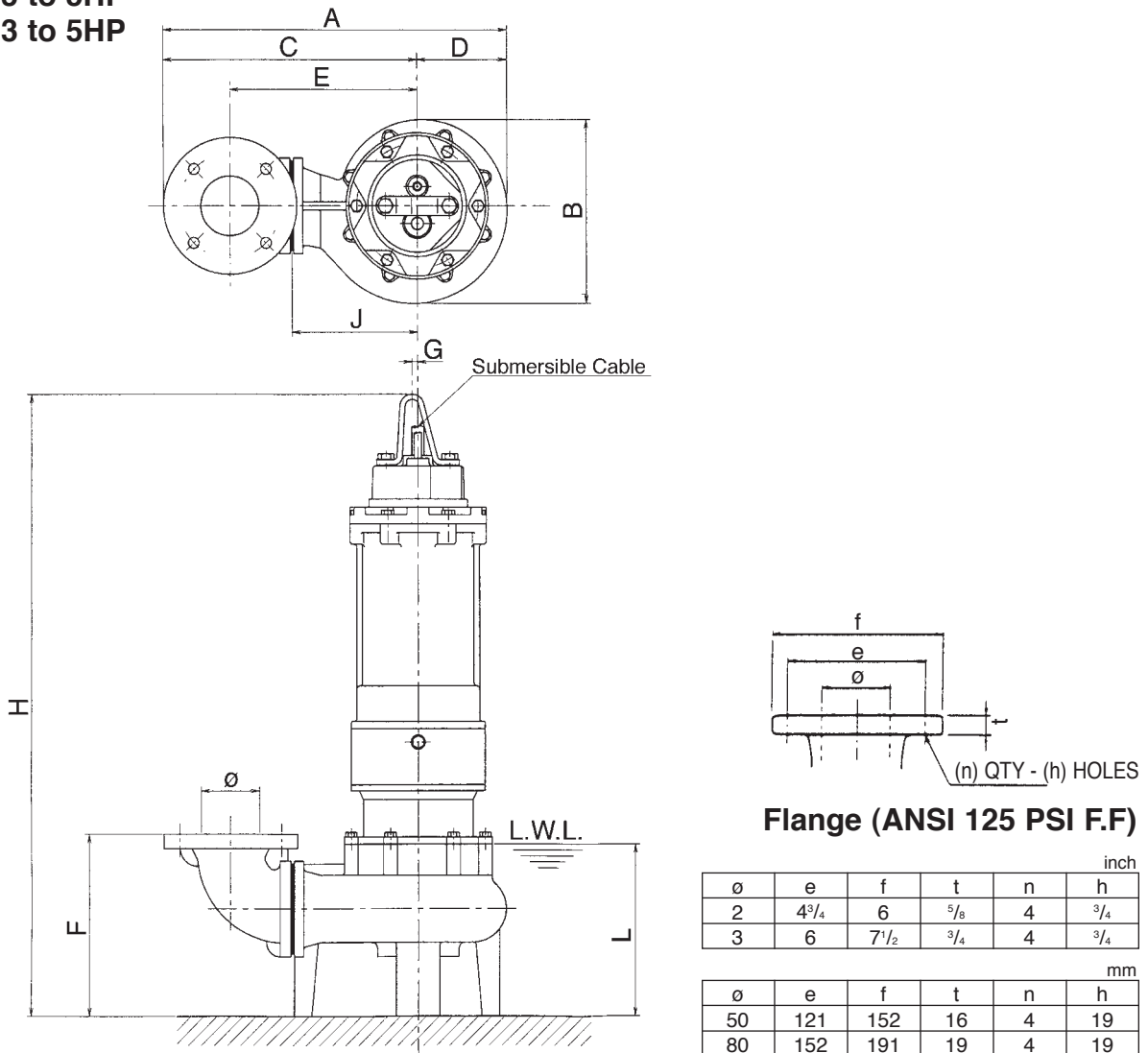
PHASE	SIZE Ø	MODEL	OUTPUT		PUMP & MOTOR								WEIGHT Lb		
			kW	HP	A	B	C	D	E	F	G	H		J	L
THREE	2	50CVFU61.5	1.5	2	15 ³ / ₄	9 ³ / ₈	11 ¹ / ₁₆	4 ¹¹ / ₁₆	8 ¹ / ₁₆	7 ⁵ / ₁₆	5 ⁵ / ₁₆	28	5 ⁷ / ₈	6 ⁷ / ₈	121
		50CVFU62.2	2.2	3	15 ³ / ₄	9 ³ / ₈	11 ¹ / ₁₆	4 ¹¹ / ₁₆	8 ¹ / ₁₆	7 ⁵ / ₁₆	5 ⁵ / ₁₆	29	5 ⁷ / ₈	6 ⁷ / ₈	150

Dimensions: mm

PHASE	SIZE Ø	MODEL	OUTPUT		PUMP & MOTOR								WEIGHT kg		
			kW	HP	A	B	C	D	E	F	G	H		J	L
THREE	50	50CVFU61.5	1.5	2	400	238	281	119	205	185	8	711	150	175	55
		50CVFU62.2	2.2	3	400	238	281	119	205	185	8	737	150	175	68

Dimensions

80CVFU 2HP
 80CVBFU 3 to 5HP
 80CVCFU 3 to 5HP



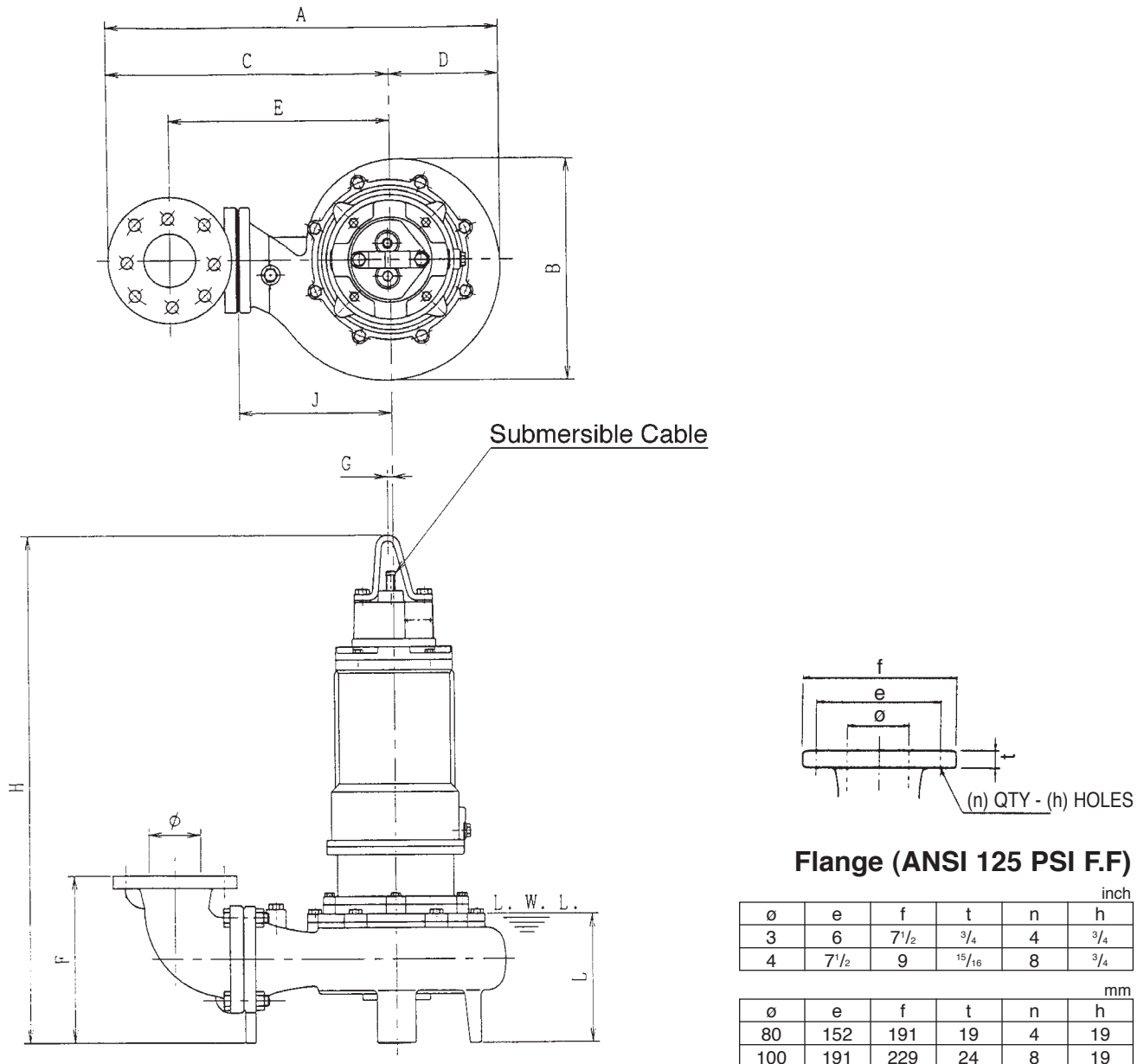
Dimensions: inch

PHASE	SIZE ø	MODEL	OUTPUT		PUMP & MOTOR										WEIGHT Lb
			kW	HP	A	B	C	D	E	F	G	H	J	L	
THREE	2/3	80CVFU61.5	1.5	2	17 ¹¹ / ₁₆	9 ³ / ₈	13 ¹ / ₁₆	4 ¹¹ / ₁₆	9 ¹ / ₄	8 ¹³ / ₁₆	5 ⁵ / ₁₆	29 ⁷ / ₁₆	6 ⁵ / ₁₆	8 ¹ / ₁₆	130
		80CVCFU62.2	2.2	3	17 ¹¹ / ₁₆	9 ³ / ₈	13 ¹ / ₁₆	4 ¹¹ / ₁₆	9 ¹ / ₄	8 ¹³ / ₁₆	5 ⁵ / ₁₆	30 ⁷ / ₁₆	6 ⁵ / ₁₆	8 ¹ / ₄	159
		80CVCFU63.7	3.7	5	17 ¹¹ / ₁₆	9 ³ / ₈	13 ¹ / ₁₆	4 ¹¹ / ₁₆	9 ¹ / ₄	8 ¹³ / ₁₆	5 ⁵ / ₁₆	32	6 ⁵ / ₁₆	8 ¹ / ₄	172
	3/4	80CVBFU62.2	2.2	3	18 ⁹ / ₁₆	9 ¹⁵ / ₁₆	13 ⁵ / ₈	4 ¹⁵ / ₁₆	9 ¹³ / ₁₆	10	5 ⁵ / ₁₆	32 ⁵ / ₁₆	6 ⁷ / ₈	10 ¹ / ₄	176
80CVBFU63.7		3.7	5	18 ⁹ / ₁₆	9 ¹⁵ / ₁₆	13 ⁵ / ₈	4 ¹⁵ / ₁₆	9 ¹³ / ₁₆	10	5 ⁵ / ₁₆	33 ⁷ / ₈	6 ⁷ / ₈	10 ¹ / ₄	176	

Dimensions: mm

PHASE	SIZE ø	MODEL	OUTPUT		PUMP & MOTOR										WEIGHT kg
			kW	HP	A	B	C	D	E	F	G	H	J	L	
THREE	50/80	80CVFU61.5	1.5	2	450	238	331	119	235	224	8	747	160	205	59
		80CVCFU62.2	2.2	3	450	238	331	119	235	224	8	773	160	210	72
		80CVCFU63.7	3.7	5	450	238	331	119	235	224	8	813	160	210	78
	80/100	80CVBFU62.2	2.2	3	471	252	346	125	250	254	8	820	175	260	80
80CVBFU63.7		3.7	5	471	252	346	125	250	254	8	860	175	260	80	

***Note:** All dimensions are based on 3" discharge.



Dimensions: inch

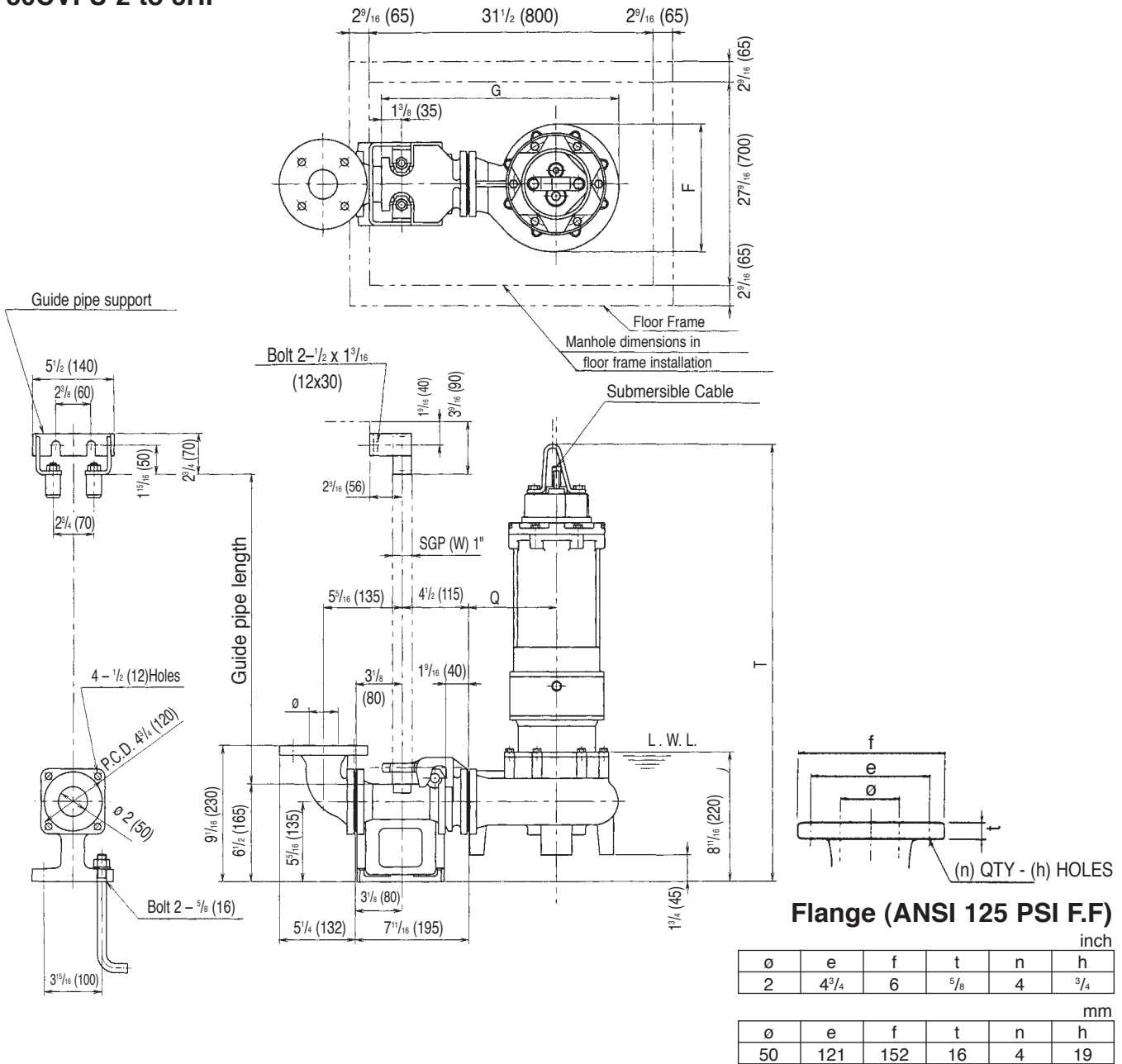
PHASE	SIZE ø	MODEL	OUTPUT		PUMP & MOTOR										WEIGHT Lb
			kW	HP	A	B	C	D	E	F	G	H	J	L	
THREE	3/4	100CVFU63.7	3.7	5	23 ³ / ₁₆	12 ¹ / ₈	17 ¹ / ₈	6 ¹ / ₁₆	12 ⁵ / ₈	12	⁵ / ₁₆	36 ¹ / ₁₆	8 ⁷ / ₁₆	12 ³ / ₈	209

Dimensions: mm

PHASE	SIZE ø	MODEL	OUTPUT		PUMP & MOTOR										WEIGHT kg
			kW	HP	A	B	C	D	E	F	G	H	J	L	
THREE	80/100	100CVFU63.7	3.7	5	589	308	435	154	320	305	8	916	215	315	95

Dimensions

Model CVFU with Quick Discharge Connector 50CVFU 2 to 3HP



Dimensions: inch

PHASE	SIZE ø	MODEL	OUTPUT		Q.D.C. MODEL	PUMP & MOTOR				WEIGHT Lb	
			kW	HP		F	G	Q	T	PUMP	Q.D.C.
THREE	2	50CVFU61.5	1.5	2	LM50	9 ⁹ / ₈	16 ¹ / ₄	5 ⁷ / ₈	29 ³ / ₄	121	24
		50CVFU62.2	2.2	3	LM50	9 ⁹ / ₈	15 ¹ / ₈	5 ⁷ / ₈	30 ¹³ / ₁₆	150	24

Dimensions: mm

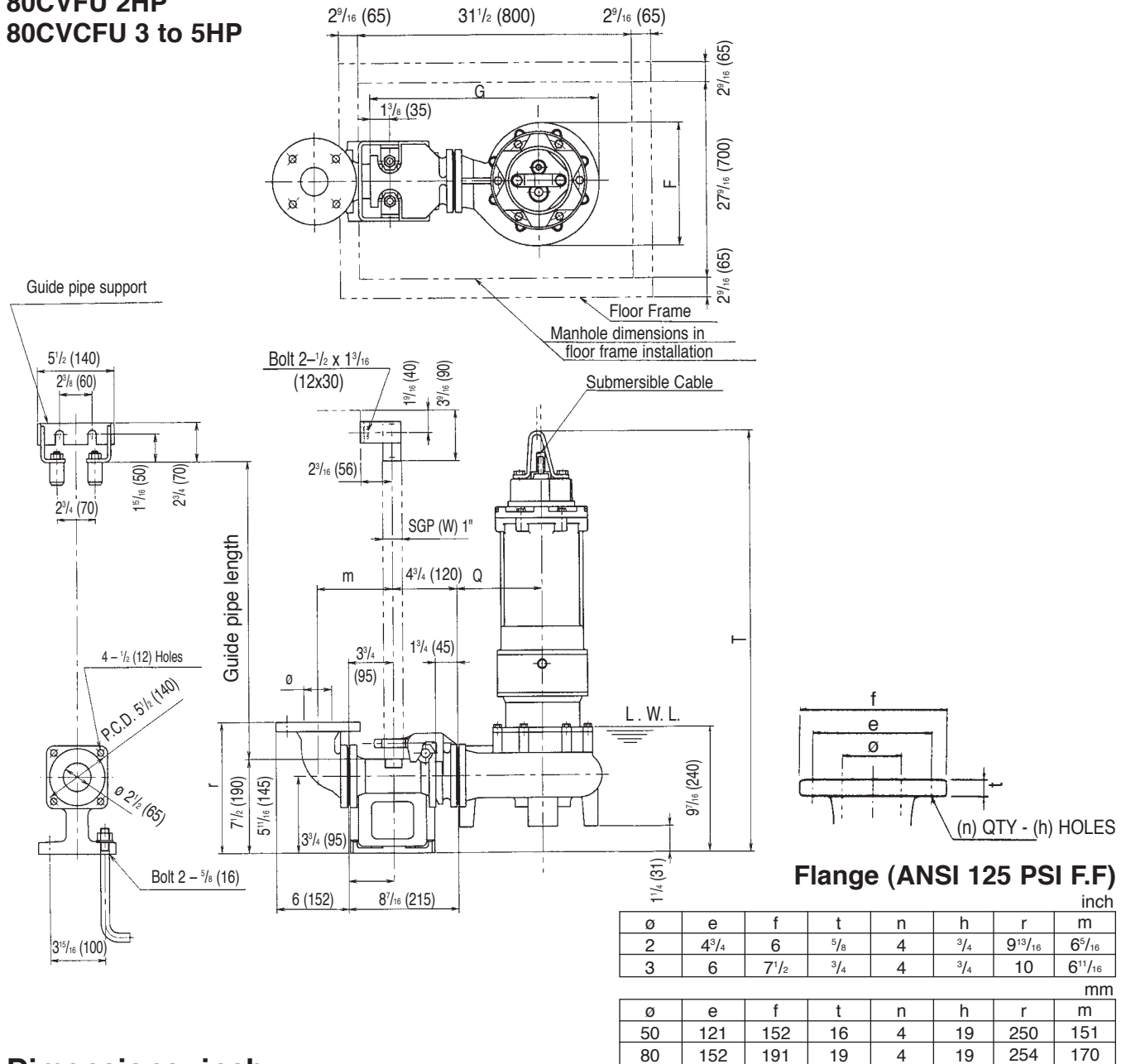
PHASE	SIZE ø	MODEL	OUTPUT		Q.D.C. MODEL	PUMP & MOTOR				WEIGHT kg	
			kW	HP		F	G	Q	T	PUMP	Q.D.C.
THREE	50	50CVFU61.5	1.5	2	LM50	238	413	150	756	55	11
		50CVFU62.2	2.2	3	LM50	238	384	150	782	68	11

Dimensions

Model CVFU with Quick Discharge Connector

80CVFU 2HP

80CVCFU 3 to 5HP



Dimensions: inch

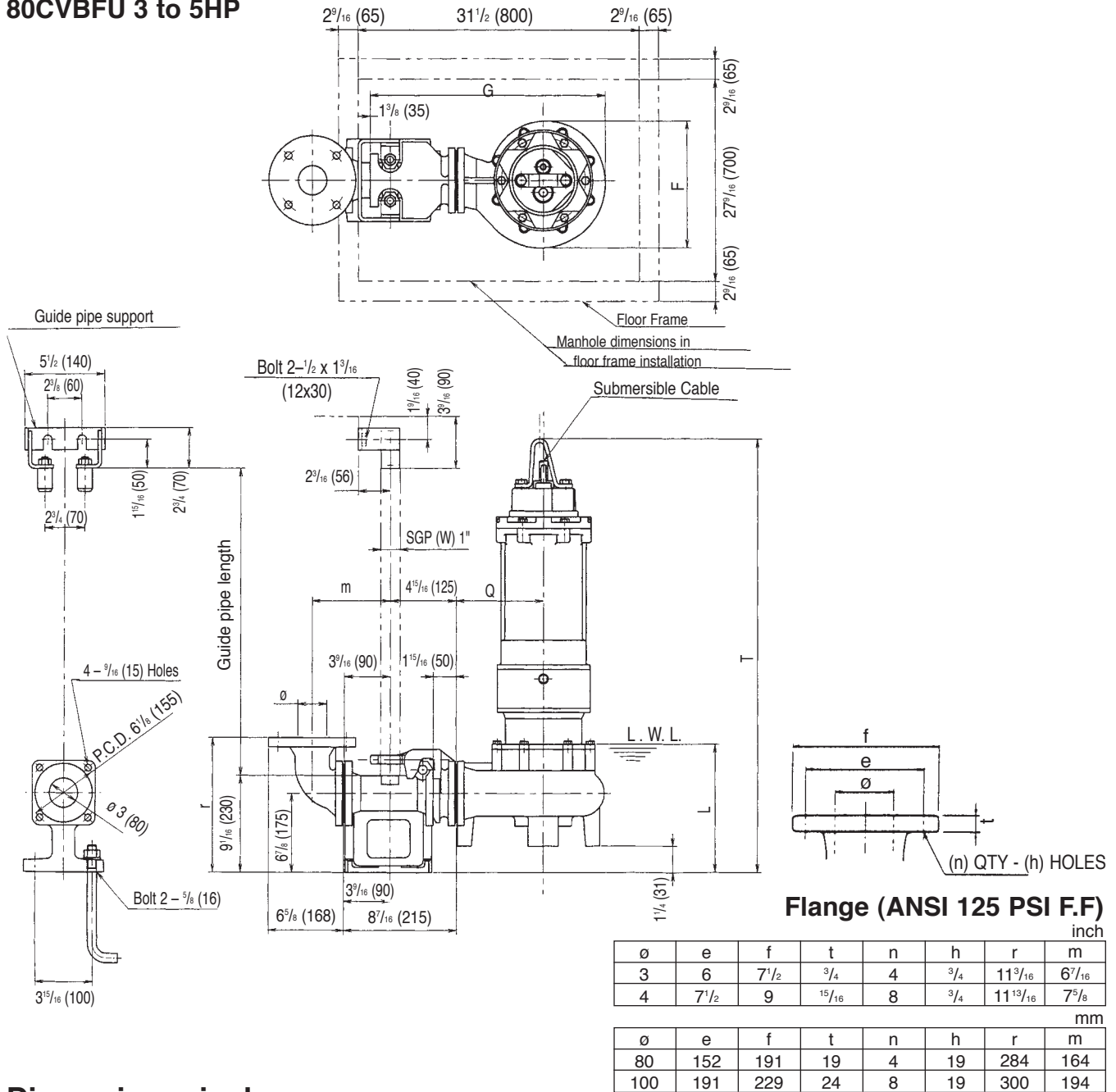
PHASE	SIZE ø	MODEL	OUTPUT		Q.D.C. MODEL	PUMP & MOTOR				WEIGHT Lb	
			kW	HP		F	G	Q	T	PUMP	Q.D.C.
THREE	2/3	80CVFU61.5	1.5	2	LM65	9 ³ / ₈	16 ⁷ / ₈	6 ⁵ / ₁₆	30 ⁵ / ₈	130	31
		80CVCFU62.2	2.2	3	LM65	9 ³ / ₈	16 ⁷ / ₈	6 ⁵ / ₁₆	31 ¹¹ / ₁₆	159	31
		80CVCFU63.7	3.7	5	LM65	9 ³ / ₈	19	6 ⁵ / ₁₆	33 ¹ / ₄	172	31

Dimensions: mm

PHASE	SIZE ø	MODEL	OUTPUT		Q.D.C. MODEL	PUMP & MOTOR				WEIGHT kg	
			kW	HP		F	G	Q	T	PUMP	Q.D.C.
THREE	50/80	80CVFU61.5	1.5	2	LM65	238	428	160	778	59	14
		80CVCFU62.2	2.2	3	LM65	238	428	160	805	72	14
		80CVCFU63.7	3.7	5	LM65	238	482	160	845	78	14

Dimensions

Model CVFU with Quick Discharge Connector 80CVBFU 3 to 5HP



Dimensions: inch

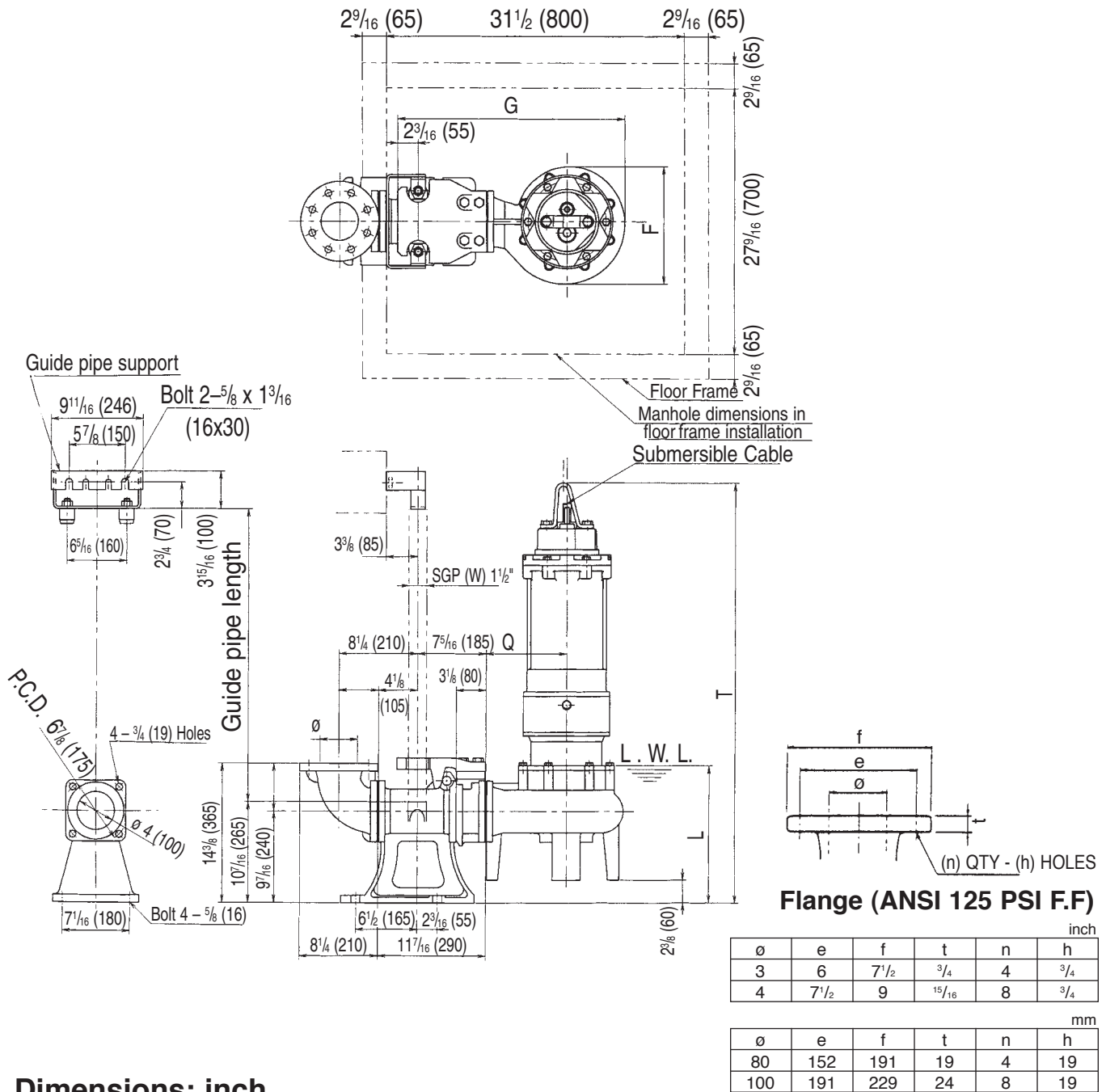
PHASE	SIZE ø	MODEL	OUTPUT		Q.D.C. MODEL	PUMP & MOTOR					WEIGHT Lb	
			kW	HP		F	G	L	Q	T	PUMP	Q.D.C.
THREE	3/4	80CVBFU62.2	2.2	3	LM80	9 15/16	18 1/8	11 7/16	6 7/8	33 1/2	176	37
		80CVBFU63.7	3.7	5	LM80	9 15/16	18 1/8	11 7/16	6 7/8	35 1/16	176	37

Dimensions: mm

PHASE	SIZE ø	MODEL	OUTPUT		Q.D.C. MODEL	PUMP & MOTOR					WEIGHT kg	
			kW	HP		F	G	L	Q	T	PUMP	Q.D.C.
THREE	80/100	80CVBFU62.2	2.2	3	LM80	252	460	290	175	851	80	17
		80CVBFU63.7	3.7	5	LM80	252	460	290	175	891	80	17

Dimensions

Model DVFU with Quick Discharge Connector 100CVFU 5HP

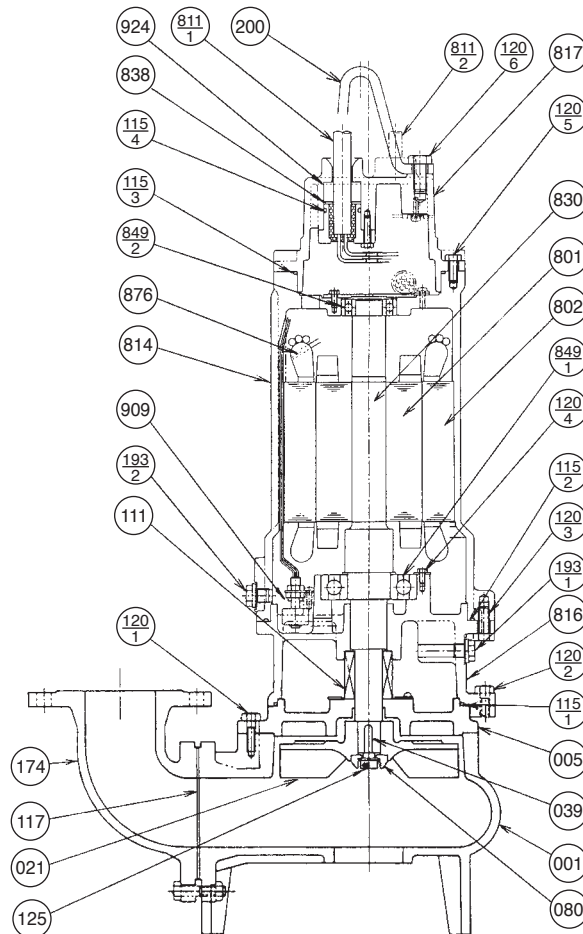


Dimensions: inch

PHASE	SIZE ø	MODEL	OUTPUT		Q.D.C. MODEL	PUMP & MOTOR					WEIGHT Lb	
			KW	HP		F	G	L	Q	T	PUMP	Q.D.C.
THREE	3/4	100CVFU63.7	3.7	5	LL100	12 1/8	24	14 3/4	8 7/16	38 7/16	209	101

Dimensions: mm

PHASE	SIZE ø	MODEL	OUTPUT		Q.D.C. MODEL	PUMP & MOTOR					WEIGHT kg	
			KW	HP		F	G	L	Q	T	PUMP	Q.D.C.
THREE	80/100	100CVFU63.7	3.7	5	LL100	308	609	375	215	976	95	46



PART NO.	PART NAME	MATERIAL	ASTM, AISI CODE	NO. FOR 1 UNIT
001	CASING	CAST IRON	A48 Class 30	1
005	INTERMEDIATE CASING	CAST IRON	A48 Class 30	1
†021	IMPELLER	CAST IRON	A48 Class 30	1
039	KEY	420 STAINLESS	AISI420	1
080	BUSHING	STEEL	A283 Grade D	1
†111	MECHANICAL SEAL	—		1 SET
†115-1	O-RING	RUBBER (NBR)		1
†115-2	O-RING	RUBBER (NBR)		1
†115-3	O-RING	RUBBER (NBR)		1
†115-4	O-RING	RUBBER (NBR)		2
†117	GASKET			1
120-1	BOLT	304 STAINLESS	AISI304	4
120-2	BOLT	304 STAINLESS	AISI304	4
120-3	BOLT	304 STAINLESS	AISI304	4
120-4	BOLT	304 STAINLESS	AISI304	3
120-5	BOLT	304 STAINLESS	AISI304	4
120-6	BOLT	304 STAINLESS	AISI304	2
125	BOLT	304 STAINLESS	AISI304	1

PART NO.	PART NAME	MATERIAL	ASTM, AISI CODE	NO. FOR 1 UNIT
174	DISCHARGE ELBOW	CAST IRON	A48 Class 30	1
193-1	PLUG	304 STAINLESS	AISI304	1
193-2	PLUG	304 STAINLESS	AISI304	1
200	LIFTING HANGER	STEEL	A283 Grade D	1
801	ROTOR	—		1
802	STATOR	—		1
811-1	POWER CABLE	—		1
811-2	CONTROL CABLE	—		1
814	MOTOR COVER	CAST IRON	A48 Class 30	1
816	BRACKET	CAST IRON	A48 Class 30	1
817	BRACKET	CAST IRON	A48 Class 30	1
830	SHAFT	403 STAINLESS	AISI403	1
838	WASHER	304 STAINLESS	AISI304	2
†849-1	BALL BEARING	—		1
†849-2	BALL BEARING	—		1
876	MOTOR PROTECTOR	—		3
909	LEAKAGE DETECTOR	—		1
924	PACKING	RUBBER (NBR)		2

Motors are purchased as a complete unit

†: Recommended spare parts

