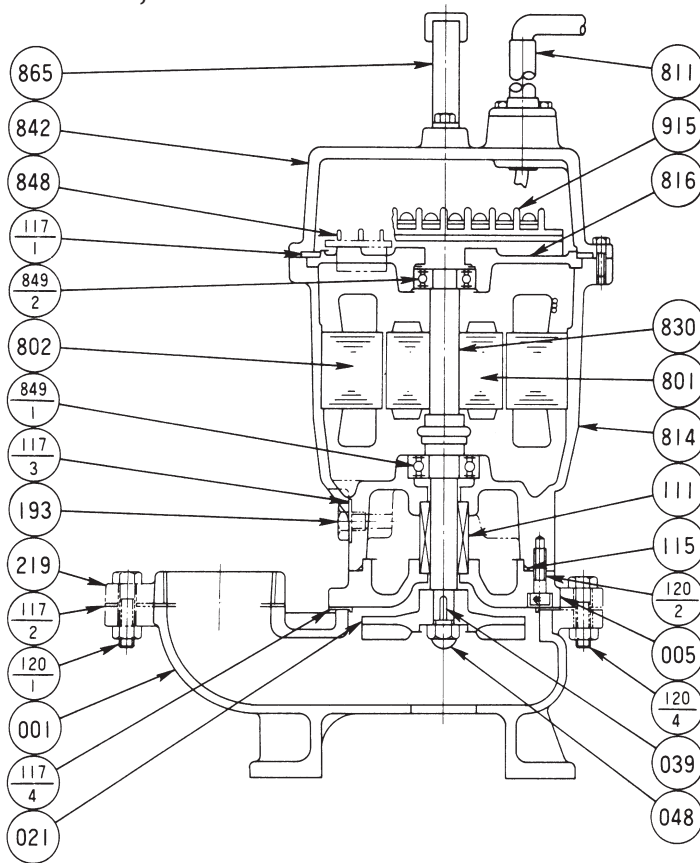


**Model CVSHU**  
**Sectional View**

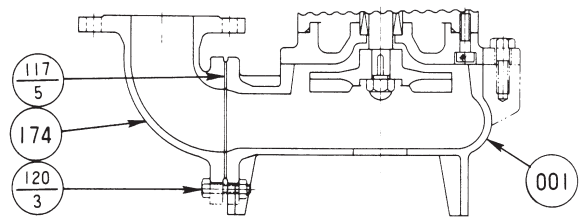
**EBARA PRO Cast Vortex Sewage Pumps**

Hot Water Pumps  
1/2 to 5 HP

**50CVSU, CVSHU**



**80CVSU, CVSHU**



PART NO.	PART NAME	MATERIAL	ASTM, AISI CODE	NO. FOR 1 UNIT
001	CASING	CAST IRON	A48 Class 30	1
005	INTERMEDIATE CASING	CAST IRON	A48 Class 30	1
021	IMPELLER	CAST IRON	A48 Class 30	1
039	KEY	420 STAINLESS	AISI420	1
048	IMPELLER NUT	STEEL	A283 Grade D	1
†111	MECHANICAL SEAL	—		1
†115	O-RING	RUBBER (NBR)		1
†117-1	GASKET	RUBBER (NBR)		1
†117-2	GASKET	RUBBER (CR or NBR)		1
†117-3	GASKET			1
†117-4	GASKET	RUBBER (NR)		1
†117-5	GASKET			1
120-1	BOLT	304 STAINLESS	AISI304	2
120-2	BOLT	304 STAINLESS	AISI304	3 or 4
120-3	BOLT	304 STAINLESS	AISI304	4
120-4	BOLT	304 STAINLESS	AISI304	3 or 4

PART NO.	PART NAME	MATERIAL	ASTM, AISI CODE	NO. FOR 1 UNIT
174	DISCHARGE ELBOW	CAST IRON	A48 Class 30	1
193	OIL PLUG	316 STAINLESS	AISI 304	1
219	COMPANION FLANGE	CAST IRON	A48 Class 30	1
801	ROTOR	—		1
802	STATOR	—		1
811	SUBMERSIBLE CABLE	—		1
814	MOTOR FRAME	CAST IRON	A48 Class 30	1
816	BRACKET	CAST IRON	A48 Class 30	1
830	SHAFT	403 STAINLESS	AISI403	1
842	MOTOR COVER	CAST IRON	A48 Class 30	1
848	MOTOR PROTECTOR	—		1
†849-1	BALL BEARING	—		1
†849-2	BALL BEARING	—		1
865	HANDLE	304 STAINLESS	AISI304	1
915	EXTERNAL TERMINAL	—		1

Motors are purchased as a complete unit.  
Parts No. 915 is not installed for CVSHU.

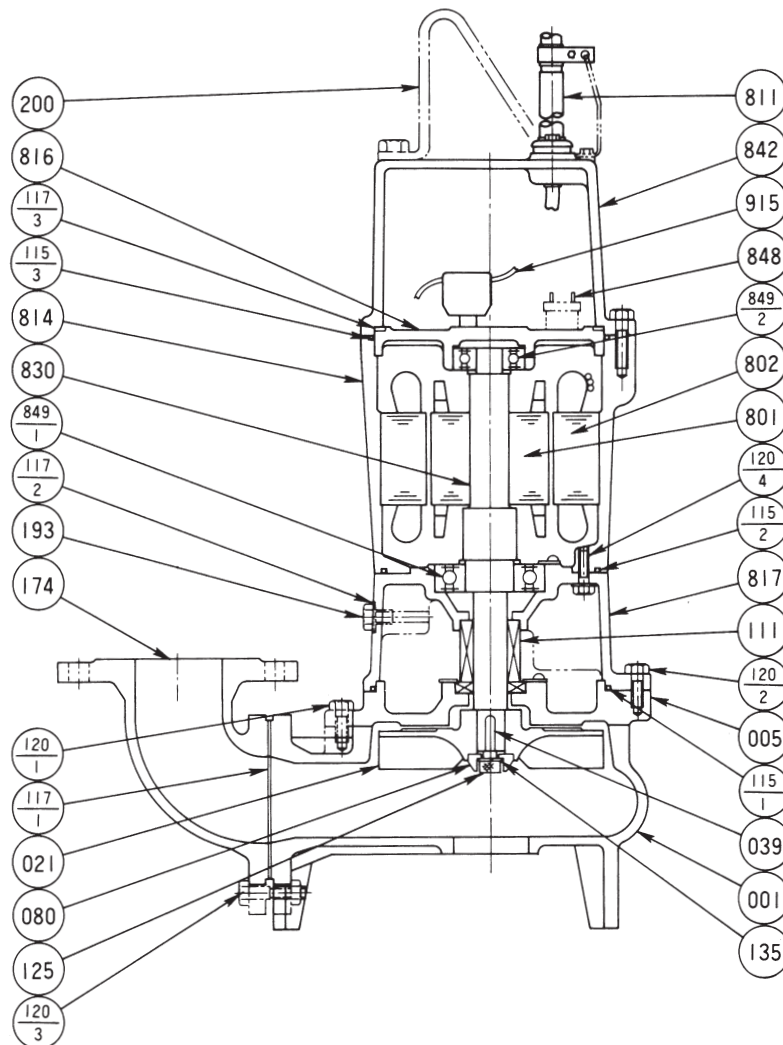
†: Recommended spare parts.

Model CVSU

EBARA PRO Cast Vortex Sewage Pumps

Sectional View

Hot Water Pumps  
3 to 5 HP



Motors are purchased as a complete unit.  
Parts No. 915 is not installed for CVSHU.

PART NO.	PART NAME	MATERIAL	ASTM, AISI CODE	NO. FOR 1 UNIT	PART NO.	PART NAME	MATERIAL	ASTM, AISI CODE	NO. FOR 1 UNIT
001	CASING	CAST IRON	A48 Class 30	1	135	WASHER	304 STAINLESS	AISI304	1
005	INTERMEDIATE CASING	CAST IRON	A48 Class 30	1	174	DISCHARGE ELBOW	CAST IRON	A48 Class 30	1
021	IMPELLER	CAST IRON	A48 Class 30	1	193	OIL PLUG	316 STAINLESS	AISI316	1
039	KEY	420 STAINLESS	AISI420	1	200	LIFTING HANGER	STEEL	A283 Grade D	1
080	BUSHING	STEEL	A283 Grade D	1	801	ROTOR	—	—	1
†111	MECHANICAL SEAL	—	—	1	802	STATOR	—	—	1
†115-1	O-RING	RUBBER (NBR)	—	1	811	SUBMERSIBLE CABLE	—	—	1
†115-2	O-RING	RUBBER (NBR)	—	1	814	MOTOR FRAME	CAST IRON	A48 Class 30	1
†115-3	O-RING	RUBBER (NBR)	—	2	816	BRACKET	CAST IRON	A48 Class 30	1
†117-1	GASKET	—	—	1	817	BRACKET	CAST IRON	A48 Class 30	1
†117-2	GASKET	—	—	1	830	SHAFT	403 STAINLESS	AISI403	1
†117-3	GASKET	RUBBER (NBR)	—	1	842	MOTOR COVER	CAST IRON	A48 Class 30	1
120-1	BOLT	304 STAINLESS	AISI304	4	848	MOTOR PROTECTOR	—	—	1
120-2	BOLT	304 STAINLESS	AISI304	4	†849-1	BALL BEARING	—	—	1
120-3	BOLT	304 STAINLESS	AISI304	4	†849-2	BALL BEARING	—	—	1
120-4	BOLT	304 STAINLESS	AISI304	4	915	EXTERNAL TERMINAL	—	—	1
125	BOLT	304 STAINLESS	AISI304	1					

†: Recommended spare parts.