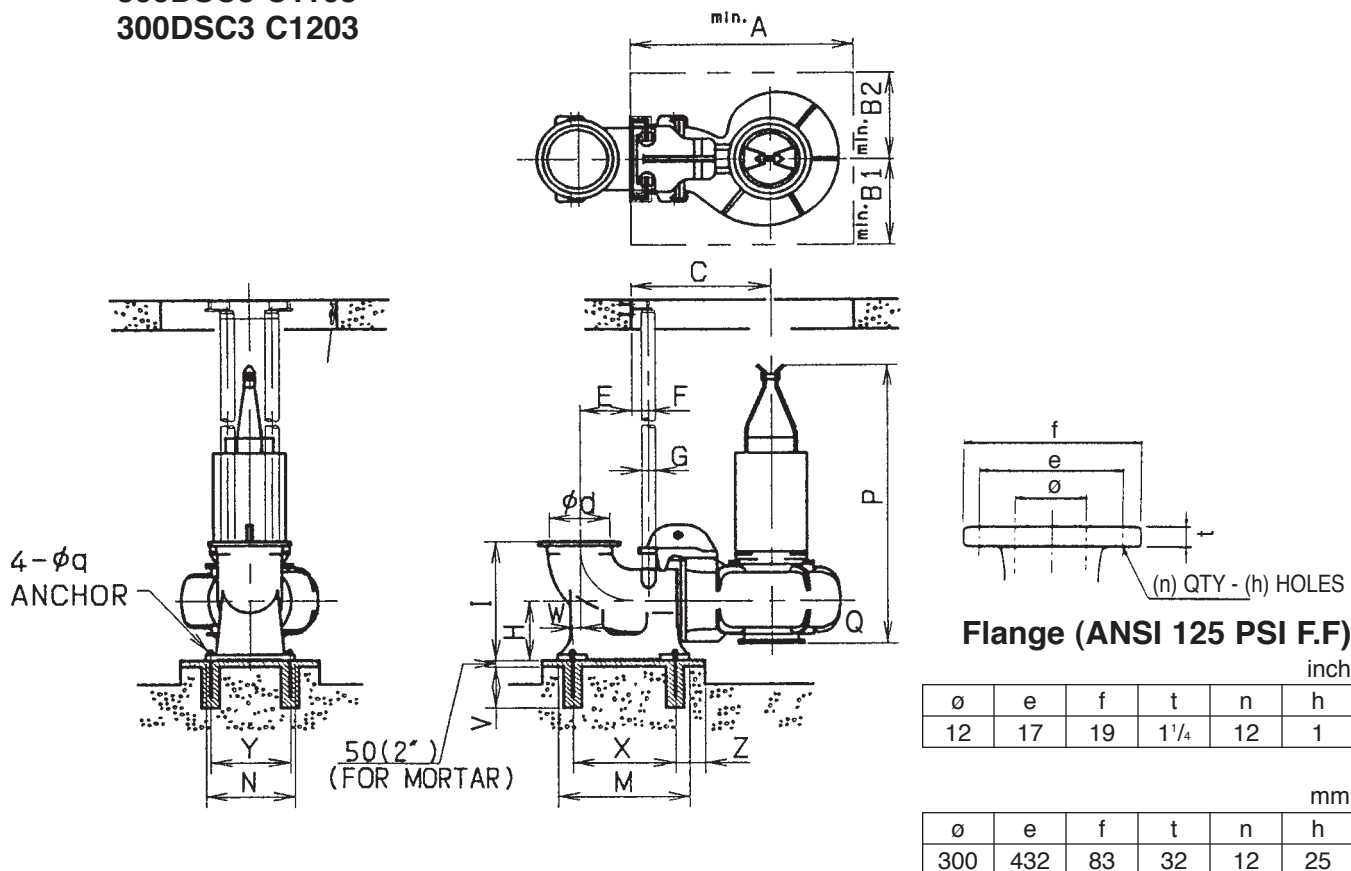


Dimensions

Project: _____ Model: _____ Chk'd: _____ Date: _____

Model DSC3 with Quick Discharge Connector
300DSC3 C1103
300DSC3 C1203



Dimensions: inch

W1: pump weight
W2: QDC weight

Model (Pole)	HP	Pump & Motor																			Weight (Lbs.) †		
		d	A	B1	B2	C	E	F	G	H	I	M	N	P	Q	V	W	X	Y	Z	q	W1	W2
C1103-1760 (4 Poles)	50	12	53 1/8	17 5/16	14 3/16	30 11/16	13 3/8	4 3/16	3	13 3/4	26 3/4	30 11/16	22 3/16	71 5/8	9 13/16	17 11/16	0	23 5/8	19 11/16	7 1/8	1 5/16	1940	551
	60	12	53 1/8	17 5/16	14 3/16	30 11/16	13 3/8	4 3/16	3	13 3/4	26 3/4	30 11/16	22 3/16	71 5/8	9 13/16	17 11/16	0	23 5/8	19 11/16	7 1/8	1 5/16	1984	551
	75	12	53 1/8	17 5/16	14 3/16	30 11/16	13 3/8	4 3/16	3	13 3/4	26 3/4	30 11/16	22 3/16	71 5/8	9 13/16	17 11/16	0	23 5/8	19 11/16	7 1/8	1 5/16	2028	551
C1203-1770 (4 Poles)	75	12	57 1/16	18 5/16	15 3/16	32 5/16	13 3/8	4 3/16	3	13 3/4	26 3/4	30 11/16	22 3/16	73 1/4	10 5/8	17 11/16	0	23 5/8	19 11/16	7 1/8	1 5/16	2227	551
	100	12	57 1/16	18 5/16	15 3/16	32 5/16	13 3/8	4 3/16	3	13 3/4	26 3/4	30 11/16	22 3/16	77 3/16	10 5/8	17 11/16	0	23 5/8	19 11/16	7 1/8	1 5/16	2359	551
	120	12	57 1/16	18 5/16	15 3/16	32 5/16	13 3/8	4 3/16	3	13 3/4	26 3/4	30 11/16	22 3/16	92 1/8	10 5/8	17 11/16	0	23 5/8	19 11/16	7 1/8	1 5/16	3108	551

Dimensions: mm

Model (Pole)	KW	Pump & Motor																			Weight (kgf)		
		d	A	B1	B2	C	E	F	G	H	I	M	N	P	Q	V	W	X	Y	Z	q	W1	W2
C1103-1760 (4 Poles)	37	300	1350	440	360	780	340	110	80	350	680	780	580	1820	250	450	0	600	500	200	24	880	250
	45	300	1350	440	360	780	340	110	80	350	680	780	580	1820	250	450	0	600	500	200	24	900	250
	55	300	1350	440	360	780	340	110	80	350	680	780	580	1820	250	450	0	600	500	200	24	920	250
C1203-1770 (4 Poles)	55	300	1450	465	385	820	340	110	80	350	680	780	580	1860	270	450	0	600	500	200	24	1010	250
	75	300	1450	465	385	820	340	110	80	350	680	780	580	1960	270	450	0	600	500	200	24	1070	250
	90	300	1450	465	385	820	340	110	80	350	680	780	580	2340	270	450	0	600	500	200	24	1410	250

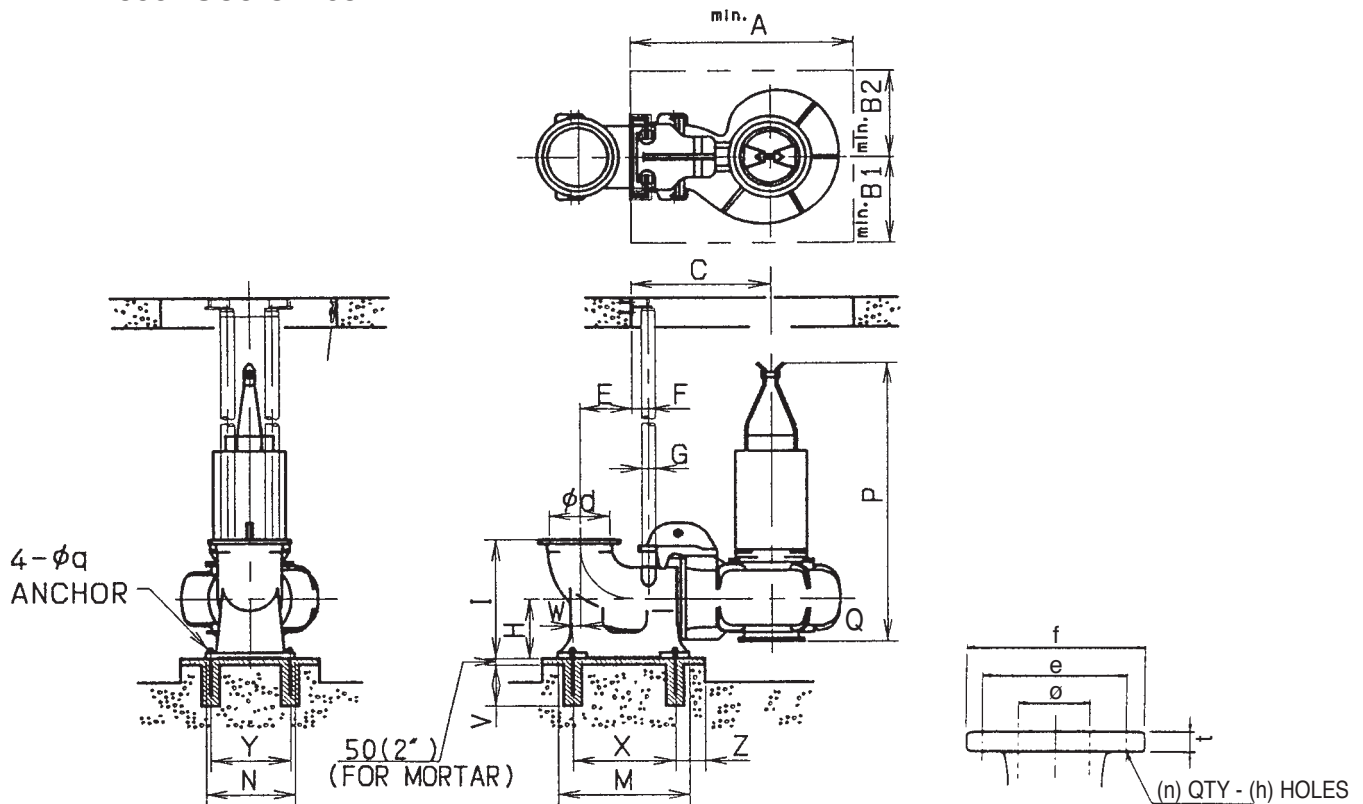
Dimensions are Approximate

† Note: Includes weight of 33 ft. standard length cables.

Dimensions

Project: _____ Model: _____ Chk'd: _____ Date: _____

Model DSC3 with Quick Discharge Connector
350DSC3 C1463



Flange (ANSI 125 PSI F.F)

inch					
ø	e	f	t	n	h
14	18 ³ / ₄	21	1 ³ / ₈	12	1 ¹ / ₈
mm					
ø	e	f	t	n	h
350	476	533	35	12	29

Dimensions: inch

W1: pump weight
W2: QDC weight

Model (Pole)	HP	Pump & Motor																			Weight (Lbs.) †		
		d	A	B1	B2	C	E	F	G	H	I	M	N	P	Q	V	W	X	Y	Z	q	W1	W2
C1463-880 (8 Poles)	30	14	63	21 ⁷ / ₁₆	17 ¹⁵ / ₁₆	38 ⁹ / ₁₆	13 ³ / ₈	5 ¹ / ₂	4	13 ³ / ₄	28 ³ / ₈	32 ¹¹ / ₁₆	22 ¹³ / ₁₆	76 ³ / ₄	13	17 ¹¹ / ₁₆	0	25 ⁹ / ₁₆	19 ¹¹ / ₁₆	7 ⁷ / ₈	1	2778	705
	40	14	63	21 ⁷ / ₁₆	17 ¹⁵ / ₁₆	38 ⁹ / ₁₆	13 ³ / ₈	5 ¹ / ₂	4	13 ³ / ₄	28 ³ / ₈	32 ¹¹ / ₁₆	22 ¹³ / ₁₆	80 ¹¹ / ₁₆	13	17 ¹¹ / ₁₆	0	25 ⁹ / ₁₆	19 ¹¹ / ₁₆	7 ⁷ / ₈	1	2866	705
	50	14	63	21 ⁷ / ₁₆	17 ¹⁵ / ₁₆	38 ⁹ / ₁₆	13 ³ / ₈	5 ¹ / ₂	4	13 ³ / ₄	28 ³ / ₈	32 ¹¹ / ₁₆	22 ¹³ / ₁₆	80 ¹¹ / ₁₆	13	17 ¹¹ / ₁₆	0	25 ⁹ / ₁₆	19 ¹¹ / ₁₆	7 ⁷ / ₈	1	2976	705

Dimensions: mm

Model (Pole)	KW	Pump & Motor																			Weight (Lbs.) †		
		d	A	B1	B2	C	E	F	G	H	I	M	N	P	Q	V	W	X	Y	Z	q	W1	W2
C1463-880 (8 Poles)	22	350	1600	545	455	980	340	140	100	350	720	830	580	1950	2050	450	0	650	500	200	24	1260	320
	30	350	1600	545	455	980	340	140	100	350	720	830	580	1990	2050	450	0	650	500	200	24	1300	320
	37	350	1600	545	455	980	340	140	100	350	720	830	580	2050	2050	450	0	650	500	200	24	1320	320

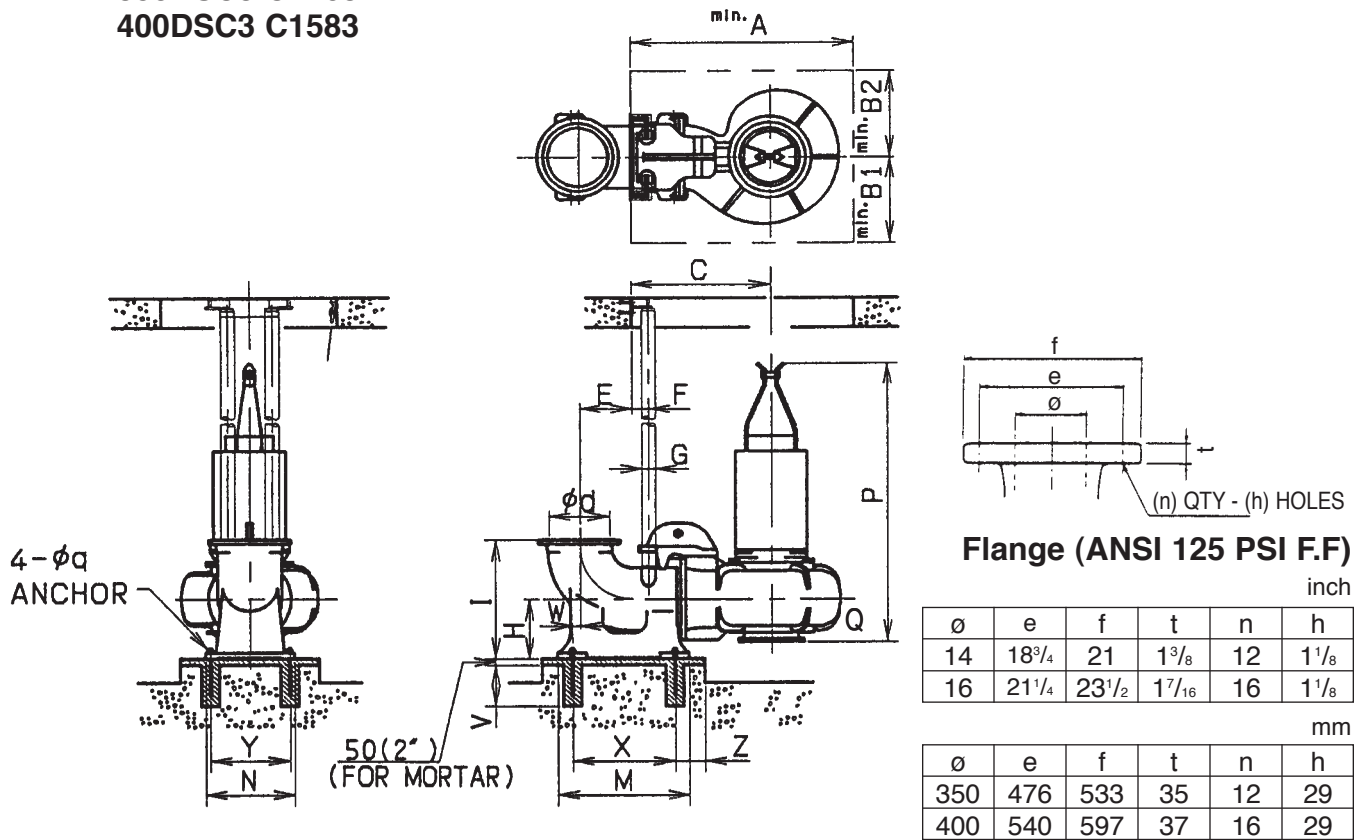
Dimensions are Approximate

† Note: Includes weight of 33 ft. standard length cables.

Dimensions

Project: _____ Model: _____ Chk'd: _____ Date: _____

Model DSC3 with Quick Discharge Connector
350DSC3 C1463
400DSC3 C1583



Dimensions: inch

W1: pump weight
W2: QDC weight

Model (Pole)	HP	Pump & Motor																			Weight (Lbs.) †		
		d	A	B1	B2	C	E	F	G	H	I	M	N	P	Q	V	W	X	Y	Z	q	W1	W2
C1463-1170 (6 Poles)	60	14	63	21 ^{7/16}	17 ^{15/16}	38 ^{9/16}	13 ^{3/8}	5 ^{1/2}	4	13 ^{3/4}	28 ^{3/8}	32 ^{11/16}	22 ^{13/16}	80 ^{11/16}	13	17 ^{11/16}	0	25 ^{9/16}	19 ^{11/16}	7 ^{7/8}	15 ^{1/16}	2866	705
	75	14	63	21 ^{7/16}	17 ^{15/16}	38 ^{9/16}	13 ^{3/8}	5 ^{1/2}	4	13 ^{3/4}	28 ^{3/8}	32 ^{11/16}	22 ^{13/16}	80 ^{11/16}	13	17 ^{11/16}	0	25 ^{9/16}	19 ^{11/16}	7 ^{7/8}	15 ^{1/16}	2866	705
	100	14	63	21 ^{7/16}	17 ^{15/16}	38 ^{9/16}	13 ^{3/8}	5 ^{1/2}	4	13 ^{3/4}	28 ^{3/8}	32 ^{11/16}	22 ^{13/16}	88 ^{9/16}	13	17 ^{11/16}	0	25 ^{9/16}	19 ^{11/16}	7 ^{7/8}	15 ^{1/16}	3571	705
C1583-880 (8 Poles)	40	16	65	23 ^{3/8}	19 ^{11/16}	40 ^{9/16}	15 ^{3/8}	5 ^{1/2}	4	15 ^{3/4}	31 ^{7/8}	34 ^{5/8}	24 ^{13/16}	81 ^{7/8}	14	17 ^{11/16}	0	27 ^{9/16}	21 ^{5/8}	7 ^{7/8}	15 ^{1/16}	3219	820
	50	16	65	23 ^{3/8}	19 ^{11/16}	40 ^{9/16}	15 ^{3/8}	5 ^{1/2}	4	15 ^{3/4}	31 ^{7/8}	34 ^{5/8}	24 ^{13/16}	81 ^{7/8}	14	17 ^{11/16}	0	27 ^{9/16}	21 ^{5/8}	7 ^{7/8}	15 ^{1/16}	3263	820
	60	16	65	23 ^{3/8}	19 ^{11/16}	40 ^{9/16}	15 ^{3/8}	5 ^{1/2}	4	15 ^{3/4}	31 ^{7/8}	34 ^{5/8}	24 ^{13/16}	89 ^{3/4}	14	17 ^{11/16}	0	27 ^{9/16}	21 ^{5/8}	7 ^{7/8}	15 ^{1/16}	3924	820

Dimensions: mm

Model (Pole)	KW	Pump & Motor																			Weight (kgf) †		
		d	A	B1	B2	C	E	F	G	H	I	M	N	P	Q	V	W	X	Y	Z	q	W1	W2
C1463-1170 (6 Poles)	45	350	1600	545	455	980	340	140	100	350	720	830	580	2050	330	450	0	650	500	200	24	1300	320
	55	350	1600	545	455	980	340	140	100	350	720	830	580	2050	330	450	0	650	500	200	24	1300	320
	75	350	1600	545	455	980	340	140	100	350	720	830	580	2240	330	450	0	650	500	200	24	1620	320
C1583-880 (8 Poles)	30	400	1650	600	500	1030	390	140	100	400	810	880	630	2080	355	450	0	700	550	200	24	1460	370
	37	400	1650	600	500	1030	390	140	100	400	810	880	630	2080	355	450	0	700	550	200	24	1480	370
	45	400	1650	600	500	1030	390	140	100	400	810	880	630	2280	355	450	0	700	550	200	24	1780	370

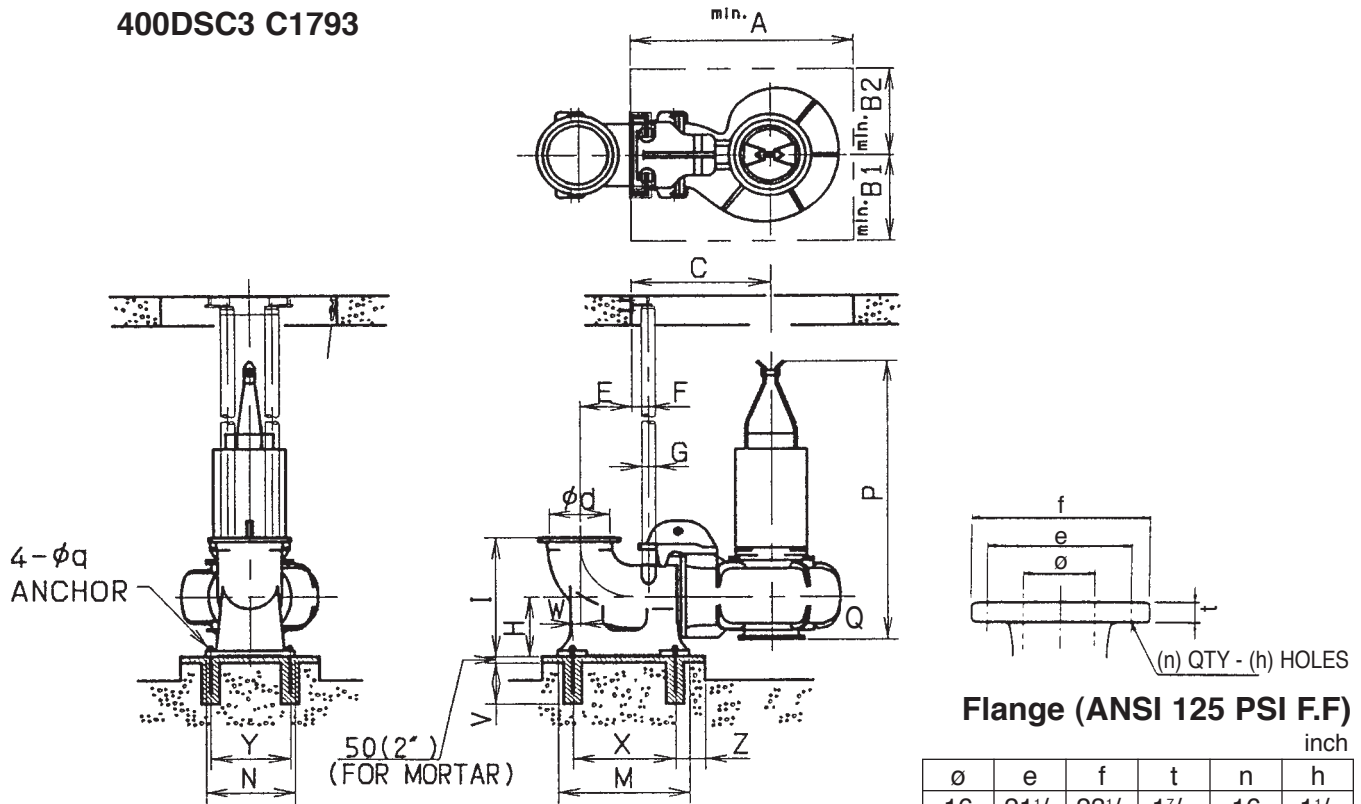
Dimensions are Approximate

† Note: Includes weight of 33 ft. standard length cables.

Dimensions

Project: _____ Model: _____ Chk'd: _____ Date: _____

Model DSC3 with Quick Discharge Connector
400DSC3 C1583
400DSC3 C1793



Flange (ANSI 125 PSI F.F)

inch					
ø	e	f	t	n	h
16	21 ¹ / ₄	23 ¹ / ₂	1 ⁷ / ₁₆	16	1 ¹ / ₈
mm					
ø	e	f	t	n	h
400	540	597	37	16	29

Dimensions: inch

W1: pump weight
W2: QDC weight

Model (Pole)	HP	Pump & Motor																			Weight (Lbs.) †1		
		d	A	B1	B2	C	E	F	G	H	I	M	N	P	Q	V	W	X	Y	Z	q	W1	W2
C1583-1175 (6 Poles)	100	16	65	23 ⁵ / ₈	19 ¹¹ / ₁₆	40 ⁹ / ₁₆	15 ³ / ₈	5 ¹ / ₂	4	15 ³ / ₄	31 ⁷ / ₈	34 ⁵ / ₈	24 ¹³ / ₁₆	89 ³ / ₄	14	17 ¹¹ / ₁₆	0	27 ⁹ / ₁₆	21 ⁵ / ₈	7 ⁷ / ₈	15 ¹⁵ / ₁₆	3924	820
	120	16	65	23 ⁵ / ₈	19 ¹¹ / ₁₆	40 ⁹ / ₁₆	15 ³ / ₈	5 ¹ / ₂	4	15 ³ / ₄	31 ⁷ / ₈	34 ⁵ / ₈	24 ¹³ / ₁₆	89 ³ / ₄	14	17 ¹¹ / ₁₆	0	27 ⁹ / ₁₆	21 ⁵ / ₈	7 ⁷ / ₈	15 ¹⁵ / ₁₆	4012	820
	145	16	65	23 ⁵ / ₈	19 ¹¹ / ₁₆	40 ⁹ / ₁₆	15 ³ / ₈	5 ¹ / ₂	4	15 ³ / ₄	31 ⁷ / ₈	34 ⁵ / ₈	24 ¹³ / ₁₆	95 ¹¹ / ₁₆	14	17 ¹¹ / ₁₆	0	27 ⁹ / ₁₆	21 ⁵ / ₈	7 ⁷ / ₈	15 ¹⁵ / ₁₆	4145	820
C1793-885 (8 Poles)	75	16	70 ⁷ / ₈	26	21 ¹ / ₄	44 ¹ / ₈	15 ³ / ₈	5 ¹ / ₂	4	15 ³ / ₄	31 ⁷ / ₈	34 ⁵ / ₈	24 ¹³ / ₁₆	95 ¹¹ / ₁₆	15 ³ / ₄	17 ¹¹ / ₁₆	0	27 ⁹ / ₁₆	21 ⁵ / ₈	7 ⁷ / ₈	15 ¹⁵ / ₁₆	4564	820
	100	16	70 ⁷ / ₈	26	21 ¹ / ₄	44 ¹ / ₈	15 ³ / ₈	5 ¹ / ₂	4	15 ³ / ₄	31 ⁷ / ₈	34 ⁵ / ₈	24 ¹³ / ₁₆	98 ¹ / ₁₆	15 ³ / ₄	17 ¹¹ / ₁₆	0	27 ⁹ / ₁₆	21 ⁵ / ₈	7 ⁷ / ₈	15 ¹⁵ / ₁₆	4850	820

Dimensions: mm

Model (Pole)	KW	Pump & Motor																			Weight (kgf) †1		
		d	A	B1	B2	C	E	F	G	H	I	M	N	P	Q	V	W	X	Y	Z	q	W1	W2
C1583-1175 (6 Poles)	75	400	1650	600	500	1030	390	140	100	400	810	880	630	2280	355	450	0	700	550	200	24	1780	370
	90	400	1650	600	500	1030	390	140	100	400	810	880	630	2280	355	450	0	700	550	200	24	1820	370
	110	400	1650	600	500	1030	390	140	100	400	810	880	630	2430	355	450	0	700	550	200	24	1880	370
C1793-885 (8 Poles)	55	400	1800	660	540	1120	390	140	100	400	810	880	630	2340	400	450	0	700	550	200	24	2070	370
	75	400	1800	660	540	1120	390	140	100	400	810	880	630	2490	400	450	0	700	550	200	24	2200	370

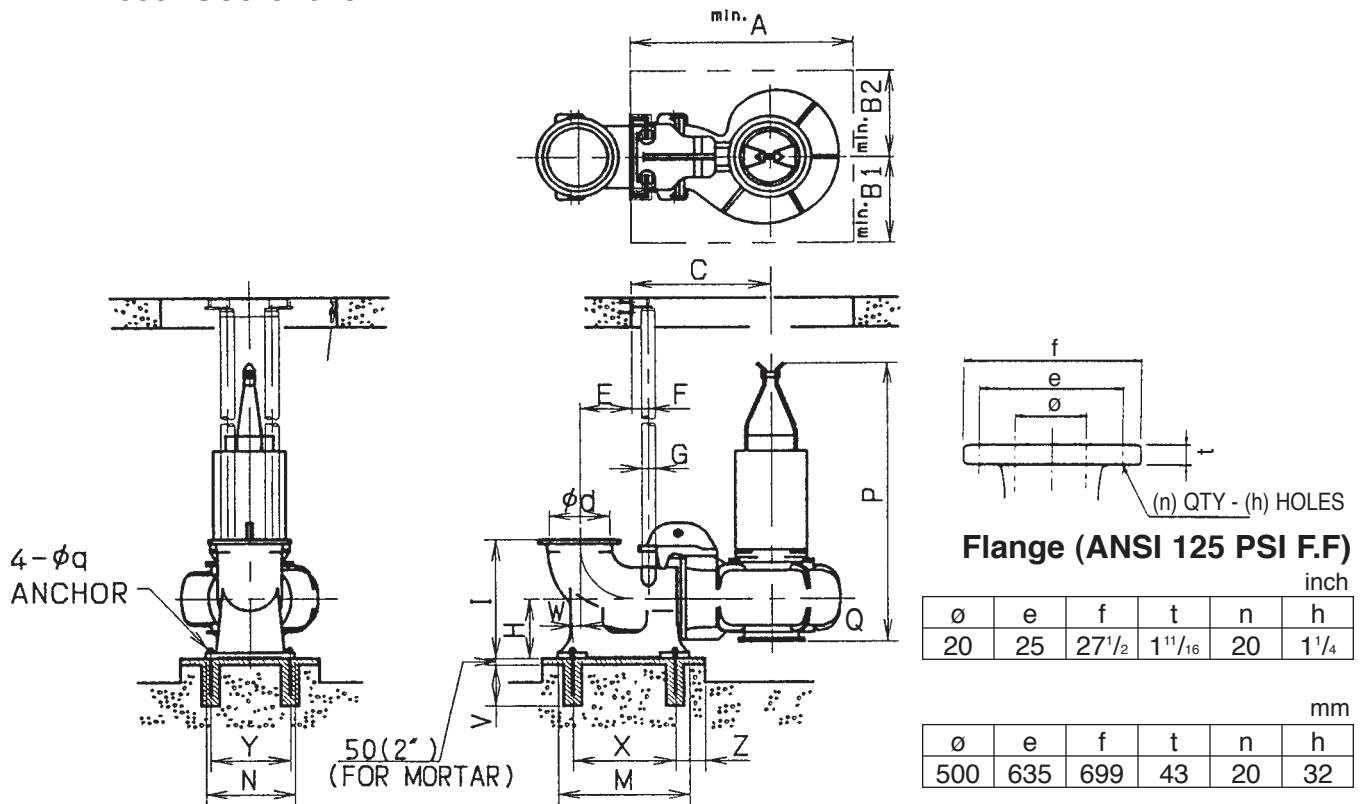
Dimensions are Approximate

† Note: Includes weight of 33 ft. standard length cables.

Dimensions

Project: _____ Model: _____ Chk'd: _____ Date: _____

Model DSC3 with Quick Discharge Connector
500DSC3 C1943



Dimensions: inch

W1: pump weight
W2: QDC weight

Model (Pole)	HP	Pump & Motor																			W1	W2	
		d	A	B1	B2	C	E	F	G	H	I	M	N	P	Q	V	W	X	Y	Z			q
C1943-710 (10 Poles)	50	20	78 ³ / ₄	28 ¹ / ₈	23 ¹ / ₁₆	48 ⁵ / ₈	19 ⁵ / ₁₆	5 ¹ / ₂	4	19 ¹¹ / ₁₆	39 ³ / ₈	42 ¹⁵ / ₁₆	28 ³ / ₄	94 ¹ / ₂	17 ¹ / ₈	17 ¹¹ / ₁₆	0	33 ⁷ / ₁₆	25 ⁹ / ₁₆	7 ⁷ / ₈	1	5269	1433
	60	20	78 ³ / ₄	28 ¹ / ₈	23 ¹ / ₁₆	48 ⁵ / ₈	19 ⁵ / ₁₆	5 ¹ / ₂	4	19 ¹¹ / ₁₆	39 ³ / ₈	42 ¹⁵ / ₁₆	28 ³ / ₄	100 ³ / ₈	17 ¹ / ₈	17 ¹¹ / ₁₆	0	33 ⁷ / ₁₆	25 ⁹ / ₁₆	7 ⁷ / ₈	1	5489	1433
	75	20	78 ³ / ₄	28 ¹ / ₈	23 ¹ / ₁₆	48 ⁵ / ₈	19 ⁵ / ₁₆	5 ¹ / ₂	4	19 ¹¹ / ₁₆	39 ³ / ₈	42 ¹⁵ / ₁₆	28 ³ / ₄	100 ³ / ₈	17 ¹ / ₈	17 ¹¹ / ₁₆	0	33 ⁷ / ₁₆	25 ⁹ / ₁₆	7 ⁷ / ₈	1	5556	1433
	100	20	78 ³ / ₄	28 ¹ / ₈	23 ¹ / ₁₆	48 ⁵ / ₈	19 ⁵ / ₁₆	5 ¹ / ₂	4	19 ¹¹ / ₁₆	39 ³ / ₈	42 ¹⁵ / ₁₆	28 ³ / ₄	113 ³ / ₄	17 ¹ / ₈	17 ¹¹ / ₁₆	0	33 ⁷ / ₁₆	25 ⁹ / ₁₆	7 ⁷ / ₈	1	6856	1433
C1943-885 (8 Poles)	100	20	78 ³ / ₄	28 ¹ / ₈	23 ¹ / ₁₆	48 ⁵ / ₈	19 ⁵ / ₁₆	5 ¹ / ₂	4	19 ¹¹ / ₁₆	39 ³ / ₈	42 ¹⁵ / ₁₆	28 ³ / ₄	100 ³ / ₈	17 ¹ / ₈	17 ¹¹ / ₁₆	0	33 ⁷ / ₁₆	25 ⁹ / ₁₆	7 ⁷ / ₈	1	5578	1433
	120	20	78 ³ / ₄	28 ¹ / ₈	23 ¹ / ₁₆	48 ⁵ / ₈	19 ⁵ / ₁₆	5 ¹ / ₂	4	19 ¹¹ / ₁₆	39 ³ / ₈	42 ¹⁵ / ₁₆	28 ³ / ₄	113 ³ / ₄	17 ¹ / ₈	17 ¹¹ / ₁₆	0	33 ⁷ / ₁₆	25 ⁹ / ₁₆	7 ⁷ / ₈	1	6724	1433
	145	20	78 ³ / ₄	28 ¹ / ₈	23 ¹ / ₁₆	48 ⁵ / ₈	19 ⁵ / ₁₆	5 ¹ / ₂	4	19 ¹¹ / ₁₆	39 ³ / ₈	42 ¹⁵ / ₁₆	28 ³ / ₄	113 ³ / ₄	17 ¹ / ₈	17 ¹¹ / ₁₆	0	33 ⁷ / ₁₆	25 ⁹ / ₁₆	7 ⁷ / ₈	1	6856	1433
	175	20	78 ³ / ₄	28 ¹ / ₈	23 ¹ / ₁₆	48 ⁵ / ₈	19 ⁵ / ₁₆	5 ¹ / ₂	4	19 ¹¹ / ₁₆	39 ³ / ₈	42 ¹⁵ / ₁₆	28 ³ / ₄	113 ³ / ₄	17 ¹ / ₈	17 ¹¹ / ₁₆	0	33 ⁷ / ₁₆	25 ⁹ / ₁₆	7 ⁷ / ₈	1	6967	1433

Dimensions: mm

Model (Pole)	KW	Pump & Motor																			Weight (kg) †		
		d	A	B1	B2	C	E	F	G	H	I	M	N	P	Q	V	W	X	Y	Z	q	W1	W2
C1943-710 (10 Poles)	37	500	2000	715	585	1235	490	140	100	500	1000	1090	730	2400	435	450	0	850	650	200	24	2390	650
	45	500	2000	715	585	1235	490	140	100	500	1000	1090	730	2550	435	450	0	850	650	200	24	2490	650
	55	500	2000	715	585	1235	490	140	100	500	1000	1090	730	2550	435	450	0	850	650	200	24	2520	650
	75	500	2000	715	585	1235	490	140	100	500	1000	1090	730	2890	435	450	0	850	650	200	24	3110	650
C1943-885 (8 Poles)	75	500	2000	715	585	1235	490	140	100	500	1000	1090	730	2550	435	450	0	850	650	200	24	2530	650
	90	500	2000	715	585	1235	490	140	100	500	1000	1090	730	2890	435	450	0	850	650	200	24	3050	650
	110	500	2000	715	585	1235	490	140	100	500	1000	1090	730	2890	435	450	0	850	650	200	24	3110	650
	132	500	2000	715	585	1235	490	140	100	500	1000	1090	730	2890	435	450	0	850	650	200	24	3160	650

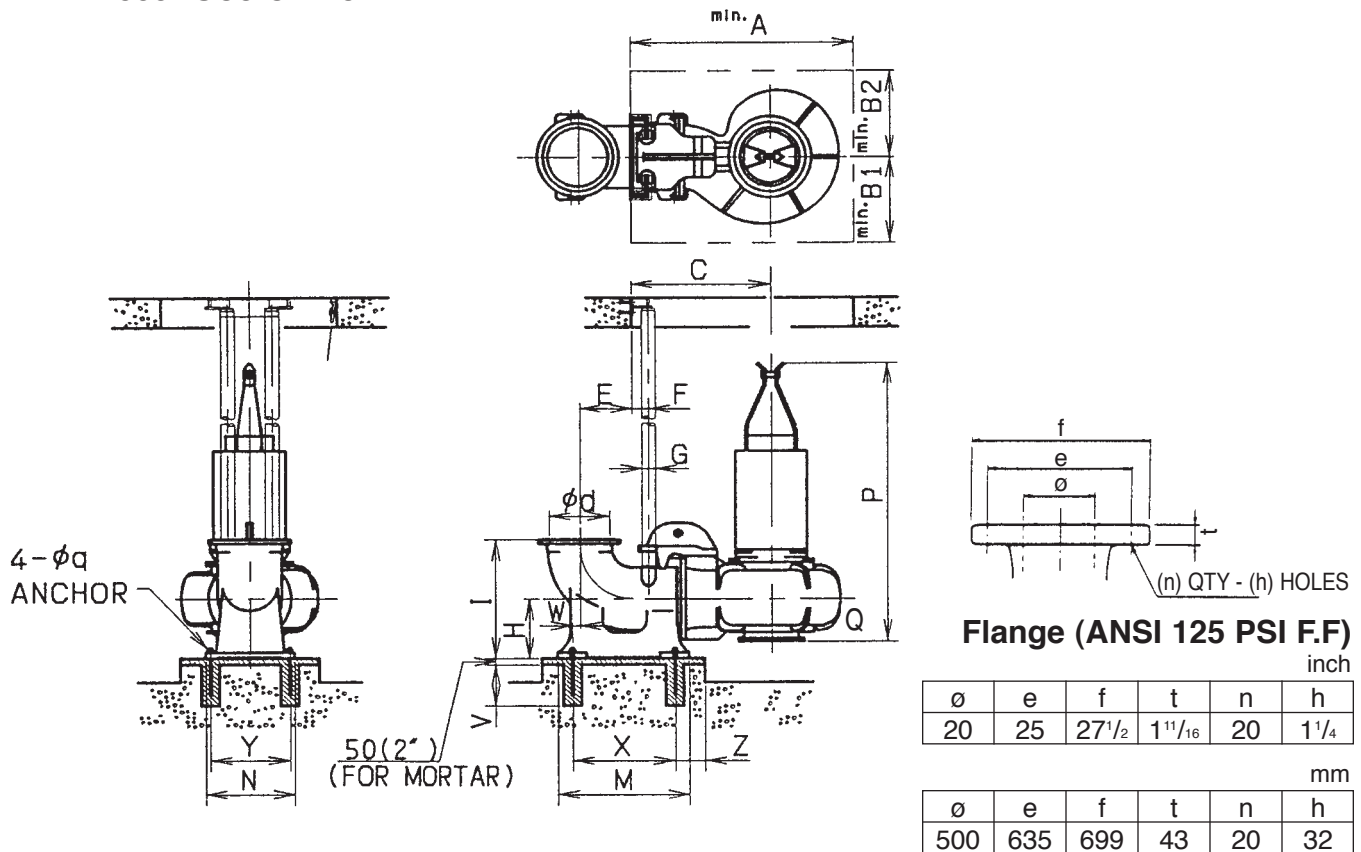
Dimensions are Approximate

† Note: Includes weight of 33 ft. standard length cables.

Dimensions

Project: _____ Model: _____ Chk'd: _____ Date: _____

Model DSC3 with Quick Discharge Connector
500DSC3 C2113



Dimensions: inch

W1: pump weight
W2: QDC weight

Model (Pole)	HP	Pump & Motor																			Weight (Lbs.) †1		
		d	A	B1	B2	C	E	F	G	H	I	M	N	P	Q	V	W	X	Y	Z	q	W1	W2
C2113-590 (12 Poles)	50	20	82 ⁵ / ₈	30 ⁵ / ₁₆	24 ¹³ / ₁₆	51 ³ / ₈	19 ⁹ / ₁₆	5 ¹ / ₂	4	19 ¹¹ / ₁₆	39 ³ / ₈	42 ¹⁵ / ₁₆	28 ³ / ₄	103 ⁷ / ₈	18 ¹ / ₂	17 ¹¹ / ₁₆	0	33 ³ / ₁₆	25 ⁹ / ₁₆	7 ⁷ / ₈	15 ¹⁵ / ₁₆	6305	1433
	60	20	82 ⁵ / ₈	30 ⁵ / ₁₆	24 ¹³ / ₁₆	51 ³ / ₈	19 ⁹ / ₁₆	5 ¹ / ₂	4	19 ¹¹ / ₁₆	39 ³ / ₈	42 ¹⁵ / ₁₆	28 ³ / ₄	103 ⁷ / ₈	18 ¹ / ₂	17 ¹¹ / ₁₆	0	33 ³ / ₁₆	25 ⁹ / ₁₆	7 ⁷ / ₈	15 ¹⁵ / ₁₆	6305	1433
	75	20	82 ⁵ / ₈	30 ⁵ / ₁₆	24 ¹³ / ₁₆	51 ³ / ₈	19 ⁹ / ₁₆	5 ¹ / ₂	4	19 ¹¹ / ₁₆	39 ³ / ₈	42 ¹⁵ / ₁₆	28 ³ / ₄	116 ⁶ / ₁₆	18 ¹ / ₂	17 ¹¹ / ₁₆	0	33 ³ / ₁₆	25 ⁹ / ₁₆	7 ⁷ / ₈	15 ¹⁵ / ₁₆	7540	1433
C2113-710 (10 Poles)	75	20	82 ⁵ / ₈	30 ⁵ / ₁₆	24 ¹³ / ₁₆	51 ³ / ₈	19 ⁹ / ₁₆	5 ¹ / ₂	4	19 ¹¹ / ₁₆	39 ³ / ₈	42 ¹⁵ / ₁₆	28 ³ / ₄	103 ⁷ / ₈	18 ¹ / ₂	17 ¹¹ / ₁₆	0	33 ³ / ₁₆	25 ⁹ / ₁₆	7 ⁷ / ₈	15 ¹⁵ / ₁₆	6151	1433
	100	20	82 ⁵ / ₈	30 ⁵ / ₁₆	24 ¹³ / ₁₆	51 ³ / ₈	19 ⁹ / ₁₆	5 ¹ / ₂	4	19 ¹¹ / ₁₆	39 ³ / ₈	42 ¹⁵ / ₁₆	28 ³ / ₄	116 ⁶ / ₁₆	18 ¹ / ₂	17 ¹¹ / ₁₆	0	33 ³ / ₁₆	25 ⁹ / ₁₆	7 ⁷ / ₈	15 ¹⁵ / ₁₆	7474	1433
	120	20	82 ⁵ / ₈	30 ⁵ / ₁₆	24 ¹³ / ₁₆	51 ³ / ₈	19 ⁹ / ₁₆	5 ¹ / ₂	4	19 ¹¹ / ₁₆	39 ³ / ₈	42 ¹⁵ / ₁₆	28 ³ / ₄	116 ⁶ / ₁₆	18 ¹ / ₂	17 ¹¹ / ₁₆	0	33 ³ / ₁₆	25 ⁹ / ₁₆	7 ⁷ / ₈	15 ¹⁵ / ₁₆	7606	1433

Dimensions: mm

Model (Pole)	KW	Pump & Motor																			Weight (kgf) †1		
		d	A	B1	B2	C	E	F	G	H	I	M	N	P	Q	V	W	X	Y	Z	q	W1	W2
C2113-590 (12 Poles)	37	500	2100	770	630	1305	490	140	100	500	1000	1090	730	2620	470	450	0	850	650	200	24	2860	650
	45	500	2100	770	630	1305	490	140	100	500	1000	1090	730	2620	470	450	0	850	650	200	24	2860	650
	55	500	2100	770	630	1305	490	140	100	500	1000	1090	730	2960	470	450	0	850	650	200	24	3420	650
C2113-710 (10 Poles)	55	500	2100	770	630	1305	490	140	100	500	1000	1090	730	2620	470	450	0	850	650	200	24	2790	650
	75	500	2100	770	630	1305	490	140	100	500	1000	1090	730	2960	470	450	0	850	650	200	24	3390	650
	90	500	2100	770	630	1305	490	140	100	500	1000	1090	730	2960	470	450	0	850	650	200	24	3450	650

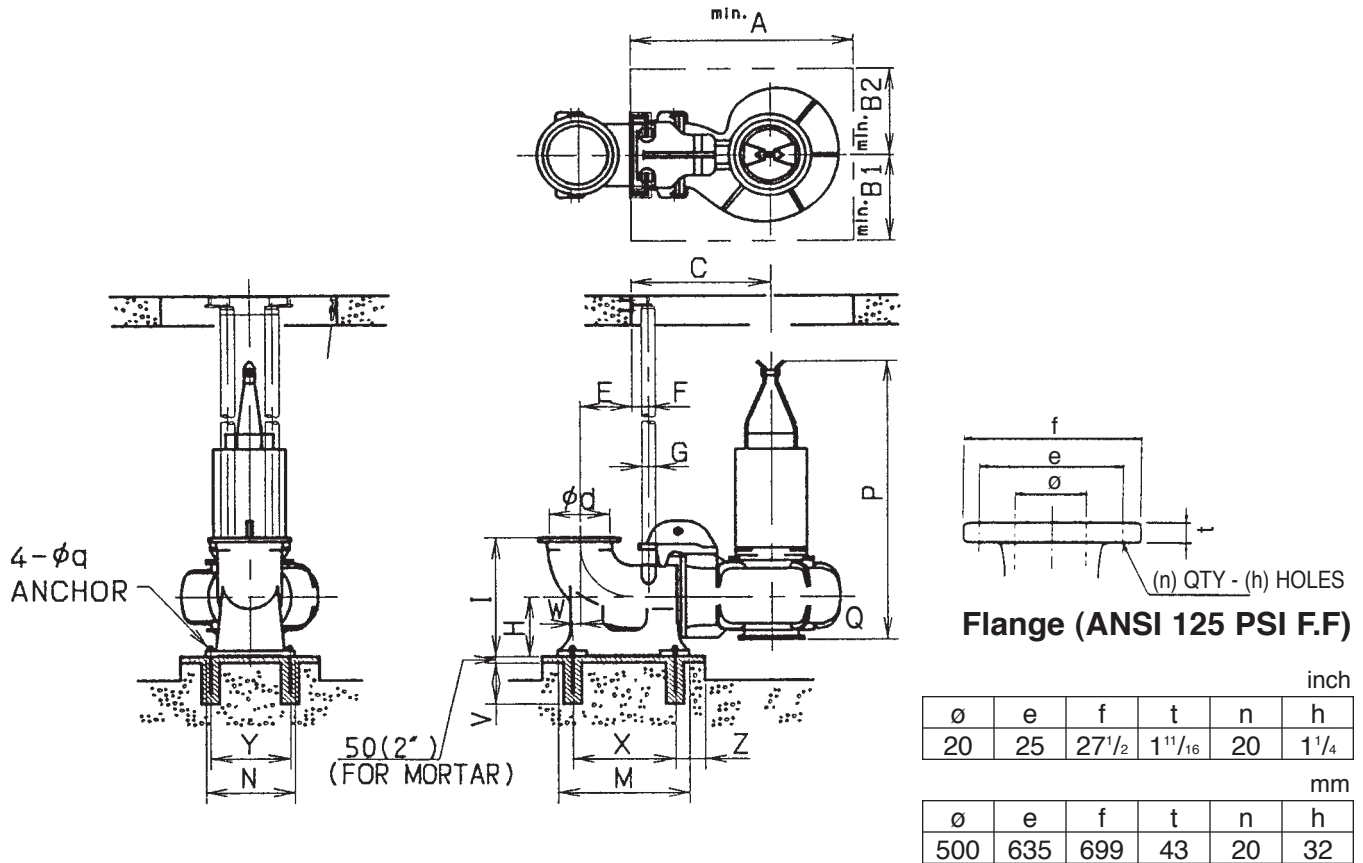
Dimensions are Approximate

† Note: Includes weight of 33 ft. standard length cables.

Dimensions

Project: _____ Model: _____ Chk'd: _____ Date: _____

Model DSC3 with Quick Discharge Connector
500DSC3 C2113



W1: pump weight
W2: QDC weight

Dimensions: inch

Model (Pole)	HP	Pump & Motor																			Weight (Lbs.) †1		
		d	A	B1	B2	C	E	F	G	H	I	M	N	P	Q	V	W	X	Y	Z	q	W1	W2
C2113-885 (8 Poles)	145	20	82 ⁵ / ₈	30 ⁵ / ₁₆	24 ¹³ / ₁₆	51 ³ / ₈	19 ⁵ / ₁₆	5 1/2	4	19 ¹¹ / ₁₆	39 ³ / ₈	42 ¹⁵ / ₁₆	28 ³ / ₄	116 ⁶ / ₁₆	18 1/2	17 ¹¹ / ₁₆	0	33 ⁷ / ₁₆	25 ⁹ / ₁₆	7 7/8	15 ¹ / ₁₆	7474	1433
	175	20	82 ⁵ / ₈	30 ⁵ / ₁₆	24 ¹³ / ₁₆	51 ³ / ₈	19 ⁵ / ₁₆	5 1/2	4	19 ¹¹ / ₁₆	39 ³ / ₈	42 ¹⁵ / ₁₆	28 ³ / ₄	116 ⁶ / ₁₆	18 1/2	17 ¹¹ / ₁₆	0	33 ⁷ / ₁₆	25 ⁹ / ₁₆	7 7/8	15 ¹ / ₁₆	7584	1433
	200	20	82 ⁵ / ₈	30 ⁵ / ₁₆	24 ¹³ / ₁₆	51 ³ / ₈	19 ⁵ / ₁₆	5 1/2	4	19 ¹¹ / ₁₆	39 ³ / ₈	42 ¹⁵ / ₁₆	28 ³ / ₄	120 ¹ / ₂	18 1/2	17 ¹¹ / ₁₆	0	33 ⁷ / ₁₆	25 ⁹ / ₁₆	7 7/8	15 ¹ / ₁₆	7804	1433
	215	20	82 ⁵ / ₈	30 ⁵ / ₁₆	24 ¹³ / ₁₆	51 ³ / ₈	19 ⁵ / ₁₆	5 1/2	4	19 ¹¹ / ₁₆	39 ³ / ₈	42 ¹⁵ / ₁₆	28 ³ / ₄	120 ¹ / ₂	18 1/2	17 ¹¹ / ₁₆	0	33 ⁷ / ₁₆	25 ⁹ / ₁₆	7 7/8	15 ¹ / ₁₆	7804	1433
	245	20	82 ⁵ / ₈	30 ⁵ / ₁₆	24 ¹³ / ₁₆	51 ³ / ₈	19 ⁵ / ₁₆	5 1/2	4	19 ¹¹ / ₁₆	39 ³ / ₈	42 ¹⁵ / ₁₆	28 ³ / ₄	119 ⁹ / ₁₆	18 1/2	17 ¹¹ / ₁₆	0	33 ⁷ / ₁₆	25 ⁹ / ₁₆	7 7/8	15 ¹ / ₁₆	9502	1433

Dimensions: mm

Model (Pole)	KW	Pump & Motor																			Weight (kgf) †1		
		d	A	B1	B2	C	E	F	G	H	I	M	N	P	Q	V	W	X	Y	Z	q	W1	W2
C2113-885 (8 Poles)	110	500	2100	770	630	1305	490	140	100	500	1000	1090	730	2960	470	450	0	850	650	200	24	3390	650
	132	500	2100	770	630	1305	490	140	100	500	1000	1090	730	2960	470	450	0	850	650	200	24	3440	650
	150	500	2100	770	630	1305	490	140	100	500	1000	1090	730	3060	470	450	0	850	650	200	24	3540	650
	160	500	2100	770	630	1305	490	140	100	500	1000	1090	730	3060	470	450	0	850	650	200	24	3540	650
	185	500	2100	770	630	1305	490	140	100	500	1000	1090	730	3040	470	450	0	850	650	200	24	4310	650

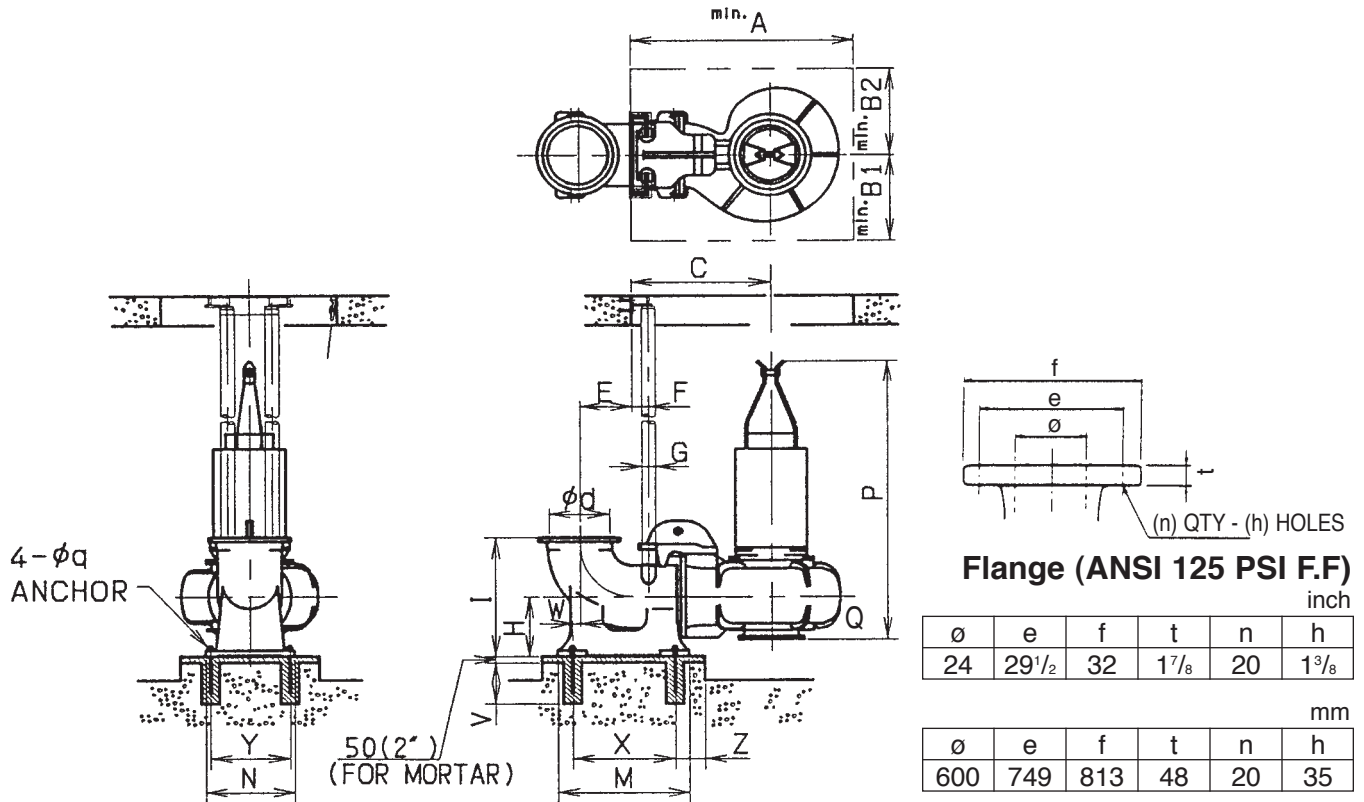
Dimensions are Approximate

† Note: Includes weight of 33 ft. standard length cables.

Dimensions

Project: _____ Model: _____ Chk'd: _____ Date: _____

Model DSC3 with Quick Discharge Connector
600DSC3 C2373



Dimensions: inch

W1: pump weight
W2: QDC weight

Model (Pole)	HP	Pump & Motor																	Weight (Lbs.) †1				
		d	A	B1	B2	C	E	F	G	H	I	M	N	P	Q	V	W	X	Y	Z	q	W1	W2
C2373-590 (12 Poles)	75	24	96 7/16	33 7/16	27 9/16	59 1/16	21 5/8	7 1/16	5	23 5/8	47 1/4	52 3/4	33 7/16	119 11/16	21 7/16	22 13/16	4 5/16	43 5/16	29 1/2	9 13/16	1 3/16	8201	1565
	100	24	96 7/16	33 7/16	27 9/16	59 1/16	21 5/8	7 1/16	5	23 5/8	47 1/4	52 3/4	33 7/16	119 11/16	21 7/16	22 13/16	4 5/16	43 5/16	29 1/2	9 13/16	1 3/16	8311	1565
	120	24	96 7/16	33 7/16	27 9/16	59 1/16	21 5/8	7 1/16	5	23 5/8	47 1/4	52 3/4	33 7/16	123 5/8	21 7/16	22 13/16	4 5/16	43 5/16	29 1/2	9 13/16	1 3/16	8620	1565
	145	24	96 7/16	33 7/16	27 9/16	59 1/16	21 5/8	7 1/16	5	23 5/8	47 1/4	52 3/4	33 7/16	123 1/4	21 7/16	22 13/16	4 5/16	43 5/16	29 1/2	9 13/16	1 3/16	10273	1565
C2373-710 (10 Poles)	145	24	96 7/16	33 7/16	27 9/16	59 1/16	21 5/8	7 1/16	5	23 5/8	47 1/4	52 3/4	33 7/16	123 5/8	21 7/16	22 13/16	4 5/16	43 5/16	29 1/2	9 13/16	1 3/16	8752	1565
	175	24	96 7/16	33 7/16	27 9/16	59 1/16	21 5/8	7 1/16	5	23 5/8	47 1/4	52 3/4	33 7/16	123 3/4	21 7/16	22 13/16	4 5/16	43 5/16	29 1/2	9 13/16	1 3/16	10295	1565
	200	24	96 7/16	33 7/16	27 9/16	59 1/16	21 5/8	7 1/16	5	23 5/8	47 1/4	52 3/4	33 7/16	123 3/4	21 7/16	22 13/16	4 5/16	43 5/16	29 1/2	9 13/16	1 3/16	10494	1565
	215	24	96 7/16	33 7/16	27 9/16	59 1/16	21 5/8	7 1/16	5	23 5/8	47 1/4	52 3/4	33 7/16	123 3/4	21 7/16	22 13/16	4 5/16	43 5/16	29 1/2	9 13/16	1 3/16	10494	1565

Dimensions: mm

Model (Pole)	KW	Pump & Motor																	Weight (kgf) †1			
		d	A	B1	B2	C	E	F	G	H	I	M	N	P	Q	V	W	X	Y	Z	q	W1
C2373-590 (12 Poles)	55	600	2450	850	700	1500	550	180	125	600	1200	1340	850	3040	545	580	1100	750	250	30	3720	710
	75	600	2450	850	700	1500	550	180	125	600	1200	1340	850	3040	545	580	1100	750	250	30	3770	710
	90	600	2450	850	700	1500	550	180	125	600	1200	1340	850	3140	545	580	1100	750	250	30	3910	710
	110	600	2450	850	700	1500	550	180	125	600	1200	1340	850	3130	545	580	1100	750	250	30	4660	710
C2373-710 (10 Poles)	110	600	2450	850	700	1500	550	180	125	600	1200	1340	850	3140	545	580	1100	750	250	30	3970	710
	132	600	2450	850	700	1500	550	180	125	600	1200	1340	850	3130	545	580	1100	750	250	30	4670	710
	150	600	2450	850	700	1500	550	180	125	600	1200	1340	850	3130	545	580	1100	750	250	30	4760	710
	160	600	2450	850	700	1500	550	180	125	600	1200	1340	850	3130	545	580	1100	750	250	30	4760	710

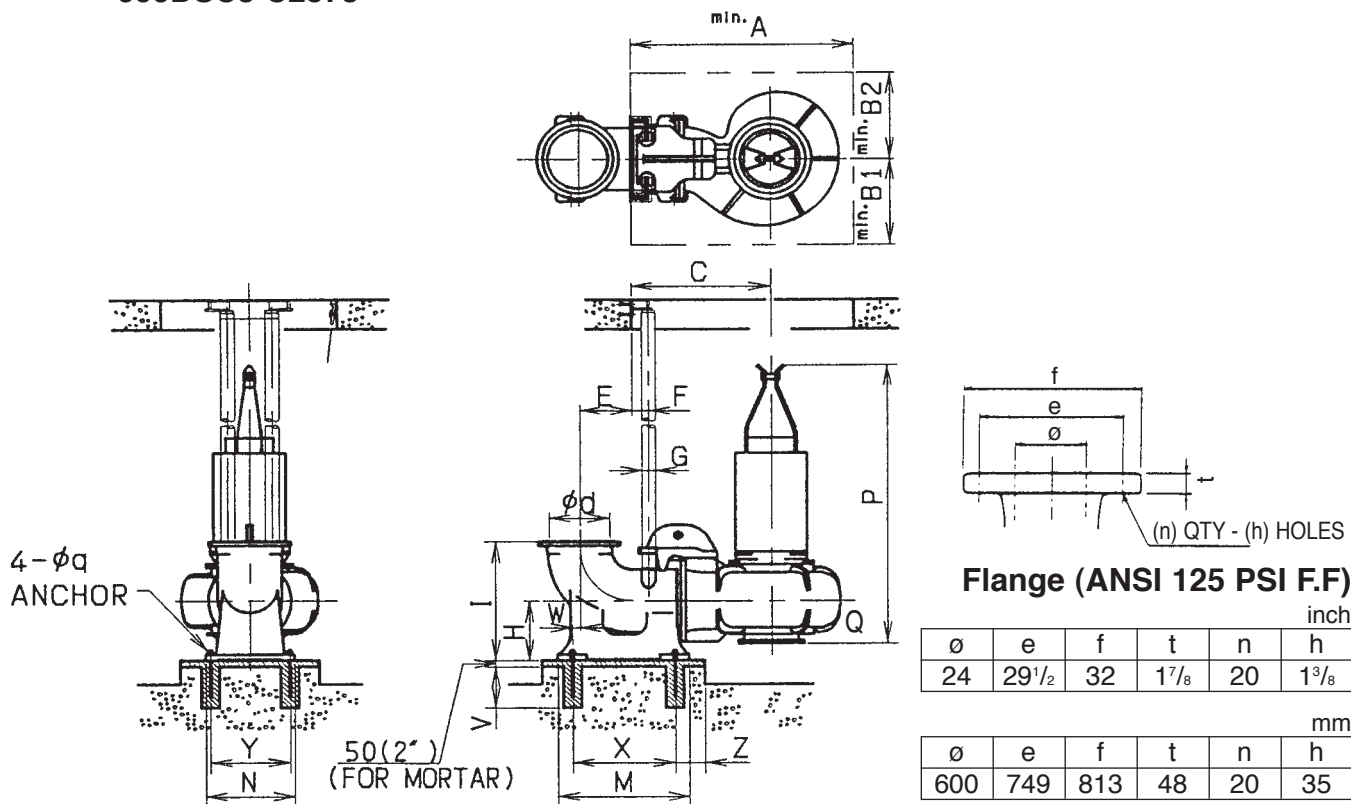
Dimensions are Approximate

† Note: Includes weight of 33 ft. standard length cables.

Dimensions

Project: _____ Model: _____ Chk'd: _____ Date: _____

Model DSC3 with Quick Discharge Connector
600DSC3 C2573



Dimensions: inch

W1: pump weight
W2: QDC weight

Model (Pole)	HP	Pump & Motor																	Weight (Lbs.) †				
		d	A	B1	B2	C	E	F	G	H	I	M	N	P	Q	V	W	X	Y	Z	q	W1	W2
C2573-590 (12 Poles)	120	24	100 3/8	35 13/16	29 1/8	62 3/8	21 5/8	7 1/16	5	23 5/8	47 1/4	52 3/4	33 7/16	125 3/16	22 7/16	22 13/16	4 5/16	43 5/16	29 1/2	9 13/16	1 3/16	9656	1565
	145	24	100 3/8	35 13/16	29 1/8	62 3/8	21 5/8	7 1/16	5	23 5/8	47 1/4	52 3/4	33 7/16	124 7/16	22 7/16	22 13/16	4 5/16	43 5/16	29 1/2	9 13/16	1 3/16	11332	1565
	175	24	100 3/8	35 13/16	29 1/8	62 3/8	21 5/8	7 1/16	5	23 5/8	47 1/4	52 3/4	33 7/16	124 7/16	22 7/16	22 13/16	4 5/16	43 5/16	29 1/2	9 13/16	1 3/16	11530	1565
C2573-710 (10 Poles)	200	24	100 3/8	35 13/16	29 1/8	62 3/8	21 5/8	7 1/16	5	23 5/8	47 1/4	52 3/4	33 7/16	124 7/16	22 7/16	22 13/16	4 5/16	43 5/16	29 1/2	9 13/16	1 3/16	11552	1565
	215	24	100 3/8	35 13/16	29 1/8	62 3/8	21 5/8	7 1/16	5	23 5/8	47 1/4	52 3/4	33 7/16	124 7/16	22 7/16	22 13/16	4 5/16	43 5/16	29 1/2	9 13/16	1 3/16	11552	1565
	245	24	100 3/8	35 13/16	29 1/8	62 3/8	21 5/8	7 1/16	5	23 5/8	47 1/4	52 3/4	33 7/16	132 2/16	22 7/16	22 13/16	4 5/16	43 5/16	29 1/2	9 13/16	1 3/16	11883	1565
	265	24	100 3/8	35 13/16	29 1/8	62 3/8	21 5/8	7 1/16	5	23 5/8	47 1/4	52 3/4	33 7/16	132 2/16	22 7/16	22 13/16	4 5/16	43 5/16	29 1/2	9 13/16	1 3/16	12081	1565
	295	24	100 3/8	35 13/16	29 1/8	62 3/8	21 5/8	7 1/16	5	23 5/8	47 1/4	52 3/4	33 7/16	132 2/16	22 7/16	22 13/16	4 5/16	43 5/16	29 1/2	9 13/16	1 3/16	12522	1565
335	24	100 3/8	35 13/16	29 1/8	62 3/8	21 5/8	7 1/16	5	23 5/8	47 1/4	52 3/4	33 7/16	132 2/16	22 7/16	22 13/16	4 5/16	43 5/16	29 1/2	9 13/16	1 3/16	12765	1565	

Dimensions: mm

Model (Pole)	KW	Pump & Motor																	Weight (kg) †				
		d	A	B1	B2	C	E	F	G	H	I	M	N	P	Q	V	W	X	Y	Z	q	W1	W2
C2573-590 (12 Poles)	90	600	2550	910	740	1585	550	180	125	600	1200	1340	850	3160	570	580	110	1100	750	250	30	4380	710
	110	600	2550	910	740	1585	550	180	125	600	1200	1340	850	3160	570	580	110	1100	750	250	30	5140	710
	132	600	2550	910	740	1585	550	180	125	600	1200	1340	850	3160	570	580	110	1100	750	250	30	5230	710
C2573-710 (10 Poles)	150	600	2550	910	740	1585	550	180	125	600	1200	1340	850	3160	570	580	110	1100	750	250	30	5240	710
	160	600	2550	910	740	1585	550	180	125	600	1200	1340	850	3160	570	580	110	1100	750	250	30	5240	710
	185	600	2550	910	740	1585	550	180	125	600	1200	1340	850	3360	570	580	110	1100	750	250	30	5390	710
	200	600	2550	910	740	1585	550	180	125	600	1200	1340	850	3360	570	580	110	1100	750	250	30	5480	710
	220	600	2550	910	740	1585	550	180	125	600	1200	1340	850	3360	570	580	110	1100	750	250	30	5680	710
250	600	2550	910	740	1585	550	180	125	600	1200	1340	850	3360	570	580	110	1100	750	250	30	5790	710	

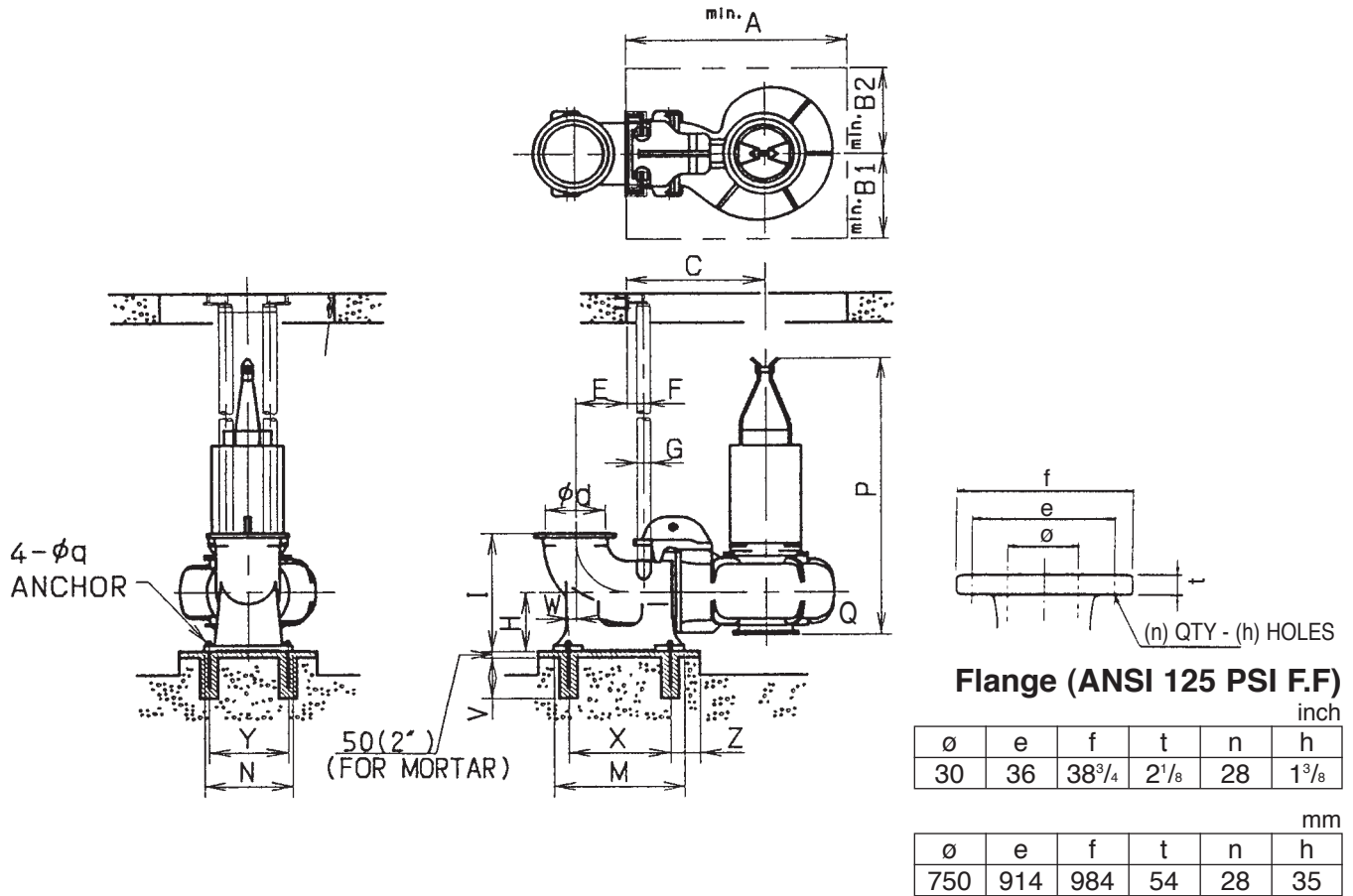
Dimensions are Approximate

† Note: Includes weight of 33 ft. standard length cables.

Dimensions

Project: _____ Model: _____ Chk'd: _____ Date: _____

Model DSC3 with Quick Discharge Connector
750DSC3 C2953



Dimensions: inch

W1: pump weight
W2: QDC weight

Model (Pole)	HP	Pump & Motor																		Weight (Lbs.) †			
		d	A	B1	B2	C	E	F	G	H	I	M	N	P	Q	V	W	X	Y	Z	q	W1	W2
C2953-590 (12 Poles)	245	30	112 ^{9/16}	41 ^{1/8}	33 ^{11/16}	68 ^{11/16}	23 ^{5/8}	7 ^{1/16}	5	25 ^{9/16}	55 ^{1/8}	57 ^{1/16}	39 ^{9/8}	136 ^{5/8}	25 ^{13/16}	22 ^{13/16}	6 ^{5/16}	45 ^{1/4}	35 ^{7/16}	9 ^{13/16}	1 ^{3/16}	14308	2756
	265	30	112 ^{9/16}	41 ^{1/8}	33 ^{11/16}	68 ^{11/16}	23 ^{5/8}	7 ^{1/16}	5	25 ^{9/16}	55 ^{1/8}	57 ^{1/16}	39 ^{9/8}	136 ^{5/8}	25 ^{13/16}	22 ^{13/16}	6 ^{5/16}	45 ^{1/4}	35 ^{7/16}	9 ^{13/16}	1 ^{3/16}	14506	2756
	295	30	112 ^{9/16}	41 ^{1/8}	33 ^{11/16}	68 ^{11/16}	23 ^{5/8}	7 ^{1/16}	5	25 ^{9/16}	55 ^{1/8}	57 ^{1/16}	39 ^{9/8}	136 ^{5/8}	25 ^{13/16}	22 ^{13/16}	6 ^{5/16}	45 ^{1/4}	35 ^{7/16}	9 ^{13/16}	1 ^{3/16}	14506	2756
	335	Contact EBARA																					
	375	Contact EBARA																					

Dimensions: mm

Model (Pole)	KW	Pump & Motor																		Weight (kg) †			
		d	A	B1	B2	C	E	F	G	H	I	M	N	P	Q	V	W	X	Y	Z	q	W1	W2
C2953-590 (12 Poles)	185	750	2850	1045	855	1745	600	180	125	650	1400	1450	1000	3470	655	580	160	1150	900	250	30	6490	1250
	200	750	2850	1045	855	1745	600	180	125	650	1400	1450	1000	3470	655	580	160	1150	900	250	30	6580	1250
	220	750	2850	1045	855	1745	600	180	125	650	1400	1450	1000	3470	655	580	160	1150	900	250	30	6580	1250
	250	Contact EBARA																					
	280	Contact EBARA																					

Dimensions are Approximate

† Note: Includes weight of 33 ft. standard length cables.

Dimensions

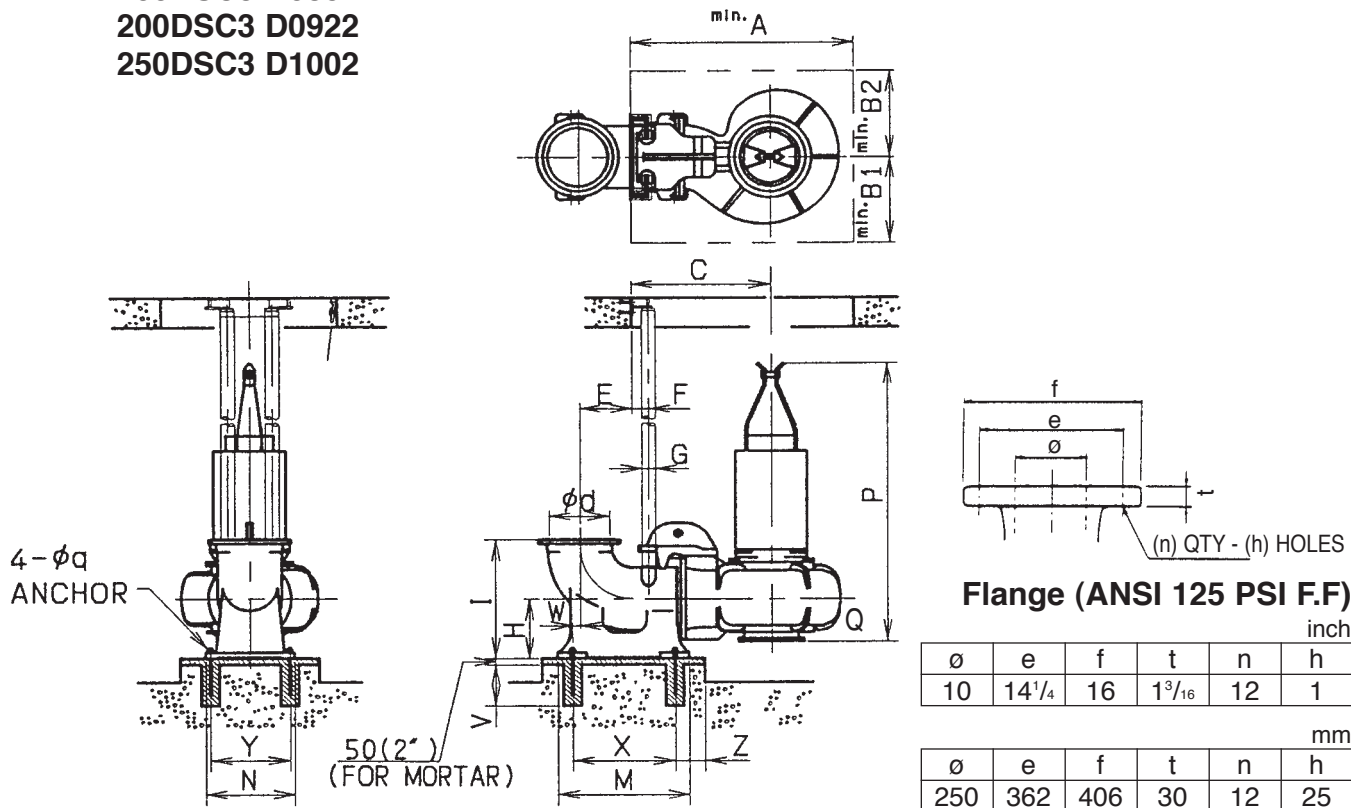
Project: _____ Model: _____ Chk'd: _____ Date: _____

Model DSC3 with Quick Discharge Connector

200DSC3 D0852

200DSC3 D0922

250DSC3 D1002



Dimensions: inch

W1: pump weight
W2: QDC weight

Model (Pole)	HP	Pump & Motor																			Weight (Lbs.) †1		
		d	A	B1	B2	C	E	F	G	H	I	M	N	P	Q	V	W	X	Y	Z	q	W1	W2
D0852-1760 (4 Poles)	20	Contact EBARA													5 1/2	Contact EBARA							
	25	Contact EBARA													5 1/2	Contact EBARA							
D0922-1760 (4 Poles)	25	Contact EBARA													6 1/8	Contact EBARA							
	30	Contact EBARA													6 1/8	Contact EBARA							
	40	Contact EBARA													6 1/8	Contact EBARA							
D1002-1760 (4 Poles)	40	10	45 1/4	14 3/4	12 13/16	28 3/4	13 3/16	4 5/16	3	13 3/4	25 3/16	30 11/16	22 13/16	70 1/2	8 1/16	17 11/16	0	23 5/8	19 11/16	5 1/8	15 1/16	1808	507
	50	10	45 1/4	14 3/4	12 13/16	28 3/4	13 3/16	4 5/16	3	13 3/4	25 3/16	30 11/16	22 13/16	70 1/2	8 1/16	17 11/16	0	23 5/8	19 11/16	5 1/8	15 1/16	1808	507

Dimensions: mm

Model (Pole)	KW	Pump & Motor																			Weight (kgf) †1		
		d	A	B1	B2	C	E	F	G	H	I	M	N	P	Q	V	W	X	Y	Z	q	W1	W2
D0852-1760 (4 Poles)	15	Contact EBARA													140	Contact EBARA							
	18.5	Contact EBARA													140	Contact EBARA							
D0922-1760 (4 Poles)	18.5	Contact EBARA													155	Contact EBARA							
	22	Contact EBARA													155	Contact EBARA							
	30	Contact EBARA													155	Contact EBARA							
D1002-1760 (4 Poles)	30	250	1150	375	325	730	335	110	80	350	640	780	580	1790	205	450	0	600	500	150	24	820	230
	37	250	1150	375	325	730	335	110	80	350	640	780	580	1790	205	450	0	600	500	150	24	820	230

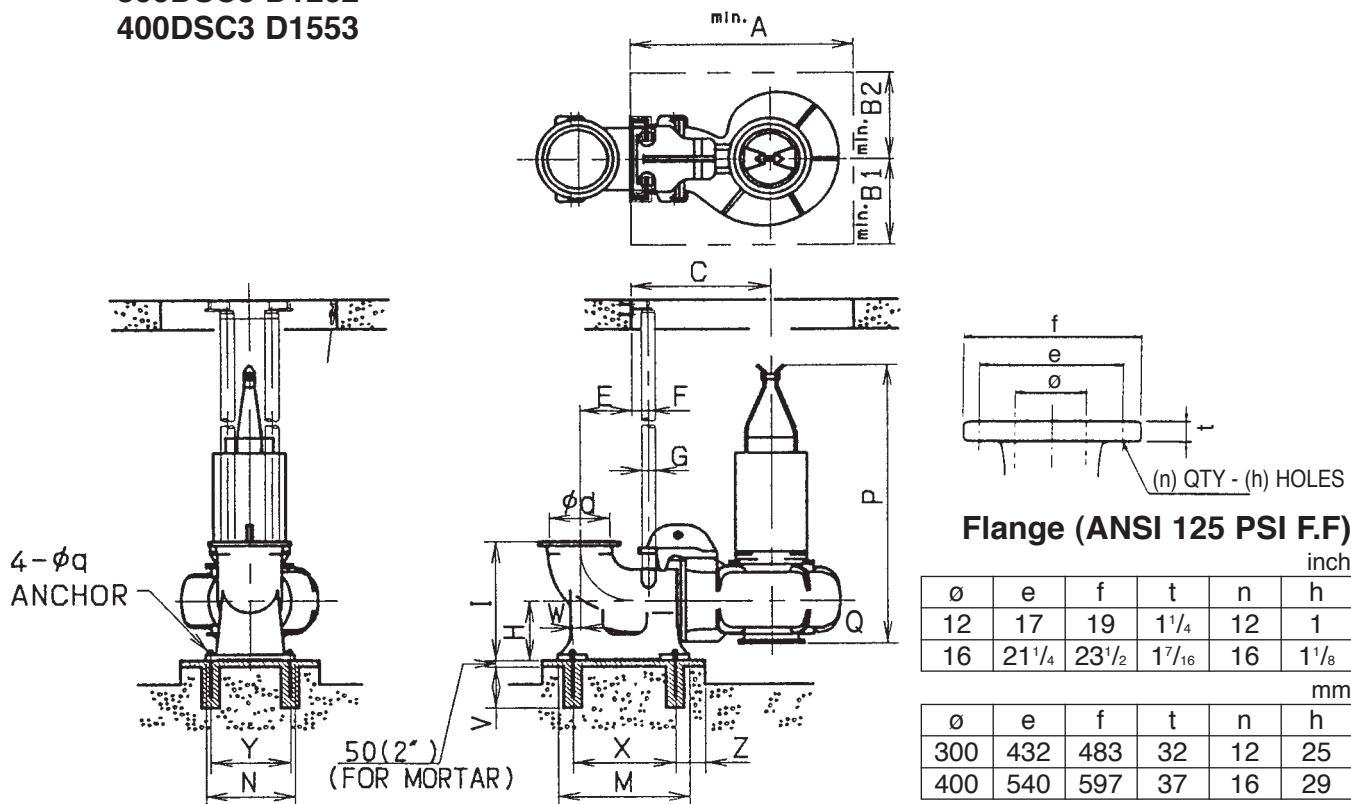
Dimensions are Approximate

† Note: Includes weight of 33 ft. standard length cables.

Dimensions

Project: _____ Model: _____ Chk'd: _____ Date: _____

Model DSC3 with Quick Discharge Connector
300DSC3 D1262
400DSC3 D1553



Flange (ANSI 125 PSI F.F)

inch					
ø	e	f	t	n	h
12	17	19	1 1/4	12	1
16	21 1/4	23 1/2	1 7/16	16	1 1/8

mm					
ø	e	f	t	n	h
300	432	483	32	12	25
400	540	597	37	16	29

Dimensions: inch

W1: pump weight
W2: QDC weight

Model (Pole)	HP	Pump & Motor																			Weight (Lbs.) †		
		d	A	B1	B2	C	E	F	G	H	I	M	N	P	Q	V	W	X	Y	Z	q	W1	W2
D1262-1770 (4 Poles)	120	12	57 1/16	17 11/16	15 3/4	33 1/4	13 3/8	4 5/16	3	13 3/4	26 3/4	30 11/16	22 13/16	90 15/16	8 1/4	17 11/16	0	23 5/8	19 11/16	7 1/8	M 15/16	3329	551
	145	12	57 1/16	17 11/16	15 3/4	33 1/4	13 3/8	4 5/16	3	13 3/4	26 3/4	30 11/16	22 13/16	90 15/16	8 1/4	17 11/16	0	23 5/8	19 11/16	7 1/8	M 15/16	3417	551
	175	12	57 1/16	17 11/16	15 3/4	33 1/4	13 3/8	4 5/16	3	13 3/4	26 3/4	30 11/16	22 13/16	90 15/16	8 1/4	17 11/16	0	23 5/8	19 11/16	7 1/8	M 15/16	3505	551
D1553-1175 (6 Poles)	145	16	63	21 1/16	18 5/16	41 1/8	15 3/8	5 1/2	4	15 3/4	31 7/8	34 5/8	24 13/16	94 1/8	12 5/8	17 11/16	0	27 7/16	21 5/8	7 1/8	M 15/16	3968	816
	175	16	63	21 1/16	18 5/16	41 1/8	15 3/8	5 1/2	4	15 3/4	31 7/8	34 5/8	24 13/16	107 7/8	12 5/8	17 11/16	0	27 7/16	21 5/8	7 1/8	M 15/16	5247	816
	200	16	63	21 1/16	18 5/16	41 1/8	15 3/8	5 1/2	4	15 3/4	31 7/8	34 5/8	24 13/16	107 7/8	12 5/8	17 11/16	0	27 7/16	21 5/8	7 1/8	M 15/16	5379	816
	215	16	63	21 1/16	18 5/16	41 1/8	15 3/8	5 1/2	4	15 3/4	31 7/8	34 5/8	24 13/16	111 13/16	12 5/8	17 11/16	0	27 7/16	21 5/8	7 1/8	M 15/16	5798	816

Dimensions: mm

Model (Pole)	KW	Pump & Motor																			Weight (kgf) †		
		d	A	B1	B2	C	E	F	G	H	I	M	N	P	Q	V	W	X	Y	Z	q	W1	W2
D1262-1770 (4 Poles)	90	300	1450	450	400	845	340	110	80	350	680	780	580	2310	210	450	0	600	500	200	24	1510	250
	110	300	1450	450	400	845	340	110	80	350	680	780	580	2310	210	450	0	600	500	200	24	1550	250
	132	300	1450	450	400	845	340	110	80	350	680	780	580	2310	210	450	0	600	500	200	24	1590	250
D1553-1175 (6 Poles)	110	400	1600	535	465	1045	390	140	100	400	810	880	630	2390	320	450	0	700	550	200	24	1800	370
	132	400	1600	535	465	1045	390	140	100	400	810	880	630	2740	320	450	0	700	550	200	24	2380	370
	150	400	1600	535	465	1045	390	140	100	400	810	880	630	2740	320	450	0	700	550	200	24	2440	370
	160	400	1600	535	465	1045	390	140	100	400	810	880	630	2840	320	450	0	700	550	200	24	2630	370

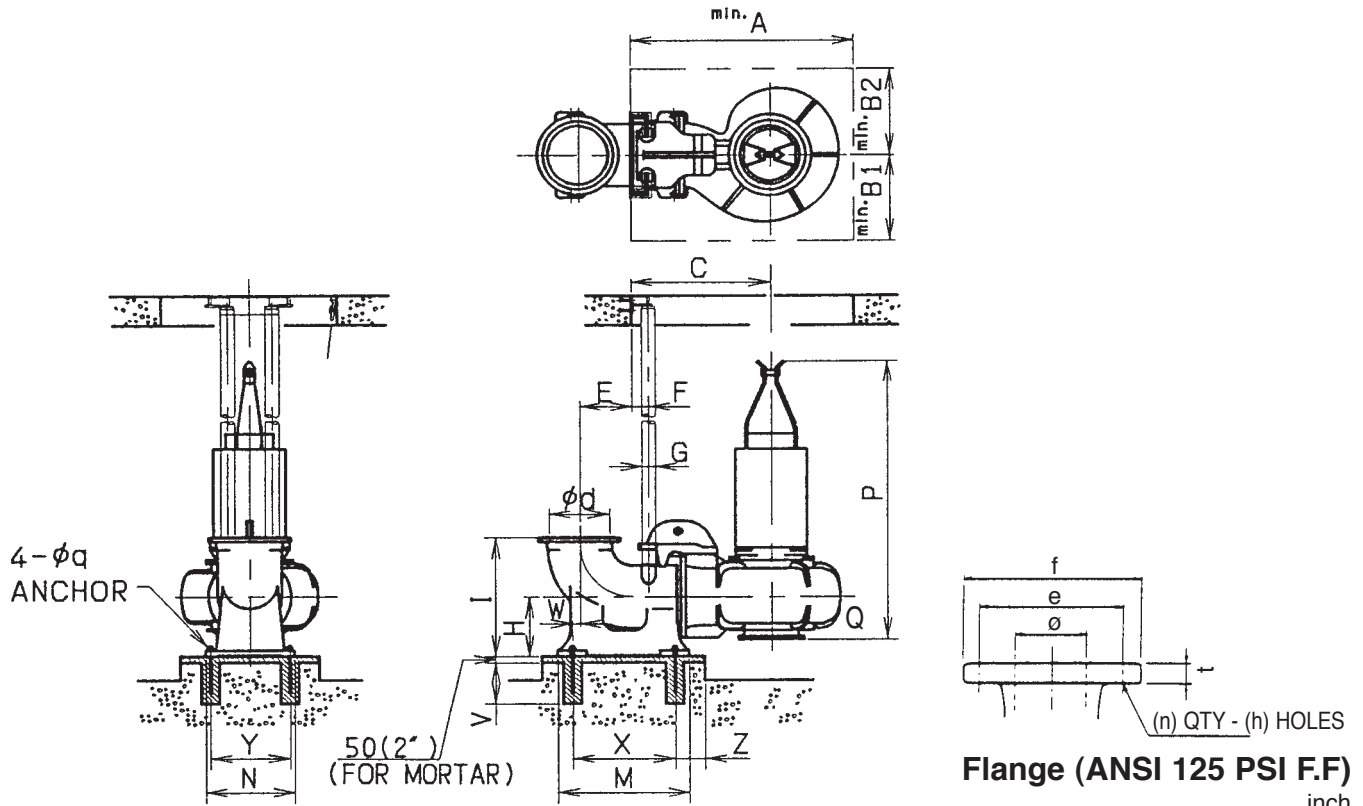
Dimensions are Approximate

† Note: Includes weight of 33 ft. standard length cables.

Dimensions

Project: _____ Model: _____ Chk'd: _____ Date: _____

Model DSC3 with Quick Discharge Connector
600DSC3 D2503



Flange (ANSI 125 PSI F.F)

inch					
ø	e	f	t	n	h
24	29 1/2	32	1 7/8	20	1 3/8

mm					
ø	e	f	t	n	h
600	749	813	48	20	35

Dimensions: inch

W1: pump weight
W2: QDC weight

Model (Pole)	HP	Pump & Motor																	Weight (Lbs.) †1				
		d	A	B1	B2	C	E	F	G	H	I	M	N	P	Q	V	W	X	Y	Z	q	W1	W2
D2503-710 (10 Poles)	335	24	94 1/2	33 3/4	25 13/16	61	21 5/8	7 1/16	5	23 5/8	47 1/4	52 3/4	33 7/16	129 1/2	20 1/4	22 13/16	4 5/16	43 5/16	29 1/2	9 13/16	1 3/16	12787	1565
	375	Contact EBARA										20 1/4	Contact EBARA										
	422	Contact EBARA										20 1/4	Contact EBARA										
	475	Contact EBARA										20 1/4	Contact EBARA										

Dimensions: mm

Model (Pole)	KW	Pump & Motor																	Weight (kgf) †1				
		d	A	B1	B2	C	E	F	G	H	I	M	N	P	Q	V	W	X	Y	Z	q	W1	W2
D2503-710 (10 Poles)	250	600	2400	845	655	1550	550	180	125	600	1200	1340	850	3290	515	580	110	1100	750	250	30	5800	710
	280	Contact EBARA										515	Contact EBARA										
	315	Contact EBARA										515	Contact EBARA										
	355	Contact EBARA										515	Contact EBARA										

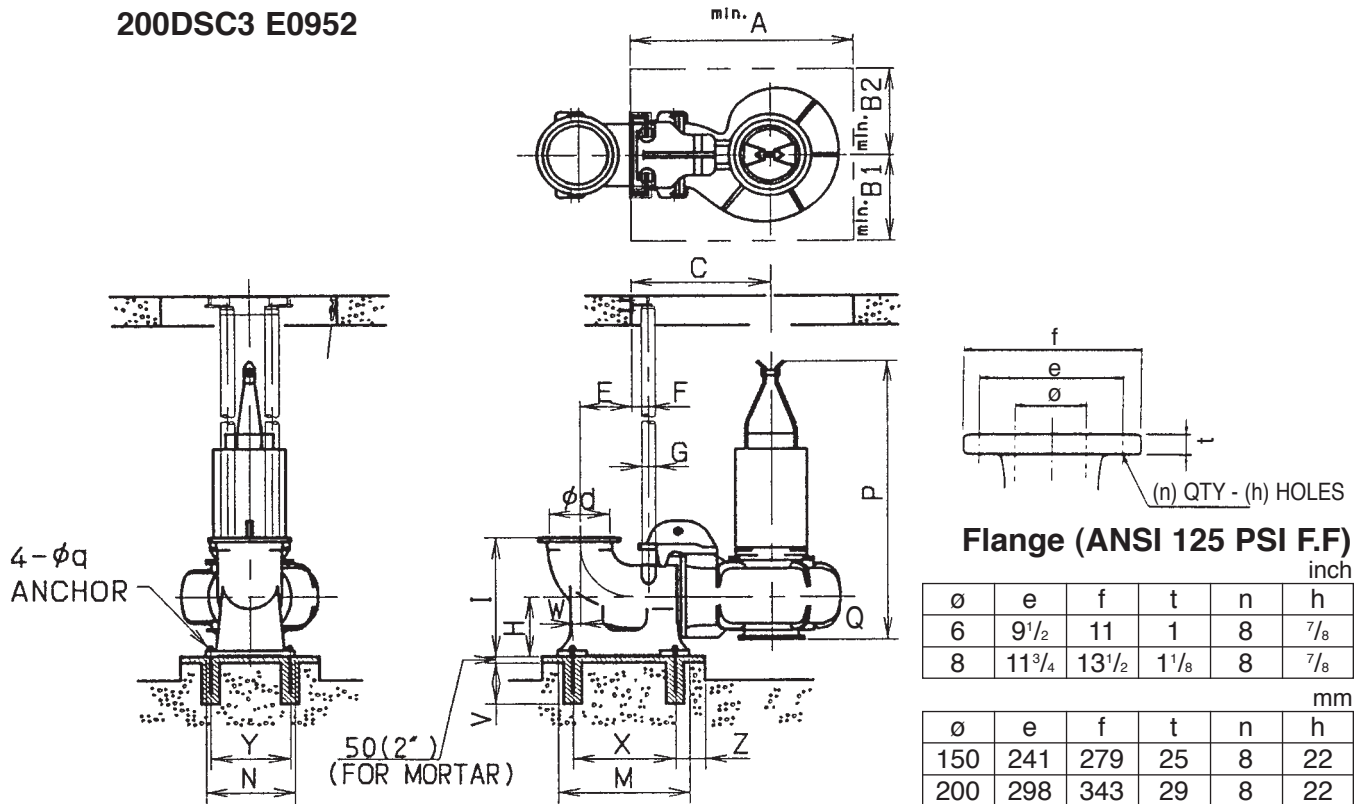
Dimensions are Approximate

† Note: Includes weight of 33 ft. standard length cables.

Dimensions

Project: _____ Model: _____ Chk'd: _____ Date: _____

Model DSC3 with Quick Discharge Connector
150DSC3 E0852
200DSC3 E0952



Flange (ANSI 125 PSI F.F)

inch	Ø	e	f	t	n	h
	6	9 1/2	11	1	8	7/8
	8	11 3/4	13 1/2	1 1/8	8	7/8

mm	Ø	e	f	t	n	h
	150	241	279	25	8	22
	200	298	343	29	8	22

W1: pump weight
W2: QDC weight

Dimensions: inch

Model (Pole)	HP	Pump & Motor																			Weight (Lbs.) †1				
		d	A	B1	B2	C	E	F	G	H	I	M	N	P	Q	V	W	X	Y	Z	q	W1	W2		
E0852-1760 (4 Poles)	25	Contact EBARA													5 1/2	Contact EBARA									
	30	Contact EBARA													5 1/2	Contact EBARA									
	40	Contact EBARA													5 1/2	Contact EBARA									
E0952-1760 (4 Poles)	50	8	43 5/16	14	13 9/16	27 15/16	12	4 5/16	3	13 3/4	23 1/4	29 1/2	22 13/16	70 1/2	6 1/8	17 11/16	0	22 7/16	19 11/16	5 7/8	15 1/16	1698	441		
	60	8	43 5/16	14	13 9/16	27 15/16	12	4 5/16	3	13 3/4	23 1/4	29 1/2	22 13/16	70 1/2	6 1/8	17 11/16	0	22 7/16	19 11/16	5 7/8	15 1/16	1742	441		
	75	8	43 5/16	14	13 9/16	27 15/16	12	4 5/16	3	13 3/4	23 1/4	29 1/2	22 13/16	70 1/2	6 1/8	17 11/16	0	22 7/16	19 11/16	5 7/8	15 1/16	1786	441		

Dimensions: mm

Model (Pole)	KW	Pump & Motor																			Weight (kgf) †1				
		d	A	B1	B2	C	E	F	G	H	I	M	N	P	Q	V	W	X	Y	Z	q	W1	W2		
E0852-1760 (4 Poles)	18.5	Contact EBARA													140	Contact EBARA									
	22	Contact EBARA													140	Contact EBARA									
	30	Contact EBARA													140	Contact EBARA									
E0952-1760 (4 Poles)	30	Contact EBARA													155	Contact EBARA									
	37	200	1100	355	345	710	305	110	80	350	590	750	580	1790	155	450	0	570	500	150	24	770	200		
	45	200	1100	355	345	710	305	110	80	350	590	750	580	1790	155	450	0	570	500	150	24	790	200		
	55	200	1100	355	345	710	305	110	80	350	590	750	580	1790	155	450	0	570	500	150	24	810	200		

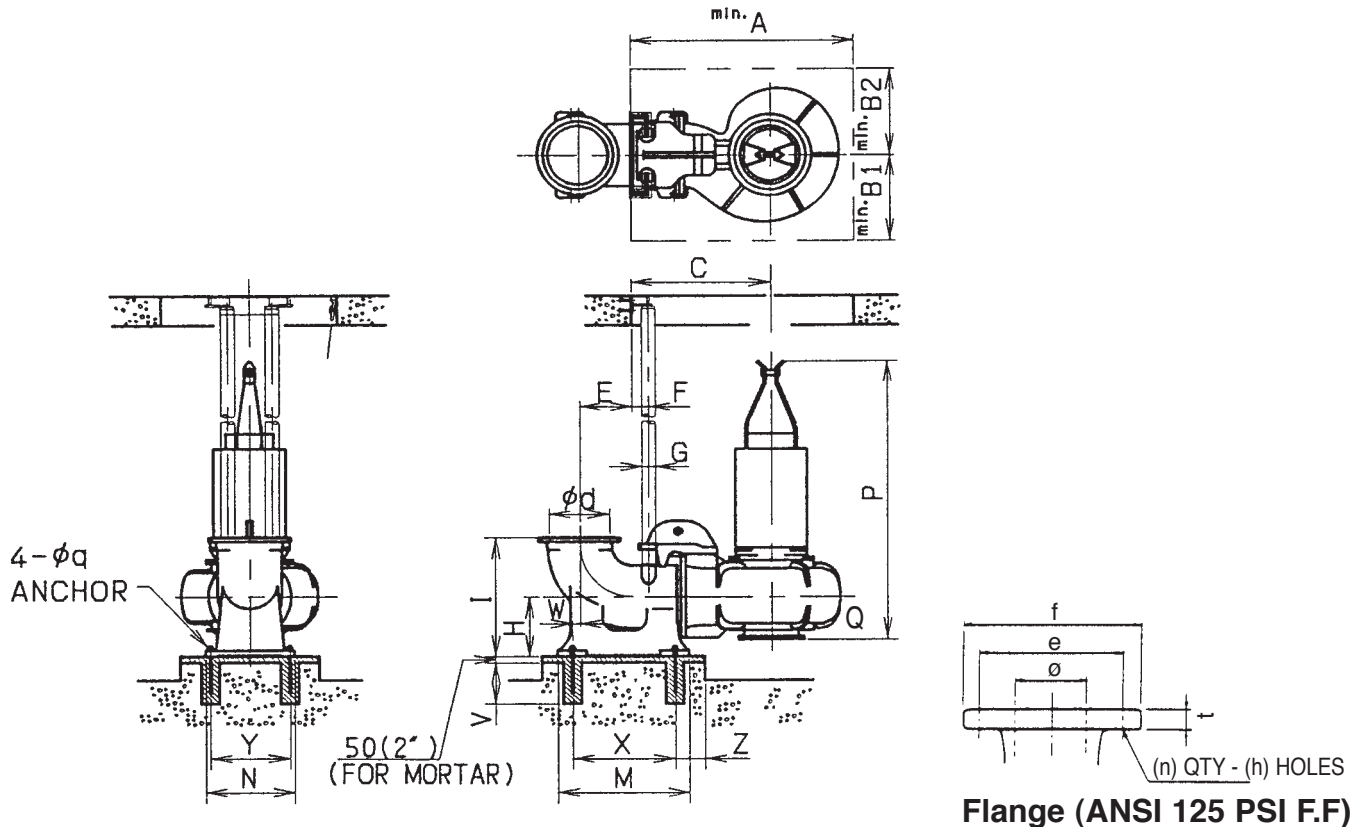
Dimensions are Approximate

† Note: Includes weight of 33 ft. standard length cables.

Dimensions

Project: _____ Model: _____ Chk'd: _____ Date: _____

Model DSC3 with Quick Discharge Connector
200DSC3 E1052



Flange (ANSI 125 PSI F.F)

inch					
Ø	e	f	t	n	h
8	11 ³ / ₄	13 ¹ / ₂	1 ¹ / ₈	8	7 ⁷ / ₈

mm					
Ø	e	f	t	n	h
200	298	343	29	8	22

Dimensions: inch

W1: pump weight
W2: QDC weight

Model (Pole)	HP	Pump & Motor																	Weight (Lbs.) †				
		d	A	B1	B2	C	E	F	G	H	I	M	N	P	Q	V	W	X	Y	Z	q	W1	W2
E1052-1180L (6 Poles)	25	8	47 ¹ / ₄	14 ³ / ₄	12 ¹³ / ₁₆	29 ³ / ₄	12	4 ⁵ / ₁₆	3	13 ³ / ₄	23 ¹ / ₄		22 ¹³ / ₁₆	48 ¹ / ₁₆	13	17 ¹¹ / ₁₆	0	22 ⁷ / ₁₆	19 ¹¹ / ₁₆	5 ⁷ / ₈	15 ¹⁵ / ₁₆	1323	441
	30	8	47 ¹ / ₄	14 ³ / ₄	12 ¹³ / ₁₆	29 ³ / ₄	12	4 ⁵ / ₁₆	3	13 ³ / ₄	23 ¹ / ₄	29 ¹ / ₂	22 ¹³ / ₁₆	48 ¹ / ₁₆	13	17 ¹¹ / ₁₆	0	22 ⁷ / ₁₆	19 ¹¹ / ₁₆	5 ⁷ / ₈	15 ¹⁵ / ₁₆	1345	441
	40	8	47 ¹ / ₄	14 ³ / ₄	12 ¹³ / ₁₆	29 ³ / ₄	12	4 ⁵ / ₁₆	3	13 ³ / ₄	23 ¹ / ₄	29 ¹ / ₂	22 ¹³ / ₁₆	68 ⁷ / ₈	13	17 ¹¹ / ₁₆	0	22 ⁷ / ₁₆	19 ¹¹ / ₁₆	5 ⁷ / ₈	15 ¹⁵ / ₁₆	1896	441

Dimensions: mm

Model (Pole)	KW	Pump & Motor																	Weight (Lbs.) †				
		d	A	B1	B2	C	E	F	G	H	I	M	N	P	Q	V	W	X	Y	Z	q	W1	W2
E1052-1180L (6 Poles)	18.5	200	1200	375	325	755	305	110	80	350	590	750	580	1220	330	450	0	570	500	150	24	600	200
	22	200	1200	375	325	755	305	110	80	350	590	750	580	1220	330	450	0	570	500	150	24	610	200
	30	200	1200	375	325	755	305	110	80	350	590	750	580	1810	330	450	0	570	500	150	24	860	200

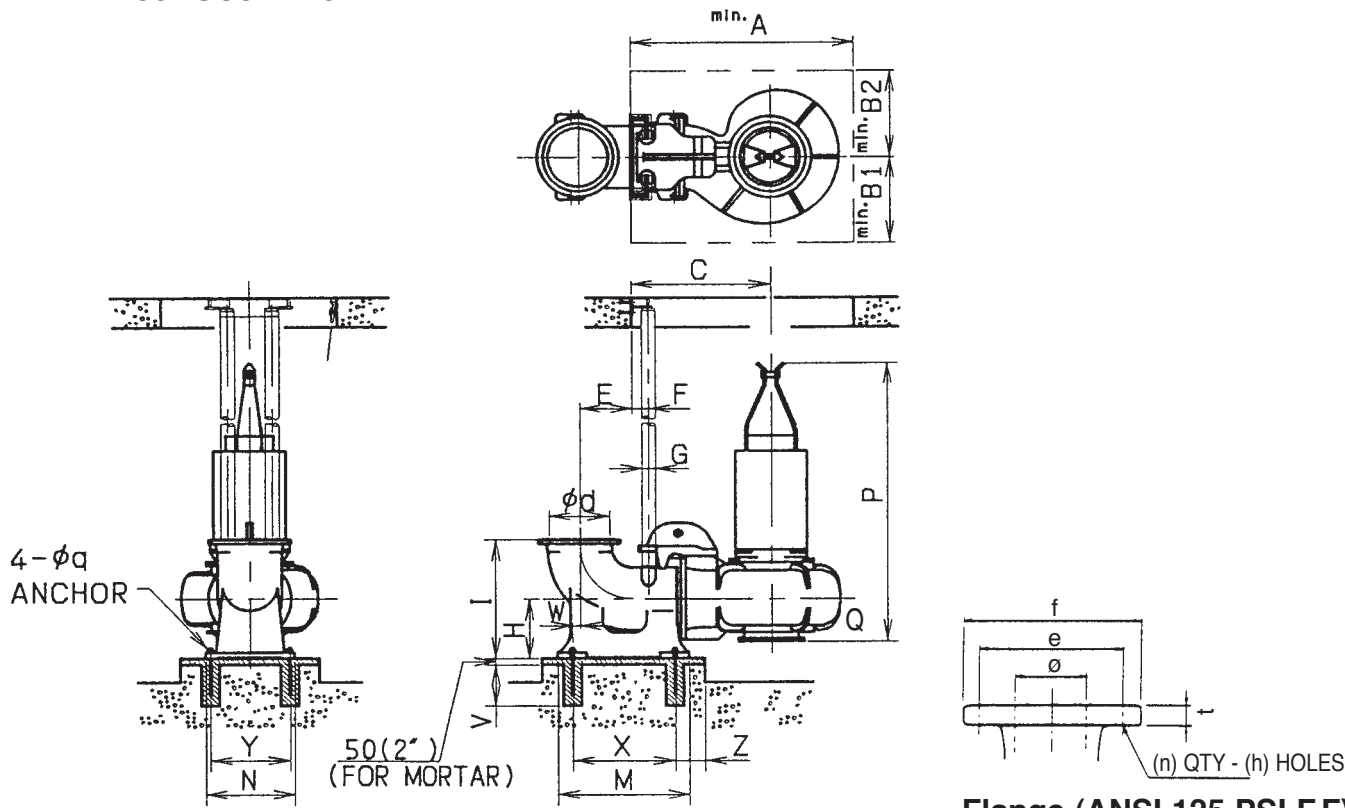
Dimensions are Approximate

† Note: Includes weight of 33 ft. standard length cables.

Dimensions

Project: _____ Model: _____ Chk'd: _____ Date: _____

Model DSC3 with Quick Discharge Connector
250DSC3 E1152



Flange (ANSI 125 PSI F.F)

inch

ø	e	f	t	n	h
10	14 ¹ / ₄	16	1 ³ / ₁₆	12	1

mm

ø	e	f	t	n	h
250	362	406	30	12	25

Dimensions: inch

W1: pump weight
W2: QDC weight

Model (Pole)	HP	Pump & Motor																			Weight (Lbs.) †		
		d	A	B1	B2	C	E	F	G	H	I	M	N	P	Q	V	W	X	Y	Z	q	W1	W2
E1152-1180L (6 Poles)	40	10	49 ³ / ₁₆	15 ¹⁵ / ₁₆	15 ⁹ / ₁₆	31 ⁵ / ₁₆	13 ³ / ₁₆	4 ⁵ / ₁₆	3	13 ³ / ₄	25 ³ / ₁₆		22 ¹³ / ₁₆	71 ⁵ / ₈	13	17 ¹¹ / ₁₆	0	23 ⁵ / ₈	19 ¹¹ / ₁₆	5 ⁷ / ₈	1 ¹⁵ / ₁₆	2161	507
	50	10	49 ³ / ₁₆	15 ¹⁵ / ₁₆	15 ⁹ / ₁₆	31 ⁵ / ₁₆	13 ³ / ₁₆	4 ⁵ / ₁₆	3	13 ³ / ₄	25 ³ / ₁₆	30 ¹¹ / ₁₆	22 ¹³ / ₁₆	71 ⁵ / ₈	13	17 ¹¹ / ₁₆	0	23 ⁵ / ₈	19 ¹¹ / ₁₆	5 ⁷ / ₈	1 ¹⁵ / ₁₆	2205	507
	60	10	49 ³ / ₁₆	15 ¹⁵ / ₁₆	15 ⁹ / ₁₆	31 ⁵ / ₁₆	13 ³ / ₁₆	4 ⁵ / ₁₆	3	13 ³ / ₄	25 ³ / ₁₆	30 ¹¹ / ₁₆	22 ¹³ / ₁₆	75 ⁵ / ₁₆	13	17 ¹¹ / ₁₆	0	23 ⁵ / ₈	19 ¹¹ / ₁₆	5 ⁷ / ₈	1 ¹⁵ / ₁₆	2293	507

Dimensions: mm

Model (Pole)	KW	Pump & Motor																			Weight (Lbs.) †		
		d	A	B1	B2	C	E	F	G	H	I	M	N	P	Q	V	W	X	Y	Z	q	W1	W2
E1152-1180L (6 Poles)	30	250	1250	405	395	795	335	110	80	350	640	780	580	1820	330	450	0	600	500	150	24	980	230
	37	250	1250	405	395	795	335	110	80	350	640	780	580	1820	330	450	0	600	500	150	24	1000	230
	45	250	1250	405	395	795	335	110	80	350	640	780	580	1920	330	450	0	600	500	150	24	1040	230

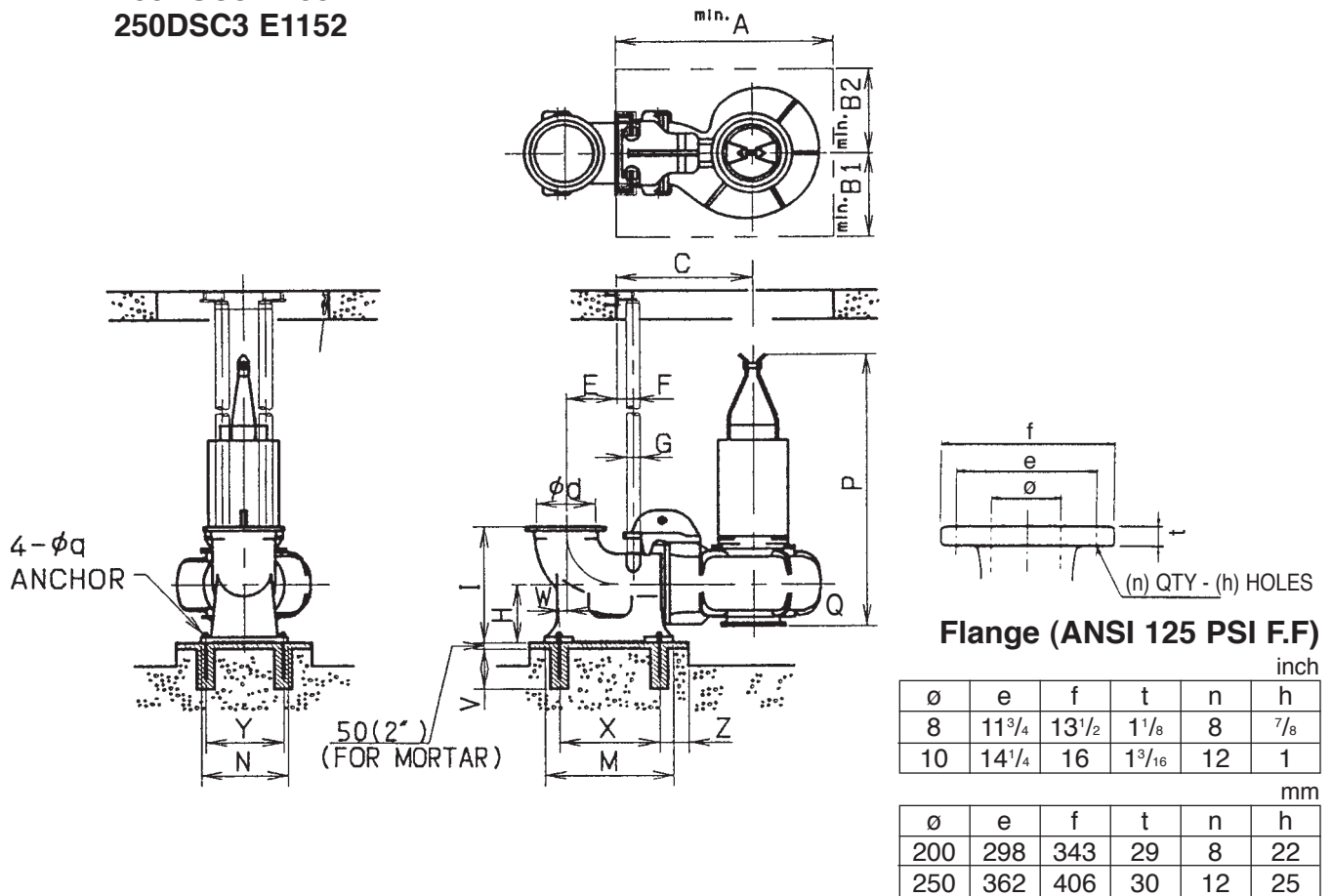
Dimensions are Approximate

† Note: Includes weight of 33 ft. standard length cables.

Dimensions

Project: _____ Model: _____ Chk'd: _____ Date: _____

Model DSC3 with Quick Discharge Connector
200DSC3 E1052
250DSC3 E1152



Dimensions: inch

W1: pump weight
W2: QDC weight

Model (Pole)	HP	Pump & Motor																			Weight (Lbs.) †1		
		d	A	B1	B2	C	E	F	G	H	I	M	N	P	Q	V	W	X	Y	Z	q	W1	W2
E1052-1760 (4 Poles)	75	8	47 ¹ / ₄	14 ³ / ₄	12 ¹³ / ₁₆	29 ³ / ₄	12	4 ⁵ / ₁₆	3	13 ³ / ₄	23 ¹ / ₄	29 ¹ / ₂	22 ¹³ / ₁₆	71 ¹ / ₄	8 ¹¹ / ₁₆	17 ¹¹ / ₁₆	0	22 ⁷ / ₁₆	19 ¹¹ / ₁₆	5 ⁷ / ₈	15 ¹⁵ / ₁₆	1962	441
	100	8	47 ¹ / ₄	14 ³ / ₄	12 ¹³ / ₁₆	29 ³ / ₄	12	4 ⁵ / ₁₆	3	13 ³ / ₄	23 ¹ / ₄	29 ¹ / ₂	22 ¹³ / ₁₆	75 ³ / ₁₆	8 ¹¹ / ₁₆	17 ¹¹ / ₁₆	0	22 ⁷ / ₁₆	19 ¹¹ / ₁₆	5 ⁷ / ₈	15 ¹⁵ / ₁₆	2094	441
E1152-1770 (4 Poles)	120	10	49 ³ / ₁₆	15 ¹⁵ / ₁₆	15 ⁹ / ₁₆	31 ⁵ / ₁₆	13 ³ / ₁₆	4 ⁵ / ₁₆	3	13 ³ / ₄	25 ³ / ₁₆	30 ¹¹ / ₁₆	22 ¹³ / ₁₆	90 ⁹ / ₁₆	7 ⁵ / ₁₆	17 ¹¹ / ₁₆	0	23 ⁵ / ₈	19 ¹¹ / ₁₆	5 ⁷ / ₈	15 ¹⁵ / ₁₆	3064	507
	145	10	49 ³ / ₁₆	15 ¹⁵ / ₁₆	15 ⁹ / ₁₆	31 ⁵ / ₁₆	13 ³ / ₁₆	4 ⁵ / ₁₆	3	13 ³ / ₄	25 ³ / ₁₆	30 ¹¹ / ₁₆	22 ¹³ / ₁₆	90 ⁹ / ₁₆	7 ⁵ / ₁₆	17 ¹¹ / ₁₆	0	23 ⁵ / ₈	19 ¹¹ / ₁₆	5 ⁷ / ₈	15 ¹⁵ / ₁₆	3153	507
	175	10	49 ³ / ₁₆	15 ¹⁵ / ₁₆	15 ⁹ / ₁₆	31 ⁵ / ₁₆	13 ³ / ₁₆	4 ⁵ / ₁₆	3	13 ³ / ₄	25 ³ / ₁₆	30 ¹¹ / ₁₆	22 ¹³ / ₁₆	90 ⁹ / ₁₆	7 ⁵ / ₁₆	17 ¹¹ / ₁₆	0	23 ⁵ / ₈	19 ¹¹ / ₁₆	5 ⁷ / ₈	15 ¹⁵ / ₁₆	3241	507

Dimensions: mm

Model (Pole)	KW	Pump & Motor																			Weight (kgf) †1		
		d	A	B1	B2	C	E	F	G	H	I	M	N	P	Q	V	W	X	Y	Z	q	W1	W2
E1052-1760 (4 Poles)	55	200	1200	375	325	755	305	110	80	350	590	750	580	1810	220	450	0	570	500	150	24	890	200
	75	200	1200	375	325	755	305	110	80	350	590	750	580	1910	220	450	0	570	500	150	24	950	200
E1152-1770 (4 Poles)	90	250	1250	405	395	795	335	110	80	350	640	780	580	2300	185	450	0	600	500	150	24	1390	230
	110	250	1250	405	395	795	335	110	80	350	640	780	580	2300	185	450	0	600	500	150	24	1430	230
	132	250	1250	405	395	795	335	110	80	350	640	780	580	2300	185	450	0	600	500	150	24	1470	230

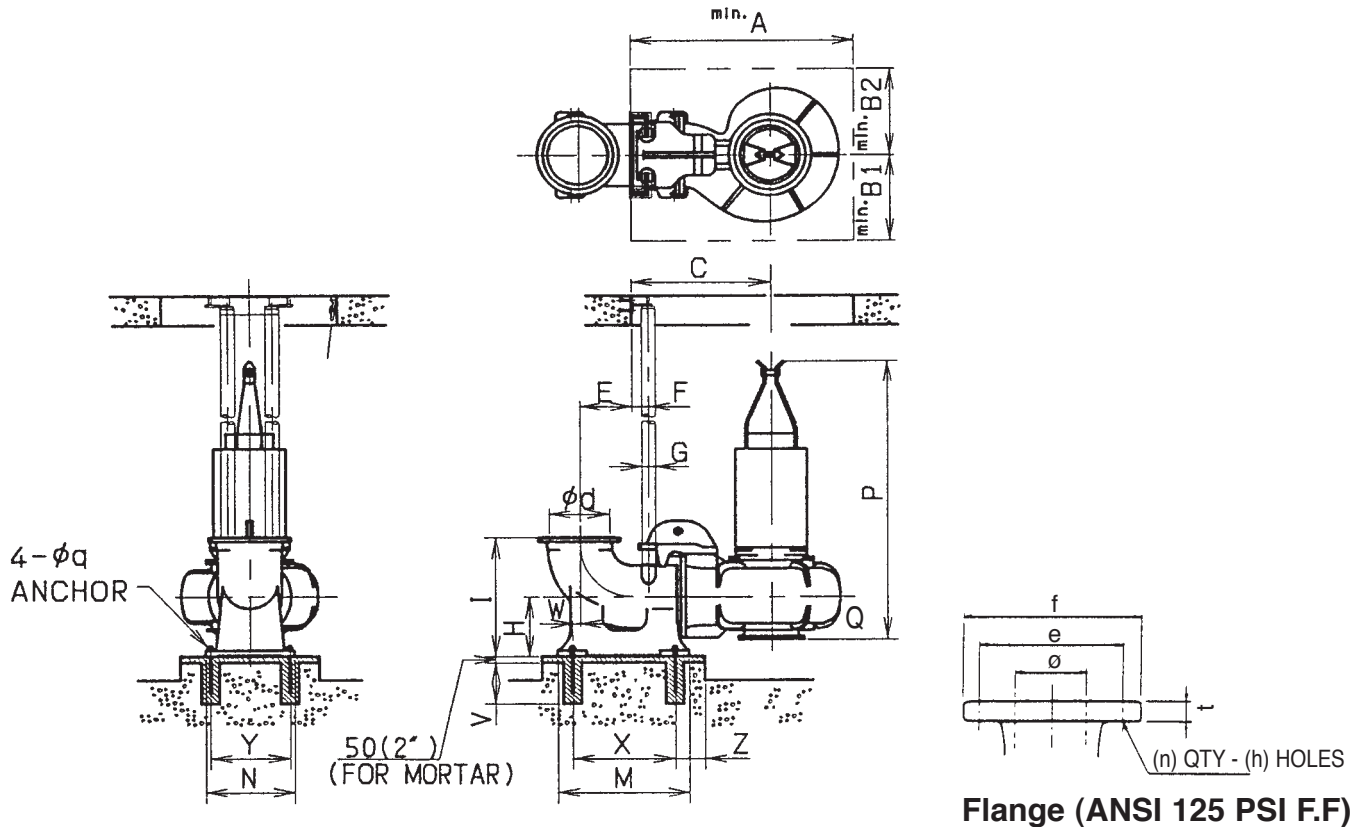
Dimensions are Approximate

† Note: Includes weight of 33 ft. standard length cables.

Dimensions

Project: _____ Model: _____ Chk'd: _____ Date: _____

Model DSC3 with Quick Discharge Connector
250DSC3 E1262



Flange (ANSI 125 PSI F.F)

inch					
ø	e	f	t	n	h
10	14 1/4	16	1 3/16	12	1

mm					
ø	e	f	t	n	h
250	362	406	30	12	25

Dimensions: inch

W1: pump weight
W2: QDC weight

Model (Pole)	HP	Pump & Motor																			Weight (Lbs.) †1		
		d	A	B1	B2	C	E	F	G	H	I	M	N	P	Q	V	W	X	Y	Z	q	W1	W2
E1262-1180L (6 Poles)	60	10	5 13/16	17 11/16	15 3/4	33 1/16	13 3/16	4 5/16	3	13 3/4	25 3/16		22 9/16	76 3/8	10 1/4	17 11/16	0	23 5/8	19 11/16	5 7/8	15 1/16	2469	507
	75	10	5 13/16	17 11/16	15 3/4	33 1/16	13 3/16	4 5/16	3	13 3/4	25 3/16	30 11/16	22 9/16	76 3/8	10 1/4	17 11/16	0	23 5/8	19 11/16	5 7/8	15 1/16	2469	507
	100	10	5 13/16	17 11/16	15 3/4	33 1/16	13 3/16	4 5/16	3	13 3/4	25 3/16	30 11/16	22 9/16	85 1/16	10 1/4	17 11/16	0	23 5/8	19 11/16	5 7/8	15 1/16	3108	507

Dimensions: mm

Model (Pole)	KW	Pump & Motor																			Weight (Lbs.) †1		
		d	A	B1	B2	C	E	F	G	H	I	M	N	P	Q	V	W	X	Y	Z	q	W1	W2
E1262-1180L (6 Poles)	45	250	1300	450	400	840	335	110	80	350	640	780	580	1940	260	450	0	600	500	150	24	1120	230
	55	250	1300	450	400	840	335	110	80	350	640	780	580	1940	260	450	0	600	500	150	24	1120	230
	75	250	1300	450	400	840	335	110	80	350	640	780	580	2160	260	450	0	600	500	150	24	1410	230

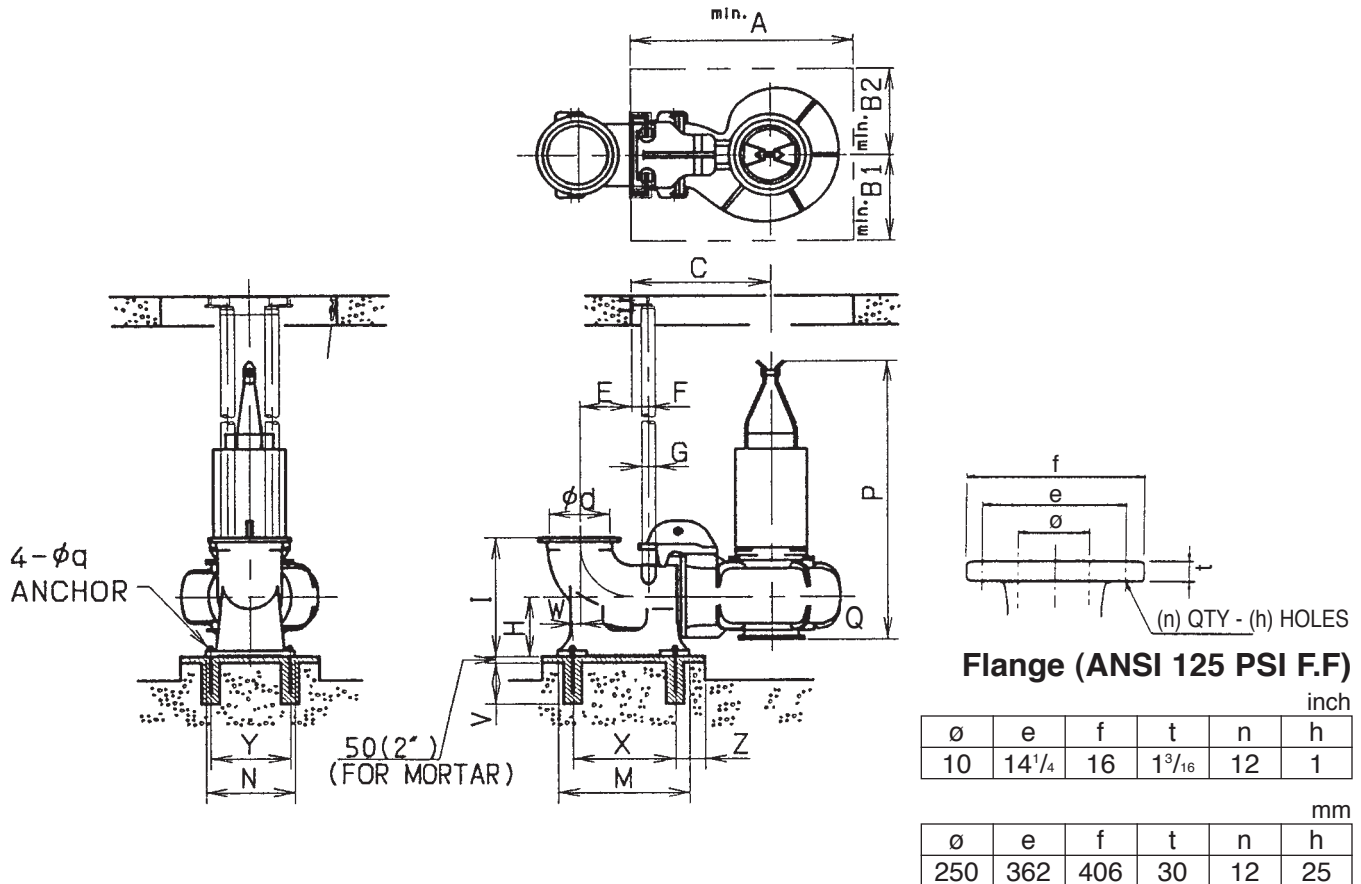
Dimensions are Approximate

† Note: Includes weight of 33 ft. standard length cables.

Dimensions

Project: _____ Model: _____ Chk'd: _____ Date: _____

Model DSC3 with Quick Discharge Connector
250DSC3 E1262



Dimensions: inch

W1: pump weight
W2: QDC weight

Model (Pole)	HP	Pump & Motor																	Weight (Lbs.) †1				
		d	A	B1	B2	C	E	F	G	H	I	M	N	P	Q	V	W	X	Y	Z	q	W1	W2
E1262-1780 (4 Poles)	175	10	51 ³ / ₁₆	17 ¹¹ / ₁₆	15 ³ / ₄	33 ¹ / ₁₆	13 ³ / ₁₆	4 ⁵ / ₁₆	3	13 ³ / ₄	25 ³ / ₁₆	30 ¹¹ / ₁₆	22 ¹³ / ₁₆	90 ¹⁵ / ₁₆	10 ¹ / ₄	17 ¹¹ / ₁₆	0	23 ⁵ / ₈	19 ¹¹ / ₁₆	5 ⁷ / ₈	1 ¹⁵ / ₁₆	3417	507
	200	10	59 ¹ / ₁₆	17 ¹¹ / ₁₆	17 ¹¹ / ₁₆	38 ³ / ₁₆	11	5 ¹ / ₂	4	13 ³ / ₄	25 ³ / ₁₆	34 ⁵ / ₈	24 ¹³ / ₁₆	104 ³ / ₄	10 ¹ / ₄	22 ¹³ / ₁₆	0	27 ⁹ / ₁₆	21 ⁵ / ₈	5 ⁷ / ₈	1 ³ / ₁₆	4960	948
	215	10	59 ¹ / ₁₆	17 ¹¹ / ₁₆	17 ¹¹ / ₁₆	38 ³ / ₁₆	11	5 ¹ / ₂	4	13 ³ / ₄	25 ³ / ₁₆	34 ⁵ / ₈	24 ¹³ / ₁₆	108 ¹¹ / ₁₆	10 ¹ / ₄	22 ¹³ / ₁₆	0	27 ⁹ / ₁₆	21 ⁵ / ₈	5 ⁷ / ₈	1 ³ / ₁₆	5181	948
	245	10	59 ¹ / ₁₆	17 ¹¹ / ₁₆	17 ¹¹ / ₁₆	38 ³ / ₁₆	11	5 ¹ / ₂	4	13 ³ / ₄	25 ³ / ₁₆	34 ⁵ / ₈	24 ¹³ / ₁₆	108 ¹¹ / ₁₆	10 ¹ / ₄	22 ¹³ / ₁₆	0	27 ⁹ / ₁₆	21 ⁵ / ₈	5 ⁷ / ₈	1 ³ / ₁₆	5423	948
	265	10	59 ¹ / ₁₆	17 ¹¹ / ₁₆	17 ¹¹ / ₁₆	38 ³ / ₁₆	11	5 ¹ / ₂	4	13 ³ / ₄	25 ³ / ₁₆	34 ⁵ / ₈	24 ¹³ / ₁₆	108 ¹¹ / ₁₆	10 ¹ / ₄	22 ¹³ / ₁₆	0	27 ⁹ / ₁₆	21 ⁵ / ₈	5 ⁷ / ₈	1 ³ / ₁₆	5556	948

Dimensions: mm

Model (Pole)	KW	Pump & Motor																	Weight (kg) †1				
		d	A	B1	B2	C	E	F	G	H	I	M	N	P	Q	V	W	X	Y	Z	q	W1	W2
E1262-1780 (4 Poles)	132	250	1300	450	400	840	335	110	80	350	640	780	580	2310	260	450	0	600	500	150	24	1550	230
	150	250	1500	450	450	970	280	140	100	350	640	880	630	2660	260	580	110	700	550	150	30	2250	430
	160	250	1500	450	450	970	280	140	100	350	640	880	630	2760	260	580	110	700	550	150	30	2350	430
	185	250	1500	450	450	970	280	140	100	350	640	880	630	2760	260	580	110	700	550	150	30	2460	430
	200	250	1500	450	450	970	280	140	100	350	640	880	630	2760	260	580	110	700	550	150	30	2520	430

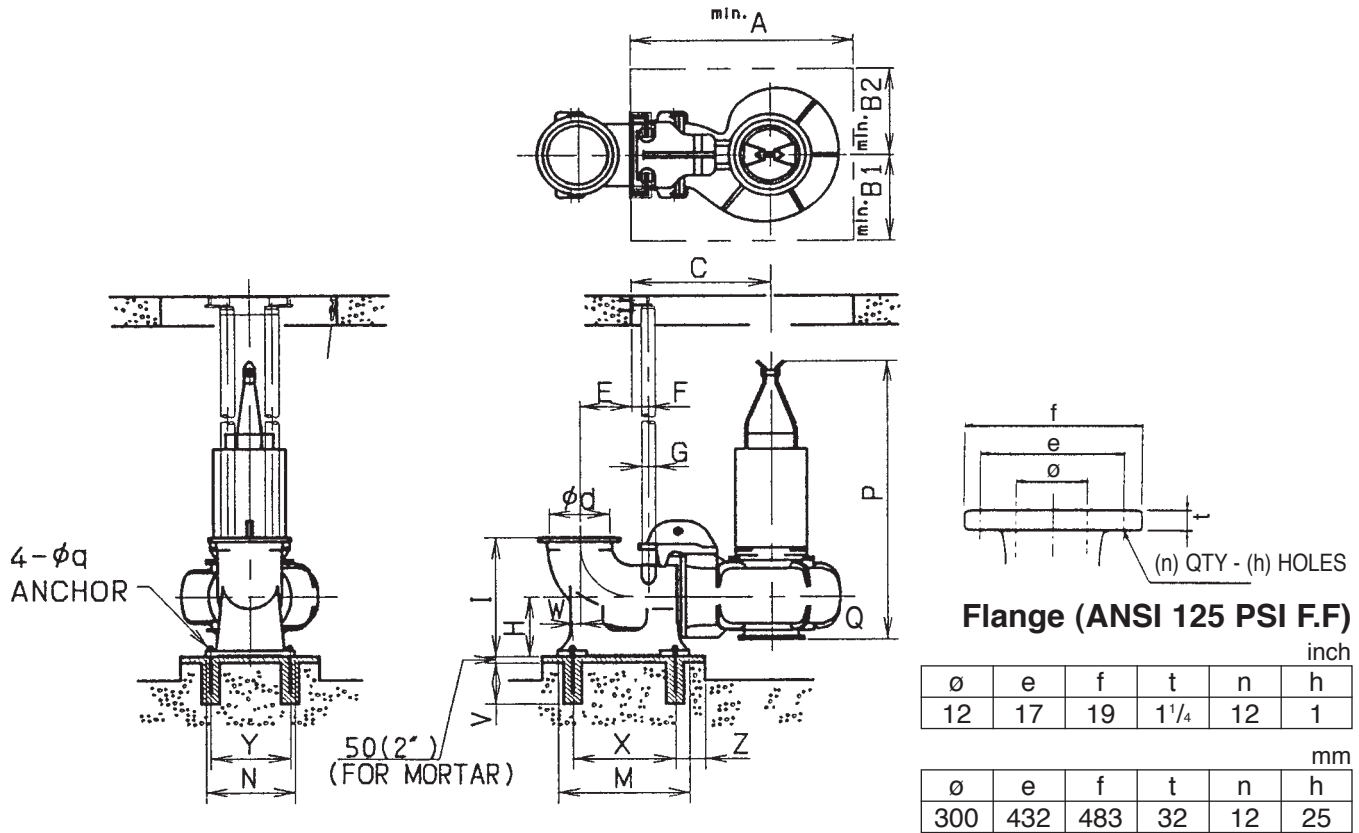
Dimensions are Approximate

† Note: Includes weight of 33 ft. standard length cables.

Dimensions

Project: _____ Model: _____ Chk'd: _____ Date: _____

Model DSC3 with Quick Discharge Connector
300DSC3 E1543



Dimensions: inch

W1: pump weight
W2: QDC weight

Model (Pole)	HP	Pump & Motor																			Weight (Lbs.) †1		
		d	A	B1	B2	C	E	F	G	H	I	M	N	P	Q	V	W	X	Y	Z	q	W1	W2
E1543-1180 (6 Poles)	200	12	63	21 1/16	18 9/16	41 15/16	9 7/16	5 1/2	4	13 3/4	26 3/4	34 5/8	24 13/16	107 1/2	12 3/8	22 13/16	4	27 9/16	21 5/8	7 7/8	1 3/16	5556	1124
	215	12	63	21 1/16	18 9/16	41 15/16	9 7/16	5 1/2	4	13 3/4	26 3/4	34 5/8	24 13/16	111 7/16	12 3/8	22 13/16	4	27 9/16	21 5/8	7 7/8	1 3/16	5974	1124
	245	12	63	21 1/16	18 9/16	41 15/16	9 7/16	5 1/2	4	13 3/4	26 3/4	34 5/8	24 13/16	111 7/16	12 3/8	22 13/16	4	27 9/16	21 5/8	7 7/8	1 3/16	6085	1124
	265	12	63	21 1/16	18 9/16	41 15/16	9 7/16	5 1/2	4	13 3/4	26 3/4	34 5/8	24 13/16	111 7/16	12 3/8	22 13/16	4	27 9/16	21 5/8	7 7/8	1 3/16	6195	1124
	295	12	65	20 7/8	20 1/2	41 15/16	9 7/16	5 1/2	4	13 3/4	26 3/4	34 5/8	24 13/16	118 7/8	12 3/8	22 13/16	4	27 9/16	21 5/8	7 7/8	1 3/16	8686	1124
335	12	65	20 7/8	20 1/2	41 15/16	9 7/16	5 1/2	4	13 3/4	26 3/4	34 5/8	24 13/16	118 7/8	12 3/8	22 13/16	4	27 9/16	21 5/8	7 7/8	1 3/16	8973	1124	

Dimensions: mm

Model (Pole)	KW	Pump & Motor																			Weight (kgf) †1		
		d	A	B1	B2	C	E	F	G	H	I	M	N	P	Q	V	W	X	Y	Z	q	W1	W2
E1543-1180 (6 Poles)	150	300	1600	535	465	1065	240	140	100	350	680	880	630	2730	315	580	100	700	550	200	30	2520	510
	160	300	1600	535	465	1065	240	140	100	350	680	880	630	2830	315	580	100	700	550	200	30	2710	510
	185	300	1600	535	465	1065	240	140	100	350	680	880	630	2830	315	580	100	700	550	200	30	2760	510
	200	300	1600	535	465	1065	240	140	100	350	680	880	630	2830	315	580	100	700	550	200	30	2810	510
	220	300	1650	530	520	1065	240	140	100	350	680	880	630	3020	315	580	100	700	550	200	30	3940	510
	250	300	1650	530	520	1065	240	140	100	350	680	880	630	3020	315	580	100	700	550	200	30	4070	510

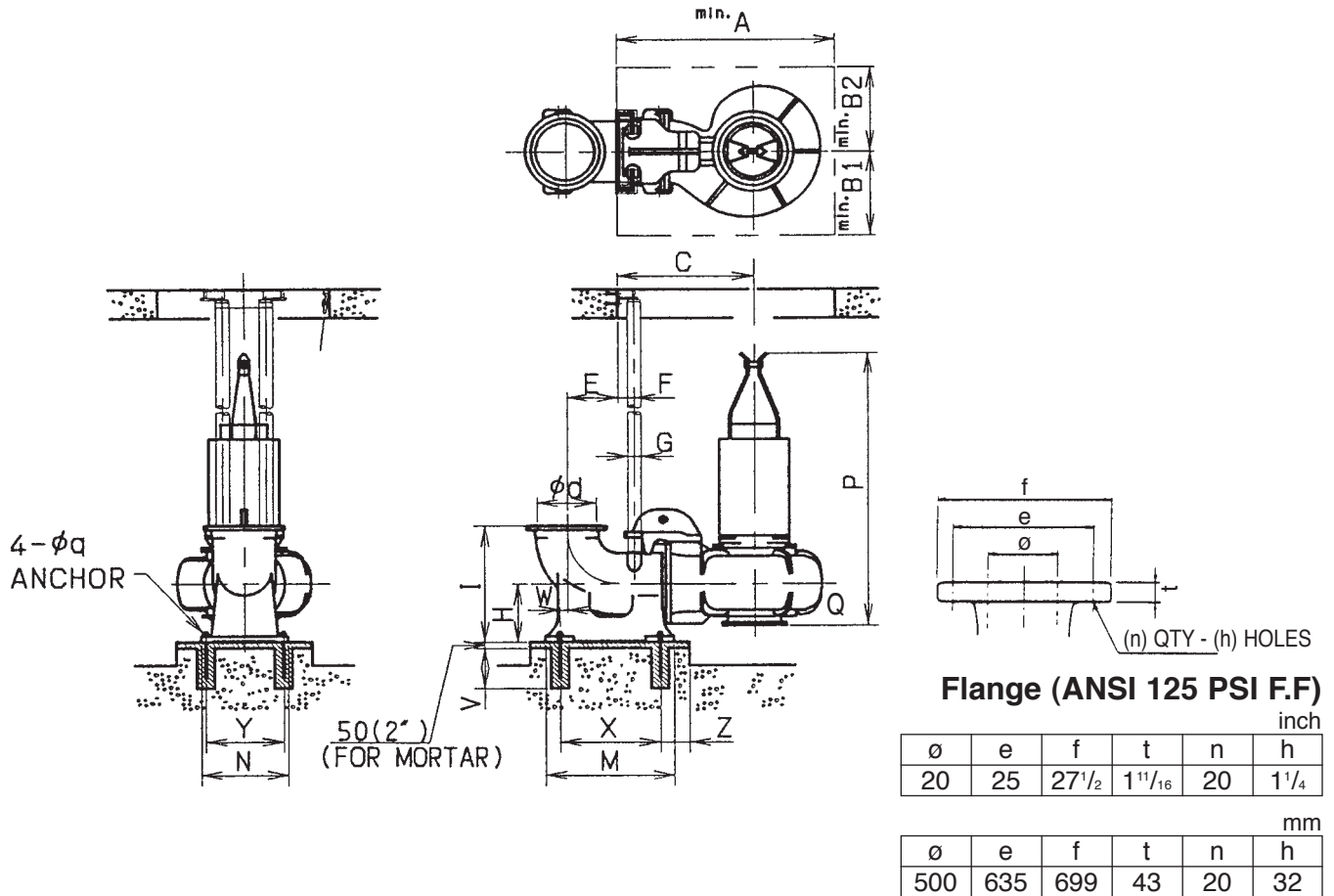
Dimensions are Approximate

† Note: Includes weight of 33 ft. standard length cables.

Dimensions

Project: _____ Model: _____ Chk'd: _____ Date: _____

Model DSC3 with Quick Discharge Connector
500DSC3 E2244



Dimensions: inch

W1: pump weight
W2: QDC weight

Model (Pole)	HP	Pump & Motor																		Weight (Lbs.) †			
		d	A	B1	B2	C	E	F	G	H	I	M	N	P	Q	V	W	X	Y	Z	q	W1	W2
E2244-885 (8 Poles)	245	20	84 5/8	26 5/8	20 7/8	51 3/4	19 5/16	5 1/2	4	19 11/16	39 3/8	42 5/16	28 3/4	116 5/16	15 3/8	17 11/16	0	33 7/16	25 9/16	7 7/8	15 1/16	8973	1433
	265	20	84 5/8	26 5/8	20 7/8	51 3/4	19 5/16	5 1/2	4	19 11/16	39 3/8	42 5/16	28 3/4	116 5/16	15 3/8	17 11/16	0	33 7/16	25 9/16	7 7/8	15 1/16	9171	1433
	295	20	84 5/8	26 5/8	20 7/8	51 3/4	19 5/16	5 1/2	4	19 11/16	39 3/8	42 5/16	28 3/4	116 5/16	15 3/8	17 11/16	0	33 7/16	25 9/16	7 7/8	15 1/16	9171	1433
	335	20	84 5/8	26 5/8	20 7/8	51 3/4	19 5/16	5 1/2	4	19 11/16	39 3/8	42 5/16	28 3/4	124 9/16	15 3/8	17 11/16	0	33 7/16	25 9/16	7 7/8	15 1/16	9788	1433
	375	20	84 5/8	26 5/8	20 7/8	51 3/4	19 5/16	5 1/2	4	19 11/16	39 3/8	42 5/16	28 3/4	124 9/16	15 3/8	17 11/16	0	33 7/16	25 9/16	7 7/8	15 1/16	9965	1433

Dimensions: mm

Model (Pole)	KW	Pump & Motor																		Weight (kgf) †			
		d	A	B1	B2	C	E	F	G	H	I	M	N	P	Q	V	W	X	Y	Z	q	W1	W2
E2244-885 (8 Poles)	185	500	2150	670	530	1315	490	140	100	500	1000	1090	730	2970	390	450	0	850	650	200	24	4070	650
	200	500	2150	670	530	1315	490	140	100	500	1000	1090	730	2970	390	450	0	850	650	200	24	4160	650
	220	500	2150	670	530	1315	490	140	100	500	1000	1090	730	2970	390	450	0	850	650	200	24	4160	650
	250	500	2150	670	530	1315	490	140	100	500	1000	1090	730	3170	390	450	0	850	650	200	24	4440	650
	280	500	2150	670	530	1315	490	140	100	500	1000	1090	730	3170	390	450	0	850	650	200	24	4520	650

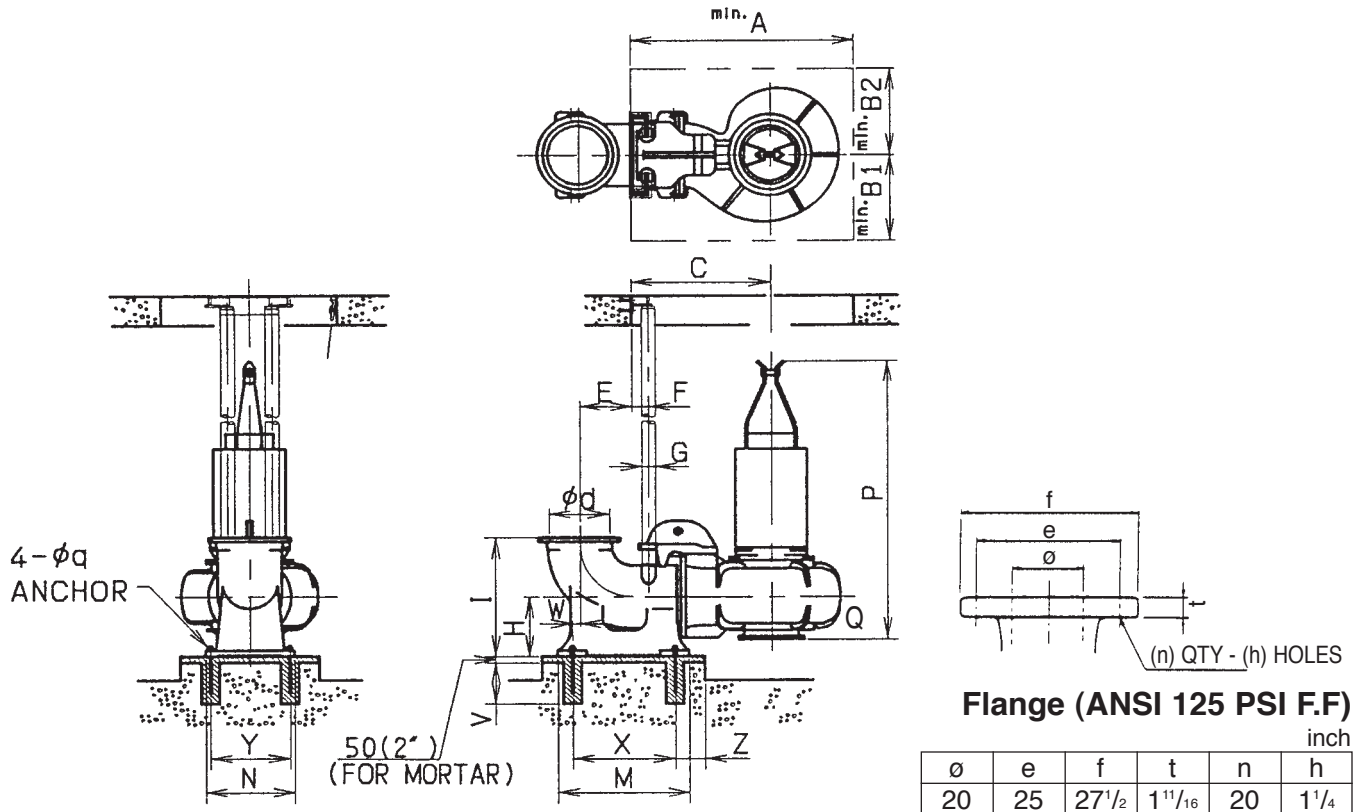
Dimensions are Approximate

† Note: Includes weight of 33 ft. standard length cables.

Dimensions

Project: _____ Model: _____ Chk'd: _____ Date: _____

Model DSC3 with Quick Discharge Connector
500DSC3 E2424



Flange (ANSI 125 PSI F.F)
inch

ø	e	f	t	n	h
20	25	27 1/2	1 11/16	20	1 1/4

ø	e	f	t	n	h
500	635	699	43	20	32

Dimensions: inch

W1: pump weight
W2: QDC weight

Model (Pole)	HP	Pump & Motor																	Weight (Lbs.) †				
		d	A	B1	B2	C	E	F	G	H	I	M	N	P	Q	V	W	X	Y	Z	q	W1	W2
E2424-885 (8 Poles)	375	20	82 5/8	28 9/16	22 5/8	54 1/2	19 5/16	5 1/2	4	19 11/16	39 3/8	42 5/16	28 3/4	126	16 11/16	17 11/16	0	33 3/16	25 9/16	7 7/8	15 1/16	10295	1433
	422	Contact EBARA																					
	475																						
	535																						
	600																						

Dimensions: mm

Model (Pole)	KW	Pump & Motor																	Weight (kg) †				
		d	A	B1	B2	C	E	F	G	H	I	M	N	P	Q	V	W	X	Y	Z	q	W1	W2
E2424-885 (8 Poles)	280	500	2100	725	575	1385	490	140	100	500	1000	1090	730	3200	420	450	0	850	650	200	24	4670	650
	315	Contact EBARA																					
	355																						
	400																						
	450																						

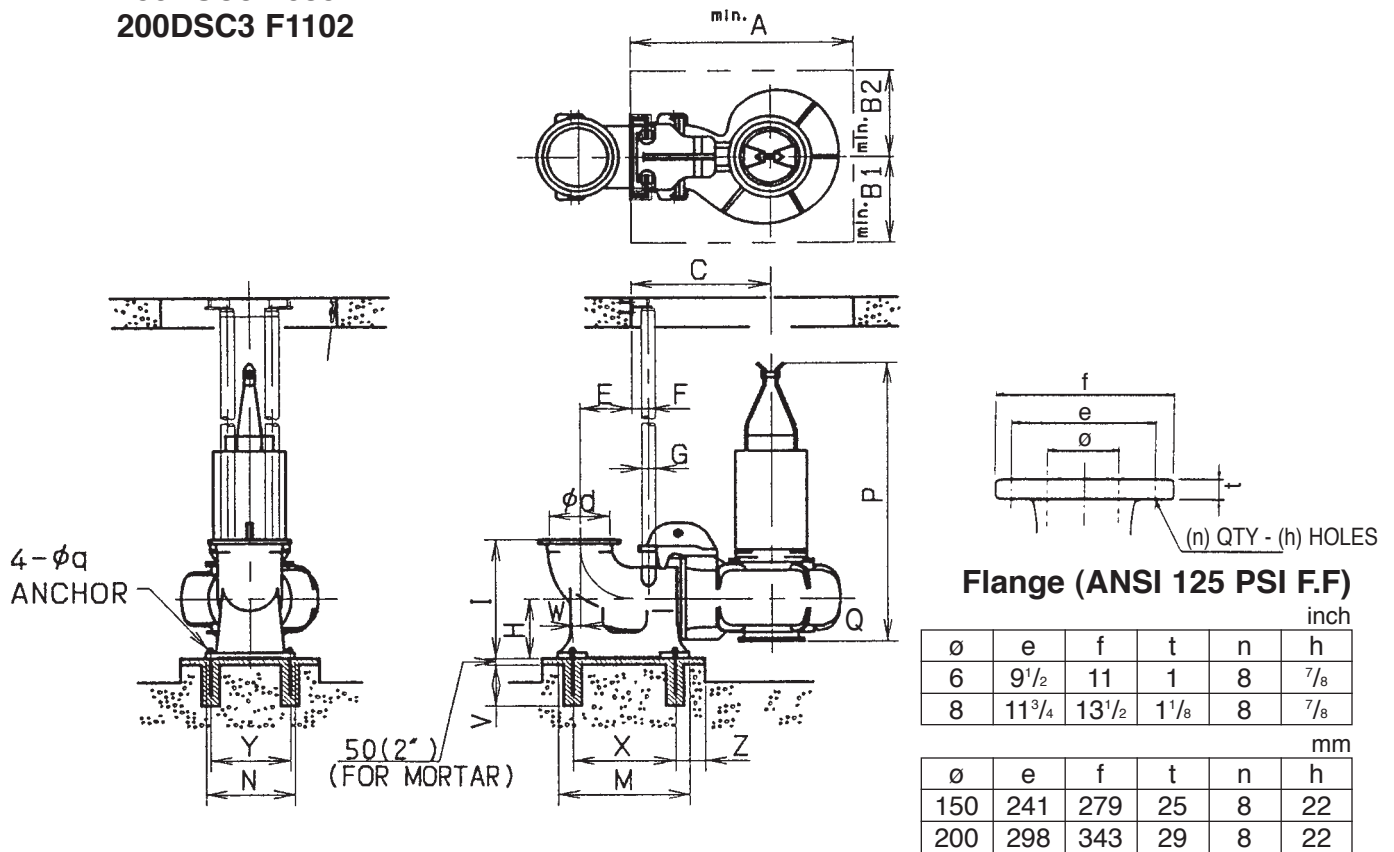
Dimensions are Approximate

† Note: Includes weight of 33 ft. standard length cables.

Dimensions

Project: _____ Model: _____ Chk'd: _____ Date: _____

Model DSC3 with Quick Discharge Connector
150DSC3 F0852
200DSC3 F1102



Dimensions: inch

W1: pump weight
W2: QDC weight

Model (Pole)	HP	Pump & Motor																		Weight (Lbs.) ††			
		d	A	B1	B2	C	E	F	G	H	I	M	N	P	Q	V	W	X	Y	Z	q	W1	W2
F0852-1760 (4 Poles)	40	Contact EBARA																					
	50	6	41 5/16	12 13/16	12 13/16	25	7 7/8	4 5/16	3	12 3/16	19 11/16	24 13/16	20 7/8	69 11/16	6 7/8	17 11/16	0	17 11/16	17 11/16	5 7/8	1 5/16	1631	243
	60	6	41 5/16	12 13/16	12 13/16	25	7 7/8	4 5/16	3	12 3/16	19 11/16	24 13/16	20 7/8	69 11/16	6 7/8	17 11/16	0	17 11/16	17 11/16	5 7/8	1 5/16	1675	243
F1102-1780 (4 Poles)	120	8	55 1/8	15 3/4	15 3/4	35 13/16	9 13/16	5 1/2	4	13 3/4	23 1/4	34 5/8	24 13/16	89 3/4	8 7/8	22 13/16	0	27 9/16	21 5/8	5 7/8	1 3/16	3263	816
	145	8	55 1/8	15 3/4	15 3/4	35 13/16	9 13/16	5 1/2	4	13 3/4	23 1/4	34 5/8	24 13/16	89 3/4	8 7/8	22 13/16	0	27 9/16	21 5/8	5 7/8	1 3/16	3351	816
	175	8	55 1/8	15 3/4	15 3/4	35 13/16	9 13/16	5 1/2	4	13 3/4	23 1/4	34 5/8	24 13/16	89 3/4	8 7/8	22 13/16	0	27 9/16	21 5/8	5 7/8	1 3/16	3439	816
	200	8	57 1/16	17 11/16	17 11/16	35 13/16	9 13/16	5 1/2	4	13 3/4	23 1/4	34 5/8	24 13/16	104 5/16	8 7/8	22 13/16	0	27 9/16	21 5/8	5 7/8	1 3/16	4762	816
	215	8	57 1/16	17 11/16	17 11/16	35 13/16	9 13/16	5 1/2	4	13 3/4	23 1/4	34 5/8	24 13/16	108 1/4	8 7/8	22 13/16	0	27 9/16	21 5/8	5 7/8	1 3/16	4982	816

Dimensions: mm

Model (Pole)	KW	Pump & Motor																		Weight (kg) ††			
		d	A	B1	B2	C	E	F	G	H	I	M	N	P	Q	V	W	X	Y	Z	q	W1	W2
F0852-1760 (4 Poles)	30	Contact EBARA																					
	37	150	1050	325	325	635	200	110	80	310	500	630	530	1770	175	450	0	450	450	150	24	740	110
	45	150	1050	325	325	635	200	110	80	310	500	630	530	1770	175	450	0	450	450	150	24	760	110
F1102-1780 (4 Poles)	90	200	1400	400	400	910	250	140	100	350	590	880	630	2280	225	580	0	700	550	150	30	1480	370
	110	200	1400	400	400	910	250	140	100	350	590	880	630	2280	225	580	0	700	550	150	30	1520	370
	132	200	1400	400	400	910	250	140	100	350	590	880	630	2280	225	580	0	700	550	150	30	1560	370
	150	200	1450	450	450	910	250	140	100	350	590	880	630	2650	225	580	0	700	550	150	30	2160	370
	160	200	1450	450	450	910	250	140	100	350	590	880	630	2750	225	580	0	700	550	150	30	2260	370

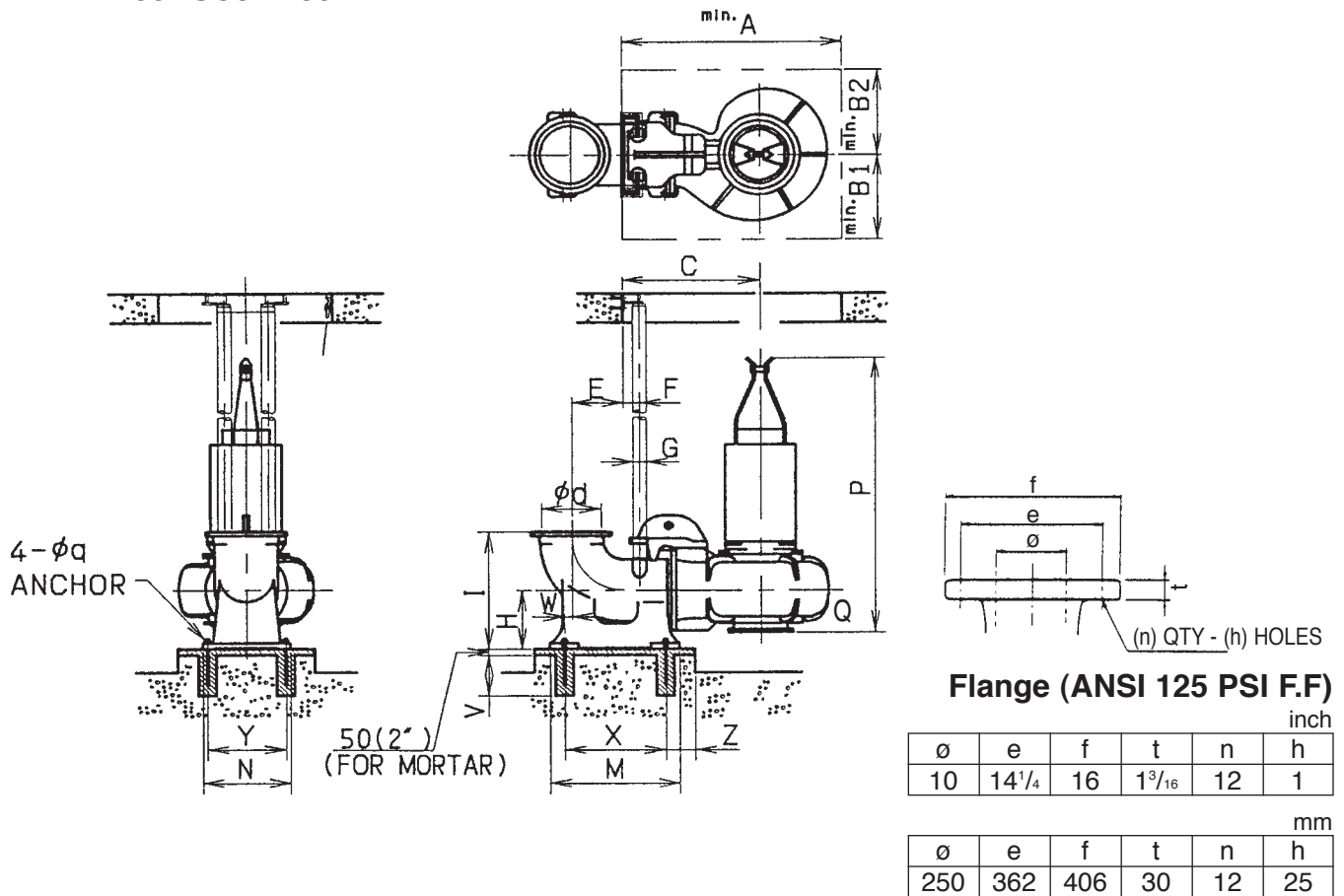
Dimensions are Approximate

† Note: Includes weight of 33 ft. standard length cables.

Dimensions

Project: _____ Model: _____ Chk'd: _____ Date: _____

Model DSC3 with Quick Discharge Connector
250DSC3 F1302



Dimensions: inch

W1: pump weight
W2: QDC weight

Model (Pole)	HP	Pump & Motor																		Weight (Lbs) †1			
		d	A	B1	B2	C	E	F	G	H	I	M	N	P	Q	V	W	X	Y	Z	q	W1	W2
F1302-1180L (6 Poles)	100	10	51 ³ / ₁₆	17 ⁵ / ₁₆	16 ¹ / ₈	32 ¹ / ₂	13 ³ / ₁₆	4 ⁵ / ₁₆	3	13 ³ / ₄	25 ⁵ / ₁₆	30 ¹¹ / ₁₆	22 ¹³ / ₁₆	85 ⁷ / ₁₆	13	17 ¹¹ / ₁₆	0	23 ⁵ / ₈	19 ¹¹ / ₁₆	5 ⁷ / ₈	15 ¹ / ₁₆	3483	507
	120	10	51 ³ / ₁₆	17 ⁵ / ₁₆	16 ¹ / ₈	32 ¹ / ₂	13 ³ / ₁₆	4 ⁵ / ₁₆	3	13 ³ / ₄	25 ⁵ / ₁₆	30 ¹¹ / ₁₆	22 ¹³ / ₁₆	85 ⁷ / ₁₆	13	17 ¹¹ / ₁₆	0	23 ⁵ / ₈	19 ¹¹ / ₁₆	5 ⁷ / ₈	15 ¹ / ₁₆	3571	507
	145	10	51 ³ / ₁₆	17 ⁵ / ₁₆	16 ¹ / ₈	32 ¹ / ₂	13 ³ / ₁₆	4 ⁵ / ₁₆	3	13 ³ / ₄	25 ⁵ / ₁₆	30 ¹¹ / ₁₆	22 ¹³ / ₁₆	91 ⁵ / ₁₆	13	17 ¹¹ / ₁₆	0	23 ⁵ / ₈	19 ¹¹ / ₁₆	5 ⁷ / ₈	15 ¹ / ₁₆	3704	507
	175	Contact EBARA																					

Dimensions: mm

Model (Pole)	KW	Pump & Motor																		Weight (kg) †1			
		d	A	B1	B2	C	E	F	G	H	I	M	N	P	Q	V	W	X	Y	Z	q	W1	W2
F1302-1180L (6 Poles)	75	250	1300	440	410	825	335	110	80	350	640	780	580	2170	330	450	0	600	500	150	24	1580	230
	90	250	1300	440	410	825	335	110	80	350	640	780	580	2170	330	450	0	600	500	150	24	1620	230
	110	250	1300	440	410	825	335	110	80	350	640	780	580	2320	330	450	0	600	500	150	24	1680	230
	132	Contact EBARA																					

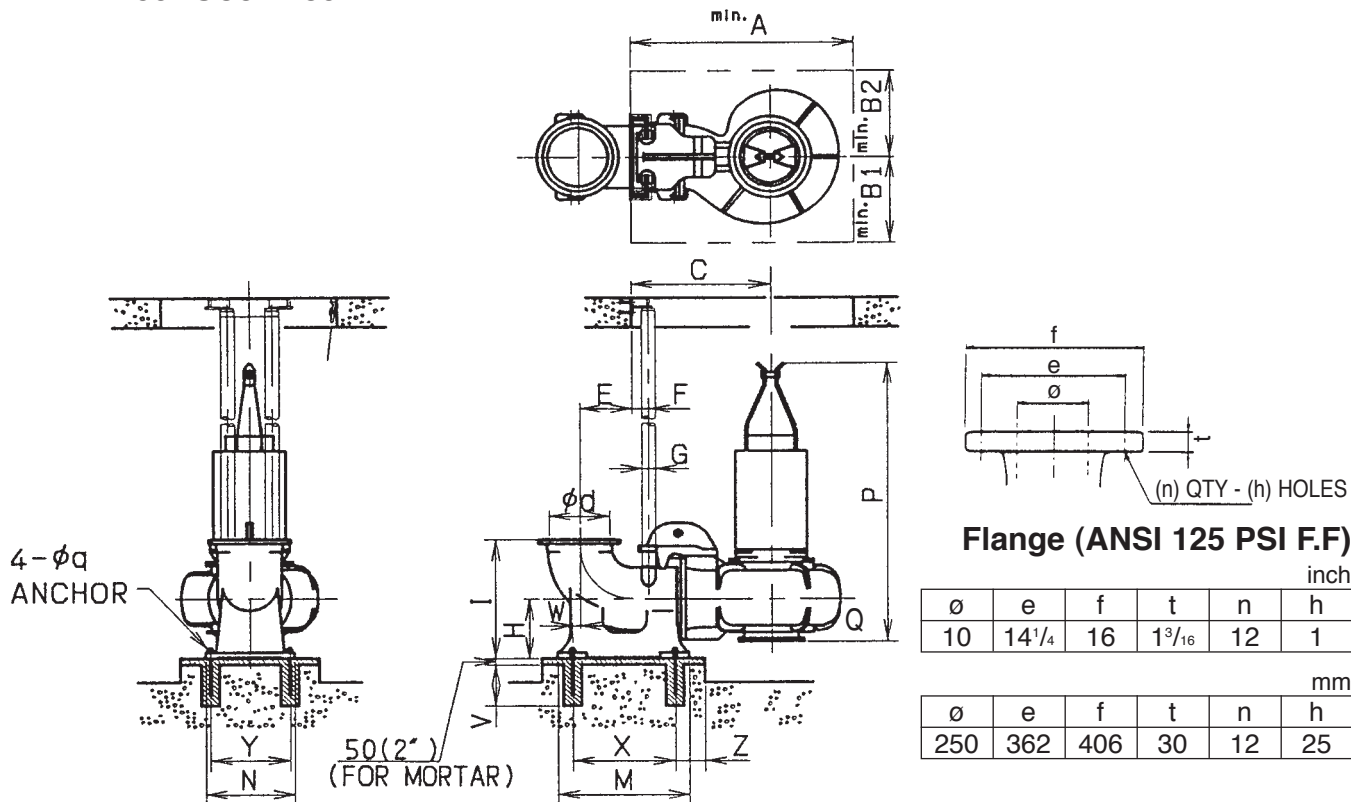
Dimensions are Approximate

† Note: Includes weight of 33 ft. standard length cables.

Dimensions

Project: _____ Model: _____ Chk'd: _____ Date: _____

Model DSC3 with Quick Discharge Connector
250DSC3 F1302



W1: pump weight
W2: QDC weight

Dimensions: inch

Model (Pole)	HP	Pump & Motor																		Weight (Lbs.) †1			
		d	A	B1	B2	C	E	F	G	H	I	M	N	P	Q	V	W	X	Y	Z	q	W1	W2
F1302-1780 (4 Poles)	265	10	5 ¹ / ₁₆	17 ¹ / ₈	16 ⁵ / ₁₆	32 ¹ / ₂	13 ³ / ₁₆	4 ⁵ / ₁₆	3	13 ³ / ₄	25 ³ / ₁₆	30 ¹ / ₁₆	22 ¹³ / ₁₆	109 ⁷ / ₈	10 ⁵ / ₈	17 ¹¹ / ₁₆	0	23 ⁵ / ₈	19 ¹¹ / ₁₆	5 ⁷ / ₈	1	5610	490
	295	10	5 ¹ / ₁₆	17 ¹ / ₈	16 ⁵ / ₁₆	32 ¹ / ₂	13 ³ / ₁₆	4 ⁵ / ₁₆	3	13 ³ / ₄	25 ³ / ₁₆	30 ¹ / ₁₆	22 ¹³ / ₁₆	109 ⁷ / ₈	10 ⁵ / ₈	17 ¹¹ / ₁₆	0	23 ⁵ / ₈	19 ¹¹ / ₁₆	5 ⁷ / ₈	1	5720	490
	335	10	5 ³ / ₈	18 ¹¹ / ₁₆	18 ¹¹ / ₁₆	32 ¹ / ₂	13 ³ / ₁₆	4 ⁵ / ₁₆	3	13 ³ / ₄	25 ³ / ₁₆	30 ¹ / ₁₆	22 ¹³ / ₁₆	130 ⁷ / ₁₆	10 ⁵ / ₈	17 ¹¹ / ₁₆	0	23 ⁵ / ₈	19 ¹¹ / ₁₆	5 ⁷ / ₈	1	8160	490
	375	10	5 ³ / ₈	18 ¹¹ / ₁₆	18 ¹¹ / ₁₆	32 ¹ / ₂	13 ³ / ₁₆	4 ⁵ / ₁₆	3	13 ³ / ₄	25 ³ / ₁₆	30 ¹ / ₁₆	22 ¹³ / ₁₆	130 ⁷ / ₁₆	10 ⁵ / ₈	17 ¹¹ / ₁₆	0	23 ⁵ / ₈	19 ¹¹ / ₁₆	5 ⁷ / ₈	1	8300	490
	422	Contact EBARA																					
475	Contact EBARA																						
535	Contact EBARA																						

Dimensions: mm

Model (Pole)	KW	Pump & Motor																		Weight (kg) †1			
		d	A	B1	B2	C	E	F	G	H	I	M	N	P	Q	V	W	X	Y	Z	q	W1	W2
F1302-1780 (4 Poles)	200	250	1300	435	415	825	335	110	80	350	640	780	580	2790	270	450	0	600	500	150	24	2540	220
	220	250	1300	435	415	825	335	110	80	350	640	780	580	2790	270	450	0	600	500	150	24	2590	220
	250	250	1350	475	475	825	335	110	80	350	640	780	580	3310	270	450	0	600	500	150	24	3700	220
	280	250	1350	475	475	825	335	110	80	350	640	780	580	3310	270	450	0	600	500	150	24	3760	220
	315	Contact EBARA																					
	355	Contact EBARA																					
400	Contact EBARA																						

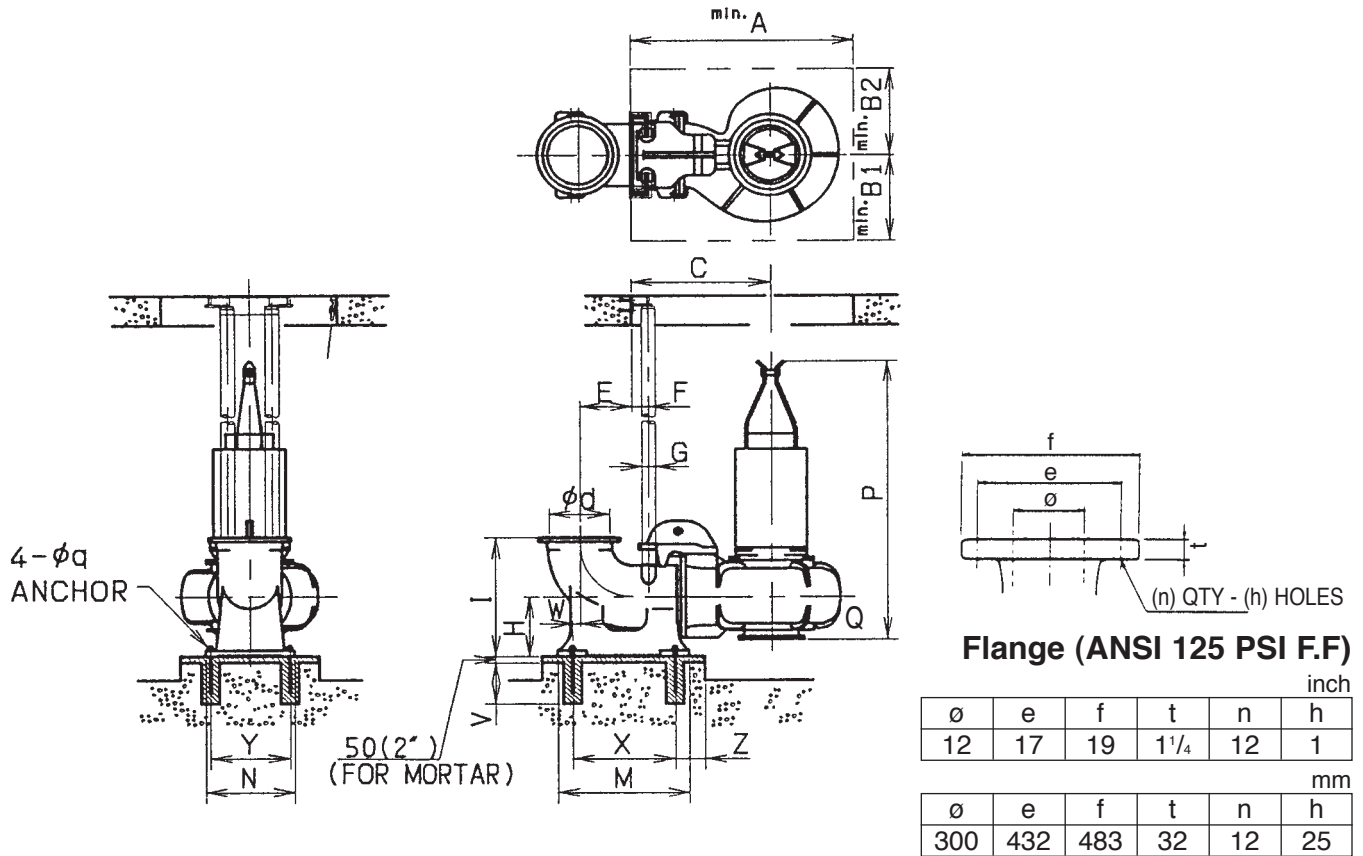
Dimensions are Approximate

† Note: Includes weight of 33 ft. standard length cables.

Dimensions

Project: _____ Model: _____ Chk'd: _____ Date: _____

Model DSC3 with Quick Discharge Connector
300DSC3 F1593



Dimensions: inch

W1: pump weight
W2: QDC weight

Model (Pole)	HP	Pump & Motor																			Weight (Lbs.) †		
		d	A	B1	B2	C	E	F	G	H	I	M	N	P	Q	V	W	X	Y	Z	q	W1	W2
F1593-1180 (6 Poles)	295	12	59 1/16	20 1/2	18 7/8	36 13/16	13 3/8	4 5/16	3	13 3/4	26 3/4	30 11/16	22 13/16	130 5/16	12 13/16	17 11/16	0	23 5/8	19 11/16	7 7/8	1	8960	560
	335	12	59 1/16	20 1/2	18 7/8	36 13/16	13 3/8	4 5/16	3	13 3/4	26 3/4	30 11/16	22 13/16	130 5/16	12 13/16	17 11/16	0	23 5/8	19 11/16	7 7/8	1	9240	560
	375	12	63	20 1/2	18 7/8	38 3/4	11 7/16	5 1/2	4	13 3/4	26 3/4	34 5/8	24 13/16	133 7/8	12 13/16	22 13/16	3 15/16	27 7/16	21 5/8	9 13/16	1 3/16	10141	1102
	422	Contact EBARA																					
	475	Contact EBARA																					
535	Contact EBARA																						

Dimensions: mm

Model (Pole)	KW	Pump & Motor																			Weight (kg) †		
		d	A	B1	B2	C	E	F	G	H	I	M	N	P	Q	V	W	X	Y	Z	q	W1	W2
F1593-1180 (6 Poles)	220	300	1500	520	480	935	340	110	80	350	680	780	580	3310	325	450	0	600	500	200	24	4060	250
	250	300	1500	520	480	935	340	110	80	350	680	780	580	3310	325	450	0	600	500	200	24	4190	250
	280	300	1600	520	480	985	290	140	100	350	680	880	630	3400	325	580	100	700	550	250	30	4600	500
	315	Contact EBARA																					
	355	Contact EBARA																					
400	Contact EBARA																						

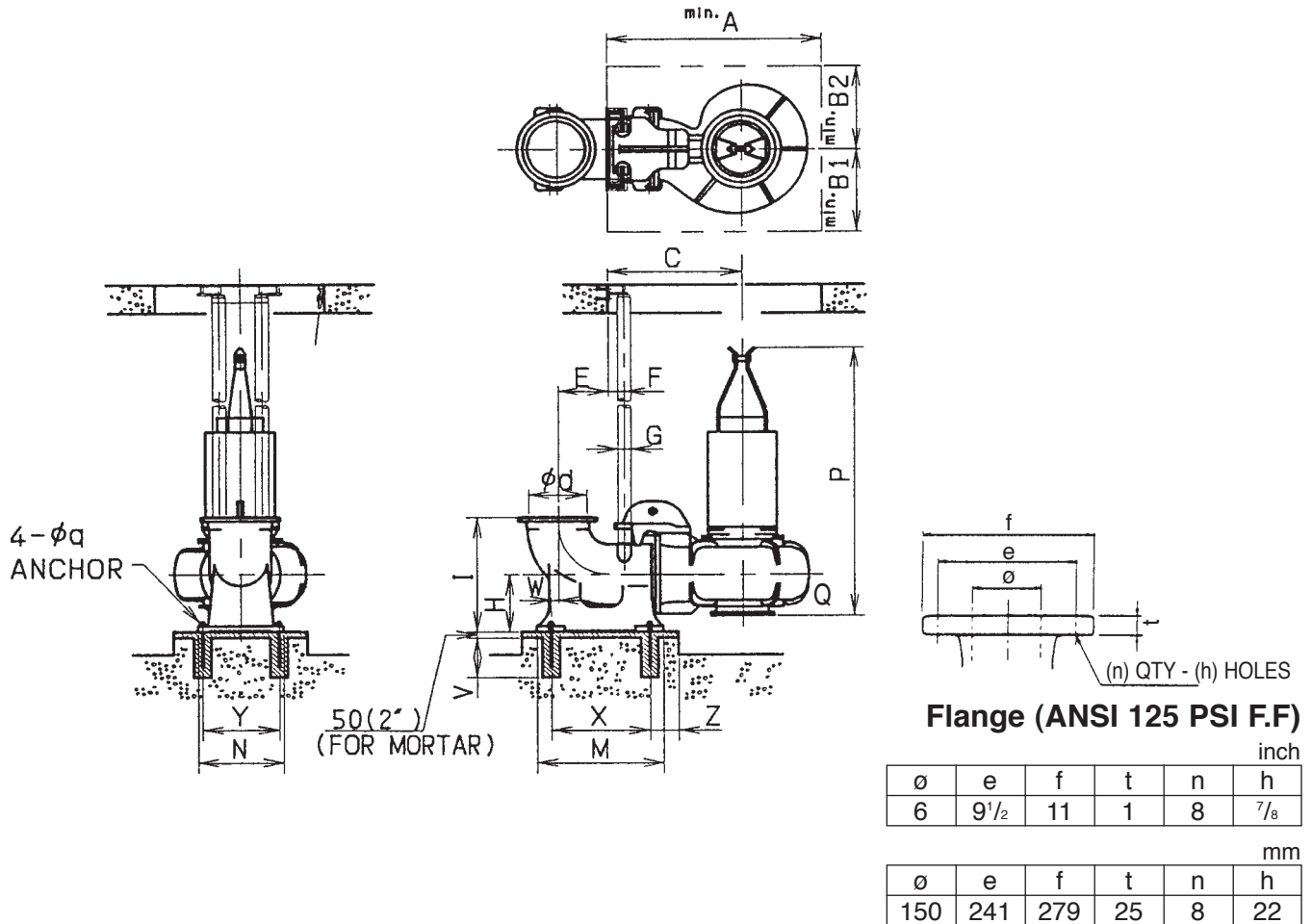
Dimensions are Approximate

† Note: Includes weight of 33 ft. standard length cables.

Dimensions

Project: _____ Model: _____ Chk'd: _____ Date: _____

Model DSC3 with Quick Discharge Connector
150DSC3 G0852



Flange (ANSI 125 PSI F.F)

inch					
ø	e	f	t	n	h
6	9 1/2	11	1	8	7/8

mm					
ø	e	f	t	n	h
150	241	279	25	8	22

Dimensions: inch

W1: pump weight
W2: QDC weight

Model (Pole)	HP	Pump & Motor																			Weight (Lbs.) †		
		d	A	B1	B2	C	E	F	G	H	I	M	N	P	Q	V	W	X	Y	Z	q	W1	W2
G0852-1180L (6 Poles)	20	6	4 15/16	12 13/16	12 13/16	26 3/8	7 7/8	4 5/16	3	12 2/16	19 11/16	24 13/16	20 7/8	46 7/16	13	17 11/16	0	17 11/16	17 11/16	5 7/8	15 15/16	948	243
	25	6	4 15/16	12 13/16	12 13/16	26 3/8	7 7/8	4 5/16	3	12 2/16	19 11/16	24 13/16	20 7/8	46 7/16	13	17 11/16	0	17 11/16	17 11/16	5 7/8	15 15/16	970	243
	30	6	4 15/16	12 13/16	12 13/16	26 3/8	7 7/8	4 5/16	3	12 2/16	19 11/16	24 13/16	20 7/8	46 7/16	13	17 11/16	0	17 11/16	17 11/16	5 7/8	15 15/16	992	243
	40	6	4 3/8	12 13/16	12 13/16	26 3/8	7 7/8	4 5/16	3	12 1/16	19 11/16	24 13/16	20 7/8	69 11/16	13	17 11/16	0	17 11/16	17 11/16	5 7/8	15 15/16	1543	243

Dimensions: mm

Model (Pole)	KW	Pump & Motor																			Weight (kgf) †		
		d	A	B1	B2	C	E	F	G	H	I	M	N	P	Q	V	W	X	Y	Z	q	W1	W2
G0852-1180L (6 Poles)	15	150	1050	325	325	670	200	110	80	310	500	630	530	1180	330	450	0	450	450	150	24	430	110
	18.5	150	1050	325	325	670	200	110	80	310	500	630	530	1180	330	450	0	450	450	150	24	440	110
	22	150	1050	325	325	670	200	110	80	310	500	630	530	1180	330	450	0	450	450	150	24	450	110
	30	150	1100	325	325	670	200	110	80	310	500	630	530	1770	330	450	0	450	450	150	24	700	110

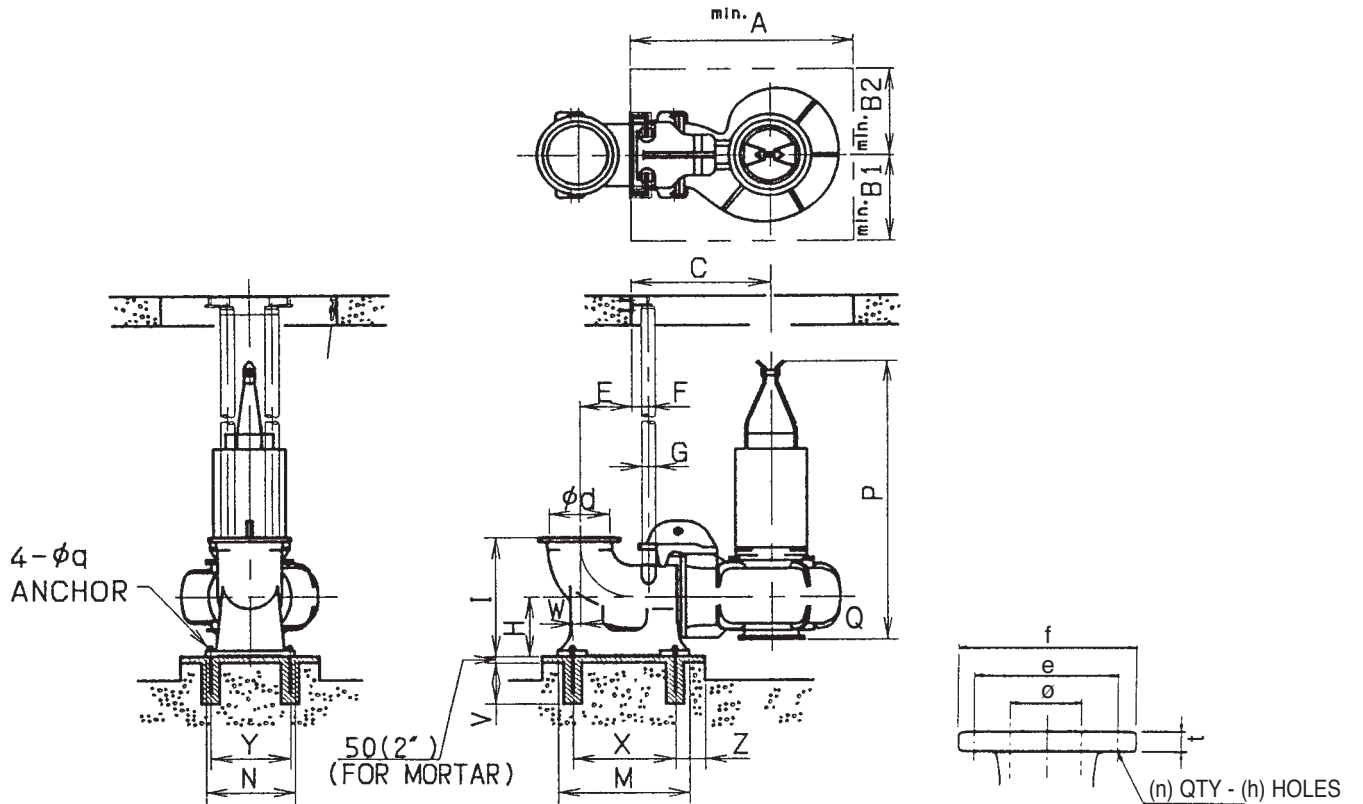
Dimensions are Approximate

† Note: Includes weight of 33 ft. standard length cables.

Dimensions

Project: _____ Model: _____ Chk'd: _____ Date: _____

Model DSC3 with Quick Discharge Connector
150DSC3 G0932



Flange (ANSI 125 PSI F.F)

inch					
ø	e	f	t	n	h
6	9 ¹ / ₂	11	1	8	7 ⁷ / ₈

mm					
ø	e	f	t	n	h
150	241	279	25	8	22

W1: pump weight
W2: QDC weight

Dimensions: inch

Model (Pole)	HP	Pump & Motor																		Weight (Lbs.) †			
		d	A	B1	B2	C	E	F	G	H	I	M	N	P	Q	V	W	X	Y	Z	q	W1	W2
G0932-1180L (6 Poles)	25	6	43 ⁵ / ₁₆	13 ³ / ₄	13 ³ / ₄	28 ¹ / ₈	7 ⁷ / ₈	4 ⁵ / ₁₆	3	12 ³ / ₁₆	19 ¹¹ / ₁₆	24 ¹³ / ₁₆	20 ⁷ / ₈	47 ¹ / ₄	13	17 ¹¹ / ₁₆	0	17 ¹¹ / ₁₆	17 ¹¹ / ₁₆	5 ⁷ / ₈	15 ¹⁵ / ₁₆	1058	243
	30	6	43 ⁵ / ₁₆	13 ³ / ₄	13 ³ / ₄	28 ¹ / ₈	7 ⁷ / ₈	4 ⁵ / ₁₆	3	12 ³ / ₁₆	19 ¹¹ / ₁₆	24 ¹³ / ₁₆	20 ⁷ / ₈	47 ¹ / ₄	13	17 ¹¹ / ₁₆	0	17 ¹¹ / ₁₆	17 ¹¹ / ₁₆	5 ⁷ / ₈	15 ¹⁵ / ₁₆	1080	243
	40	6	43 ⁵ / ₁₆	13 ³ / ₄	13 ³ / ₄	28 ¹ / ₈	7 ⁷ / ₈	4 ⁵ / ₁₆	3	12 ³ / ₁₆	19 ¹¹ / ₁₆	24 ¹³ / ₁₆	20 ⁷ / ₈	70 ¹ / ₁₆	13	17 ¹¹ / ₁₆	0	17 ¹¹ / ₁₆	17 ¹¹ / ₁₆	5 ⁷ / ₈	15 ¹⁵ / ₁₆	1631	243

Dimensions: mm

Model (Pole)	KW	Pump & Motor																		Weight (Lbs.) †			
		d	A	B1	B2	C	E	F	G	H	I	M	N	P	Q	V	W	X	Y	Z	q	W1	W2
G0932-1180L (6 Poles)	18.5	150	1100	350	350	715	200	110	80	310	500	630	530	1200	330	450	0	450	450	150	24	480	110
	22	150	1100	350	350	715	200	110	80	310	500	630	530	1200	330	450	0	450	450	150	24	490	110
	30	150	1100	350	350	715	200	110	80	310	500	630	530	1780	330	450	0	450	450	150	24	740	110

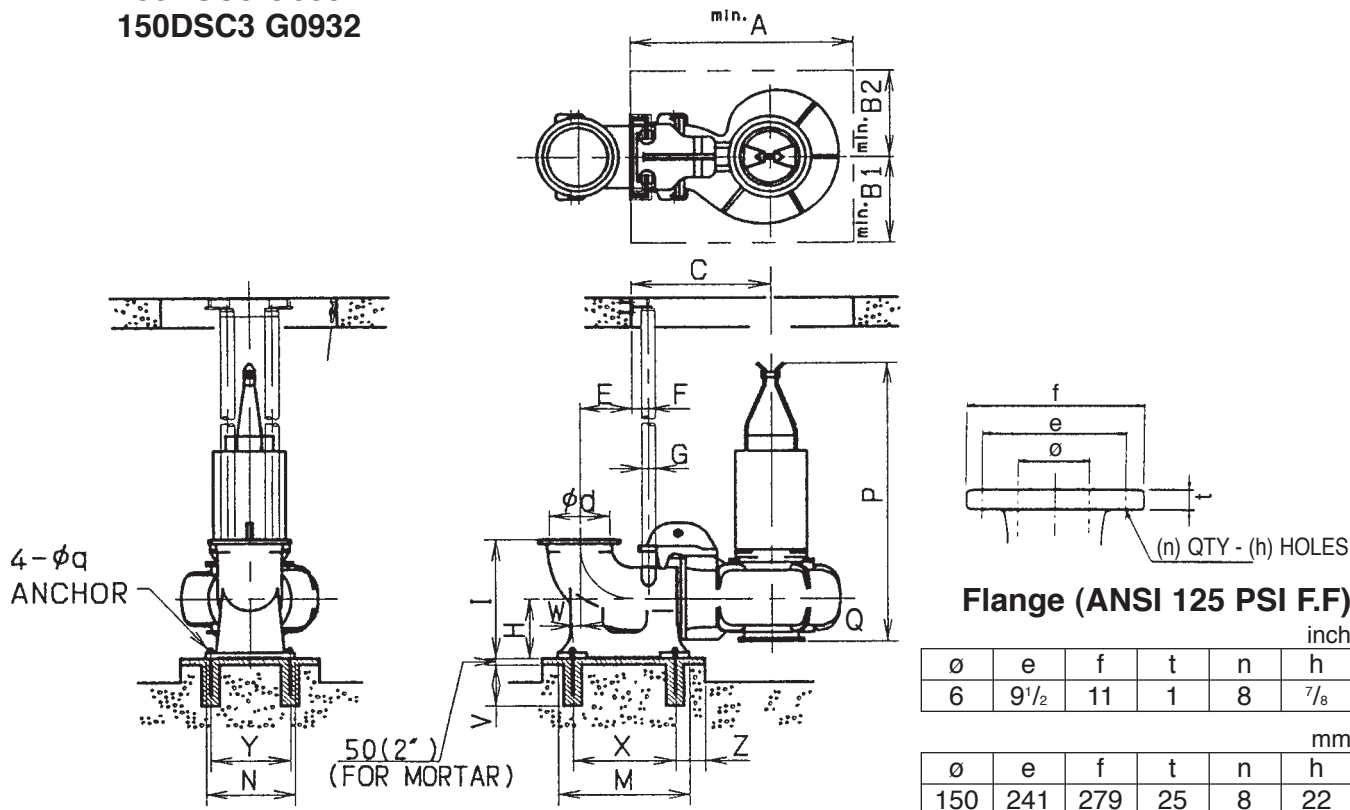
Dimensions are Approximate

† Note: Includes weight of 33 ft. standard length cables.

Dimensions

Project: _____ Model: _____ Chk'd: _____ Date: _____

Model DSC3 with Quick Discharge Connector
150DSC3 G0852
150DSC3 G0932



Dimensions: inch

W1: pump weight
W2: QDC weight

Model (Pole)	HP	Pump & Motor																	Weight (Lbs.) †				
		d	A	B1	B2	C	E	F	G	H	I	M	N	P	Q	V	W	X	Y	Z	q	W1	W2
G0852-1760 (4 Poles)	50	6	43 ⁵ / ₁₆	12 ¹³ / ₁₆	12 ¹³ / ₁₆	26 ³ / ₈	7 ⁷ / ₈	4 ⁵ / ₁₆	3	12 ² / ₁₆	19 ¹¹ / ₁₆	24 ¹³ / ₁₆	20 ⁷ / ₈	69 ¹¹ / ₁₆	6 ⁷ / ₈	17 ¹¹ / ₁₆	0	17 ¹¹ / ₁₆	17 ¹¹ / ₁₆	5 ⁷ / ₈	1 ¹⁵ / ₁₆	1521	243
	60	6	43 ⁵ / ₁₆	12 ¹³ / ₁₆	12 ¹³ / ₁₆	26 ³ / ₈	7 ⁷ / ₈	4 ⁵ / ₁₆	3	12 ² / ₁₆	19 ¹¹ / ₁₆	24 ¹³ / ₁₆	20 ⁷ / ₈	69 ¹¹ / ₁₆	6 ⁷ / ₈	17 ¹¹ / ₁₆	0	17 ¹¹ / ₁₆	17 ¹¹ / ₁₆	5 ⁷ / ₈	1 ¹⁵ / ₁₆	1565	243
	75	6	43 ⁵ / ₁₆	12 ¹³ / ₁₆	12 ¹³ / ₁₆	26 ³ / ₈	7 ⁷ / ₈	4 ⁵ / ₁₆	3	12 ² / ₁₆	19 ¹¹ / ₁₆	24 ¹³ / ₁₆	20 ⁷ / ₈	69 ¹¹ / ₁₆	6 ⁷ / ₈	17 ¹¹ / ₁₆	0	17 ¹¹ / ₁₆	17 ¹¹ / ₁₆	5 ⁷ / ₈	1 ¹⁵ / ₁₆	1609	243
	100	6	43 ⁵ / ₁₆	12 ¹³ / ₁₆	12 ¹³ / ₁₆	26 ³ / ₈	7 ⁷ / ₈	4 ⁵ / ₁₆	3	12 ² / ₁₆	19 ¹¹ / ₁₆	24 ¹³ / ₁₆	20 ⁷ / ₈	73 ³ / ₈	6 ⁷ / ₈	17 ¹¹ / ₁₆	0	17 ¹¹ / ₁₆	17 ¹¹ / ₁₆	5 ⁷ / ₈	1 ¹⁵ / ₁₆	1764	243
G0932-1770 (4 Poles)	75	6	43 ⁵ / ₁₆	13 ³ / ₄	13 ³ / ₄	28 ¹ / ₈	7 ⁷ / ₈	4 ⁵ / ₁₆	4	12 ² / ₁₆	19 ¹¹ / ₁₆	24 ¹³ / ₁₆	20 ⁷ / ₈	70 ¹ / ₁₆	7 ¹¹ / ₁₆	17 ¹¹ / ₁₆	0	17 ¹¹ / ₁₆	17 ¹¹ / ₁₆	5 ⁷ / ₈	1 ¹⁵ / ₁₆	1698	243
	100	6	43 ⁵ / ₁₆	13 ³ / ₄	13 ³ / ₄	28 ¹ / ₈	7 ⁷ / ₈	4 ⁵ / ₁₆	4	12 ² / ₁₆	19 ¹¹ / ₁₆	24 ¹³ / ₁₆	20 ⁷ / ₈	74	7 ¹¹ / ₁₆	17 ¹¹ / ₁₆	0	17 ¹¹ / ₁₆	17 ¹¹ / ₁₆	5 ⁷ / ₈	1 ¹⁵ / ₁₆	1830	243
	120	6	49 ³ / ₁₆	15 ³ / ₄	15 ³ / ₄	31 ⁵ / ₁₆	6 ¹¹ / ₁₆	5 ¹ / ₂	4	12 ² / ₁₆	19 ¹¹ / ₁₆	28 ³ / ₄	22 ³ / ₁₆	88 ⁹ / ₁₆	7 ¹¹ / ₁₆	22 ¹³ / ₁₆	1 ¹⁵ / ₁₆	21 ⁵ / ₈	19 ¹¹ / ₁₆	5 ⁷ / ₈	1 ³ / ₁₆	2756	595

Dimensions: mm

Model (Pole)	KW	Pump & Motor																	Weight (kg) †				
		d	A	B1	B2	C	E	F	G	H	I	M	N	P	Q	V	W	X	Y	Z	q	W1	W2
G0852-1760 (4 Poles)	37	150	1100	325	325	670	200	110	80	310	500	630	530	1770	175	450	0	450	450	150	24	690	110
	45	150	1100	325	325	670	200	110	80	310	500	630	530	1770	175	450	0	450	450	150	24	710	110
	55	150	1100	325	325	670	200	110	80	310	500	630	530	1770	175	450	0	450	450	150	24	730	110
	75	150	1100	325	325	670	200	110	80	310	500	630	530	1870	175	450	0	450	450	150	24	790	110
G0932-1770 (4 Poles)	55	150	1100	350	350	715	200	110	80	310	500	630	530	1780	195	450	0	450	450	150	24	770	110
	75	150	1100	350	350	715	200	110	80	310	500	630	530	1880	195	450	0	450	450	150	24	830	110
	90	150	1250	400	400	795	170	140	100	310	500	730	580	2250	195	580	50	550	500	150	30	1250	270

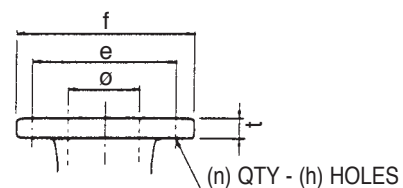
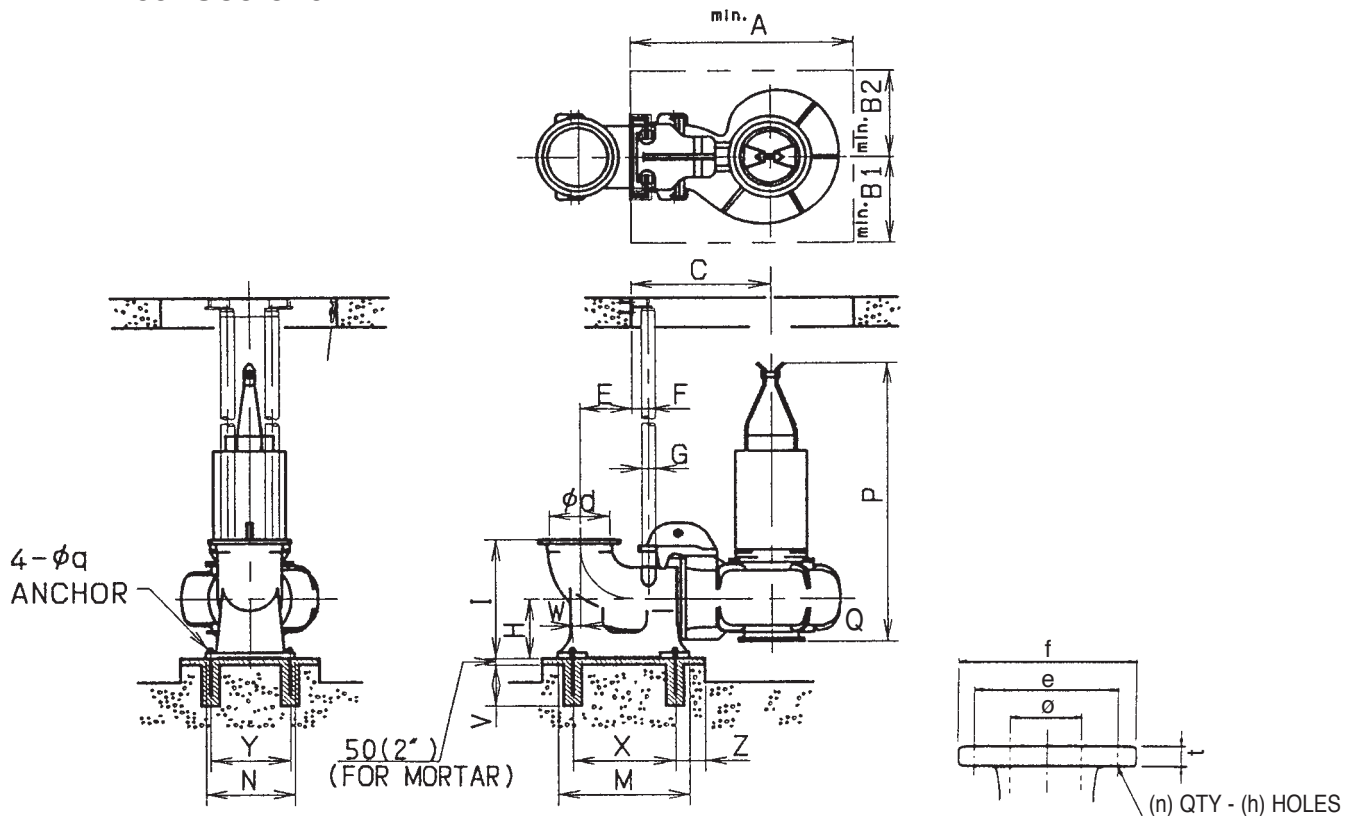
Dimensions are Approximate

† Note: Includes weight of 33 ft. standard length cables.

Dimensions

Project: _____ Model: _____ Chk'd: _____ Date: _____

Model DSC3 with Quick Discharge Connector
150DSC3 G1012



Flange (ANSI 125 PSI F.F)
inch

ø	e	f	t	n	h
6	9 1/2	11	1	8	7/8

mm

ø	e	f	t	n	h
150	241	279	25	8	22

W1: pump weight
W2: QDC weight

Dimensions: inch

Model (Pole)	HP	Pump & Motor																			Weight (Lbs.) †		
		d	A	B1	B2	C	E	F	G	H	I	M	N	P	Q	V	W	X	Y	Z	q	W1	W2
G1012-1180L (6 Poles)	40	6	45 1/4	14	13 9/16	28 15/16	7 7/8	4 5/16	3	12 3/16	19 11/16	24 13/16	20 7/8	70 7/8	13	17 11/16	0	17 11/16	17 11/16	5 7/8	15 1/16	1830	243
	50	6	45 1/4	14	13 9/16	28 15/16	7 7/8	4 5/16	3	12 3/16	19 11/16	24 13/16	20 7/8	70 7/8	13	17 11/16	0	17 11/16	17 11/16	5 7/8	15 1/16	1874	243
	60	6	45 1/4	14	13 9/16	28 15/16	7 7/8	4 5/16	3	12 3/16	19 11/16	24 13/16	20 7/8	74 13/16	13	17 11/16	0	17 11/16	17 11/16	5 7/8	15 1/16	1962	243

Dimensions: mm

Model (Pole)	KW	Pump & Motor																			Weight (Lbs.) †		
		d	A	B1	B2	C	E	F	G	H	I	M	N	P	Q	V	W	X	Y	Z	q	W1	W2
G1012-1180L (6 Poles)	30	150	1150	355	345	735	200	110	80	310	500	630	530	1800	330	450	0	450	450	150	24	830	110
	37	150	1150	355	345	735	200	110	80	310	500	630	530	1800	330	450	0	450	450	150	24	850	110
	45	150	1150	355	345	735	200	110	80	310	500	630	530	1900	330	450	0	450	450	150	24	890	110

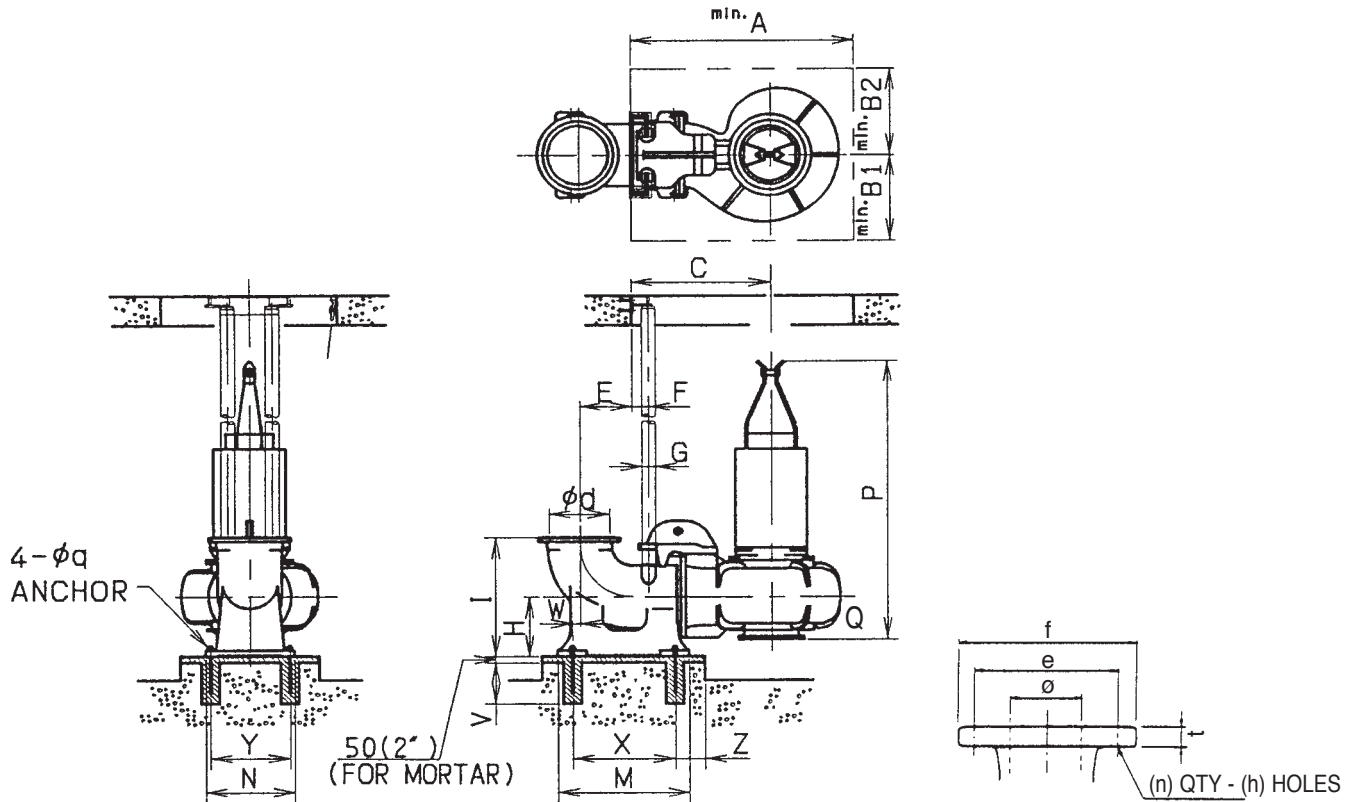
Dimensions are Approximate

† Note: Includes weight of 33 ft. standard length cables.

Dimensions

Project: _____ Model: _____ Chk'd: _____ Date: _____

Model DSC3 with Quick Discharge Connector
200DSC3 G1102



Flange (ANSI 125 PSI F.F)

inch	ø	e	f	t	n	h
	8	11 ³ / ₄	11 ¹ / ₂	1 ¹ / ₈	8	7 ⁷ / ₈
mm	ø	e	f	t	n	h
	200	298	343	29	8	22

W1: pump weight
W2: QDC weight

Dimensions: inch

Model (Pole)	HP	Pump & Motor																			Weight (Lbs.) †		
		d	A	B1	B2	C	E	F	G	H	I	M	N	P	Q	V	W	X	Y	Z	q	W1	W2
G1102-1180L (6 Poles)	60	8	49 ⁹ / ₁₆	15 ³ / ₄	15 ³ / ₄	31 ¹¹ / ₁₆	12	4 ⁵ / ₁₆	3	13 ³ / ₄	23 ¹ / ₄	29 ¹ / ₂	22 ¹³ / ₁₆	75 ⁵ / ₁₆	13	17 ¹¹ / ₁₆	0	22 ⁷ / ₁₆	19 ¹¹ / ₁₆	5 ⁷ / ₈	15 ¹⁵ / ₁₆	2072	441
	75	8	49 ⁹ / ₁₆	15 ³ / ₄	15 ³ / ₄	31 ¹¹ / ₁₆	12	4 ⁵ / ₁₆	3	13 ³ / ₄	23 ¹ / ₄	29 ¹ / ₂	22 ¹³ / ₁₆	75 ⁵ / ₁₆	13	17 ¹¹ / ₁₆	0	22 ⁷ / ₁₆	19 ¹¹ / ₁₆	5 ⁷ / ₈	15 ¹⁵ / ₁₆	2072	441
	100	8	51 ⁹ / ₁₆	15 ³ / ₄	15 ³ / ₄	31 ¹¹ / ₁₆	12	4 ⁵ / ₁₆	3	13 ³ / ₄	23 ¹ / ₄	29 ¹ / ₂	22 ¹³ / ₁₆	83 ⁷ / ₈	13	17 ¹¹ / ₁₆	0	22 ⁷ / ₁₆	19 ¹¹ / ₁₆	5 ⁷ / ₈	15 ¹⁵ / ₁₆	2800	441

Dimensions: mm

Model (Pole)	KW	Pump & Motor																			Weight (Lbs.) †		
		d	A	B1	B2	C	E	F	G	H	I	M	N	P	Q	V	W	X	Y	Z	q	W1	W2
G1102-1180L (6 Poles)	45	200	1250	400	400	805	305	110	80	350	590	750	580	1910	330	450	0	570	500	150	24	940	200
	55	200	1250	400	400	805	305	110	80	350	590	750	580	1910	330	450	0	570	500	150	24	940	200
	75	200	1300	400	400	805	305	110	80	350	590	750	580	2130	330	450	0	570	500	150	24	1270	200

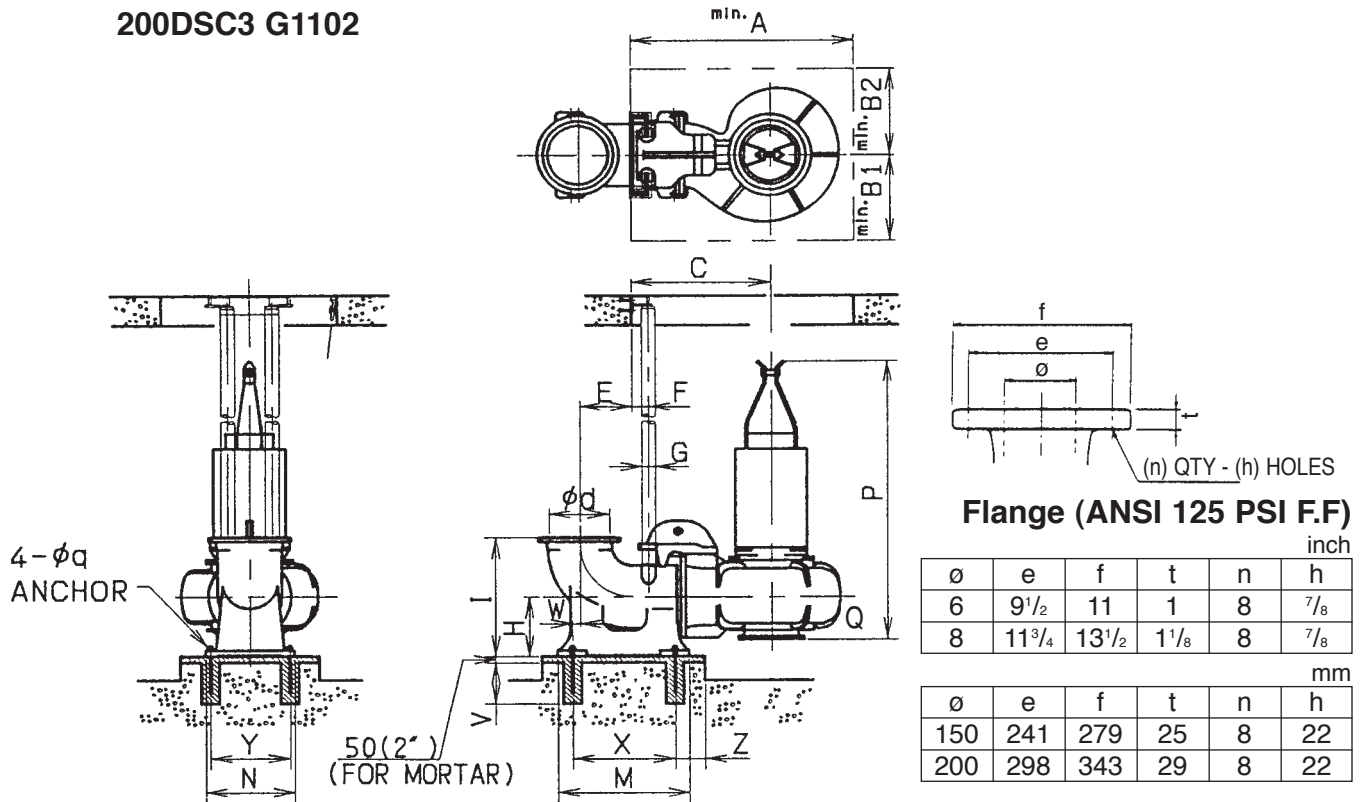
Dimensions are Approximate

† Note: Includes weight of 33 ft. standard length cables.

Dimensions

Project: _____ Model: _____ Chk'd: _____ Date: _____

Model DSC3 with Quick Discharge Connector
150DSC3 G1012
200DSC3 G1102



Dimensions: inch

W1: pump weight
W2: QDC weight

Model (Pole)	HP	Pump & Motor																	Weight (Lbs.) †				
		d	A	B1	B2	C	E	F	G	H	I	M	N	P	Q	V	W	X	Y	Z	q	W1	W2
G1012-1770 (4 Poles)	120	6	45 ¹ / ₄	13 ³ / ₄	13 ³ / ₄	28 ⁵ / ₁₆	7 ⁷ / ₈	4 ⁵ / ₁₆	3	12 ² / ₁₆	19 ¹¹ / ₁₆	24 ³ / ₁₆	20 ⁷ / ₈	91 ¹ / ₈	8 ¹ / ₄	17 ¹¹ / ₁₆	0	17 ¹¹ / ₁₆	17 ¹¹ / ₁₆	5 ⁵ / ₈	1	2740	400
	145	6	45 ¹ / ₄	13 ³ / ₄	13 ³ / ₄	28 ⁵ / ₁₆	7 ⁷ / ₈	4 ⁵ / ₁₆	3	12 ² / ₁₆	19 ¹¹ / ₁₆	24 ³ / ₁₆	20 ⁷ / ₈	91 ¹ / ₈	8 ¹ / ₄	17 ¹¹ / ₁₆	0	17 ¹¹ / ₁₆	17 ¹¹ / ₁₆	5 ⁵ / ₈	1	2850	400
	175	6	45 ¹ / ₄	13 ³ / ₄	13 ³ / ₄	28 ⁵ / ₁₆	7 ⁷ / ₈	4 ⁵ / ₁₆	3	12 ² / ₁₆	19 ¹¹ / ₁₆	24 ³ / ₁₆	20 ⁷ / ₈	91 ¹ / ₈	8 ¹ / ₄	17 ¹¹ / ₁₆	0	17 ¹¹ / ₁₆	17 ¹¹ / ₁₆	5 ⁵ / ₈	1	2940	400
G1102-1780 (4 Poles)	175	8	55 ¹ / ₈	15 ³ / ₄	15 ³ / ₄	36 ¹ / ₄	9 ¹³ / ₁₆	5 ¹ / ₂	4	13 ³ / ₄	23 ¹ / ₄	34 ⁵ / ₈	24 ¹³ / ₁₆	89 ³ / ₄	8 ⁷ / ₈	22 ¹³ / ₁₆	5 ¹ / ₂	27 ⁹ / ₁₆	21 ⁵ / ₈	5 ⁷ / ₈	1 ³ / ₁₆	3197	816
	200	8	57 ¹ / ₁₆	17 ¹¹ / ₁₆	17 ¹¹ / ₁₆	36 ¹ / ₄	9 ¹³ / ₁₆	5 ¹ / ₂	4	13 ³ / ₄	23 ¹ / ₄	34 ⁵ / ₈	24 ¹³ / ₁₆	103 ⁹ / ₁₆	8 ⁷ / ₈	22 ¹³ / ₁₆	5 ¹ / ₂	27 ⁹ / ₁₆	21 ⁵ / ₈	5 ⁷ / ₈	1 ³ / ₁₆	4519	816
	215	8	57 ¹ / ₁₆	17 ¹¹ / ₁₆	17 ¹¹ / ₁₆	36 ¹ / ₄	9 ¹³ / ₁₆	5 ¹ / ₂	4	13 ³ / ₄	23 ¹ / ₄	34 ⁵ / ₈	24 ¹³ / ₁₆	107 ¹ / ₂	8 ⁷ / ₈	22 ¹³ / ₁₆	5 ¹ / ₂	27 ⁹ / ₁₆	21 ⁵ / ₈	5 ⁷ / ₈	1 ³ / ₁₆	4740	816
	245	8	57 ¹ / ₁₆	17 ¹¹ / ₁₆	17 ¹¹ / ₁₆	36 ¹ / ₄	9 ¹³ / ₁₆	5 ¹ / ₂	4	13 ³ / ₄	23 ¹ / ₄	34 ⁵ / ₈	24 ¹³ / ₁₆	107 ¹ / ₂	8 ⁷ / ₈	22 ¹³ / ₁₆	5 ¹ / ₂	27 ⁹ / ₁₆	21 ⁵ / ₈	5 ⁷ / ₈	1 ³ / ₁₆	4982	816
	265	8	57 ¹ / ₁₆	17 ¹¹ / ₁₆	17 ¹¹ / ₁₆	36 ¹ / ₄	9 ¹³ / ₁₆	5 ¹ / ₂	4	13 ³ / ₄	23 ¹ / ₄	34 ⁵ / ₈	24 ¹³ / ₁₆	107 ¹ / ₂	8 ⁷ / ₈	22 ¹³ / ₁₆	5 ¹ / ₂	27 ⁹ / ₁₆	21 ⁵ / ₈	5 ⁷ / ₈	1 ³ / ₁₆	5115	816
295	8	57 ¹ / ₁₆	17 ¹¹ / ₁₆	17 ¹¹ / ₁₆	36 ¹ / ₄	9 ¹³ / ₁₆	5 ¹ / ₂	4	13 ³ / ₄	23 ¹ / ₄	34 ⁵ / ₈	24 ¹³ / ₁₆	107 ¹ / ₂	8 ⁷ / ₈	22 ¹³ / ₁₆	5 ¹ / ₂	27 ⁹ / ₁₆	21 ⁵ / ₈	5 ⁷ / ₈	1 ³ / ₁₆	5225	816	

Dimensions: mm

Model (Pole)	KW	Pump & Motor																	Weight (kg) †				
		d	A	B1	B2	C	E	F	G	H	I	M	N	P	Q	V	W	X	Y	Z	q	W1	W2
G1012-1770 (4 Poles)	90	150	1150	350	350	735	200	110	80	310	500	630	530	2315	210	450	0	450	450	150	24	1240	180
	110	150	1150	350	350	735	200	110	80	310	500	630	530	2315	210	450	0	450	450	150	24	1290	180
	132	150	1150	350	350	735	200	110	80	310	500	630	530	2315	210	450	0	450	450	150	24	1330	180
G1102-1780 (4 Poles)	132	200	1400	400	400	920	250	140	100	350	590	880	630	2280	225	580	140	700	550	150	30	1450	370
	150	200	1450	450	450	920	250	140	100	350	590	880	630	2630	225	580	140	700	550	150	30	2050	370
	160	200	1450	450	450	920	250	140	100	350	590	880	630	2730	225	580	140	700	550	150	30	2150	370
	185	200	1450	450	450	920	250	140	100	350	590	880	630	2730	225	580	140	700	550	150	30	2260	370
	200	200	1450	450	450	920	250	140	100	350	590	880	630	2730	225	580	140	700	550	150	30	2320	370
220	200	1450	450	450	920	250	140	100	350	590	880	630	2730	225	580	140	700	550	150	30	2370	370	

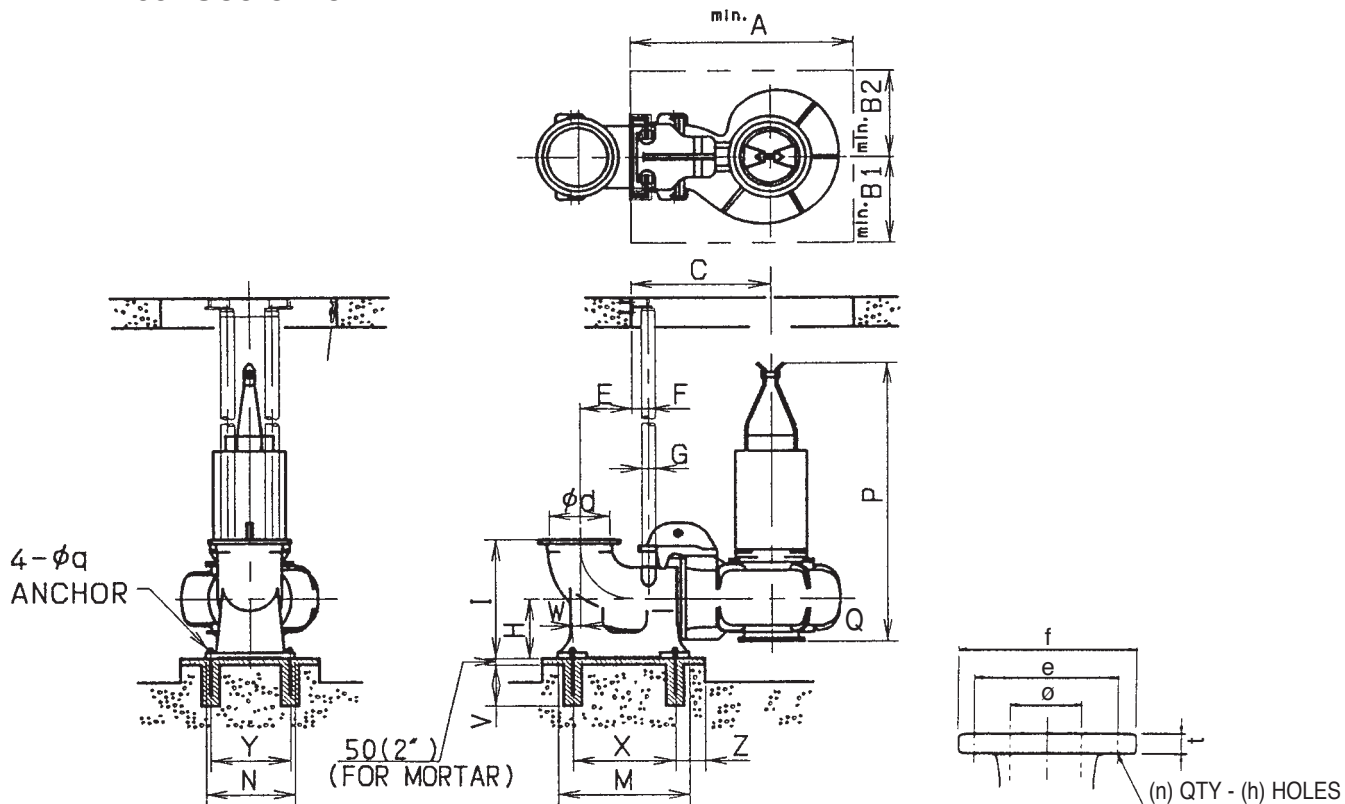
Dimensions are Approximate

† Note: Includes weight of 33 ft. standard length cables.

Dimensions

Project: _____ Model: _____ Chk'd: _____ Date: _____

Model DSC3 with Quick Discharge Connector
200DSC3 G1232



Flange (ANSI 125 PSI F.F)
inch

ø	e	f	t	n	h
8	11 ³ / ₄	13 ¹ / ₂	1 ¹ / ₈	8	7 ⁷ / ₈

ø	e	f	t	n	h
200	298	343	29	8	22

W1: pump weight
W2: QDC weight

Dimensions: inch

Model (Pole)	HP	Pump & Motor																			Weight (Lbs.) †		
		d	A	B1	B2	C	E	F	G	H	I	M	N	P	Q	V	W	X	Y	Z	q	W1	W2
G1232-1180L (6 Poles)	100	8	53 ¹ / ₈	16 ¹⁵ / ₁₆	16 ⁹ / ₁₆	33 ¹ / ₄	12	4 ⁵ / ₁₆	3	13 ³ / ₄	23 ¹ / ₄	29 ¹ / ₂	22 ¹³ / ₁₆	85 ⁵ / ₁₆	13	17 ¹¹ / ₁₆	0	22 ⁷ / ₁₆	19 ¹¹ / ₁₆	5 ⁷ / ₈	15 ¹⁵ / ₁₆	3064	1808
	120	8	53 ¹ / ₈	16 ¹⁵ / ₁₆	16 ⁹ / ₁₆	33 ¹ / ₄	12	4 ⁵ / ₁₆	3	13 ³ / ₄	23 ¹ / ₄	29 ¹ / ₂	22 ¹³ / ₁₆	85 ⁵ / ₁₆	13	17 ¹¹ / ₁₆	0	22 ⁷ / ₁₆	19 ¹¹ / ₁₆	5 ⁷ / ₈	15 ¹⁵ / ₁₆	3153	1808
	145	8	53 ¹ / ₈	16 ¹⁵ / ₁₆	16 ⁹ / ₁₆	33 ¹ / ₄	12	4 ⁵ / ₁₆	3	13 ³ / ₄	23 ¹ / ₄	29 ¹ / ₂	22 ¹³ / ₁₆	91 ⁹ / ₁₆	13	17 ¹¹ / ₁₆	0	22 ⁷ / ₁₆	19 ¹¹ / ₁₆	5 ⁷ / ₈	15 ¹⁵ / ₁₆	3285	1808

Dimensions: mm

Model (Pole)	KW	Pump & Motor																			Weight (Lbs.) †		
		d	A	B1	B2	C	E	F	G	H	I	M	N	P	Q	V	W	X	Y	Z	q	W1	W2
G1232-1180L (6 Poles)	75	200	1350	430	420	845	305	110	80	350	590	750	580	2170	330	450	0	570	500	150	24	1390	200
	90	200	1350	430	420	845	305	110	80	350	590	750	580	2170	330	450	0	570	500	150	24	1430	200
	110	200	1350	430	420	845	305	110	80	350	590	750	580	2320	330	450	0	570	500	150	24	1490	200

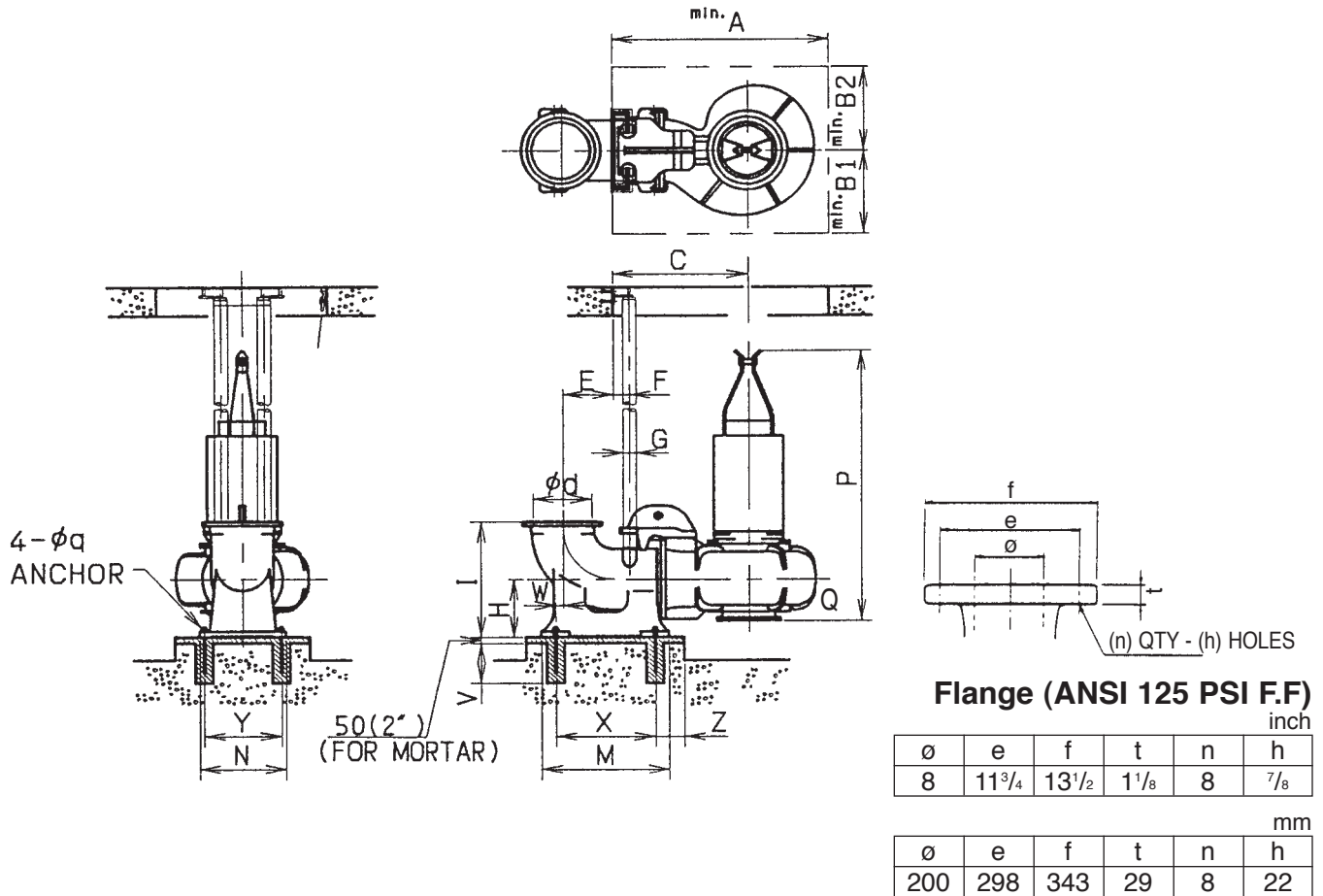
Dimensions are Approximate

† Note: Includes weight of 33 ft. standard length cables.

Dimensions

Project: _____ Model: _____ Chk'd: _____ Date: _____

Model DSC3 with Quick Discharge Connector
200DSC3 G1232



Dimensions: inch

W1: pump weight
W2: QDC weight

Model (Pole)	HP	Pump & Motor																			Weight (Lbs.) †		
		d	A	B1	B2	C	E	F	G	H	I	M	N	P	Q	V	W	X	Y	Z	q	W1	W2
G1232-1780 (4 Poles)	295	8	59 ¹ / ₁₆	17 ¹¹ / ₁₆	17 ¹¹ / ₁₆	38 ³ / ₁₆	9 ¹³ / ₁₆	5 ¹ / ₂	4	13 ³ / ₄	23 ¹ / ₄	34 ⁵ / ₈	24 ¹³ / ₁₆	108 ¹¹ / ₁₆	10 ¹ / ₁₆	22 ¹³ / ₁₆	5 ¹ / ₂	27 ⁹ / ₁₆	21 ⁵ / ₈	5 ⁷ / ₈	1 ³ / ₁₆	5489	816
	335	Contact EBARA																					
	375																						
	422																						
	475																						

Dimensions: mm

Model (Pole)	KW	Pump & Motor																			Weight (kg) †		
		d	A	B1	B2	C	E	F	G	H	I	M	N	P	Q	V	W	X	Y	Z	q	W1	W2
G1232-1780 (4 Poles)	220	200	1500	450	450	970	250	140	100	350	590	880	630	2760	255	580	140	700	550	150	30	2490	370
	250	Contact EBARA																					
	280																						
	315																						
	355																						

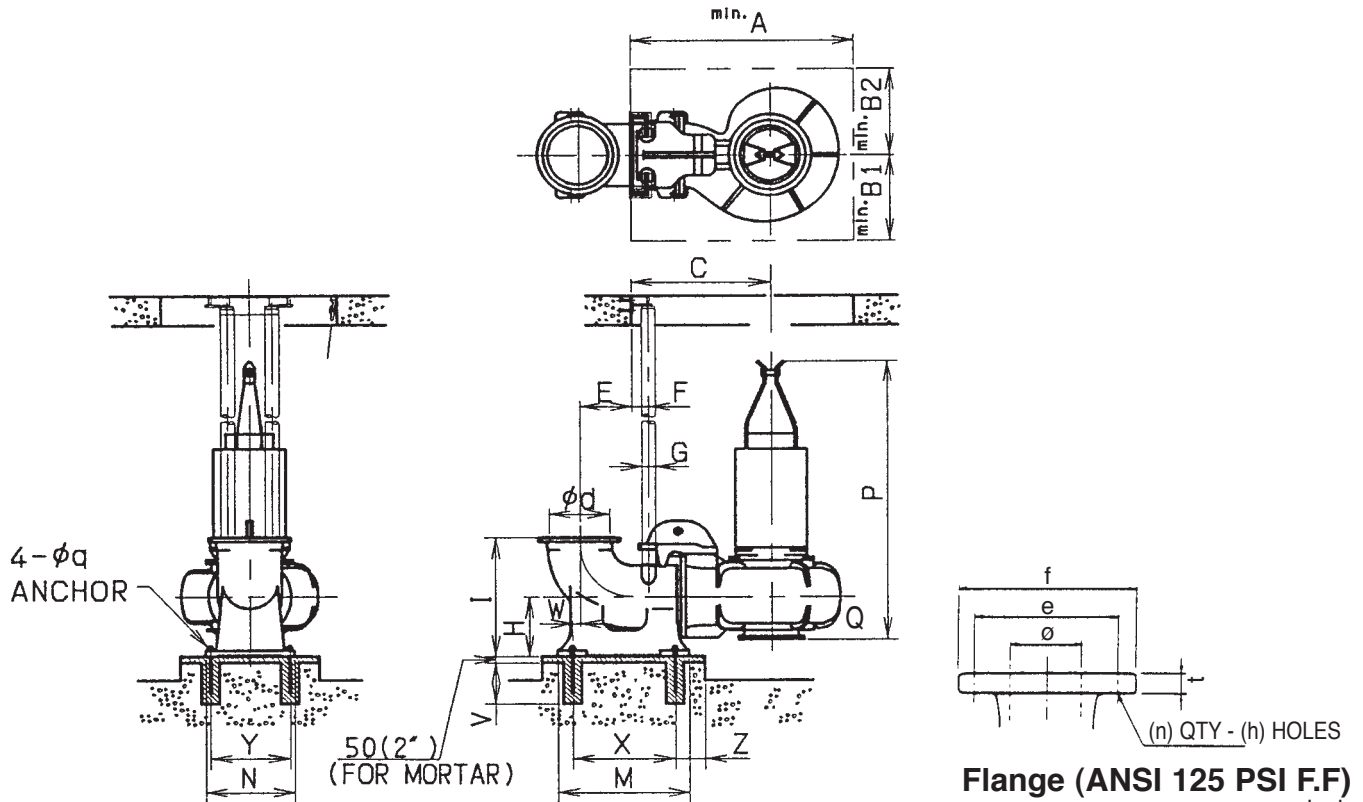
Dimensions are Approximate

† Note: Includes weight of 33 ft. standard length cables.

Dimensions

Project: _____ Model: _____ Chk'd: _____ Date: _____

Model DSC3 with Quick Discharge Connector
200DSC3 G1233



Flange (ANSI 125 PSI F.F)

inch	ø	e	f	t	n	h
	8	11 ³ / ₄	11 ¹ / ₂	1 ¹ / ₈	8	7 ⁷ / ₈

mm	ø	e	f	t	n	h
	200	298	343	29	8	22

Dimensions: inch

W1: pump weight
W2: QDC weight

Model (Pole)	HP	Pump & Motor																			Weight (Lbs.) †		
		d	A	B1	B2	C	E	F	G	H	I	M	N	P	Q	V	W	X	Y	Z	q	W1	W2
G1233-1180L (6 Poles)	120	8	53 ¹ / ₈	16 ¹⁵ / ₁₆	16 ⁶ / ₁₆	33 ³ / ₄	12	4 ⁵ / ₁₆	3	13 ⁹ / ₁₆	23 ³ / ₁₆	29 ¹ / ₂	22 ¹³ / ₁₆	85 ⁷ / ₁₆	13	17 ¹¹ / ₁₆	0	22 ² / ₁₆	19 ¹¹ / ₁₆	5 ⁷ / ₈	1 ¹⁵ / ₁₆	3153	441
	145	8	53 ¹ / ₈	16 ¹⁵ / ₁₆	16 ⁶ / ₁₆	33 ³ / ₄	12	4 ⁵ / ₁₆	3	13 ⁹ / ₁₆	23 ³ / ₁₆	29 ¹ / ₂	22 ¹³ / ₁₆	91 ⁹ / ₁₆	13	17 ¹¹ / ₁₆	0	22 ² / ₁₆	19 ¹¹ / ₁₆	5 ⁷ / ₈	1 ¹⁵ / ₁₆	3285	441
	175	8	59 ¹ / ₁₆	17 ¹¹ / ₁₆	17 ¹¹ / ₁₆	38 ⁹ / ₁₆	9 ¹³ / ₁₆	5 ¹ / ₂	4	13 ⁹ / ₁₆	23 ³ / ₁₆	34 ¹¹ / ₁₆	24 ¹³ / ₁₆	104 ³ / ₄	13	22 ¹³ / ₁₆	5 ¹ / ₂	27 ⁹ / ₁₆	21 ¹¹ / ₁₆	5 ⁷ / ₈	1 ³ / ₁₆	4586	816
	200	8	59 ¹ / ₁₆	17 ¹¹ / ₁₆	17 ¹¹ / ₁₆	38 ⁹ / ₁₆	9 ¹³ / ₁₆	5 ¹ / ₂	4	13 ⁹ / ₁₆	23 ³ / ₁₆	34 ¹¹ / ₁₆	24 ¹³ / ₁₆	104 ³ / ₄	13	22 ¹³ / ₁₆	5 ¹ / ₂	27 ⁹ / ₁₆	21 ¹¹ / ₁₆	5 ⁷ / ₈	1 ³ / ₁₆	4718	816

Dimensions: mm

Model (Pole)	KW	Pump & Motor																			Weight (Lbs.) †		
		d	A	B1	B2	C	E	F	G	H	I	M	N	P	Q	V	W	X	Y	Z	q	W1	W2
G1233-1180L (6 Poles)	90	200	1350	430	420	845	305	110	80	350	590	750	580	2170	330	450	0	570	500	150	24	1430	200
	110	200	1350	430	420	845	305	110	80	350	590	750	580	2320	330	450	0	570	500	150	24	1490	200
	132	200	1500	450	450	970	250	140	100	350	590	880	630	2660	330	580	140	700	550	150	30	2080	370
	150	200	1500	450	450	970	250	140	100	350	590	880	630	2660	330	580	140	700	550	150	30	2140	370

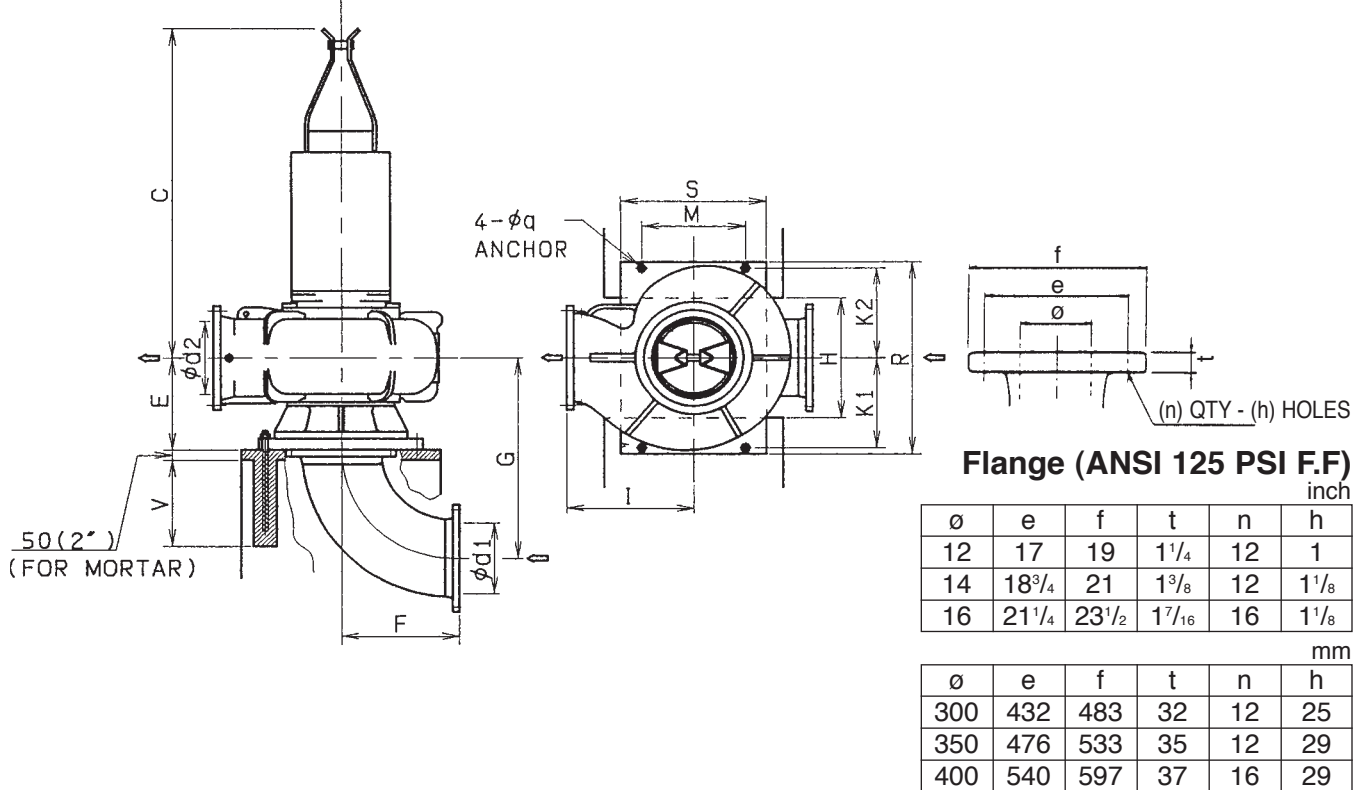
Dimensions are Approximate

† Note: Includes weight of 33 ft. standard length cables.

Dimensions

Project: _____ Model: _____ Chk'd: _____ Date: _____

Model DSCA3 Drypit Application
350x300DSCA3 C1103
400x300DSCA3 C1103



W1: pump weight
W2: suction elbow weight
W3: water in pump

Dimensions: inch

Model (Pole)	HP	Pump & Motor														Weight (Lbs.) †			
		d1	d2	C	E	F	G	H	I	K1	K2	M	R	S	V	q	W1	W2	W3
C1103-1760 (4 Poles)	50	14	12	61 ¹³ / ₁₆	17 ¹⁵ / ₁₆	24 ⁷ / ₁₆	38 ⁹ / ₁₆	25 ³ / ₁₆	18 ¹ / ₂	17 ¹¹ / ₁₆	17 ¹¹ / ₁₆	29 ¹ / ₈	37 ¹³ / ₁₆	31 ¹ / ₂	17 ¹¹ / ₁₆	15 ¹⁵ / ₁₆	2646	419	463
	60	14	12	61 ¹³ / ₁₆	17 ¹⁵ / ₁₆	24 ⁷ / ₁₆	38 ⁹ / ₁₆	25 ³ / ₁₆	18 ¹ / ₂	17 ¹¹ / ₁₆	17 ¹¹ / ₁₆	29 ¹ / ₈	37 ¹³ / ₁₆	31 ¹ / ₂	17 ¹¹ / ₁₆	15 ¹⁵ / ₁₆	2690	419	463
	75	14	12	61 ¹³ / ₁₆	17 ¹⁵ / ₁₆	24 ⁷ / ₁₆	38 ⁹ / ₁₆	25 ³ / ₁₆	18 ¹ / ₂	17 ¹¹ / ₁₆	17 ¹¹ / ₁₆	29 ¹ / ₈	37 ¹³ / ₁₆	31 ¹ / ₂	17 ¹¹ / ₁₆	15 ¹⁵ / ₁₆	2734	419	463
C1203-1770 (4 Poles)	75	16	12	62 ⁵ / ₈	19 ⁵ / ₁₆	25 ³ / ₁₆	42 ¹⁵ / ₁₆	26 ³ / ₄	20 ¹ / ₁₆	19 ¹¹ / ₁₆	19 ¹¹ / ₁₆	31 ¹ / ₈	41 ³ / ₄	33 ⁷ / ₁₆	17 ¹¹ / ₁₆	15 ¹⁵ / ₁₆	3064	507	617
	100	16	12	66 ⁹ / ₁₆	19 ⁵ / ₁₆	25 ³ / ₁₆	42 ¹⁵ / ₁₆	26 ³ / ₄	20 ¹ / ₁₆	19 ¹¹ / ₁₆	19 ¹¹ / ₁₆	31 ¹ / ₈	41 ³ / ₄	33 ⁷ / ₁₆	17 ¹¹ / ₁₆	15 ¹⁵ / ₁₆	3197	507	617
	120	16	12	81 ¹ / ₂	19 ⁵ / ₁₆	25 ³ / ₁₆	42 ¹⁵ / ₁₆	26 ³ / ₄	20 ¹ / ₁₆	19 ¹¹ / ₁₆	19 ¹¹ / ₁₆	31 ¹ / ₈	41 ³ / ₄	33 ⁷ / ₁₆	17 ¹¹ / ₁₆	15 ¹⁵ / ₁₆	3968	507	617

Dimensions: mm

Model (Pole)	KW	Pump & Motor														Weight (kgf) †			
		d1	d2	C	E	F	G	H	I	K1	K2	M	R	S	V	q	W1	W2	W3
C1103-1760 (4 Poles)	37	350	300	1570	455	620	980	640	470	450	450	740	960	800	450	24	1200	190	210
	45	350	300	1570	455	620	980	640	470	450	450	740	960	800	450	24	1220	190	210
	55	350	300	1570	455	620	980	640	470	450	450	740	960	800	450	24	1240	190	210
C1203-1770 (4 Poles)	55	400	300	1590	490	640	1090	680	510	500	500	790	1060	850	450	24	1390	230	280
	75	400	300	1690	490	640	1090	680	510	500	500	790	1060	850	450	24	1450	230	280
	90	400	300	2070	490	640	1090	680	510	500	500	790	1060	850	450	24	1800	230	280

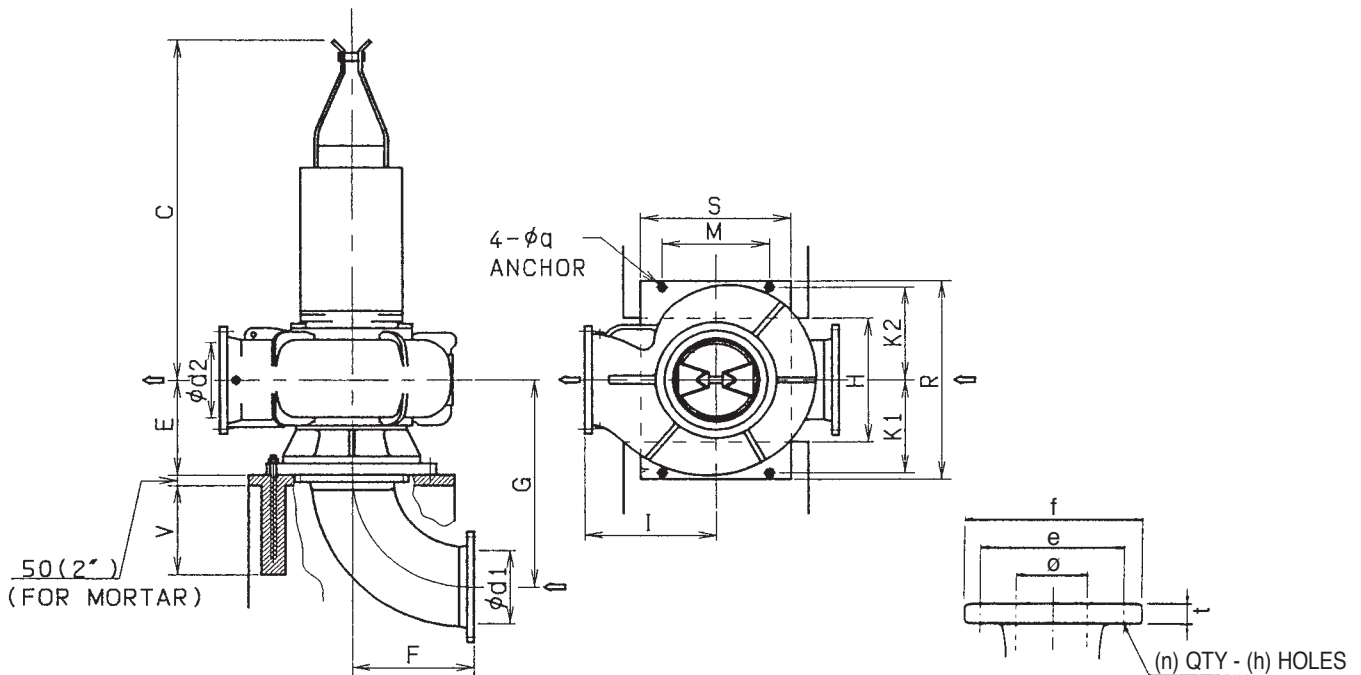
Dimensions are Approximate

† Note: Includes weight of 33 ft. standard length cables.

Dimensions

Project: _____ Model: _____ Chk'd: _____ Date: _____

Model DSCA3 Drypit Application
400x350DSCA3 C1463



Flange (ANSI 125 PSI F.F)

inch					
ø	e	f	t	n	h
14	18 ³ / ₄	21	1 ³ / ₈	12	1 ¹ / ₈
16	21 ¹ / ₄	23 ¹ / ₂	1 ⁷ / ₁₆	16	1 ¹ / ₈

mm					
ø	e	f	t	n	h
350	476	533	35	12	29
400	540	597	37	16	29

W1: pump weight
 W2: suction elbow weight
 W3: water in pump

Dimensions: inch

Model (Pole)	HP	Pump & Motor														Weight (Lbs.) †			
		d1	d2	C	E	F	G	H	I	K1	K2	M	R	S	V	q	W1	W2	W3
C1463-880 (8 Poles)	30	16	14	63 ³ / ₄	21 ⁵ / ₈	25 ³ / ₁₆	45 ¹ / ₄	26 ³ / ₄	24 ⁷ / ₁₆	19 ¹¹ / ₁₆	19 ¹¹ / ₁₆	31 ¹ / ₈	41 ³ / ₄	33 ⁷ / ₁₆	17 ¹¹ / ₁₆	15 ¹⁵ / ₁₆	3616	507	882
	40	16	14	67 ¹¹ / ₁₆	21 ⁵ / ₈	25 ³ / ₁₆	45 ¹ / ₄	26 ³ / ₄	24 ⁷ / ₁₆	19 ¹¹ / ₁₆	19 ¹¹ / ₁₆	31 ¹ / ₈	41 ³ / ₄	33 ⁷ / ₁₆	17 ¹¹ / ₁₆	15 ¹⁵ / ₁₆	3682	507	882
	50	16	14	67 ¹¹ / ₁₆	21 ⁵ / ₈	25 ³ / ₁₆	45 ¹ / ₄	26 ³ / ₄	24 ⁷ / ₁₆	19 ¹¹ / ₁₆	19 ¹¹ / ₁₆	31 ¹ / ₈	41 ³ / ₄	33 ⁷ / ₁₆	17 ¹¹ / ₁₆	15 ¹⁵ / ₁₆	3726	507	882

Dimensions: mm

Model (Pole)	KW	Pump & Motor														Weight (kgf) †			
		d1	d2	C	E	F	G	H	I	K1	K2	M	R	S	V	q	W1	W2	W3
C1463-880 (8 Poles)	22	400	350	1620	550	640	1150	600	620	500	500	790	1060	850	450	24	1640	230	400
	30	400	350	1720	550	640	1150	600	620	500	500	790	1060	850	450	24	1670	230	400
	37	400	350	1720	550	640	1150	600	620	500	500	790	1060	850	450	24	1690	230	400

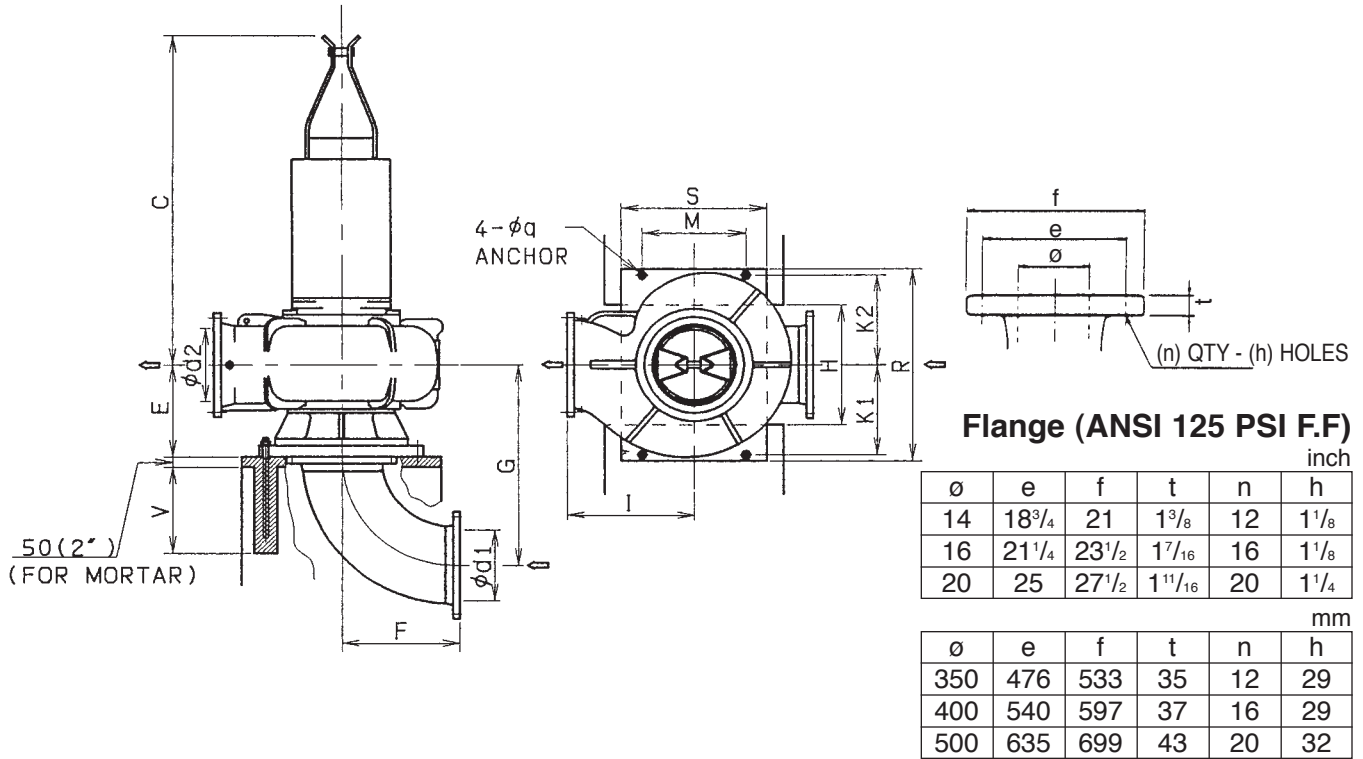
Dimensions are Approximate

† Note: Includes weight of 33 ft. standard length cables.

Dimensions

Project: _____ Model: _____ Chk'd: _____ Date: _____

Model DSCA3 Drypit Application
400x350DSCA3 C1463
500x400DSCA3 C1583



W1: pump weight
W2: suction elbow weight
W3: water in pump

Dimensions: inch

Model (Pole)	HP	Pump & Motor														Weight (Lbs.) †			
		d1	d2	C	E	F	G	H	I	K1	K2	M	R	S	V	q	W1	W2	W3
C1463-1170 (6 Poles)	60	16	14	67 ¹¹ / ₁₆	21 ⁵ / ₈	25 ³ / ₁₆	45 ¹ / ₄	26 ³ / ₄	24 ⁷ / ₁₆	19 ¹¹ / ₁₆	19 ¹¹ / ₁₆	31 ¹ / ₈	41 ³ / ₄	33 ⁷ / ₁₆	17 ¹¹ / ₁₆	15 ⁵ / ₁₆	3704	507	882
	75	16	14	67 ¹¹ / ₁₆	21 ⁵ / ₈	25 ³ / ₁₆	45 ¹ / ₄	26 ³ / ₄	24 ⁷ / ₁₆	19 ¹¹ / ₁₆	19 ¹¹ / ₁₆	31 ¹ / ₈	41 ³ / ₄	33 ⁷ / ₁₆	17 ¹¹ / ₁₆	15 ⁵ / ₁₆	3704	507	882
	100	16	14	75 ⁹ / ₁₆	21 ⁵ / ₈	25 ³ / ₁₆	45 ¹ / ₄	26 ³ / ₄	24 ⁷ / ₁₆	19 ¹¹ / ₁₆	19 ¹¹ / ₁₆	31 ¹ / ₈	41 ³ / ₄	33 ⁷ / ₁₆	17 ¹¹ / ₁₆	15 ⁵ / ₁₆	4409	507	882
C1583-880 (8 Poles)	40	20	16	68 ¹ / ₈	22 ⁷ / ₁₆	29 ¹ / ₂	51 ¹⁵ / ₁₆	31 ¹ / ₂	26 ³ / ₈	21 ⁵ / ₈	21 ⁵ / ₈	34 ⁵ / ₈	46 ¹ / ₁₆	37 ³ / ₈	22 ³ / ₁₆	1 ³ / ₁₆	4123	882	1301
	50	20	16	68 ¹ / ₈	22 ⁷ / ₁₆	29 ¹ / ₂	51 ¹⁵ / ₁₆	31 ¹ / ₂	26 ³ / ₈	21 ⁵ / ₈	21 ⁵ / ₈	34 ⁵ / ₈	46 ¹ / ₁₆	37 ³ / ₈	22 ³ / ₁₆	1 ³ / ₁₆	4167	882	1301
	60	20	16	76	22 ⁷ / ₁₆	29 ¹ / ₂	51 ¹⁵ / ₁₆	31 ¹ / ₂	26 ³ / ₈	21 ⁵ / ₈	21 ⁵ / ₈	34 ⁵ / ₈	46 ¹ / ₁₆	37 ³ / ₈	22 ³ / ₁₆	1 ³ / ₁₆	4850	882	1301

Dimensions: mm

Model (Pole)	KW	Pump & Motor														Weight (kg) †			
		d1	d2	C	E	F	G	H	I	K1	K2	M	R	S	V	q	W1	W2	W3
C1463-1170 (6 Poles)	45	400	350	1720	550	640	1150	680	620	500	500	790	1060	850	450	24	1680	230	400
	55	400	350	1720	550	640	1150	680	620	500	500	790	1060	850	450	24	1680	230	400
	75	400	350	1920	550	640	1150	680	620	500	500	790	1060	850	450	24	2000	230	400
C1583-880 (8 Poles)	30	500	400	1730	570	750	1320	800	670	550	550	880	1170	950	580	30	1870	400	590
	37	500	400	1730	570	750	1320	800	670	550	550	880	1170	950	580	30	1890	400	590
	45	500	400	1930	570	750	1320	800	670	550	550	880	1170	950	580	30	2200	400	590

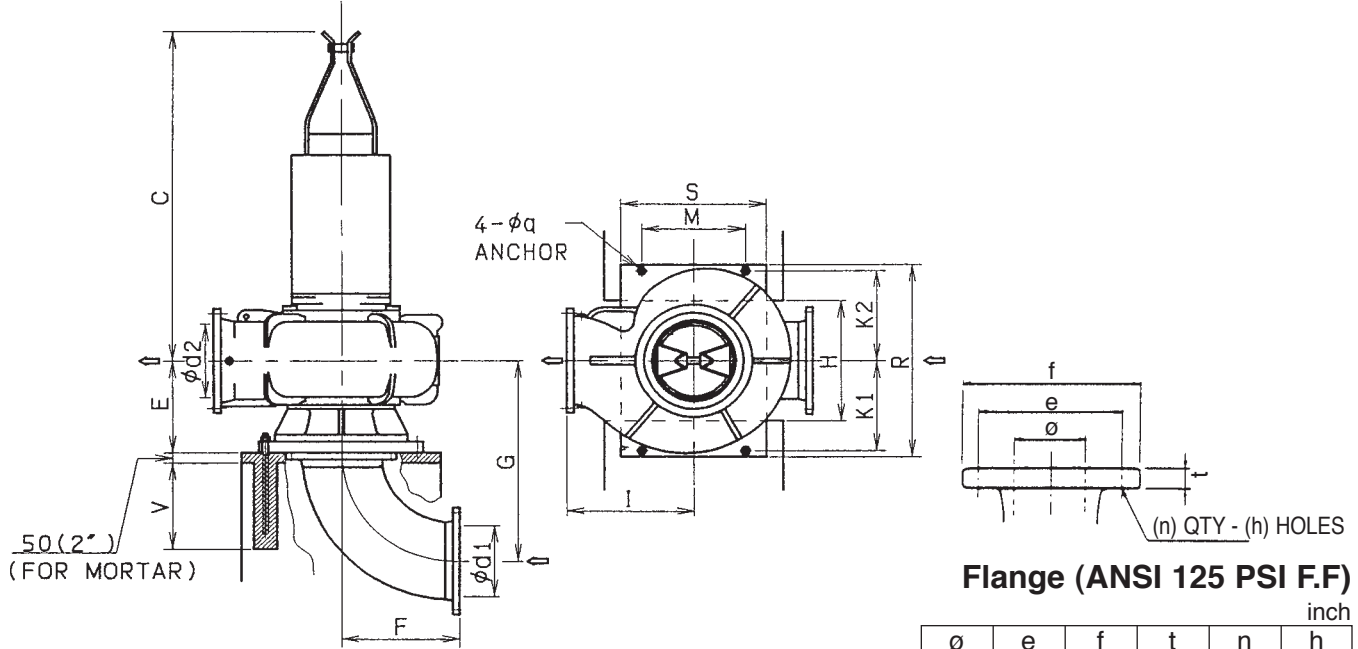
Dimensions are Approximate

† Note: Includes weight of 33 ft. standard length cables.

Dimensions

Project: _____ Model: _____ Chk'd: _____ Date: _____

Model DSCA3 Drypit Application
500x400DSCA3 C1583
500x400DSCA3 C1793



Flange (ANSI 125 PSI F.F)

inch					
ø	e	f	t	n	h
16	21 ¹ / ₄	23 ¹ / ₂	1 ⁷ / ₁₆	16	1 ¹ / ₈
20	25	27 ¹ / ₂	1 ¹¹ / ₁₆	20	1 ¹ / ₄

mm					
ø	e	f	t	n	h
400	540	597	37	16	29
500	635	699	43	20	32

W1: pump weight
W2: suction elbow weight
W3: water in pump

Dimensions: inch

Model (Pole)	HP	Pump & Motor														Weight (Lbs.) †			
		d1	d2	C	E	F	G	H	I	K1	K2	M	R	S	V	q	W1	W2	W3
C1583-1175 (6 Poles)	100	20	16	76	22 ⁷ / ₁₆	29 ¹ / ₂	51 ¹⁵ / ₁₆	31 ¹ / ₂	26 ³ / ₈	21 ⁵ / ₈	21 ⁵ / ₈	34 ⁵ / ₈	46 ¹ / ₁₆	37 ³ / ₈	22 ¹³ / ₁₆	1 ³ / ₁₆	4850	882	1301
	120	20	16	76	22 ⁷ / ₁₆	29 ¹ / ₂	51 ¹⁵ / ₁₆	31 ¹ / ₂	26 ³ / ₈	21 ⁵ / ₈	21 ⁵ / ₈	34 ⁵ / ₈	46 ¹ / ₁₆	37 ³ / ₈	22 ¹³ / ₁₆	1 ³ / ₁₆	4938	882	1301
	145	20	16	81 ⁷ / ₈	22 ⁷ / ₁₆	29 ¹ / ₂	51 ¹⁵ / ₁₆	31 ¹ / ₂	26 ³ / ₈	21 ⁵ / ₈	21 ⁵ / ₈	34 ⁵ / ₈	46 ¹ / ₁₆	37 ³ / ₈	22 ¹³ / ₁₆	1 ³ / ₁₆	5071	882	1301
C1793-885 (8 Poles)	75	20	16	76 ³ / ₈	24	29 ¹ / ₂	53 ⁹ / ₁₆	31 ¹ / ₂	29 ¹⁵ / ₁₆	21 ⁵ / ₈	21 ⁵ / ₈	34 ⁵ / ₈	46 ¹ / ₁₆	37 ³ / ₈	22 ¹³ / ₁₆	1 ³ / ₁₆	5556	882	1631
	100	20	16	82 ⁵ / ₁₆	24	29 ¹ / ₂	53 ⁹ / ₁₆	31 ¹ / ₂	29 ¹⁵ / ₁₆	21 ⁵ / ₈	21 ⁵ / ₈	34 ⁵ / ₈	46 ¹ / ₁₆	37 ³ / ₈	22 ¹³ / ₁₆	1 ³ / ₁₆	5842	882	1631

Dimensions: mm

Model (Pole)	KW	Pump & Motor														Weight (kg) †			
		d1	d2	C	E	F	G	H	I	K1	K2	M	R	S	V	q	W1	W2	W3
C1583-1175 (6 Poles)	75	500	400	1930	570	750	1320	800	670	550	550	880	1170	950	580	30	2200	400	590
	90	500	400	1930	570	750	1320	800	670	550	550	880	1170	950	580	30	2240	400	590
	110	500	400	2080	570	750	1320	800	670	550	550	880	1170	950	580	30	2300	400	590
C1793-885 (8 Poles)	55	500	400	1940	610	750	1360	800	760	550	550	880	1170	950	580	30	2520	400	740
	75	500	400	2090	610	750	1360	800	760	550	550	880	1170	950	580	30	2650	400	740

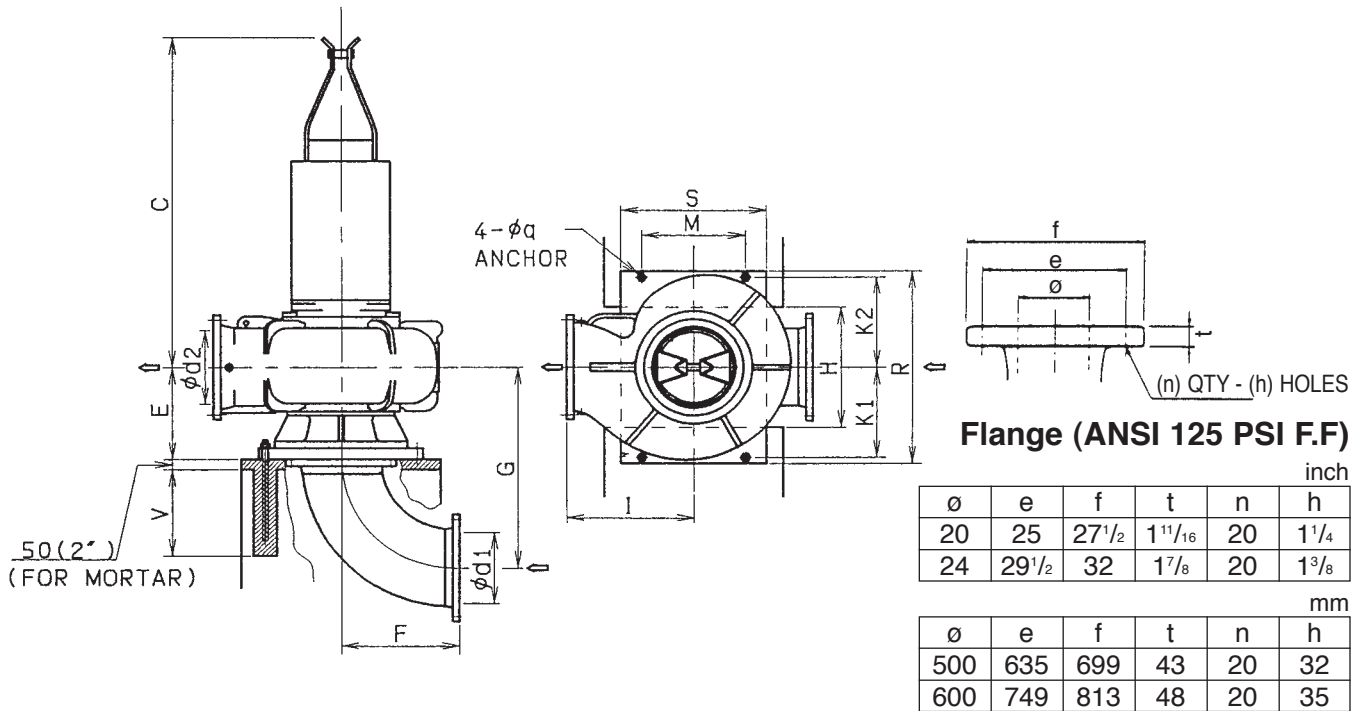
Dimensions are Approximate

† Note: Includes weight of 33 ft. standard length cables.

Dimensions

Project: _____ Model: _____ Chk'd: _____ Date: _____

Model DSCA3 Drypit Application
600x500DSCA3 C1943



W1: pump weight
W2: suction elbow weight
W3: water in pump

Dimensions: inch

Model (Pole)	HP	Pump & Motor														Weight (Lbs.) †1			
		d1	d2	C	E	F	G	H	I	K1	K2	M	R	S	V	q	W1	W2	W3
C1943-710 (10 Poles)	50	24	20	77 ⁹ / ₁₆	28 ³ / ₈	35 ⁷ / ₁₆	63 ³ / ₄	36 ¹ / ₄	32 ¹ / ₂	24 ¹³ / ₁₆	24 ¹³ / ₁₆	40 ⁹ / ₁₆	52 ³ / ₈	43 ³ / ₁₆	22 ¹³ / ₁₆	1 ³ / ₁₆	6658	1235	2337
	60	24	20	83 ⁷ / ₁₆	28 ³ / ₈	35 ⁷ / ₁₆	63 ³ / ₄	36 ¹ / ₄	32 ¹ / ₂	24 ¹³ / ₁₆	24 ¹³ / ₁₆	40 ⁹ / ₁₆	52 ³ / ₈	43 ³ / ₁₆	22 ¹³ / ₁₆	1 ³ / ₁₆	6856	1235	2337
	75	24	20	83 ⁷ / ₁₆	28 ³ / ₈	35 ⁷ / ₁₆	63 ³ / ₄	36 ¹ / ₄	32 ¹ / ₂	24 ¹³ / ₁₆	24 ¹³ / ₁₆	40 ⁹ / ₁₆	52 ³ / ₈	43 ³ / ₁₆	22 ¹³ / ₁₆	1 ³ / ₁₆	6944	1235	2337
	100	24	20	96 ⁷ / ₈	28 ³ / ₈	35 ⁷ / ₁₆	63 ³ / ₄	36 ¹ / ₄	32 ¹ / ₂	24 ¹³ / ₁₆	24 ¹³ / ₁₆	40 ⁹ / ₁₆	52 ³ / ₈	43 ³ / ₁₆	22 ¹³ / ₁₆	1 ³ / ₁₆	8245	1235	2337
C1943-885 (8 Poles)	100	24	20	83 ⁷ / ₁₆	28 ³ / ₈	35 ⁷ / ₁₆	63 ³ / ₄	36 ¹ / ₄	32 ¹ / ₂	24 ¹³ / ₁₆	24 ¹³ / ₁₆	40 ⁹ / ₁₆	52 ³ / ₈	43 ³ / ₁₆	22 ¹³ / ₁₆	1 ³ / ₁₆	6944	1235	2337
	120	24	20	96 ⁷ / ₈	28 ³ / ₈	35 ⁷ / ₁₆	63 ³ / ₄	36 ¹ / ₄	32 ¹ / ₂	24 ¹³ / ₁₆	24 ¹³ / ₁₆	40 ⁹ / ₁₆	52 ³ / ₈	43 ³ / ₁₆	22 ¹³ / ₁₆	1 ³ / ₁₆	8113	1235	2337
	145	24	20	96 ⁷ / ₈	28 ³ / ₈	35 ⁷ / ₁₆	63 ³ / ₄	36 ¹ / ₄	32 ¹ / ₂	24 ¹³ / ₁₆	24 ¹³ / ₁₆	40 ⁹ / ₁₆	52 ³ / ₈	43 ³ / ₁₆	22 ¹³ / ₁₆	1 ³ / ₁₆	8245	1235	2337
	175	24	20	96 ⁷ / ₈	28 ³ / ₈	35 ⁷ / ₁₆	63 ³ / ₄	36 ¹ / ₄	32 ¹ / ₂	24 ¹³ / ₁₆	24 ¹³ / ₁₆	40 ⁹ / ₁₆	52 ³ / ₈	43 ³ / ₁₆	22 ¹³ / ₁₆	1 ³ / ₁₆	8355	1235	2337

Dimensions: mm

Model (Pole)	KW	Pump & Motor														Weight (kg) †1			
		d1	d2	C	E	F	G	H	I	K1	K2	M	R	S	V	q	W1	W2	W3
C1943-710 (10 Poles)	37	600	500	1970	720	900	1620	920	825	630	630	1030	1330	1100	580	30	3020	560	1060
	45	600	500	2120	720	900	1620	920	825	630	630	1030	1330	1100	580	30	3110	560	1060
	55	600	500	2120	720	900	1620	920	825	630	630	1030	1330	1100	580	30	3150	560	1060
	75	600	500	2460	720	900	1620	920	825	630	630	1030	1330	1100	580	30	3740	560	1060
C1943-885 (8 Poles)	75	600	500	2120	720	900	1620	920	825	630	630	1030	1330	1100	580	30	3150	560	1060
	90	600	500	2460	720	900	1620	920	825	630	630	1030	1330	1100	580	30	3680	560	1060
	110	600	500	2460	720	900	1620	920	825	630	630	1030	1330	1100	580	30	3740	560	1060
	132	600	500	2460	720	900	1620	920	825	630	630	1030	1330	1100	580	30	3790	560	1060

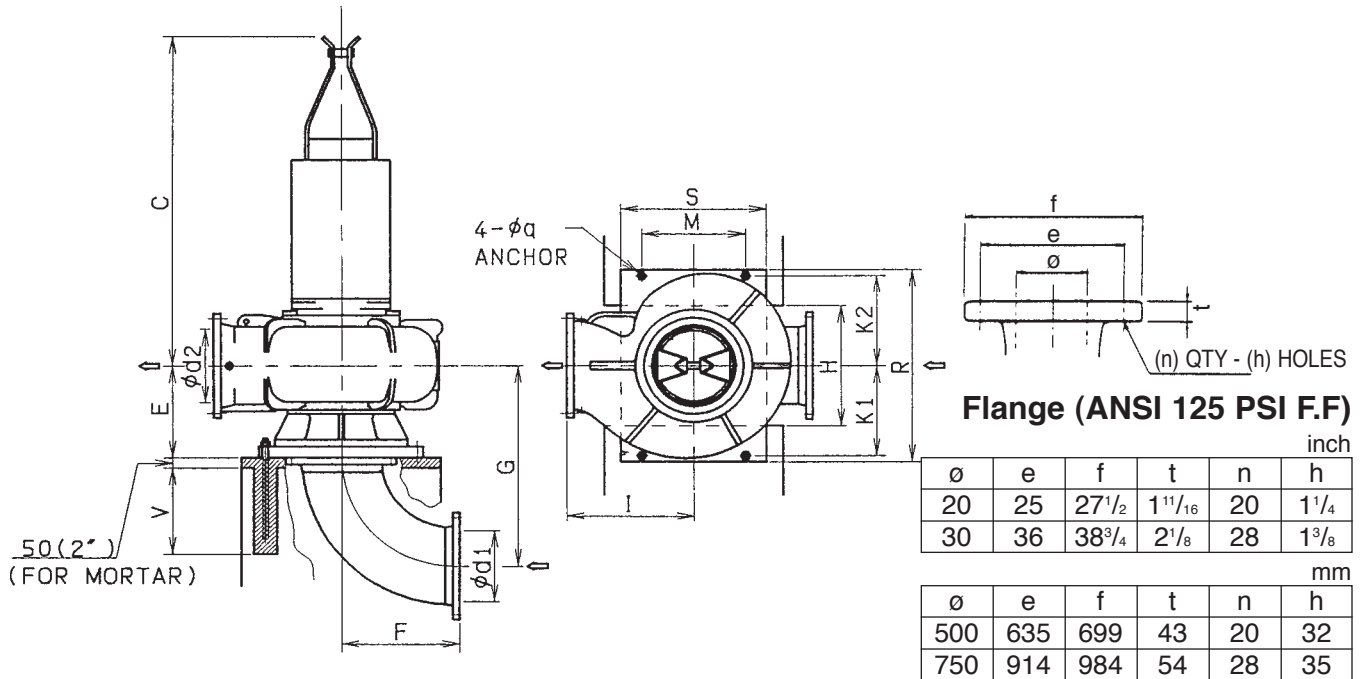
Dimensions are Approximate

† Note: Includes weight of 33 ft. standard length cables.

Dimensions

Project: _____ Model: _____ Chk'd: _____ Date: _____

**Model DSCA3 Drypit Application
750x500DSCA3 C2113**



W1: pump weight
W2: suction elbow weight
W3: water in pump

Dimensions: inch

Model (Pole)	HP	Pump & Motor														Weight (Lbs.) †1			
		d1	d2	C	E	F	G	H	I	K1	K2	M	R	S	V	q	W1	W2	W3
C2113-590 (12 Poles)	50	30	20	84 ⁵ / ₈	30 ¹ / ₂	44 ⁵ / ₁₆	74 ¹³ / ₁₆	44 ¹ / ₈	35 ¹ / ₄	29 ¹⁵ / ₁₆	29 ¹⁵ / ₁₆	46 ¹ / ₁₆	63	49 ³ / ₁₆	29 ¹ / ₂	17 ¹ / ₁₆	8047	1918	3682
	60	30	20	84 ⁵ / ₈	30 ¹ / ₂	44 ⁵ / ₁₆	74 ¹³ / ₁₆	44 ¹ / ₈	35 ¹ / ₄	29 ¹⁵ / ₁₆	29 ¹⁵ / ₁₆	46 ¹ / ₁₆	63	49 ³ / ₁₆	29 ¹ / ₂	17 ¹ / ₁₆	8047	1918	3682
	75	30	20	98 ¹ / ₁₆	30 ¹ / ₂	44 ⁵ / ₁₆	74 ¹³ / ₁₆	44 ¹ / ₈	35 ¹ / ₄	29 ¹⁵ / ₁₆	29 ¹⁵ / ₁₆	46 ¹ / ₁₆	63	49 ³ / ₁₆	29 ¹ / ₂	17 ¹ / ₁₆	9348	1918	3682
C2113-710 (10 Poles)	75	30	20	84 ⁵ / ₈	30 ¹ / ₂	44 ⁵ / ₁₆	74 ¹³ / ₁₆	44 ¹ / ₈	35 ¹ / ₄	29 ¹⁵ / ₁₆	29 ¹⁵ / ₁₆	46 ¹ / ₁₆	63	49 ³ / ₁₆	29 ¹ / ₂	17 ¹ / ₁₆	8113	1918	3682
	100	30	20	98 ¹ / ₁₆	30 ¹ / ₂	44 ⁵ / ₁₆	74 ¹³ / ₁₆	44 ¹ / ₈	35 ¹ / ₄	29 ¹⁵ / ₁₆	29 ¹⁵ / ₁₆	46 ¹ / ₁₆	63	49 ³ / ₁₆	29 ¹ / ₂	17 ¹ / ₁₆	9436	1918	3682
	120	30	20	98 ¹ / ₁₆	30 ¹ / ₂	44 ⁵ / ₁₆	74 ¹³ / ₁₆	44 ¹ / ₈	35 ¹ / ₄	29 ¹⁵ / ₁₆	29 ¹⁵ / ₁₆	46 ¹ / ₁₆	63	49 ³ / ₁₆	29 ¹ / ₂	17 ¹ / ₁₆	9546	1918	3682

Dimensions: mm

Model (Pole)	KW	Pump & Motor														Weight (kgf) †1			
		d1	d2	C	E	F	G	H	I	K1	K2	M	R	S	V	q	W1	W2	W3
C2113-590 (12 Poles)	37	750	500	2150	775	1125	1900	1120	895	760	760	1170	1600	1250	750	36	3650	870	1670
	45	750	500	2150	775	1125	1900	1120	895	760	760	1170	1600	1250	750	36	3650	870	1670
	55	750	500	2490	775	1125	1900	1120	895	760	760	1170	1600	1250	750	36	4240	870	1670
C2113-710 (10 Poles)	55	750	500	2150	775	1125	1900	1120	895	760	760	1170	1600	1250	750	36	3680	870	1670
	75	750	500	2490	775	1125	1900	1120	895	760	760	1170	1600	1250	750	36	4280	870	1670
	90	750	500	2490	775	1125	1900	1120	895	760	760	1170	1600	1250	750	36	4330	870	1670

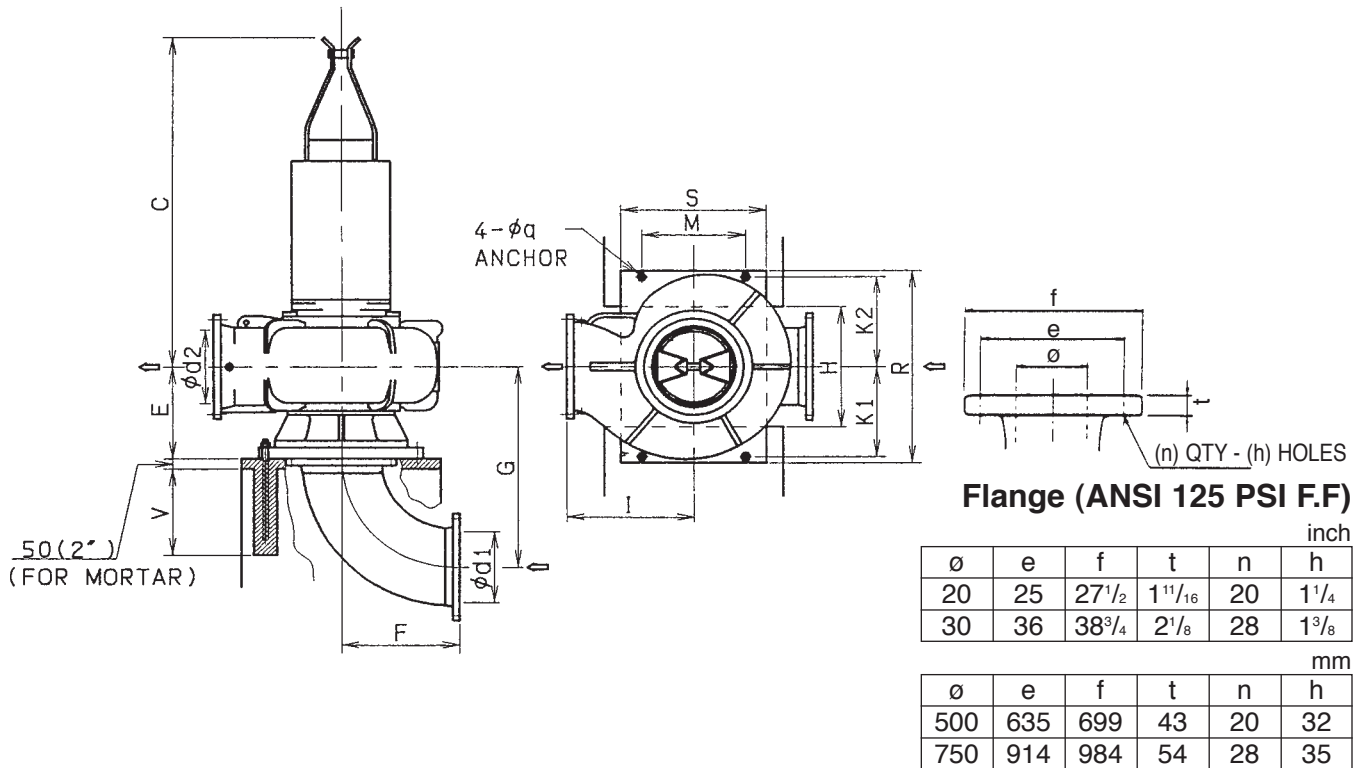
Dimensions are Approximate

† Note: Includes weight of 33 ft. standard length cables.

Dimensions

Project: _____ Model: _____ Chk'd: _____ Date: _____

Model DSCA3 Drypit Application
750x500DSCA3 C2113



W1: pump weight
 W2: suction elbow weight
 W3: water in pump

Dimensions: inch

Model (Pole)	HP	Pump & Motor														Weight (Lbs.) †			
		d1	d2	C	E	F	G	H	I	K1	K2	M	R	S	V	q	W1	W2	W3
C2113-885 (8 Poles)	145	30	20	98 ¹ / ₁₆	30 ¹ / ₂	44 ⁵ / ₁₆	74 ¹³ / ₁₆	44 ⁷ / ₈	35 ¹ / ₄	29 ¹⁵ / ₁₆	29 ¹⁵ / ₁₆	46 ¹ / ₁₆	63	49 ⁹ / ₁₆	29 ¹ / ₂	17 ¹ / ₁₆	9414	1918	3682
	175	30	20	98 ¹ / ₁₆	30 ¹ / ₂	44 ⁵ / ₁₆	74 ¹³ / ₁₆	44 ⁷ / ₈	35 ¹ / ₄	29 ¹⁵ / ₁₆	29 ¹⁵ / ₁₆	46 ¹ / ₁₆	63	49 ⁹ / ₁₆	29 ¹ / ₂	17 ¹ / ₁₆	9546	1918	3682
	200	30	20	101 ¹⁵ / ₁₆	30 ¹ / ₂	44 ⁵ / ₁₆	74 ¹³ / ₁₆	44 ⁷ / ₈	35 ¹ / ₄	29 ¹⁵ / ₁₆	29 ¹⁵ / ₁₆	46 ¹ / ₁₆	63	49 ⁹ / ₁₆	29 ¹ / ₂	17 ¹ / ₁₆	9766	1918	3682
	215	30	20	101 ¹⁵ / ₁₆	30 ¹ / ₂	44 ⁵ / ₁₆	74 ¹³ / ₁₆	44 ⁷ / ₈	35 ¹ / ₄	29 ¹⁵ / ₁₆	29 ¹⁵ / ₁₆	46 ¹ / ₁₆	63	49 ⁹ / ₁₆	29 ¹ / ₂	17 ¹ / ₁₆	9766	1918	3682
	245	30	20	101 ³ / ₁₆	30 ¹ / ₂	44 ⁵ / ₁₆	74 ¹³ / ₁₆	44 ⁷ / ₈	35 ¹ / ₄	29 ¹⁵ / ₁₆	29 ¹⁵ / ₁₆	46 ¹ / ₁₆	63	49 ⁹ / ₁₆	29 ¹ / ₂	17 ¹ / ₁₆	11464	1918	3682

Dimensions: mm

Model (Pole)	KW	Pump & Motor														Weight (kgf) †			
		d1	d2	C	E	F	G	H	I	K1	K2	M	R	S	V	q	W1	W2	W3
C2113-885 (8 Poles)	110	750	500	2490	775	1125	1900	1120	895	760	760	1170	1600	1250	750	36	4270	870	1670
	132	750	500	2490	775	1125	1900	1120	895	760	760	1170	1600	1250	750	36	4330	870	1670
	150	750	500	2590	775	1125	1900	1120	895	760	760	1170	1600	1250	750	36	4430	870	1670
	160	750	500	2590	775	1125	1900	1120	895	760	760	1170	1600	1250	750	36	4430	870	1670
	185	750	500	2570	775	1125	1900	1120	895	760	760	1170	1600	1250	750	36	5200	870	1670

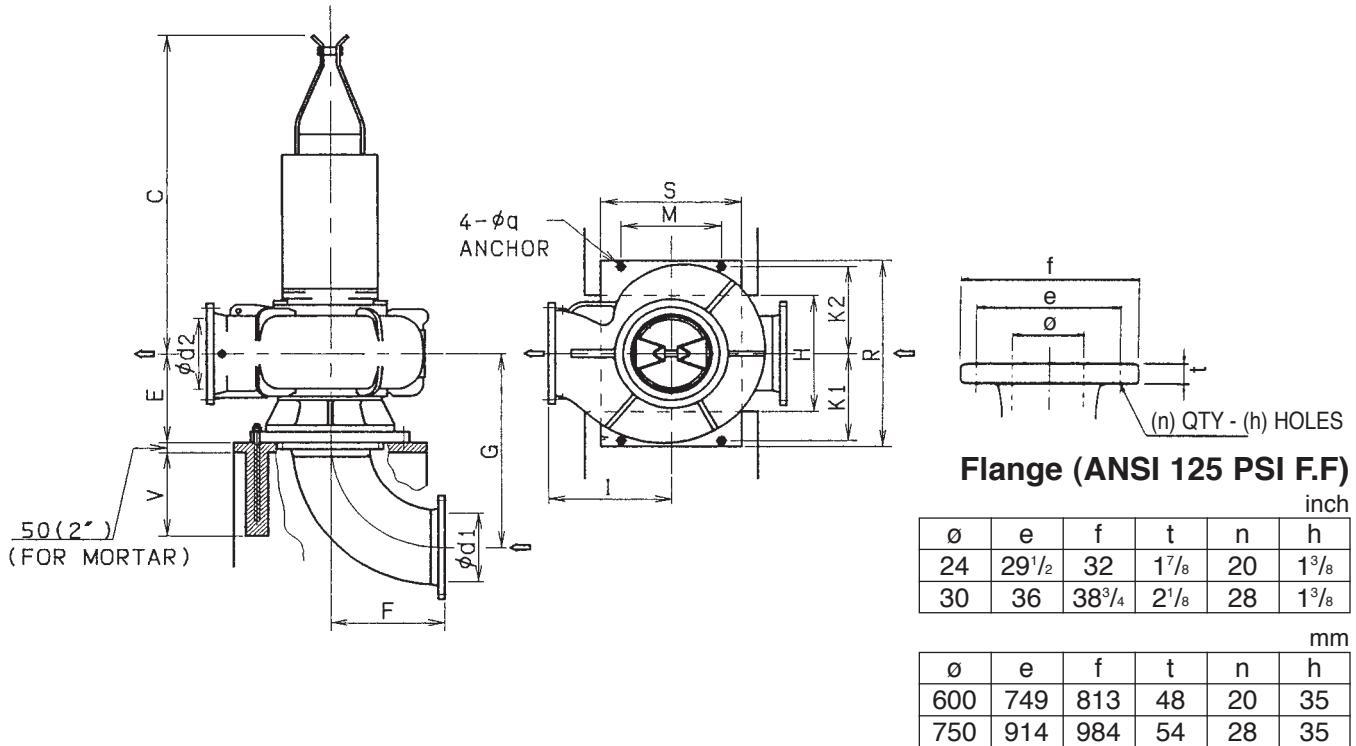
Dimensions are Approximate

† Note: Includes weight of 33 ft. standard length cables.

Dimensions

Project: _____ Model: _____ Chk'd: _____ Date: _____

Model DSCA3 Drypit Application
750x600DSCA3 C2373



W1: pump weight
W2: suction elbow weight
W3: water in pump

Dimensions: inch

Model (Pole)	HP	Pump & Motor														Weight (Lbs.) †			
		d1	d2	C	E	F	G	H	I	K1	K2	M	R	S	V	q	W1	W2	W3
C2373-590 (12 Poles)	75	30	24	98 ⁷ / ₁₆	28 ⁹ / ₁₆	44 ⁵ / ₁₆	72 ¹³ / ₁₆	44 ¹ / ₈	39 ⁹ / ₈	29 ¹⁵ / ₁₆	29 ¹⁵ / ₁₆	46 ¹ / ₁₆	63	49 ³ / ₁₆	29 ¹ / ₂	1 ⁷ / ₁₆	10009	1918	4167
	100	30	24	98 ⁷ / ₁₆	28 ⁹ / ₁₆	44 ⁵ / ₁₆	72 ¹³ / ₁₆	44 ¹ / ₈	39 ⁹ / ₈	29 ¹⁵ / ₁₆	29 ¹⁵ / ₁₆	46 ¹ / ₁₆	63	49 ³ / ₁₆	29 ¹ / ₂	1 ⁷ / ₁₆	10119	1918	4167
	120	30	24	102 ³ / ₈	28 ⁹ / ₁₆	44 ⁵ / ₁₆	72 ¹³ / ₁₆	44 ¹ / ₈	39 ⁹ / ₈	29 ¹⁵ / ₁₆	29 ¹⁵ / ₁₆	46 ¹ / ₁₆	63	49 ³ / ₁₆	29 ¹ / ₂	1 ⁷ / ₁₆	10428	1918	4167
	145	30	24	101 ⁹ / ₁₆	28 ⁹ / ₁₆	44 ⁵ / ₁₆	72 ¹³ / ₁₆	44 ¹ / ₈	39 ⁹ / ₈	29 ¹⁵ / ₁₆	29 ¹⁵ / ₁₆	46 ¹ / ₁₆	63	49 ³ / ₁₆	29 ¹ / ₂	1 ⁷ / ₁₆	12081	1918	4167
C2373-710 (10 Poles)	145	30	24	102 ³ / ₈	28 ⁹ / ₁₆	44 ⁵ / ₁₆	72 ¹³ / ₁₆	44 ¹ / ₈	39 ⁹ / ₈	29 ¹⁵ / ₁₆	29 ¹⁵ / ₁₆	46 ¹ / ₁₆	63	49 ³ / ₁₆	29 ¹ / ₂	1 ⁷ / ₁₆	10560	1918	4167
	175	30	24	101 ⁹ / ₁₆	28 ⁹ / ₁₆	44 ⁵ / ₁₆	72 ¹³ / ₁₆	44 ¹ / ₈	39 ⁹ / ₈	29 ¹⁵ / ₁₆	29 ¹⁵ / ₁₆	46 ¹ / ₁₆	63	49 ³ / ₁₆	29 ¹ / ₂	1 ⁷ / ₁₆	12103	1918	4167
	200	30	24	101 ⁹ / ₁₆	28 ⁹ / ₁₆	44 ⁵ / ₁₆	72 ¹³ / ₁₆	44 ¹ / ₈	39 ⁹ / ₈	29 ¹⁵ / ₁₆	29 ¹⁵ / ₁₆	46 ¹ / ₁₆	63	49 ³ / ₁₆	29 ¹ / ₂	1 ⁷ / ₁₆	12302	1918	4167
	215	30	24	101 ⁹ / ₁₆	28 ⁹ / ₁₆	44 ⁵ / ₁₆	72 ¹³ / ₁₆	44 ¹ / ₈	39 ⁹ / ₈	29 ¹⁵ / ₁₆	29 ¹⁵ / ₁₆	46 ¹ / ₁₆	63	49 ³ / ₁₆	29 ¹ / ₂	1 ⁷ / ₁₆	12302	1918	4167

Dimensions: mm

Model (Pole)	KW	Pump & Motor														Weight (kgf) †			
		d1	d2	C	E	F	G	H	I	K1	K2	M	R	S	V	q	W1	W2	W3
C2373-590 (12 Poles)	55	750	600	2500	725	1125	1850	1120	1000	760	760	1170	1600	1250	750	36	4540	870	1890
	75	750	600	2500	725	1125	1850	1120	1000	760	760	1170	1600	1250	750	36	4590	870	1890
	90	750	600	2600	725	1125	1850	1120	1000	760	760	1170	1600	1250	750	36	4730	870	1890
	110	750	600	2580	725	1125	1850	1120	1000	760	760	1170	1600	1250	750	36	5480	870	1890
C2373-710 (10 Poles)	110	750	600	2600	725	1125	1850	1120	1000	760	760	1170	1600	1250	750	36	4790	870	1890
	132	750	600	2580	725	1125	1850	1120	1000	760	760	1170	1600	1250	750	36	5490	870	1890
	150	750	600	2580	725	1125	1850	1120	1000	760	760	1170	1600	1250	750	36	5580	870	1890
	160	750	600	2580	725	1125	1850	1120	1000	760	760	1170	1600	1250	750	36	5580	870	1890

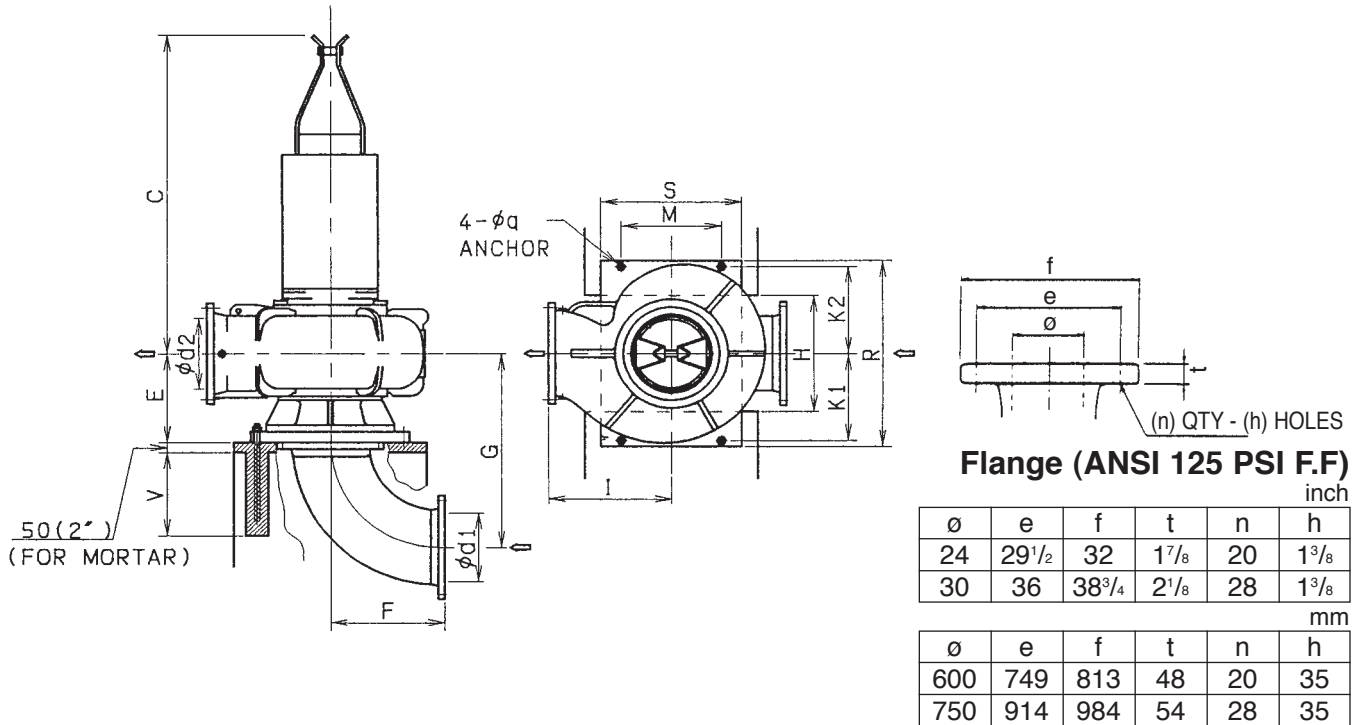
Dimensions are Approximate

† Note: Includes weight of 33 ft. standard length cables.

Dimensions

Project: _____ Model: _____ Chk'd: _____ Date: _____

Model DSCA3 Drypit Application
750x600DSCA3 C2573



W1: pump weight
W2: suction elbow weight
W3: water in pump

Dimensions: inch

Model (Pole)	HP	Pump & Motor														Weight (Lbs.) †			
		d1	d2	C	E	F	G	H	I	K1	K2	M	R	S	V	q	W1	W2	W3
C2573-590 (12 Poles)	120	30	24	102 ³ / ₄	31 ¹¹ / ₁₆	44 ⁵ / ₁₆	76	44 ¹ / ₈	42 ¹¹ / ₁₆	29 ¹⁵ / ₁₆	29 ¹⁵ / ₁₆	46 ¹ / ₁₆	63	49 ⁹ / ₁₆	29 ¹ / ₂	1 ⁷ / ₁₆	11420	1918	4806
	145	30	24	101 ¹⁵ / ₁₆	31 ¹¹ / ₁₆	44 ⁵ / ₁₆	76	44 ¹ / ₈	42 ¹¹ / ₁₆	29 ¹⁵ / ₁₆	29 ¹⁵ / ₁₆	46 ¹ / ₁₆	63	49 ⁹ / ₁₆	29 ¹ / ₂	1 ⁷ / ₁₆	13095	1918	4806
	175	30	24	101 ¹⁵ / ₁₆	31 ¹¹ / ₁₆	44 ⁵ / ₁₆	76	44 ¹ / ₈	42 ¹¹ / ₁₆	29 ¹⁵ / ₁₆	29 ¹⁵ / ₁₆	46 ¹ / ₁₆	63	49 ⁹ / ₁₆	29 ¹ / ₂	1 ⁷ / ₁₆	13294	1918	4806
C2573-710 (10 Poles)	200	30	24	109 ¹³ / ₁₆	31 ¹¹ / ₁₆	44 ⁵ / ₁₆	76	44 ¹ / ₈	42 ¹¹ / ₁₆	29 ¹⁵ / ₁₆	29 ¹⁵ / ₁₆	46 ¹ / ₁₆	63	49 ⁹ / ₁₆	29 ¹ / ₂	1 ⁷ / ₁₆	13338	1918	4806
	215	30	24	109 ¹³ / ₁₆	31 ¹¹ / ₁₆	44 ⁵ / ₁₆	76	44 ¹ / ₈	42 ¹¹ / ₁₆	29 ¹⁵ / ₁₆	29 ¹⁵ / ₁₆	46 ¹ / ₁₆	63	49 ⁹ / ₁₆	29 ¹ / ₂	1 ⁷ / ₁₆	13338	1918	4806
	245	30	24	109 ¹³ / ₁₆	31 ¹¹ / ₁₆	44 ⁵ / ₁₆	76	44 ¹ / ₈	42 ¹¹ / ₁₆	29 ¹⁵ / ₁₆	29 ¹⁵ / ₁₆	46 ¹ / ₁₆	63	49 ⁹ / ₁₆	29 ¹ / ₂	1 ⁷ / ₁₆	13646	1918	4806
	265	30	24	109 ¹³ / ₁₆	31 ¹¹ / ₁₆	44 ⁵ / ₁₆	76	44 ¹ / ₈	42 ¹¹ / ₁₆	29 ¹⁵ / ₁₆	29 ¹⁵ / ₁₆	46 ¹ / ₁₆	63	49 ⁹ / ₁₆	29 ¹ / ₂	1 ⁷ / ₁₆	13845	1918	4806
	295	30	24	109 ¹³ / ₁₆	31 ¹¹ / ₁₆	44 ⁵ / ₁₆	76	44 ¹ / ₈	42 ¹¹ / ₁₆	29 ¹⁵ / ₁₆	29 ¹⁵ / ₁₆	46 ¹ / ₁₆	63	49 ⁹ / ₁₆	29 ¹ / ₂	1 ⁷ / ₁₆	14308	1918	4806
335	30	24	109 ¹³ / ₁₆	31 ¹¹ / ₁₆	44 ⁵ / ₁₆	76	44 ¹ / ₈	42 ¹¹ / ₁₆	29 ¹⁵ / ₁₆	29 ¹⁵ / ₁₆	46 ¹ / ₁₆	63	49 ⁹ / ₁₆	29 ¹ / ₂	1 ⁷ / ₁₆	14528	1918	4806	

Dimensions: mm

Model (Pole)	KW	Pump & Motor														Weight (kgf) †			
		d1	d2	C	E	F	G	H	I	K1	K2	M	R	S	V	q	W1	W2	W3
C2573-590 (12 Poles)	90	750	600	2610	805	1125	1930	1120	1085	760	760	1170	1600	1250	750	36	5180	870	2180
	110	750	600	2590	805	1125	1930	1120	1085	760	760	1170	1600	1250	750	36	5940	870	2180
	132	750	600	2590	805	1125	1930	1120	1085	760	760	1170	1600	1250	750	36	6030	870	2180
C2573-710 (10 Poles)	150	750	600	2790	805	1125	1930	1120	1085	760	760	1170	1600	1250	750	36	6050	870	2180
	160	750	600	2790	805	1125	1930	1120	1085	760	760	1170	1600	1250	750	36	6050	870	2180
	185	750	600	2790	805	1125	1930	1120	1085	760	760	1170	1600	1250	750	36	6190	870	2180
	200	750	600	2790	805	1125	1930	1120	1085	760	760	1170	1600	1250	750	36	6280	870	2180
	220	750	600	2790	805	1125	1930	1120	1085	760	760	1170	1600	1250	750	36	6490	870	2180
250	750	600	2790	805	1125	1930	1120	1085	760	760	1170	1600	1250	750	36	6590	870	2180	

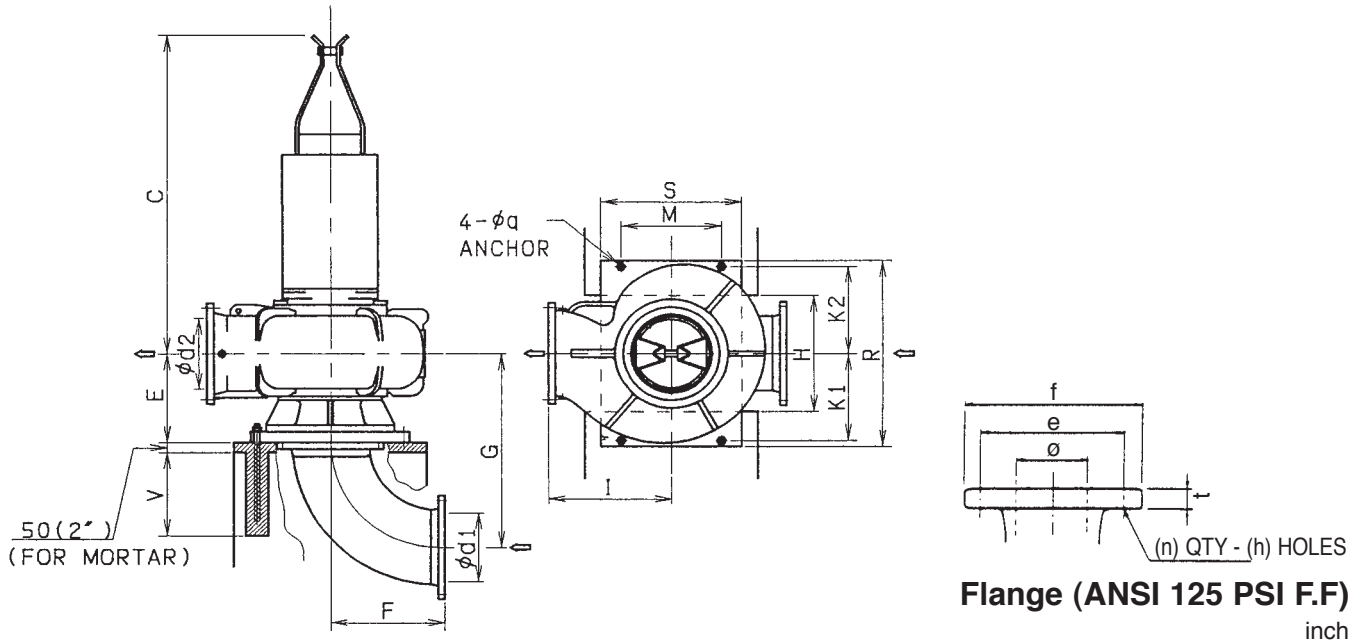
Dimensions are Approximate

† Note: Includes weight of 33 ft. standard length cables.

Dimensions

Project: _____ Model: _____ Chk'd: _____ Date: _____

**Model DSCA3 Drypit Application
900x750DSCA3 C2953**



Flange (ANSI 125 PSI F.F)

inch

ø	e	f	t	n	h
30	36	38 ^{3/4}	2 ^{1/8}	28	1 ^{3/8}

mm

ø	e	f	t	n	h
750	914	984	54	28	35

W1: pump weight
W2: suction elbow weight
W3: water in pump

Dimensions: inch

Model (Pole)	HP	Pump & Motor															Weight (Lbs.) †1		
		d1	d2	C	E	F	G	H	I	K1	K2	M	R	S	V	q	W1	W2	W3
C2953-590 (12 Poles)	245	36	30	111	35 ^{13/16}	53 ^{1/8}	89	51 ^{15/16}	49	35 ^{7/16}	35 ^{7/16}	53 ^{15/16}	74 ^{13/16}	57 ^{1/16}	29 ^{1/2}	1 ^{7/16}	18056	2976	7650
	265	36	30	111	35 ^{13/16}	53 ^{1/8}	89	51 ^{15/16}	49	35 ^{7/16}	35 ^{7/16}	53 ^{15/16}	74 ^{13/16}	57 ^{1/16}	29 ^{1/2}	1 ^{7/16}	18254	2976	7650
	295	36	30	111	35 ^{13/16}	53 ^{1/8}	89	51 ^{15/16}	49	35 ^{7/16}	35 ^{7/16}	53 ^{15/16}	74 ^{13/16}	57 ^{1/16}	29 ^{1/2}	1 ^{7/16}	18254	2976	7650
	335	Contact EBARA																	
	375	Contact EBARA																	

Dimensions: mm

Model (Pole)	KW	Pump & Motor															Weight (kg) †1		
		d1	d2	C	E	F	G	H	I	K1	K2	M	R	S	V	q	W1	W2	W3
C2953-590 (12 Poles)	185	900	750	2820	910	1350	2260	1320	1245	900	900	1370	1900	1450	750	36	8190	1350	3470
	200	900	750	2820	910	1350	2260	1320	1245	900	900	1370	1900	1450	750	36	8280	1350	3470
	220	900	750	2820	910	1350	2260	1320	1245	900	900	1370	1900	1450	750	36	8280	1350	3470
	250	Contact EBARA																	
	280	Contact EBARA																	

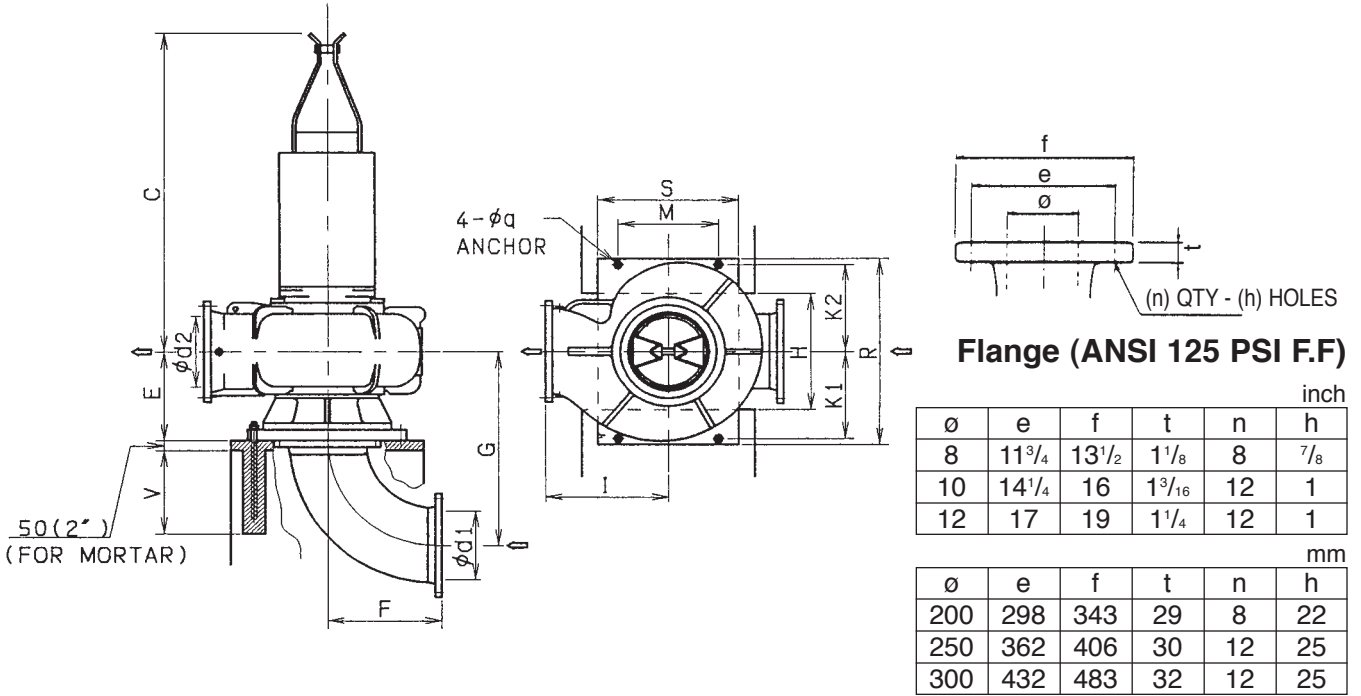
Dimensions are Approximate

† Note: Includes weight of 33 ft. standard length cables.

Dimensions

Project: _____ Model: _____ Chk'd: _____ Date: _____

Model DSCA3 Drypit Application
250x200DSCA3 D0852
250x200DSCA3 D0922
300x250DSCA3 D1002



W1: pump weight
 W2: suction elbow weight
 W3: water in pump

Dimensions: inch

Model (Pole)	HP	Pump & Motor															Weight (Lbs.) †																					
		d1	d2	C	E	F	G	H	I	K1	K2	M	R	S	V	q	W1	W2	W3																			
D0852-1760 (4 Poles)	20	Contact EBARA																																				
	25																																					
D0922-1760 (4 Poles)	25																																					
	30																																					
D1002-1760 (4 Poles)	40																																					
	50																					12	10	62 ⁵ / ₈	14 ¹⁵ / ₁₆	23 ¹ / ₄	32 ¹¹ / ₁₆	20 ¹ / ₂	16 ³ / ₄	15 ³ / ₄	15 ³ / ₄	27 ³ / ₁₆	33 ⁷ / ₈	29 ¹ / ₂	17 ¹¹ / ₁₆	1 ¹⁵ / ₁₆	2359	353

Dimensions: mm

Model (Pole)	KW	Pump & Motor															Weight (kg) †																					
		d1	d2	C	E	F	G	H	I	K1	K2	M	R	S	V	q	W1	W2	W3																			
D0852-1760 (4 Poles)	15	Contact EBARA																																				
	18.5																																					
D0922-1760 (4 Poles)	18.5																																					
	22																																					
D1002-1760 (4 Poles)	30																																					
	37																					300	250	1590	380	590	830	520	425	400	400	690	860	750	450	24	1070	160

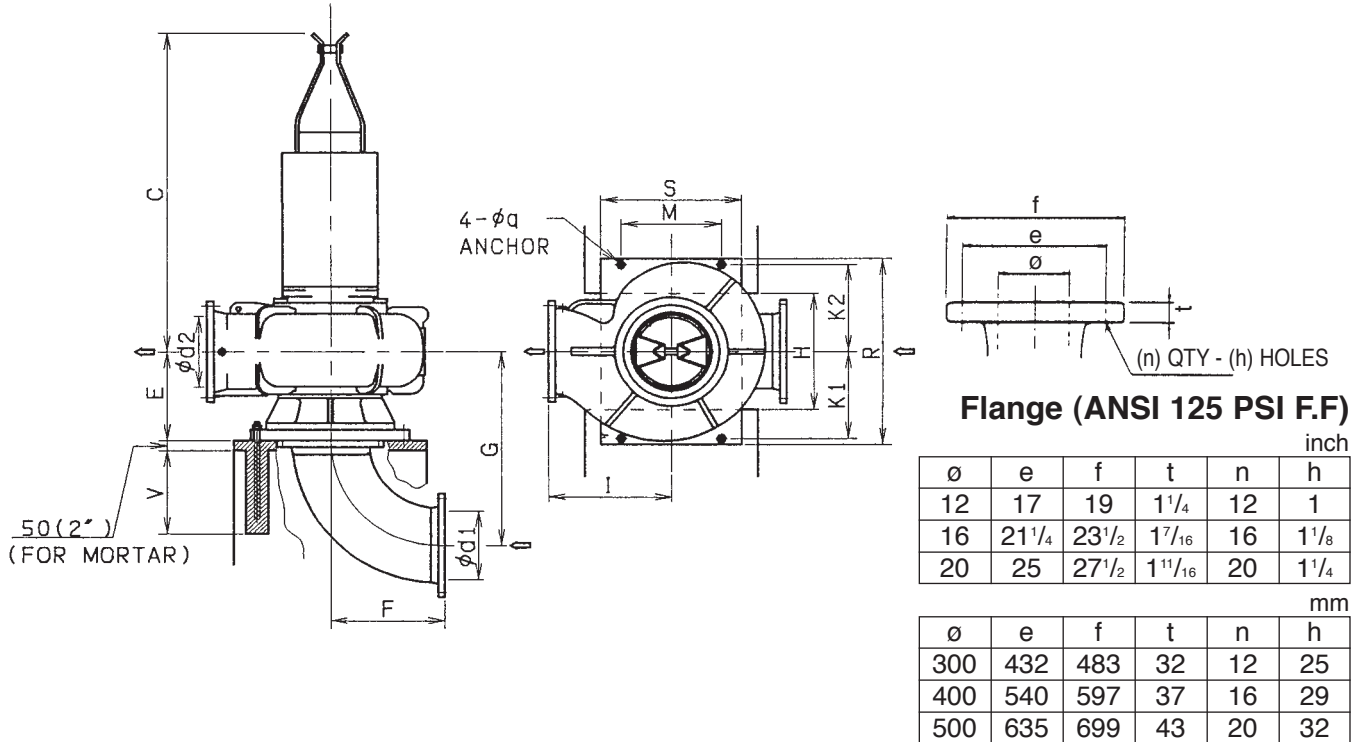
Dimensions are Approximate

† Note: Includes weight of 33 ft. standard length cables.

Dimensions

Project: _____ Model: _____ Chk'd: _____ Date: _____

Model DSCA3 Drypit Application
400x300DSCA3 D1262
500x300DSCA3 D1553



W1: pump weight
 W2: suction elbow weight
 W3: water in pump

Dimensions: inch

Model (Pole)	HP	Pump & Motor														Weight (Lbs.) †1			
		d1	d2	C	E	F	G	H	I	K1	K2	M	R	S	V	q	W1	W2	W3
D1262-1770 (4 Poles)	120	16	12	81 1/8	18 11/16	25 3/16	42 1/2	26 3/4	21 1/16	19 11/16	19 11/16	31 1/8	41 3/4	33 7/16	17 11/16	15 1/16	4167	507	639
	145	16	12	81 1/8	18 11/16	25 3/16	42 1/2	26 3/4	21 1/16	19 11/16	19 11/16	31 1/8	41 3/4	33 7/16	17 11/16	15 1/16	4255	507	639
	175	16	12	81 1/8	18 11/16	25 3/16	42 1/2	26 3/4	21 1/16	19 11/16	19 11/16	31 1/8	41 3/4	33 7/16	17 11/16	15 1/16	4321	507	639
D1553-1175 (6 Poles)	145	20	16	81 7/8	21 5/8	29 1/2	51 3/16	31 1/2	26 15/16	21 5/8	21 5/8	34 5/8	46 1/16	37 3/8	22 13/16	1 3/16	5313	882	1213
	175	20	16	95 1/4	21 5/8	29 1/2	51 3/16	31 1/2	26 15/16	21 5/8	21 5/8	34 5/8	46 1/16	37 3/8	22 13/16	1 3/16	6437	882	1213
	200	20	16	95 1/4	21 5/8	29 1/2	51 3/16	31 1/2	26 15/16	21 5/8	21 5/8	34 5/8	46 1/16	37 3/8	22 13/16	1 3/16	6570	882	1213
	215	20	16	99 3/16	21 5/8	29 1/2	51 3/16	31 1/2	26 15/16	21 5/8	21 5/8	34 5/8	46 1/16	37 3/8	22 13/16	1 3/16	6967	882	1213

Dimensions: mm

Model (Pole)	KW	Pump & Motor														Weight (kgf) †1			
		d1	d2	C	E	F	G	H	I	K1	K2	M	R	S	V	q	W1	W2	W3
D1262-1770 (4 Poles)	90	400	300	2060	475	640	1080	680	535	500	500	790	1060	850	450	24	1890	230	290
	110	400	300	2060	475	640	1080	680	535	500	500	790	1060	850	450	24	1930	230	290
	132	400	300	2060	475	640	1080	680	535	500	500	790	1060	850	450	24	1960	230	290
D1553-1175 (6 Poles)	110	500	400	2080	550	750	1300	800	685	550	550	880	1170	950	580	30	2410	400	550
	132	500	400	2420	550	750	1300	800	685	550	550	880	1170	950	580	30	2920	400	550
	150	500	400	2420	550	750	1300	800	685	550	550	880	1170	950	580	30	2980	400	550
	160	500	400	2520	550	750	1300	800	685	550	550	880	1170	950	580	30	3160	400	550

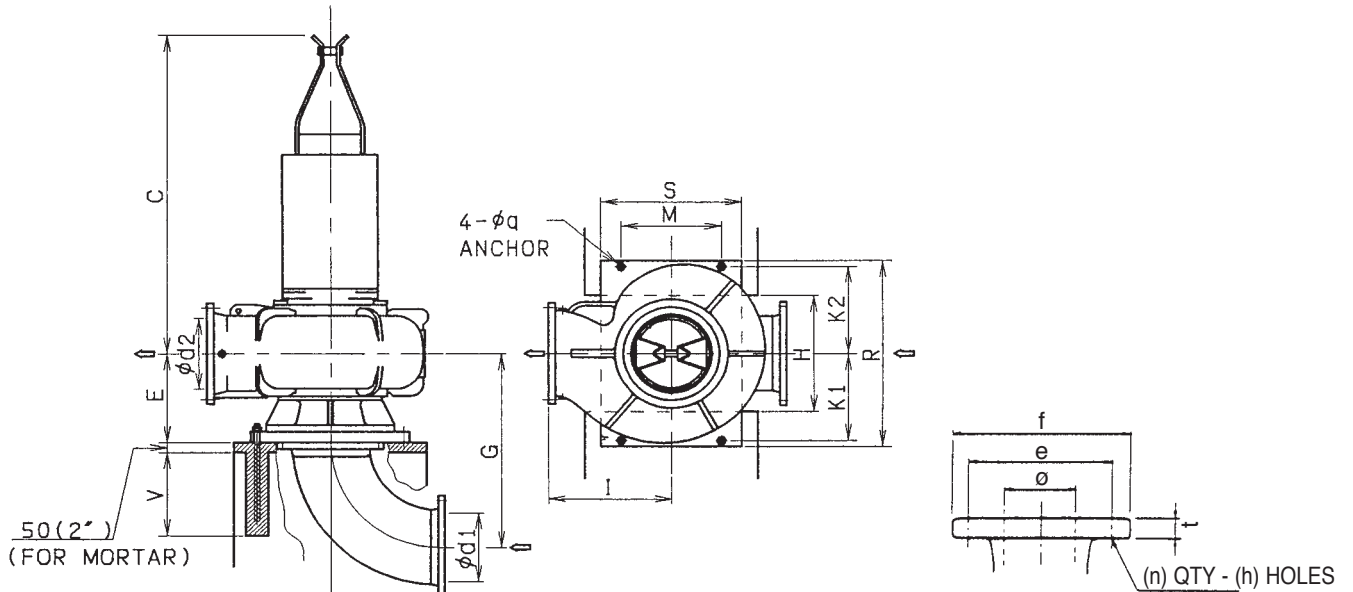
Dimensions are Approximate

† Note: Includes weight of 33 ft. standard length cables.

Dimensions

Project: _____ Model: _____ Chk'd: _____ Date: _____

Model DSCA3 Drypit Application
750x600DSCA3 D2503



Flange (ANSI 125 PSI F.F)

inch					
ø	e	f	t	n	h
24	29 ¹ / ₂	32	1 ⁷ / ₈	20	1 ³ / ₈
30	36	38 ³ / ₄	2 ¹ / ₈	28	1 ³ / ₈

mm					
ø	e	f	t	n	h
600	749	813	48	20	35
750	914	984	54	28	35

W1: pump weight
 W2: suction elbow weight
 W3: water in pump

Dimensions: inch

Model (Pole)	HP	Pump & Motor														Weight (Lbs.) †			
		d1	d2	C	E	F	G	H	I	K1	K2	M	R	S	V	q	W1	W2	W3
D2503-710 (10 Poles)	335	30	24	109 ¹ / ₁₆	27 ³ / ₄	44 ⁵ / ₁₆	72 ¹ / ₁₆	44 ¹ / ₈	41 ⁵ / ₁₆	29 ¹⁵ / ₁₆	29 ¹⁵ / ₁₆	46 ¹ / ₁₆	63	49 ⁷ / ₁₆	29 ¹ / ₂	17 ¹ / ₁₆	15035	1918	4189
	375	Contact EBARA																	
	422																		
	475																		

Dimensions: mm

Model (Pole)	KW	Pump & Motor														Weight (kgf) †			
		d1	d2	C	E	F	G	H	I	K1	K2	M	R	S	V	q	W1	W2	W3
D2503-710 (10 Poles)	250	750	600	2770	705	1125	1830	1120	1050	760	760	1170	1600	1250	750	36	6820	870	1900
	280	Contact EBARA																	
	315																		
	355																		

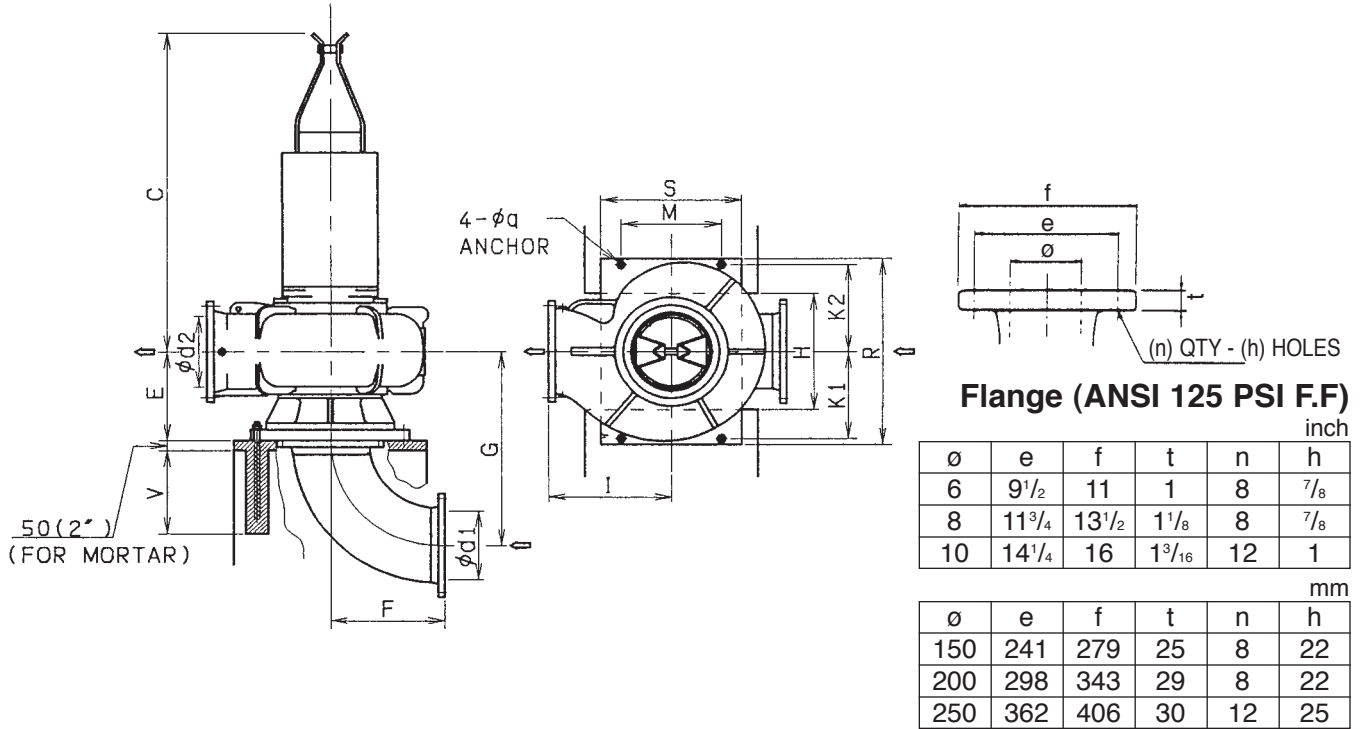
Dimensions are Approximate

† Note: Includes weight of 33 ft. standard length cables.

Dimensions

Project: _____ Model: _____ Chk'd: _____ Date: _____

Model DSCA3 Drypit Application
250x150DSCA3 E0852
250x200DSCA3 E0952



W1: pump weight
 W2: suction elbow weight
 W3: water in pump

Dimensions: inch

Model (Pole)	HP	Pump & Motor														Weight (Lbs.) †																				
		d1	d2	C	E	F	G	H	I	K1	K2	M	R	S	V	q	W1	W2	W3																	
E0852-1760 (4 Poles)	25	Contact EBARA																																		
	30																																			
	40																																			
E0952-1760 (4 Poles)	40	Contact EBARA																																		
	50																		10	8	6 ² / ₈	13 ⁹ / ₁₆	22 ⁷ / ₁₆	28 ³ / ₈	16 ¹⁵ / ₁₆	15 ¹⁵ / ₁₆	13 ³ / ₄	13 ³ / ₄	25 ³ / ₁₆	29 ¹⁵ / ₁₆	27 ⁹ / ₁₆	17 ¹¹ / ₁₆	1 ⁵ / ₁₆	2161	287	220
	60																		10	8	6 ² / ₈	13 ⁹ / ₁₆	22 ⁷ / ₁₆	28 ³ / ₈	16 ¹⁵ / ₁₆	15 ¹⁵ / ₁₆	13 ³ / ₄	13 ³ / ₄	25 ³ / ₁₆	29 ¹⁵ / ₁₆	27 ⁹ / ₁₆	17 ¹¹ / ₁₆	1 ⁵ / ₁₆	2227	287	220
	75	10	8	6 ² / ₈	13 ⁹ / ₁₆	22 ⁷ / ₁₆	28 ³ / ₈	16 ¹⁵ / ₁₆	15 ¹⁵ / ₁₆	13 ³ / ₄	13 ³ / ₄	25 ³ / ₁₆	29 ¹⁵ / ₁₆	27 ⁹ / ₁₆	17 ¹¹ / ₁₆	1 ⁵ / ₁₆	2271	287	220																	

Dimensions: mm

Model (Pole)	KW	Pump & Motor														Weight (kgf) †																				
		d1	d2	C	E	F	G	H	I	K1	K2	M	R	S	V	q	W1	W2	W3																	
E0852-1760 (4 Poles)	18.5	Contact EBARA																																		
	22																																			
	30																																			
E0952-1760 (4 Poles)	30	Contact EBARA																																		
	37																		250	200	1590	345	570	720	430	405	350	350	640	760	700	450	24	980	130	100
	45																		250	200	1590	345	570	720	430	405	350	350	640	760	700	450	24	1010	130	100
	55	250	200	1590	345	570	720	430	405	350	350	640	760	700	450	24	1030	130	100																	

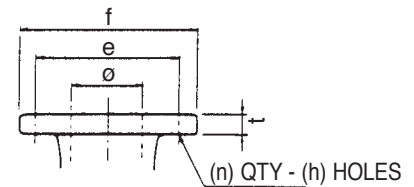
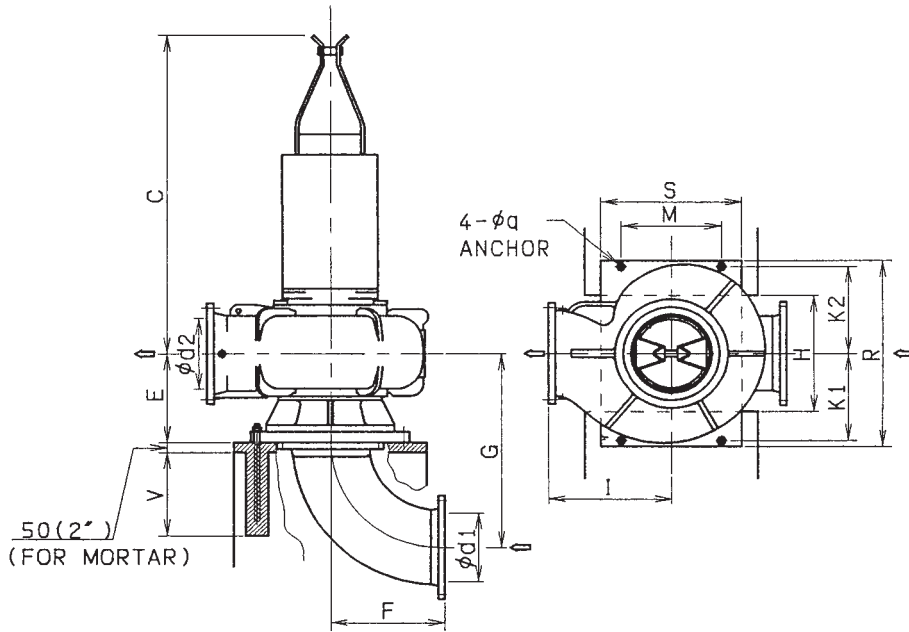
Dimensions are Approximate

† Note: Includes weight of 33 ft. standard length cables.

Dimensions

Project: _____ Model: _____ Chk'd: _____ Date: _____

**Model DSCA3 Drypit Application
300x200DSCA3 E1052**



Flange (ANSI 125 PSI F.F)

inch

ø	e	f	t	n	h
8	11 ³ / ₄	13 ¹ / ₂	1 ¹ / ₈	8	⁷ / ₈
12	17	19	1 ¹ / ₄	12	1

mm

ø	e	f	t	n	h
200	298	343	29	8	22
300	432	483	32	12	25

W1: pump weight
W2: suction elbow weight
W3: water in pump

Dimensions: inch

Model (Pole)	HP	Pump & Motor														Weight (Lbs.) †			
		d1	d2	C	E	F	G	H	I	K1	K2	M	R	S	V	q	W1	W2	W3
E1052-1180L (6 Poles)	25	12	8	39 ³ / ₈	15 ³ / ₈	23 ¹ / ₄	33 ¹ / ₁₆	20 ¹ / ₂	17 ¹¹ / ₁₆	15 ³ / ₄	15 ³ / ₄	27 ³ / ₁₆	33 ⁷ / ₈	29 ¹ / ₂	17 ¹¹ / ₁₆	¹⁵ / ₁₆	1896	353	331
	30	12	8	39 ³ / ₈	15 ³ / ₈	23 ¹ / ₄	33 ¹ / ₁₆	20 ¹ / ₂	17 ¹¹ / ₁₆	15 ³ / ₄	15 ³ / ₄	27 ³ / ₁₆	33 ⁷ / ₈	29 ¹ / ₂	17 ¹¹ / ₁₆	¹⁵ / ₁₆	1918	353	331
	40	12	8	62 ⁵ / ₈	15 ³ / ₈	23 ¹ / ₄	33 ¹ / ₁₆	20 ¹ / ₂	17 ¹¹ / ₁₆	15 ³ / ₄	15 ³ / ₄	27 ³ / ₁₆	33 ⁷ / ₈	29 ¹ / ₂	17 ¹¹ / ₁₆	¹⁵ / ₁₆	2469	353	331

Dimensions: mm

Model (Pole)	KW	Pump & Motor														Weight (kgf) †			
		d1	d2	C	E	F	G	H	I	K1	K2	M	R	S	V	q	W1	W2	W3
E1052-1180L (6 Poles)	22	300	200	1000	390	590	840	520	450	400	400	790	860	750	450	24	860	160	150
	30	300	200	1000	390	590	840	520	450	400	400	790	860	750	450	24	870	160	150
	37	300	200	1590	390	590	840	520	450	400	400	790	860	750	450	24	1120	160	150

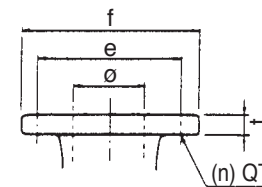
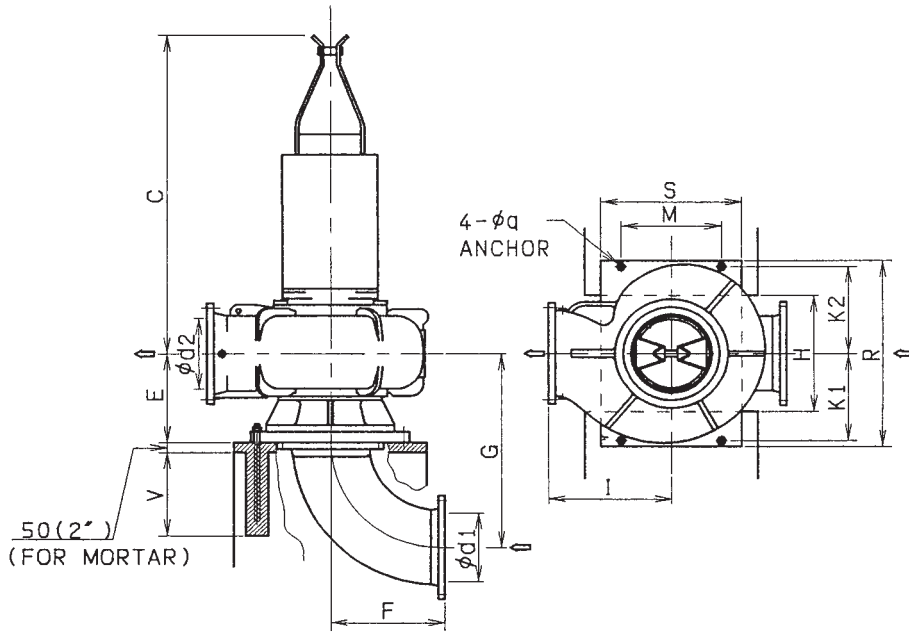
Dimensions are Approximate

† Note: Includes weight of 33 ft. standard length cables.

Dimensions

Project: _____ Model: _____ Chk'd: _____ Date: _____

Model DSCA3 Drypit Application
350x250DSCA3 E1152



Flange (ANSI 125 PSI F.F)

inch					
ø	e	f	t	n	h
10	11 ¹ / ₄	16	1 ³ / ₁₆	12	1
14	18 ³ / ₄	21	1 ³ / ₈	12	1 ¹ / ₈
mm					
ø	e	f	t	n	h
250	362	406	30	12	25
350	476	353	35	12	29

W1: pump weight
 W2: suction elbow weight
 W3: water in pump

Dimensions: inch

Model (Pole)	HP	Pump & Motor														Weight (Lbs.) †1			
		d1	d2	C	E	F	G	H	I	K1	K2	M	R	S	V	q	W1	W2	W3
E1152-1180L (6 Poles)	40	14	10	62 ³ / ₁₆	16 ³ / ₄	24 ⁷ / ₁₆	37 ³ / ₈	25 ³ / ₁₆	19 ⁵ / ₁₆	17 ¹¹ / ₁₆	17 ¹¹ / ₁₆	29 ¹ / ₈	37 ¹³ / ₁₆	31 ¹ / ₂	17 ¹¹ / ₁₆	15 ¹⁵ / ₁₆	2888	419	441
	50	14	10	62 ³ / ₁₆	16 ³ / ₄	24 ⁷ / ₁₆	37 ³ / ₈	25 ³ / ₁₆	19 ⁵ / ₁₆	17 ¹¹ / ₁₆	17 ¹¹ / ₁₆	29 ¹ / ₈	37 ¹³ / ₁₆	31 ¹ / ₂	17 ¹¹ / ₁₆	15 ¹⁵ / ₁₆	2932	419	441
	60	14	10	66 ¹ / ₈	16 ³ / ₄	24 ⁷ / ₁₆	37 ³ / ₈	25 ³ / ₁₆	19 ⁵ / ₁₆	17 ¹¹ / ₁₆	17 ¹¹ / ₁₆	29 ¹ / ₈	37 ¹³ / ₁₆	31 ¹ / ₂	17 ¹¹ / ₁₆	15 ¹⁵ / ₁₆	2998	419	441

Dimensions: mm

Model (Pole)	KW	Pump & Motor														Weight (kgf) †1			
		d1	d2	C	E	F	G	H	I	K1	K2	M	R	S	V	q	W1	W2	W3
E1152-1180L (6 Poles)	30	350	250	1580	425	620	950	640	490	450	450	740	960	800	450	24	1310	190	200
	37	350	250	1580	425	620	950	640	490	450	450	740	960	800	450	24	1330	190	200
	45	350	250	1680	425	620	950	640	490	450	450	740	960	800	450	24	1360	190	200

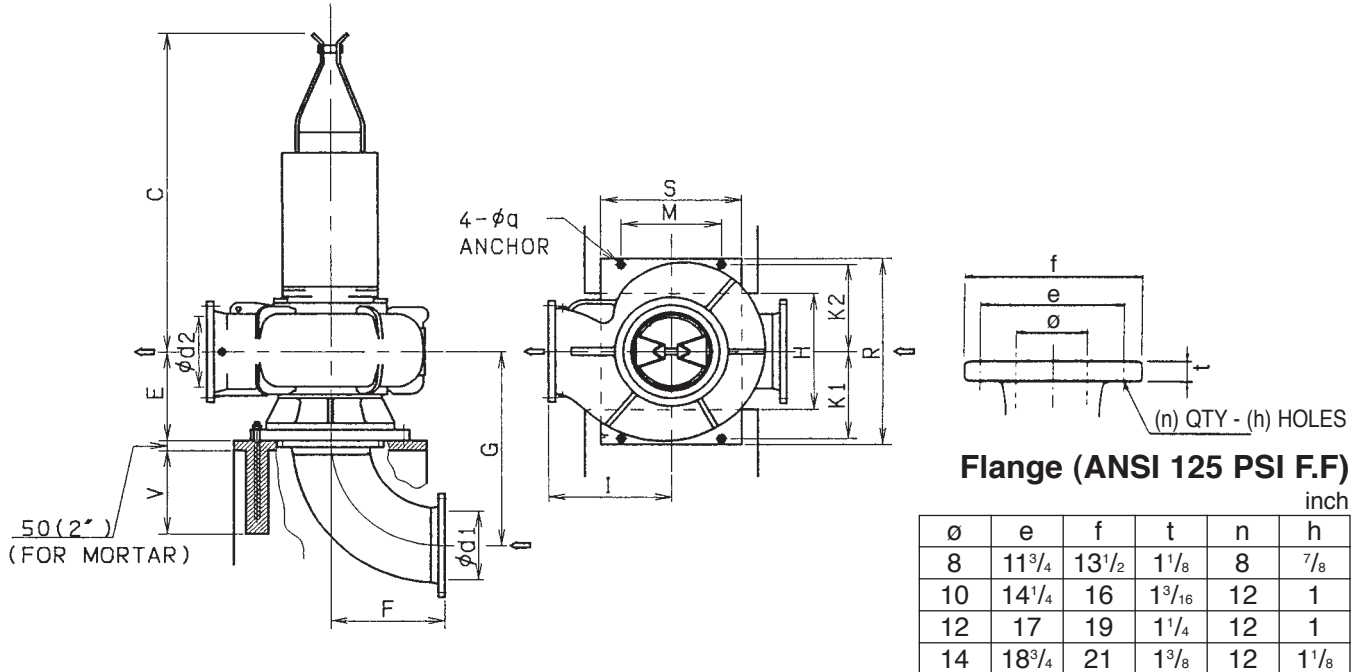
Dimensions are Approximate

† Note: Includes weight of 33 ft. standard length cables.

Dimensions

Project: _____ Model: _____ Chk'd: _____ Date: _____

Model DSCA3 Drypit Application
300x200DSCA3 E1052
350x250DSCA3 E1152



Flange (ANSI 125 PSI F.F)

inch

ø	e	f	t	n	h
8	11 ³ / ₄	13 ¹ / ₂	1 ¹ / ₈	8	7 ⁷ / ₈
10	14 ¹ / ₄	16	1 ³ / ₁₆	12	1
12	17	19	1 ¹ / ₄	12	1
14	18 ³ / ₄	21	1 ³ / ₈	12	1 ¹ / ₈

mm

ø	e	f	t	n	h
200	298	343	29	8	22
250	362	406	30	12	25
300	432	483	32	12	25
350	476	533	35	12	29

W1: pump weight

W2: suction elbow weight

W3: water in pump

Dimensions: inch

Model (Pole)	HP	Pump & Motor														Weight (Lbs.) †			
		d1	d2	C	E	F	G	H	I	K1	K2	M	R	S	V	q	W1	W2	W3
E1052-1760 (4 Poles)	75	12	8	62 ⁵ / ₈	15 ³ / ₈	23 ¹ / ₄	33 ¹ / ₁₆	20 ¹ / ₂	17 ¹¹ / ₁₆	15 ³ / ₄	15 ³ / ₄	27 ³ / ₁₆	33 ⁷ / ₈	29 ¹ / ₂	17 ¹¹ / ₁₆	15 ¹⁵ / ₁₆	2535	353	331
	100	12	8	66 ⁹ / ₁₆	15 ³ / ₈	23 ¹ / ₄	33 ¹ / ₁₆	20 ¹ / ₂	17 ¹¹ / ₁₆	15 ³ / ₄	15 ³ / ₄	27 ³ / ₁₆	33 ⁷ / ₈	29 ¹ / ₂	17 ¹¹ / ₁₆	15 ¹⁵ / ₁₆	2668	353	331
E1152-1770 (4 Poles)	120	14	10	81 ¹ / ₈	16 ³ / ₄	24 ⁷ / ₁₆	37 ³ / ₈	25 ³ / ₁₆	19 ⁵ / ₁₆	17 ¹¹ / ₁₆	17 ¹¹ / ₁₆	29 ¹ / ₈	37 ¹³ / ₁₆	31 ¹ / ₂	17 ¹¹ / ₁₆	15 ¹⁵ / ₁₆	3770	419	441
	145	14	10	81 ¹ / ₈	16 ³ / ₄	24 ⁷ / ₁₆	37 ³ / ₈	25 ³ / ₁₆	19 ⁵ / ₁₆	17 ¹¹ / ₁₆	17 ¹¹ / ₁₆	29 ¹ / ₈	37 ¹³ / ₁₆	31 ¹ / ₂	17 ¹¹ / ₁₆	15 ¹⁵ / ₁₆	3902	419	441
	175	14	10	81 ¹ / ₈	16 ³ / ₄	24 ⁷ / ₁₆	37 ³ / ₈	25 ³ / ₁₆	19 ⁵ / ₁₆	17 ¹¹ / ₁₆	17 ¹¹ / ₁₆	29 ¹ / ₈	37 ¹³ / ₁₆	31 ¹ / ₂	17 ¹¹ / ₁₆	15 ¹⁵ / ₁₆	3968	419	441

Dimensions: mm

Model (Pole)	KW	Pump & Motor														Weight (kgf) †			
		d1	d2	C	E	F	G	H	I	K1	K2	M	R	S	V	q	W1	W2	W3
E1052-1760 (4 Poles)	55	300	200	1590	390	590	840	520	450	400	400	690	860	750	450	24	1150	160	150
	75	300	200	1690	390	590	840	520	450	400	400	690	860	750	450	24	1210	160	150
E1152-1770 (4 Poles)	90	350	250	2060	425	620	950	640	490	450	450	740	960	800	450	24	1720	190	200
	110	350	250	2060	425	620	950	640	490	450	450	740	960	800	450	24	1750	190	200
	132	350	250	2060	425	620	950	640	490	450	450	740	960	800	450	24	1790	190	200

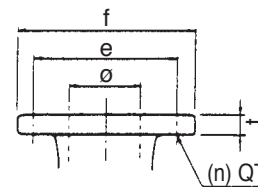
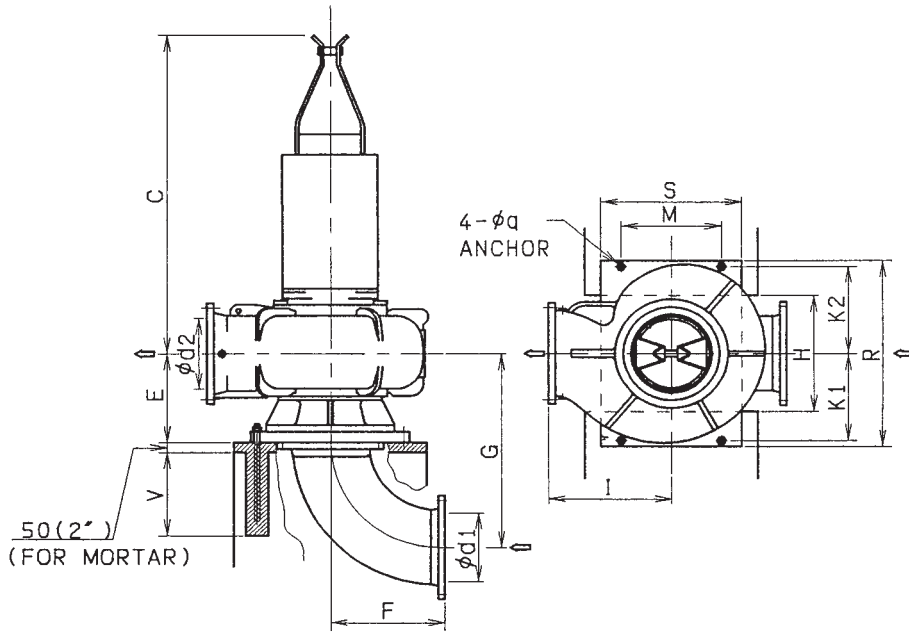
Dimensions are Approximate

† Note: Includes weight of 33 ft. standard length cables.

Dimensions

Project: _____ Model: _____ Chk'd: _____ Date: _____

**Model DSCA3 Drypit Application
400x250DSCA3 E1262**



Flange (ANSI 125 PSI F.F)

inch					
ø	e	f	t	n	h
10	11 ¹ / ₄	16	1 ³ / ₁₆	12	1
16	21 ¹ / ₄	23 ¹ / ₂	1 ⁷ / ₁₆	16	1 ¹ / ₈

mm					
ø	e	f	t	n	h
250	362	406	30	12	25
400	540	597	37	16	29

W1: pump weight
W2: suction elbow weight
W3: water in pump

Dimensions: inch

Model (Pole)	HP	Pump & Motor														Weight (Lbs.) †1			
		d1	d2	C	E	F	G	H	I	K1	K2	M	R	S	V	q	W1	W2	W3
E1262-1180L (6 Poles)	60	16	10	66 ⁹ / ₁₆	18 ¹ / ₂	25 ³ / ₁₆	42 ¹ / ₈	26 ³ / ₄	21 ¹ / ₁₆	19 ¹¹ / ₁₆	19 ¹¹ / ₁₆	31 ¹ / ₈	41 ³ / ₄	33 ⁷ / ₁₆	17 ¹¹ / ₁₆	15 ¹ / ₁₆	3329	507	595
	75	16	10	66 ⁹ / ₁₆	18 ¹ / ₂	25 ³ / ₁₆	42 ¹ / ₈	26 ³ / ₄	21 ¹ / ₁₆	19 ¹¹ / ₁₆	19 ¹¹ / ₁₆	31 ¹ / ₈	41 ³ / ₄	33 ⁷ / ₁₆	17 ¹¹ / ₁₆	15 ¹ / ₁₆	3329	507	595
	100	16	10	75 ³ / ₁₆	18 ¹ / ₂	25 ³ / ₁₆	42 ¹ / ₈	26 ³ / ₄	21 ¹ / ₁₆	19 ¹¹ / ₁₆	19 ¹¹ / ₁₆	31 ¹ / ₈	41 ³ / ₄	33 ⁷ / ₁₆	17 ¹¹ / ₁₆	15 ¹ / ₁₆	3968	507	595

Dimensions: mm

Model (Pole)	KW	Pump & Motor														Weight (kgf) †1			
		d1	d2	C	E	F	G	H	I	K1	K2	M	R	S	V	q	W1	W2	W3
E1262-1180L (6 Poles)	45	400	250	1690	470	640	1070	680	535	500	500	790	1060	850	450	24	1510	230	270
	55	400	250	1690	470	640	1070	680	535	500	500	790	1060	850	450	24	1510	230	270
	75	400	250	1910	470	640	1070	680	535	500	500	790	1060	850	450	24	1800	230	270

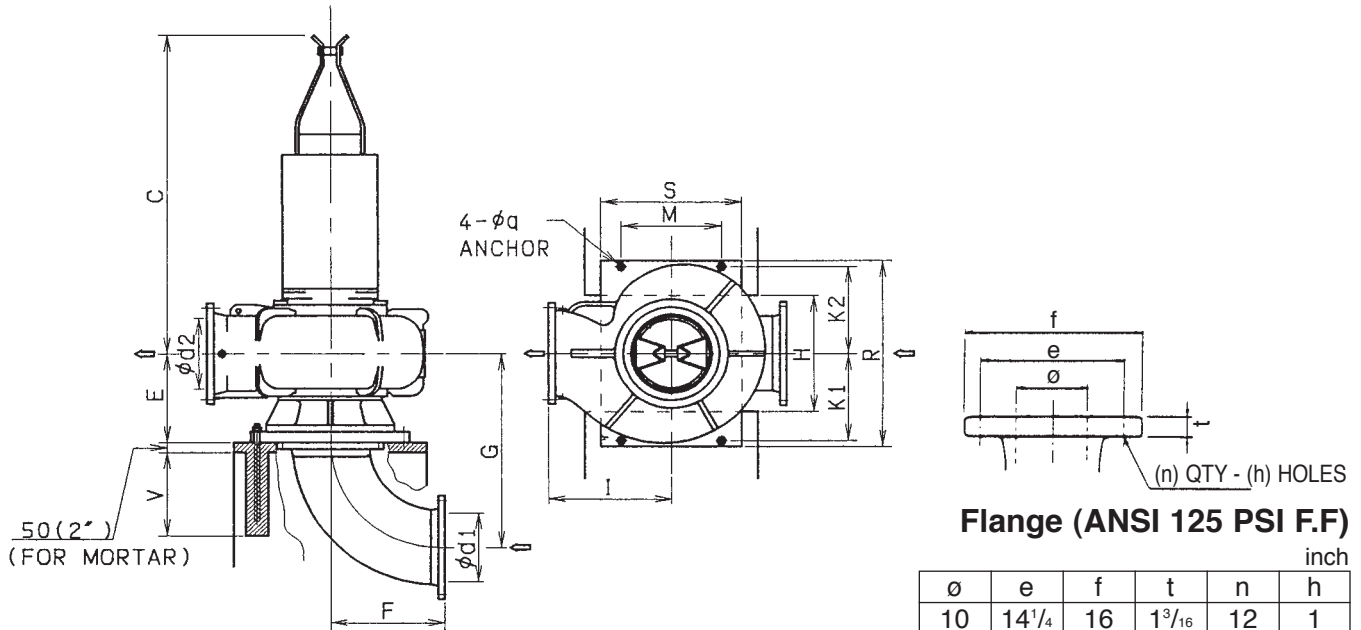
Dimensions are Approximate

† Note: Includes weight of 33 ft. standard length cables.

Dimensions

Project: _____ Model: _____ Chk'd: _____ Date: _____

Model DSCA3 Drypit Application
400x250DSCA3 E1262



Flange (ANSI 125 PSI F.F)

inch					
ø	e	f	t	n	h
10	14 ¹ / ₄	16	1 ³ / ₁₆	12	1
16	21 ¹ / ₄	23 ¹ / ₂	1 ⁷ / ₁₆	16	1 ¹ / ₈

mm					
ø	e	f	t	n	h
250	362	406	30	12	25
400	540	597	37	16	29

W1: pump weight
 W2: suction elbow weight
 W3: water in pump

Dimensions: inch

Model (Pole)	HP	Pump & Motor														Weight (Lbs.) †			
		d1	d2	C	E	F	G	H	I	K1	K2	M	R	S	V	q	W1	W2	W3
E1262-1780 (4 Poles)	175	16	10	81 ¹ / ₈	18 ¹ / ₂	25 ³ / ₁₆	42 ¹ / ₈	26 ³ / ₄	21 ¹ / ₁₆	19 ¹¹ / ₁₆	19 ¹¹ / ₁₆	31 ¹ / ₈	41 ³ / ₄	33 ⁷ / ₁₆	17 ¹¹ / ₁₆	15 ¹⁵ / ₁₆	4255	507	595
	200	16	10	94 ¹ / ₂	18 ¹ / ₂	25 ³ / ₁₆	42 ¹ / ₈	26 ³ / ₄	21 ¹ / ₁₆	19 ¹¹ / ₁₆	19 ¹¹ / ₁₆	31 ¹ / ₈	41 ³ / ₄	33 ⁷ / ₁₆	17 ¹¹ / ₁₆	15 ¹⁵ / ₁₆	5600	507	595
	215	16	10	98 ⁷ / ₁₆	18 ¹ / ₂	25 ³ / ₁₆	42 ¹ / ₈	26 ³ / ₄	21 ¹ / ₁₆	19 ¹¹ / ₁₆	19 ¹¹ / ₁₆	31 ¹ / ₈	41 ³ / ₄	33 ⁷ / ₁₆	17 ¹¹ / ₁₆	15 ¹⁵ / ₁₆	5820	507	595
	245	16	10	98 ⁷ / ₁₆	18 ¹ / ₂	25 ³ / ₁₆	42 ¹ / ₈	26 ³ / ₄	21 ¹ / ₁₆	19 ¹¹ / ₁₆	19 ¹¹ / ₁₆	31 ¹ / ₈	41 ³ / ₄	33 ⁷ / ₁₆	17 ¹¹ / ₁₆	15 ¹⁵ / ₁₆	6063	507	595
	265	16	10	98 ⁷ / ₁₆	18 ¹ / ₂	25 ³ / ₁₆	42 ¹ / ₈	26 ³ / ₄	21 ¹ / ₁₆	19 ¹¹ / ₁₆	19 ¹¹ / ₁₆	31 ¹ / ₈	41 ³ / ₄	33 ⁷ / ₁₆	17 ¹¹ / ₁₆	15 ¹⁵ / ₁₆	6195	507	595

Dimensions: mm

Model (Pole)	KW	Pump & Motor														Weight (kgf) †			
		d1	d2	C	E	F	G	H	I	K1	K2	M	R	S	V	q	W1	W2	W3
E1262-1780 (4 Poles)	132	400	250	2060	470	640	1070	680	535	500	500	790	1060	850	450	24	1930	230	270
	150	400	250	2400	470	640	1070	680	535	500	500	790	1060	850	450	24	2540	230	270
	160	400	250	2500	470	640	1070	680	535	500	500	790	1060	850	450	24	2640	230	270
	185	400	250	2500	470	640	1070	680	535	500	500	790	1060	850	450	24	2750	230	270
	200	400	250	2500	470	640	1070	680	535	500	500	790	1060	850	450	24	2810	230	270

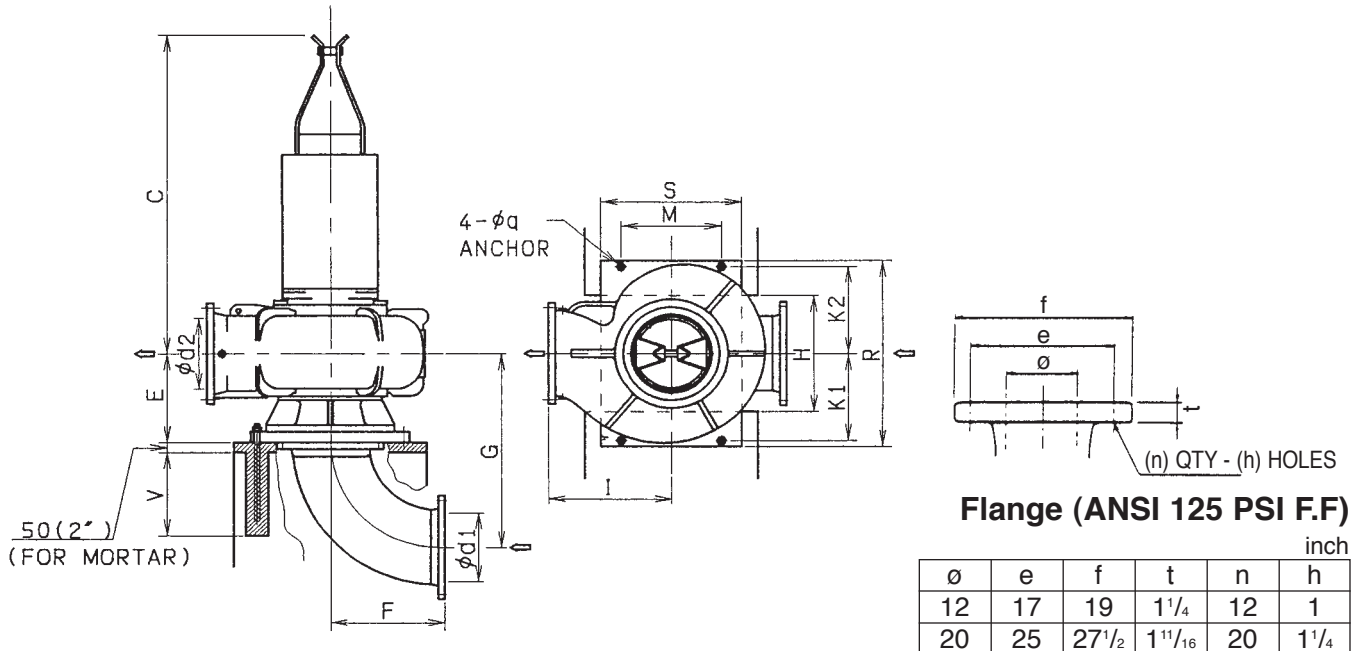
Dimensions are Approximate

† Note: Includes weight of 33 ft. standard length cables.

Dimensions

Project: _____ Model: _____ Chk'd: _____ Date: _____

**Model DSCA3 Drypit Application
500x300DSCA3 E1543**



Flange (ANSI 125 PSI F.F)

inch					
ø	e	f	t	n	h
12	17	19	1 ¹ / ₄	12	1
20	25	27 ¹ / ₂	1 ¹¹ / ₁₆	20	1 ¹ / ₄

mm					
ø	e	f	t	n	h
300	432	483	32	12	25
500	635	699	43	20	32

W1: pump weight
W2: suction elbow weight
W3: water in pump

Dimensions: inch

Model (Pole)	HP	Pump & Motor														Weight (Lbs.) †1			
		d1	d2	C	E	F	G	H	I	K1	K2	M	R	S	V	q	W1	W2	W3
E1543-1180 (6 Poles)	200	20	12	95 ¹ / ₄	21 ¹ / ₄	29 ¹ / ₂	50 ¹³ / ₁₆	31 ¹ / ₂	25 ¹³ / ₁₆	21 ⁵ / ₈	21 ⁵ / ₈	34 ⁵ / ₈	46 ¹ / ₁₆	37 ³ / ₈	22 ¹³ / ₁₆	1 ³ / ₁₆	6437	882	1124
	215	20	12	99 ³ / ₁₆	21 ¹ / ₄	29 ¹ / ₂	50 ¹³ / ₁₆	31 ¹ / ₂	25 ¹³ / ₁₆	21 ⁵ / ₈	21 ⁵ / ₈	34 ⁵ / ₈	46 ¹ / ₁₆	37 ³ / ₈	22 ¹³ / ₁₆	1 ³ / ₁₆	6856	882	1124
	245	20	12	99 ³ / ₁₆	21 ¹ / ₄	29 ¹ / ₂	50 ¹³ / ₁₆	31 ¹ / ₂	25 ¹³ / ₁₆	21 ⁵ / ₈	21 ⁵ / ₈	34 ⁵ / ₈	46 ¹ / ₁₆	37 ³ / ₈	22 ¹³ / ₁₆	1 ³ / ₁₆	6967	882	1124
	265	20	12	99 ³ / ₁₆	21 ¹ / ₄	29 ¹ / ₂	50 ¹³ / ₁₆	31 ¹ / ₂	25 ¹³ / ₁₆	21 ⁵ / ₈	21 ⁵ / ₈	34 ⁵ / ₈	46 ¹ / ₁₆	37 ³ / ₈	22 ¹³ / ₁₆	1 ³ / ₁₆	7077	882	1124
	295	20	12	106 ¹¹ / ₁₆	21 ¹ / ₄	29 ¹ / ₂	50 ¹³ / ₁₆	31 ¹ / ₂	25 ¹³ / ₁₆	21 ⁵ / ₈	21 ⁵ / ₈	34 ⁵ / ₈	46 ¹ / ₁₆	37 ³ / ₈	22 ¹³ / ₁₆	1 ³ / ₁₆	9568	882	1124
	335	20	12	106 ¹¹ / ₁₆	21 ¹ / ₄	29 ¹ / ₂	50 ¹³ / ₁₆	31 ¹ / ₂	25 ¹³ / ₁₆	21 ⁵ / ₈	21 ⁵ / ₈	34 ⁵ / ₈	46 ¹ / ₁₆	37 ³ / ₈	22 ¹³ / ₁₆	1 ³ / ₁₆	9855	882	1124

Dimensions: mm

Model (Pole)	KW	Pump & Motor														Weight (kgf) †1			
		d1	d2	C	E	F	G	H	I	K1	K2	M	R	S	V	q	W1	W2	W3
E1543-1180 (6 Poles)	150	500	300	2420	540	750	1290	800	655	550	550	880	1170	950	580	30	2920	400	510
	160	500	300	2520	540	750	1290	800	655	550	550	880	1170	950	580	30	3110	400	510
	185	500	300	2520	540	750	1290	800	655	550	550	880	1170	950	580	30	3160	400	510
	200	500	300	2520	540	750	1290	800	655	550	550	880	1170	950	580	30	3210	400	510
	220	500	300	2710	540	750	1290	800	655	550	550	880	1170	950	580	30	4340	400	510
	250	500	300	2710	540	750	1290	800	655	550	550	880	1170	950	580	30	4470	400	510

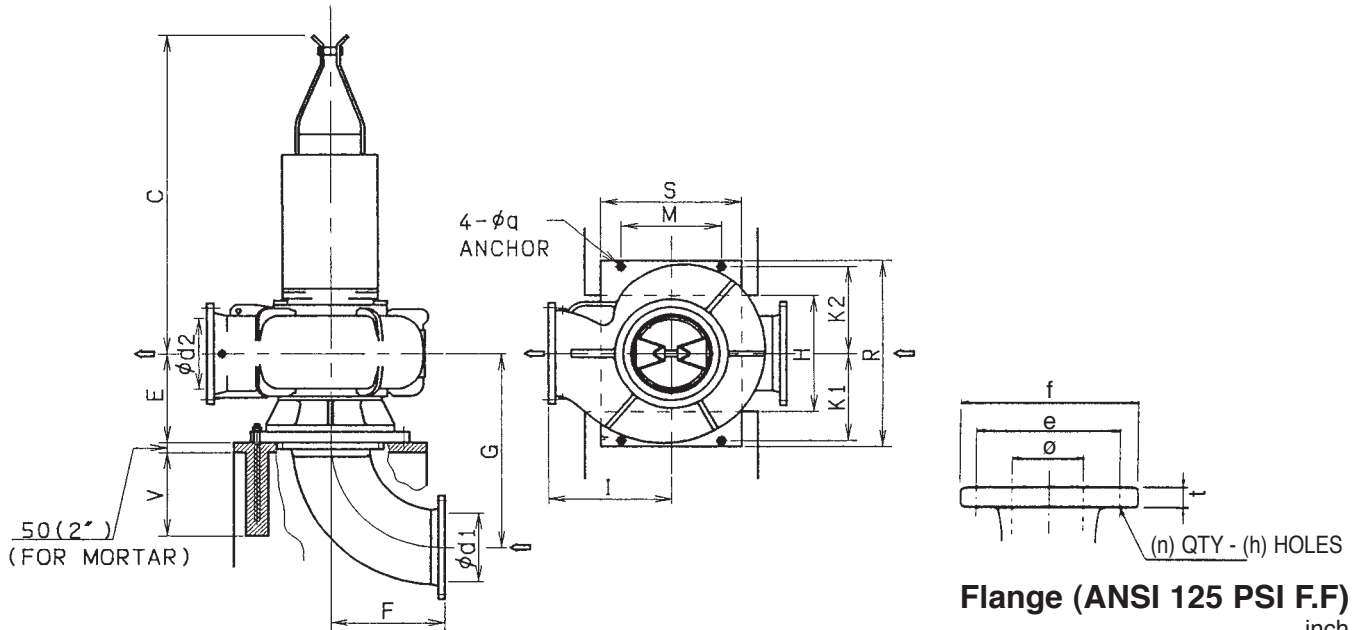
Dimensions are Approximate

† Note: Includes weight of 33 ft. standard length cables.

Dimensions

Project: _____ Model: _____ Chk'd: _____ Date: _____

Model DSCA3 Drypit Application
750x500DSCA3 E2244



Flange (ANSI 125 PSI F.F)

inch					
ø	e	f	t	n	h
20	25	27 ¹ / ₂	1 ¹¹ / ₁₆	20	1 ¹ / ₄
30	36	38 ³ / ₄	2 ¹ / ₈	28	1 ³ / ₈

mm					
ø	e	f	t	n	h
500	635	699	43	20	32
750	914	984	54	28	35

W1: pump weight
W2: suction elbow weight
W3: water in pump

Dimensions: inch

Model (Pole)	HP	Pump & Motor														Weight (Lbs.) †			
		d1	d2	C	E	F	G	H	I	K1	K2	M	R	S	V	q	W1	W2	W3
E2244-885 (8 Poles)	245	30	20	101 ⁹ / ₁₆	26 ⁵ / ₁₆	44 ⁵ / ₁₆	71 ¹ / ₄	44 ¹ / ₈	35 ⁵ / ₈	29 ¹⁵ / ₁₆	29 ¹⁵ / ₁₆	46 ¹ / ₁₆	63	49 ⁹ / ₁₆	29 ¹ / ₂	17 ¹ / ₁₆	10935	1918	2932
	265	30	20	101 ⁹ / ₁₆	26 ⁵ / ₁₆	44 ⁵ / ₁₆	71 ¹ / ₄	44 ¹ / ₈	35 ⁵ / ₈	29 ¹⁵ / ₁₆	29 ¹⁵ / ₁₆	46 ¹ / ₁₆	63	49 ⁹ / ₁₆	29 ¹ / ₂	17 ¹ / ₁₆	11133	1918	2932
	295	30	20	101 ⁹ / ₁₆	26 ⁵ / ₁₆	44 ⁵ / ₁₆	71 ¹ / ₄	44 ¹ / ₈	35 ⁵ / ₈	29 ¹⁵ / ₁₆	29 ¹⁵ / ₁₆	46 ¹ / ₁₆	63	49 ⁹ / ₁₆	29 ¹ / ₂	17 ¹ / ₁₆	11133	1918	2932
	335	30	20	109 ⁷ / ₁₆	26 ⁵ / ₁₆	44 ⁵ / ₁₆	71 ¹ / ₄	44 ¹ / ₈	35 ⁵ / ₈	29 ¹⁵ / ₁₆	29 ¹⁵ / ₁₆	46 ¹ / ₁₆	63	49 ⁹ / ₁₆	29 ¹ / ₂	17 ¹ / ₁₆	11751	1918	2932
	375	30	20	109 ⁷ / ₁₆	26 ⁵ / ₁₆	44 ⁵ / ₁₆	71 ¹ / ₄	44 ¹ / ₈	35 ⁵ / ₈	29 ¹⁵ / ₁₆	29 ¹⁵ / ₁₆	46 ¹ / ₁₆	63	49 ⁹ / ₁₆	29 ¹ / ₂	17 ¹ / ₁₆	11927	1918	2932

Dimensions: mm

Model (Pole)	KW	Pump & Motor														Weight (kg) †			
		d1	d2	C	E	F	G	H	I	K1	K2	M	R	S	V	q	W1	W2	W3
E2244-885 (8 Poles)	185	750	500	2580	685	1125	1810	1120	905	760	760	1170	1600	1250	750	36	4960	870	1330
	200	750	500	2580	685	1125	1810	1120	905	760	760	1170	1600	1250	750	36	5050	870	1330
	220	750	500	2580	685	1125	1810	1120	905	760	760	1170	1600	1250	750	36	5050	870	1330
	250	750	500	2780	685	1125	1810	1120	905	760	760	1170	1600	1250	750	36	5330	870	1330
	280	750	500	2780	685	1125	1810	1120	905	760	760	1170	1600	1250	750	36	5410	870	1330

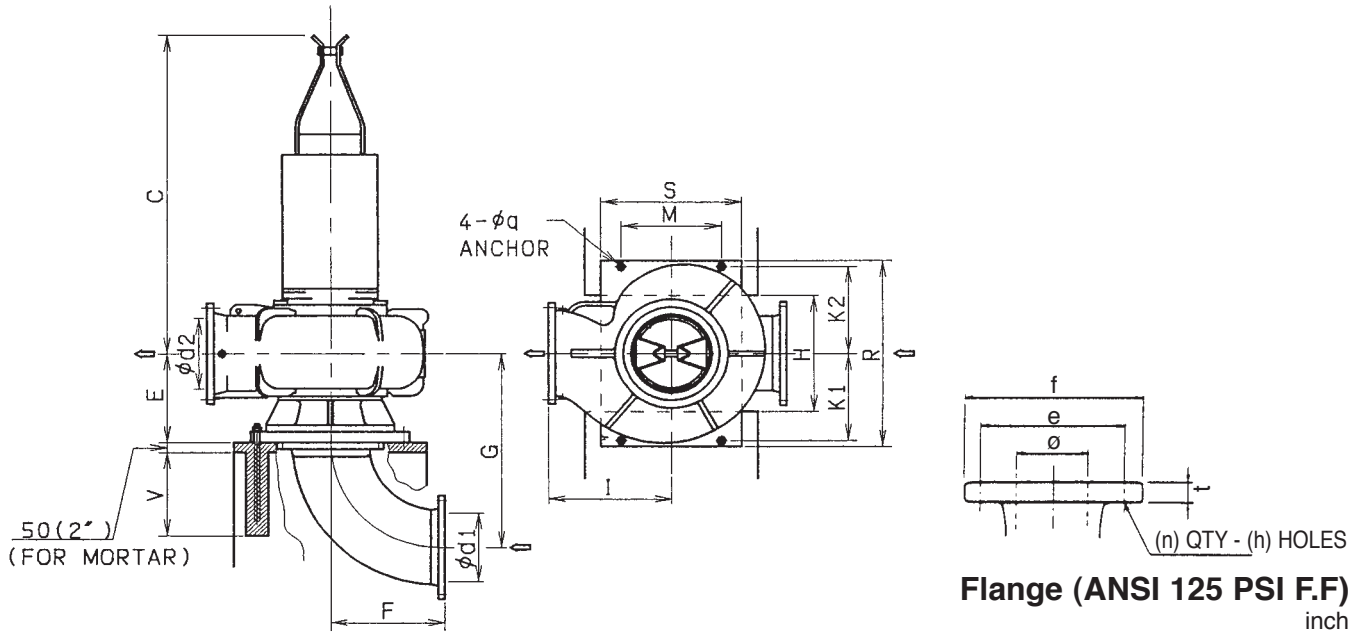
Dimensions are Approximate

† Note: Includes weight of 33 ft. standard length cables.

Dimensions

Project: _____ Model: _____ Chk'd: _____ Date: _____

**Model DSCA3 Drypit Application
750x500DSCA3 E2424**



Flange (ANSI 125 PSI F.F)

inch					
ø	e	f	t	n	h
20	25	27 1/2	1 11/16	20	1 1/4
30	36	38 3/4	2 1/8	28	1 3/8

mm					
ø	e	f	t	n	h
500	635	699	43	20	32
750	914	984	54	28	35

W1: pump weight
W2: suction elbow weight
W3: water in pump

Dimensions: inch

Model (Pole)	HP	Pump & Motor														Weight (Lbs.) †1			
		d1	d2	C	E	F	G	H	I	K1	K2	M	R	S	V	q	W1	W2	W3
E2424-885 (8 Poles)	375	30	20	109 13/16	27 3/4	44 5/16	72 1/16	44 1/8	38 3/8	29 15/16	29 15/16	46 1/16	63	49 9/16	29 1/2	17 1/16	12588	1918	3241
	422	Contact EBARA																	
	475																		
	535																		
	600																		

Dimensions: mm

Model (Pole)	KW	Pump & Motor														Weight (kgf) †1			
		d1	d2	C	E	F	G	H	I	K1	K2	M	R	S	V	q	W1	W2	W3
E2424-885 (8 Poles)	280	750	500	2790	705	1125	1830	1120	975	760	760	1170	1600	1250	750	36	5710	870	1470
	315	Contact EBARA																	
	355																		
	400																		
	450																		

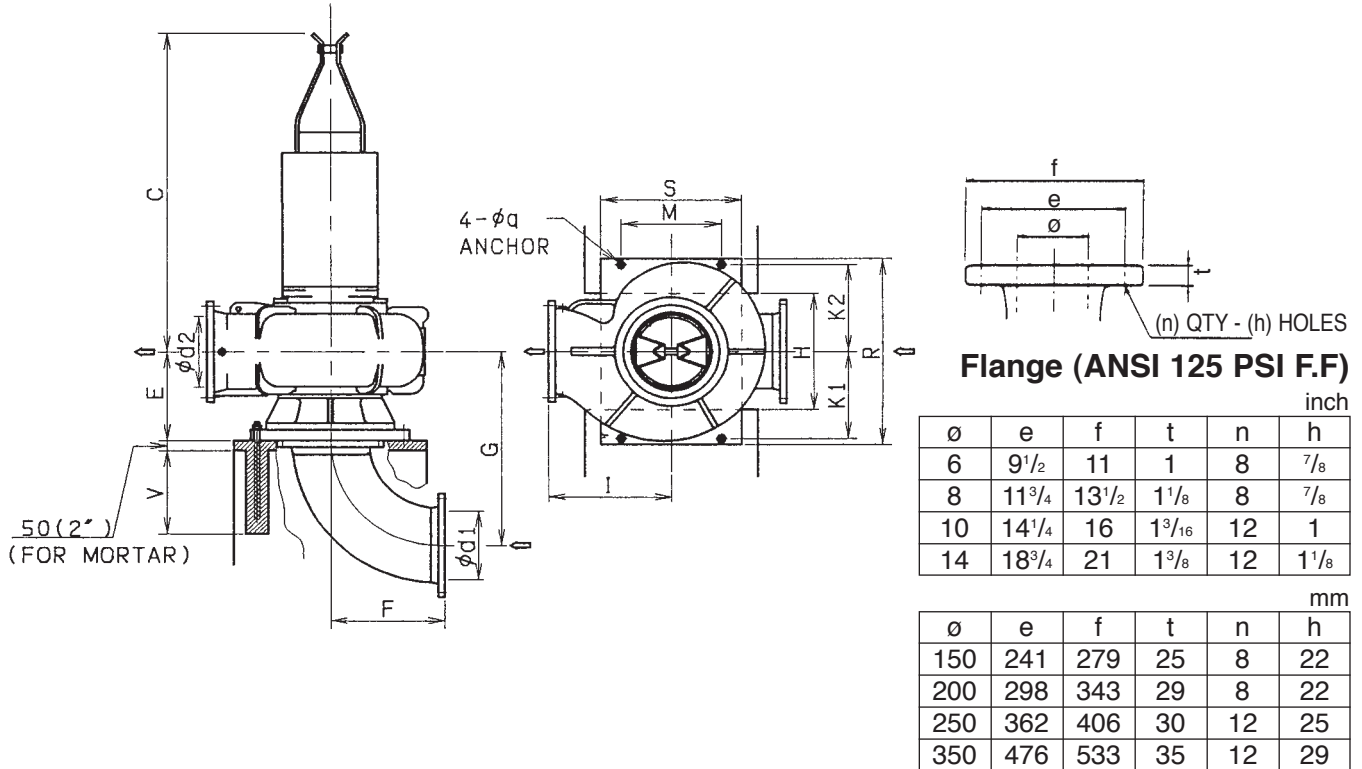
Dimensions are Approximate

† Note: Includes weight of 33 ft. standard length cables.

Dimensions

Project: _____ Model: _____ Chk'd: _____ Date: _____

Model DSCA3 Drypit Application
250x150DSCA3 F0852
350x200DSCA3 F1102



W1: pump weight
W2: suction elbow weight
W3: water in pump

Dimensions: inch

Model (Pole)	HP	Pump & Motor														Weight (Lbs.) †1			
		d1	d2	C	E	F	G	H	I	K1	K2	M	R	S	V	q	W1	W2	W3
F0852-1760 (4 Poles)	40	Contact EBARA																	
	50	10	6	63	13 ³ / ₁₆	22 ⁷ / ₁₆	27 ¹⁵ / ₁₆	16 ¹⁵ / ₁₆	14	13 ³ / ₄	13 ³ / ₄	25 ³ / ₁₆	29 ¹⁵ / ₁₆	27 ⁹ / ₁₆	17 ¹¹ / ₁₆	15 ¹⁵ / ₁₆	2116	287	176
	60	10	6	63	13 ³ / ₁₆	22 ⁷ / ₁₆	27 ¹⁵ / ₁₆	16 ¹⁵ / ₁₆	14	13 ³ / ₄	13 ³ / ₄	25 ³ / ₁₆	29 ¹⁵ / ₁₆	27 ⁹ / ₁₆	17 ¹¹ / ₁₆	15 ¹⁵ / ₁₆	2161	287	176
F1102-1780 (4 Poles)	120	14	8	81 ¹ / ₈	16 ³ / ₄	24 ⁷ / ₁₆	37 ³ / ₈	25 ³ / ₁₆	17 ¹¹ / ₁₆	17 ¹¹ / ₁₆	17 ¹¹ / ₁₆	29 ¹ / ₈	37 ¹³ / ₁₆	31 ¹ / ₂	17 ¹¹ / ₁₆	15 ¹⁵ / ₁₆	3660	419	397
	145	14	8	81 ¹ / ₈	16 ³ / ₄	24 ⁷ / ₁₆	37 ³ / ₈	25 ³ / ₁₆	17 ¹¹ / ₁₆	17 ¹¹ / ₁₆	17 ¹¹ / ₁₆	29 ¹ / ₈	37 ¹³ / ₁₆	31 ¹ / ₂	17 ¹¹ / ₁₆	15 ¹⁵ / ₁₆	3726	419	397
	175	14	8	81 ¹ / ₈	16 ³ / ₄	24 ⁷ / ₁₆	37 ³ / ₈	25 ³ / ₁₆	17 ¹¹ / ₁₆	17 ¹¹ / ₁₆	17 ¹¹ / ₁₆	29 ¹ / ₈	37 ¹³ / ₁₆	31 ¹ / ₂	17 ¹¹ / ₁₆	15 ¹⁵ / ₁₆	3814	419	397
	200	14	8	95 ¹¹ / ₁₆	16 ³ / ₄	24 ⁷ / ₁₆	37 ³ / ₈	25 ³ / ₁₆	17 ¹¹ / ₁₆	17 ¹¹ / ₁₆	17 ¹¹ / ₁₆	29 ¹ / ₈	37 ¹³ / ₁₆	31 ¹ / ₂	17 ¹¹ / ₁₆	15 ¹⁵ / ₁₆	5159	419	397
	215	14	8	99 ⁵ / ₈	16 ³ / ₄	24 ⁷ / ₁₆	37 ³ / ₈	25 ³ / ₁₆	17 ¹¹ / ₁₆	17 ¹¹ / ₁₆	17 ¹¹ / ₁₆	29 ¹ / ₈	37 ¹³ / ₁₆	31 ¹ / ₂	17 ¹¹ / ₁₆	15 ¹⁵ / ₁₆	5379	419	397

Dimensions: mm

Model (Pole)	KW	Pump & Motor														Weight (kgf) †1			
		d1	d2	C	E	F	G	H	I	K1	K2	M	R	S	V	q	W1	W2	W3
F0852-1760 (4 Poles)	30	Contact EBARA																	
	37	250	150	1600	335	570	710	430	355	350	350	640	760	700	450	24	960	130	80
	45	250	150	1600	335	570	710	430	355	350	350	640	760	700	450	24	980	130	80
F1102-1780 (4 Poles)	90	350	200	2060	425	620	950	640	450	450	450	740	960	800	450	24	1660	190	180
	110	350	200	2060	425	620	950	640	450	450	450	740	960	800	450	24	1690	190	180
	132	350	200	2060	425	620	950	640	450	450	450	740	960	800	450	24	1730	190	180
	150	350	200	2430	425	620	950	640	450	450	450	740	960	800	450	24	2340	190	180
	160	350	200	2530	425	620	950	640	450	450	450	740	960	800	450	24	2440	190	180

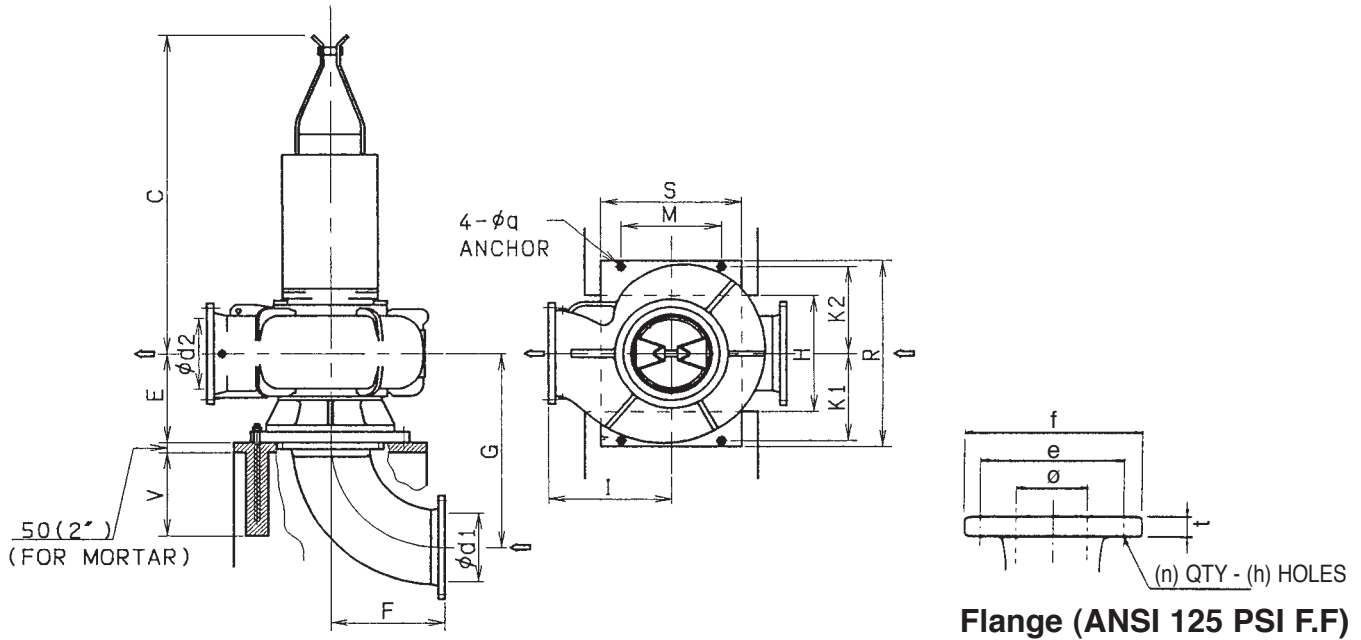
Dimensions are Approximate

† Note: Includes weight of 33 ft. standard length cables.

Dimensions

Project: _____ Model: _____ Chk'd: _____ Date: _____

Model DSCA3 Drypit Application
400x250DSCA3 F1302



Flange (ANSI 125 PSI F.F)

inch					
ϕ	e	f	t	n	h
10	14 ¹ / ₄	16	1 ³ / ₁₆	12	1
16	21 ¹ / ₄	23 ¹ / ₂	1 ⁷ / ₁₆	16	1 ¹ / ₈

mm					
ϕ	e	f	t	n	h
250	362	406	30	12	25
400	540	597	37	16	29

W1: pump weight
 W2: suction elbow weight
 W3: water in pump

Dimensions: inch

Model (Pole)	HP	Pump & Motor														Weight (Lbs.) †			
		d1	d2	C	E	F	G	H	I	K1	K2	M	R	S	V	q	W1	W2	W3
F1302-1180L (6 Poles)	100	16	10	74 ¹³ / ₁₆	18 ¹ / ₂	25 ⁵ / ₁₆	42 ¹ / ₈	26 ³ / ₄	20 ¹ / ₂	19 ¹¹ / ₁₆	19 ¹¹ / ₁₆	31 ¹ / ₈	41 ⁹ / ₄	33 ⁷ / ₁₆	17 ¹¹ / ₁₆	15 ¹ / ₁₆	4343	507	573
	120	16	10	74 ¹³ / ₁₆	18 ¹ / ₂	25 ⁵ / ₁₆	42 ¹ / ₈	26 ³ / ₄	20 ¹ / ₂	19 ¹¹ / ₁₆	19 ¹¹ / ₁₆	31 ¹ / ₈	41 ⁹ / ₄	33 ⁷ / ₁₆	17 ¹¹ / ₁₆	15 ¹ / ₁₆	4431	507	573
	145	16	10	80 ¹¹ / ₁₆	18 ¹ / ₂	25 ⁵ / ₁₆	42 ¹ / ₈	26 ³ / ₄	20 ¹ / ₂	19 ¹¹ / ₁₆	19 ¹¹ / ₁₆	31 ¹ / ₈	41 ⁹ / ₄	33 ⁷ / ₁₆	17 ¹¹ / ₁₆	15 ¹ / ₁₆	4564	507	573
	175	16	10	94 ⁷ / ₈	18 ¹ / ₂	25 ⁵ / ₁₆	42 ¹ / ₈	26 ³ / ₄	20 ¹ / ₂	19 ¹¹ / ₁₆	19 ¹¹ / ₁₆	31 ¹ / ₈	41 ⁹ / ₄	33 ⁷ / ₁₆	17 ¹¹ / ₁₆	15 ¹ / ₁₆	5688	507	573

Dimensions: mm

Model (Pole)	KW	Pump & Motor														Weight (kgf) †			
		d1	d2	C	E	F	G	H	I	K1	K2	M	R	S	V	q	W1	W2	W3
F1302-1180L (6 Poles)	75	400	250	1900	470	640	1070	680	520	500	500	790	1060	850	450	24	1970	230	260
	90	400	250	1900	470	640	1070	680	520	500	500	790	1060	850	450	24	2010	230	260
	110	400	250	2050	470	640	1070	680	520	500	500	790	1060	850	450	24	2070	230	260
	132	400	250	2410	470	640	1070	680	520	500	500	790	1060	850	450	24	2580	230	260

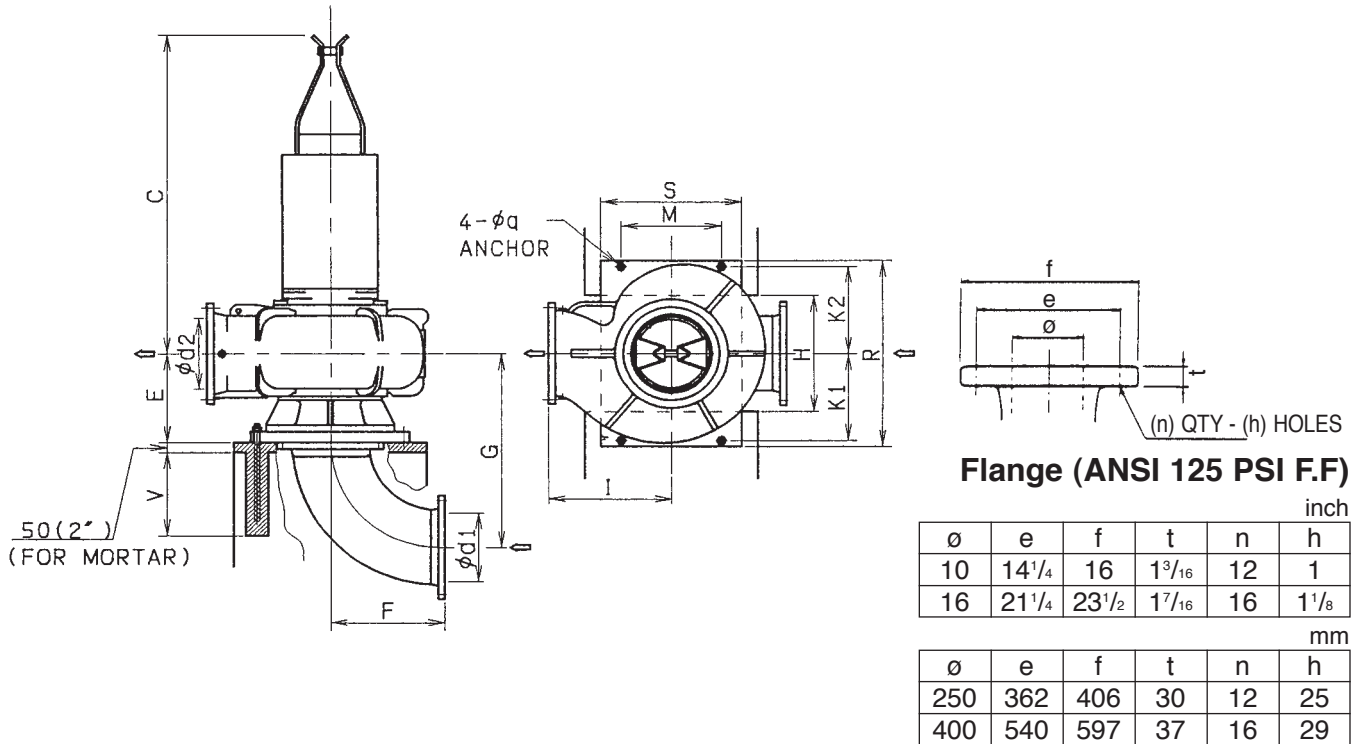
Dimensions are Approximate

† Note: Includes weight of 33 ft. standard length cables.

Dimensions

Project: _____ Model: _____ Chk'd: _____ Date: _____

Model DSCA3 Drypit Application
400x250DSCA3 F1302



W1: pump weight
 W2: suction elbow weight
 W3: water in pump

Dimensions: inch

Model (Pole)	HP	Pump & Motor														Weight (Lbs.) †1			
		d1	d2	C	E	F	G	H	I	K1	K2	M	R	S	V	q	W1	W2	W3
F1302-1780 (4 Poles)	265	16	10	98 ¹³ / ₁₆	18 ¹ / ₂	25 ³ / ₁₆	42 ¹ / ₈	26 ³ / ₄	20 ¹ / ₂	19 ¹¹ / ₁₆	19 ¹¹ / ₁₆	31 ¹ / ₈	41 ³ / ₄	33 ⁷ / ₁₆	17 ¹¹ / ₁₆	15 ⁵ / ₁₆	6482	507	573
	295	16	10	98 ¹³ / ₁₆	18 ¹ / ₂	25 ³ / ₁₆	42 ¹ / ₈	26 ³ / ₄	20 ¹ / ₂	19 ¹¹ / ₁₆	19 ¹¹ / ₁₆	31 ¹ / ₈	41 ³ / ₄	33 ⁷ / ₁₆	17 ¹¹ / ₁₆	15 ⁵ / ₁₆	6592	507	573
	335	16	10	105 ¹ / ₂	18 ¹ / ₂	25 ³ / ₁₆	42 ¹ / ₈	26 ³ / ₄	20 ¹ / ₂	19 ¹¹ / ₁₆	19 ¹¹ / ₁₆	31 ¹ / ₈	41 ³ / ₄	33 ⁷ / ₁₆	17 ¹¹ / ₁₆	15 ⁵ / ₁₆	8995	507	573
	375	16	10	105 ¹ / ₂	18 ¹ / ₂	25 ³ / ₁₆	42 ¹ / ₈	26 ³ / ₄	20 ¹ / ₂	19 ¹¹ / ₁₆	19 ¹¹ / ₁₆	31 ¹ / ₈	41 ³ / ₄	33 ⁷ / ₁₆	17 ¹¹ / ₁₆	15 ⁵ / ₁₆	9149	507	573
	422	Contact EBARA																	
	475																		
535																			

Dimensions: mm

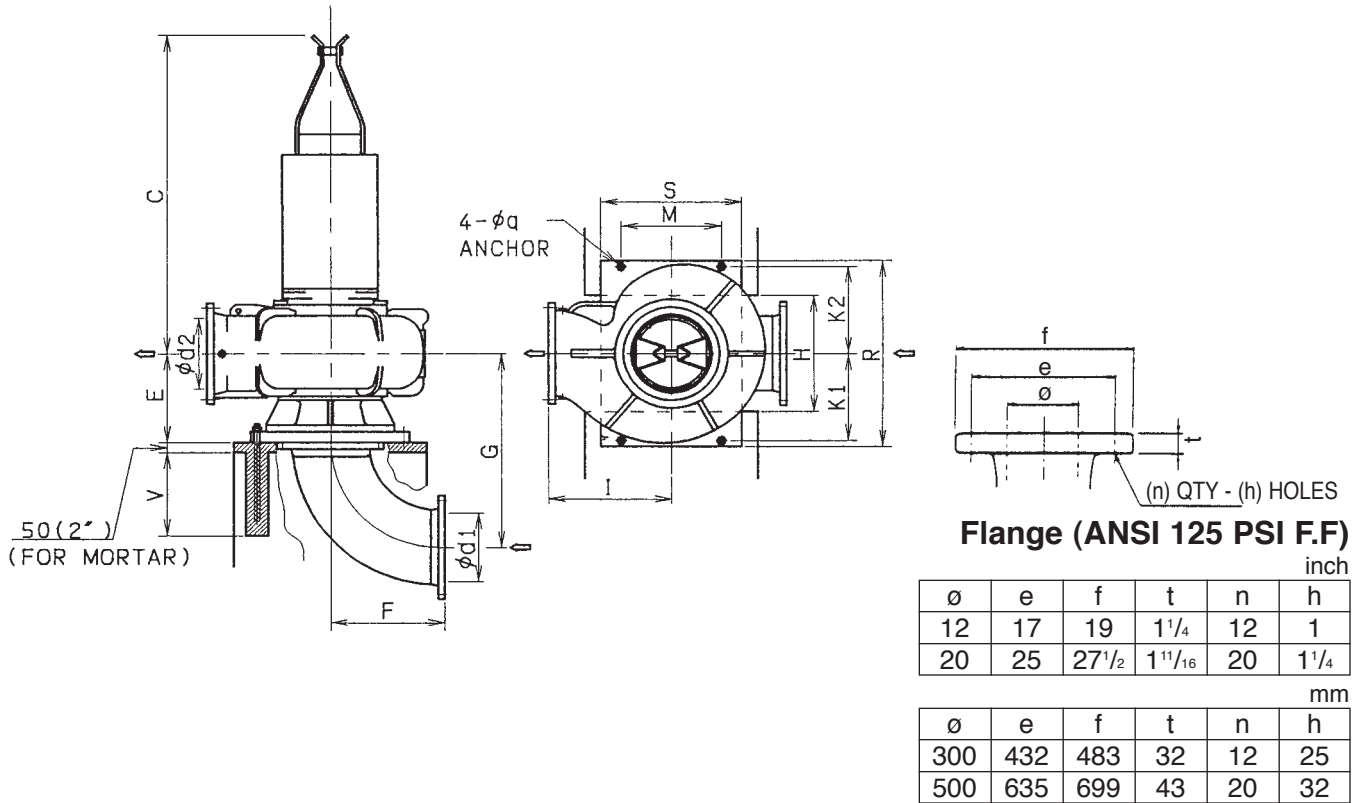
Model (Pole)	KW	Pump & Motor														Weight (kgf) †1			
		d1	d2	C	E	F	G	H	I	K1	K2	M	R	S	V	q	W1	W2	W3
F1302-1780 (4 Poles)	200	400	250	2510	470	640	1070	680	520	500	500	790	1060	850	450	24	2940	230	260
	220	400	250	2510	470	640	1070	680	520	500	500	790	1060	850	450	24	2990	230	260
	250	400	250	2680	470	640	1070	680	520	500	500	790	1060	850	450	24	4080	230	260
	280	400	250	2680	470	640	1070	680	520	500	500	790	1060	850	450	24	4150	230	260
	315	Contact EBARA																	
	355																		
400																			

Dimensions are Approximate

Dimensions

Project: _____ Model: _____ Chk'd: _____ Date: _____

**Model DSCA3 Drypit Application
500x300DSCA3 F1593**



W1: pump weight
W2: suction elbow weight
W3: water in pump

Dimensions: inch

Model (Pole)	HP	Pump & Motor														Weight (Lbs.) †1			
		d1	d2	C	E	F	G	H	I	K1	K2	M	R	S	V	q	W1	W2	W3
F1593-1180 (6 Poles)	295	20	12	105 ¹ / ₂	21 ¹ / ₄	29 ¹ / ₂	50 ¹³ / ₁₆	31 ¹ / ₂	24 ⁵ / ₈	21 ⁵ / ₈	21 ⁵ / ₈	34 ⁵ / ₈	46 ¹ / ₁₆	37 ³ / ₈	22 ¹³ / ₁₆	1 ³ / ₁₆	9987	882	1102
	335	20	12	105 ¹ / ₂	21 ¹ / ₄	29 ¹ / ₂	50 ¹³ / ₁₆	31 ¹ / ₂	24 ⁵ / ₈	21 ⁵ / ₈	21 ⁵ / ₈	34 ⁵ / ₈	46 ¹ / ₁₆	37 ³ / ₈	22 ¹³ / ₁₆	1 ³ / ₁₆	10273	882	1102
	375	Contact EBARA																	
	422																		
	475																		
535	Contact EBARA																		

Dimensions: mm

Model (Pole)	KW	Pump & Motor														Weight (kgf) †1			
		d1	d2	C	E	F	G	H	I	K1	K2	M	R	S	V	q	W1	W2	W3
F1593-1180 (6 Poles)	220	500	300	2680	540	750	1290	800	625	550	550	880	1170	950	580	30	4530	400	500
	250	500	300	2680	540	750	1290	800	625	550	550	880	1170	950	580	30	4660	400	500
	280	Contact EBARA																	
	315																		
	355																		
400	Contact EBARA																		

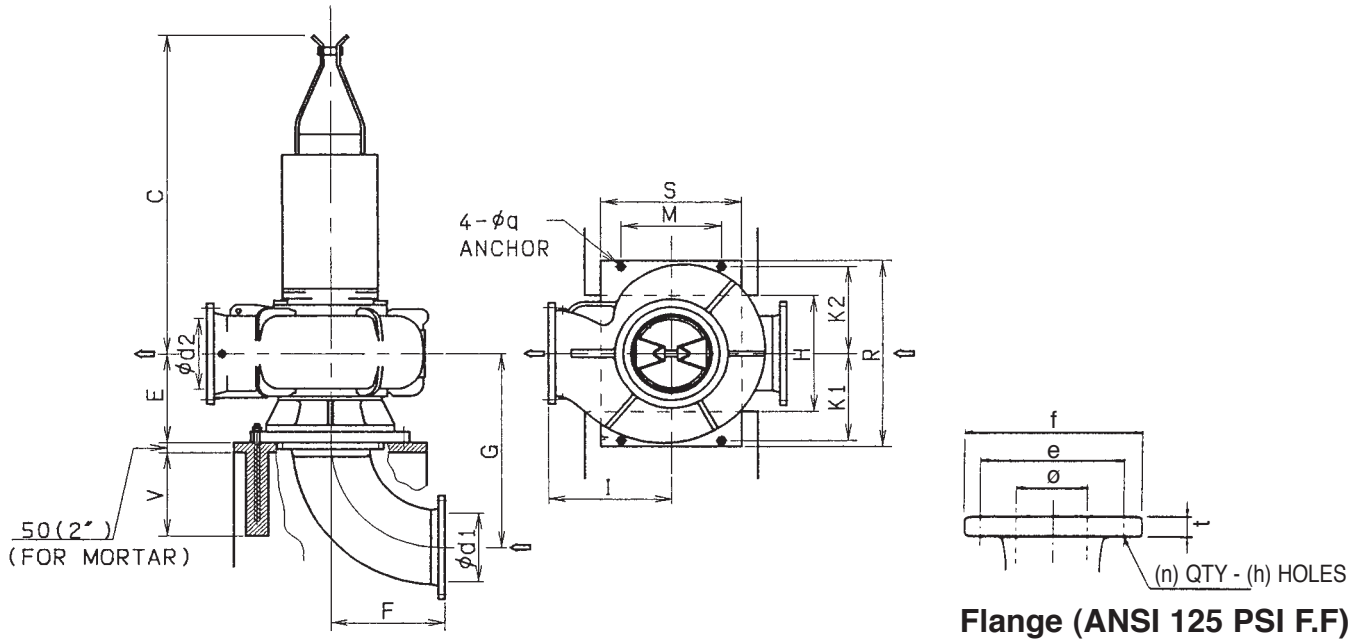
Dimensions are Approximate

† Note: Includes weight of 33 ft. standard length cables.

Dimensions

Project: _____ Model: _____ Chk'd: _____ Date: _____

Model DSCA3 Drypit Application
250x150DSCA3 G0852



Flange (ANSI 125 PSI F.F)

inch					
ø	e	f	t	n	h
6	9 1/2	11	1	8	7/8
10	14 1/4	16	1 3/16	12	1

mm					
ø	e	f	t	n	h
150	241	279	25	8	22
250	362	406	30	12	25

W1: pump weight
 W2: suction elbow weight
 W3: water in pump

Dimensions: inch

Model (Pole)	HP	Pump & Motor														Weight (Lbs.) †			
		d1	d2	C	E	F	G	H	I	K1	K2	M	R	S	V	q	W1	W2	W3
G0852-1180L (6 Poles)	20	10	6	39 3/4	12 13/16	22 1/16	27 9/16	16 15/16	15 5/8	13 3/4	13 3/4	25 3/16	29 5/16	27 9/16	17 11/16	15 1/16	1433	287	176
	25	10	6	39 3/4	12 13/16	22 1/16	27 9/16	16 15/16	15 5/8	13 3/4	13 3/4	25 3/16	29 5/16	27 9/16	17 11/16	15 1/16	1455	287	176
	30	10	6	39 3/4	12 13/16	22 1/16	27 9/16	16 15/16	15 5/8	13 3/4	13 3/4	25 3/16	29 5/16	27 9/16	17 11/16	15 1/16	1477	287	176
	40	10	6	63	12 13/16	22 1/16	27 9/16	16 15/16	15 5/8	13 3/4	13 3/4	25 3/16	29 5/16	27 9/16	17 11/16	15 1/16	2028	287	176

Dimensions: mm

Model (Pole)	KW	Pump & Motor														Weight (kgf) †			
		d1	d2	C	E	F	G	H	I	K1	K2	M	R	S	V	q	W1	W2	W3
G0852-1180L (6 Poles)	15	250	150	1010	325	570	700	430	390	350	350	640	760	700	450	24	650	130	80
	18.5	250	150	1010	325	570	700	430	390	350	350	640	760	700	450	24	660	130	80
	22	250	150	1010	325	570	700	430	390	350	350	640	760	700	450	24	670	130	80
	30	250	150	1600	325	570	700	430	390	350	350	640	760	700	450	24	920	130	80

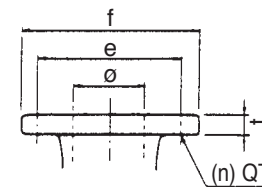
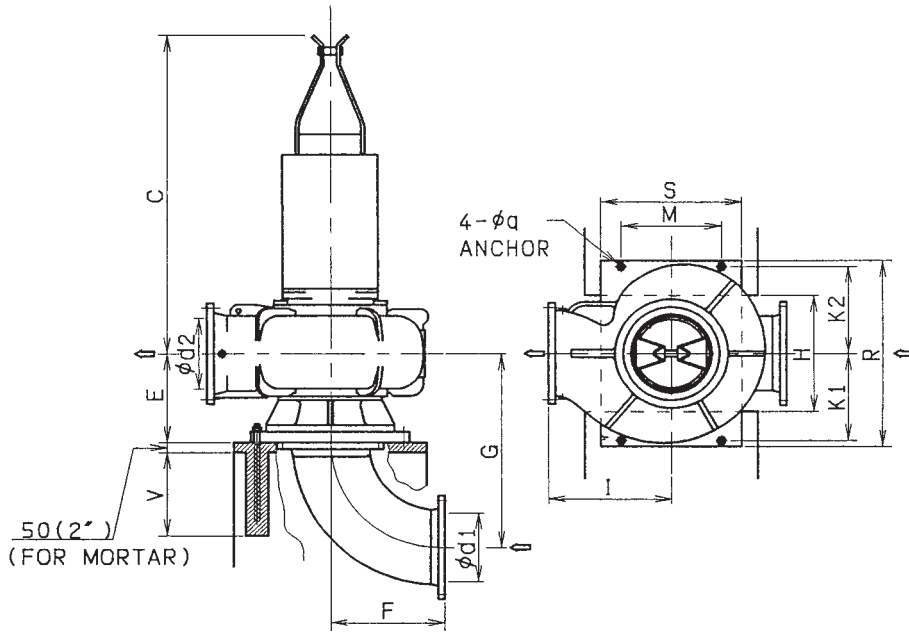
Dimensions are Approximate

† Note: Includes weight of 33 ft. standard length cables.

Dimensions

Project: _____ Model: _____ Chk'd: _____ Date: _____

Model DSCA3 Drypit Application
250x150DSCA3 G0932



Flange (ANSI 125 PSI F.F)

inch					
ø	e	f	t	n	h
6	9 1/2	11	1	8	7/8
10	14 1/4	16	1 3/16	12	1
mm					
ø	e	f	t	n	h
150	241	279	25	8	22
250	362	406	30	12	25

W1: pump weight
W2: suction elbow weight
W3: water in pump

Dimensions: inch

Model (Pole)	HP	Pump & Motor														Weight (Lbs.) †			
		d1	d2	C	E	F	G	H	I	K1	K2	M	R	S	V	q	W1	W2	W3
G0932-1180L (6 Poles)	25	10	6	60 ^{5/8}	13 ^{3/16}	22 ^{7/16}	27 ^{15/16}	16 ^{15/16}	17 ^{1/8}	13 ^{3/4}	13 ^{3/4}	25 ^{3/16}	29 ^{15/16}	27 ^{9/16}	17 ^{11/16}	1 ^{5/16}	1543	287	220
	30	10	6	64 ^{9/16}	13 ^{3/16}	22 ^{7/16}	27 ^{15/16}	16 ^{15/16}	17 ^{1/8}	13 ^{3/4}	13 ^{3/4}	25 ^{3/16}	29 ^{15/16}	27 ^{9/16}	17 ^{11/16}	1 ^{5/16}	1565	287	220
	40	10	6	62 ^{5/8}	13 ^{3/16}	22 ^{7/16}	27 ^{15/16}	16 ^{15/16}	17 ^{1/8}	13 ^{3/4}	13 ^{3/4}	25 ^{3/16}	29 ^{15/16}	27 ^{9/16}	17 ^{11/16}	1 ^{5/16}	2138	287	220

Dimensions: mm

Model (Pole)	KW	Pump & Motor														Weight (kgf) †			
		d1	d2	C	E	F	G	H	I	K1	K2	M	R	S	V	q	W1	W2	W3
G0932-1180L (6 Poles)	18.5	250	150	1540	335	570	710	430	435	350	350	640	760	700	450	24	700	130	100
	22	250	150	1640	335	570	710	430	435	350	350	640	760	700	450	24	710	130	100
	30	250	150	1590	335	570	710	430	435	350	350	640	760	700	450	24	970	130	100

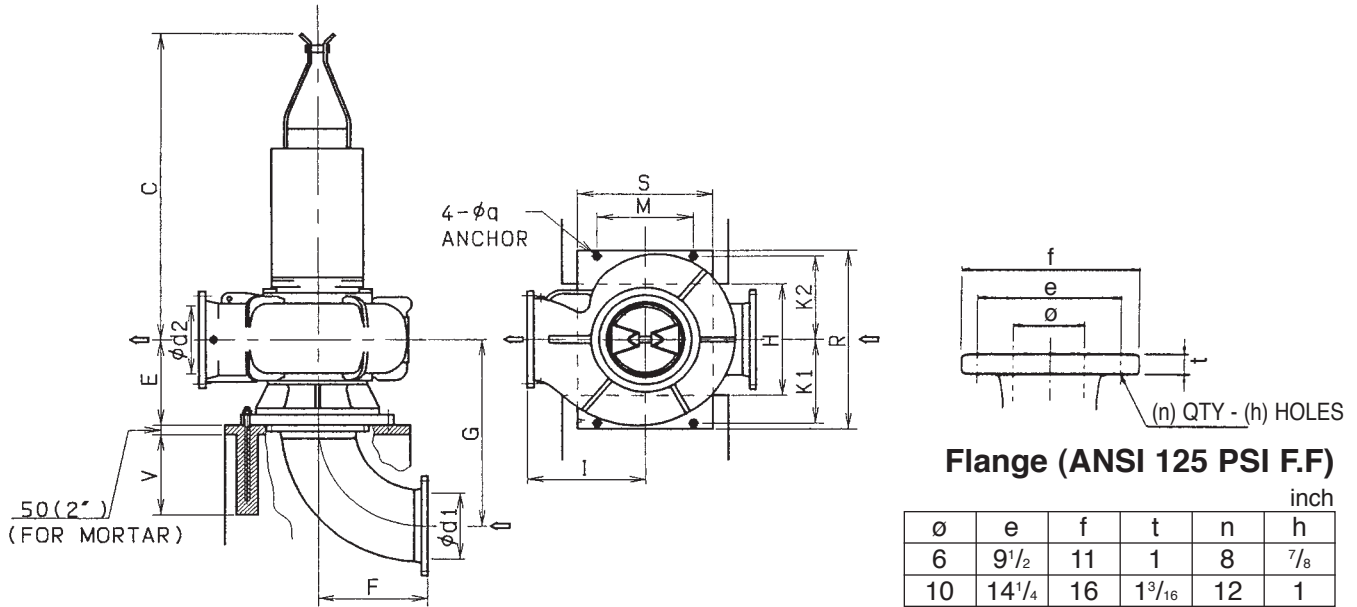
Dimensions are Approximate

† Note: Includes weight of 33 ft. standard length cables.

Dimensions

Project: _____ Model: _____ Chk'd: _____ Date: _____

Model DSCA3 Drypit Application
250x150DSCA3 G0852
250x150DSCA3 G0932



Flange (ANSI 125 PSI F.F)

						inch		
ø	e	f	t	n	h			
6	9 1/2	11	1	8	7/8			
10	14 1/4	16	1 3/16	12	1			

						mm		
ø	e	f	t	n	h			
150	241	279	25	8	22			
250	362	406	30	12	25			

W1: pump weight
W2: suction elbow weight
W3: water in pump

Dimensions: inch

Model (Pole)	HP	Pump & Motor														Weight (Lbs.) †			
		d1	d2	C	E	F	G	H	I	K1	K2	M	R	S	V	q	W1	W2	W3
G0852-1760 (4 Poles)	50	10	6	63	12 ^{13/16}	22 ^{7/16}	27 ^{9/16}	16 ^{15/16}	15 ^{3/8}	13 ^{3/4}	13 ^{3/4}	25 ^{3/16}	29 ^{15/16}	27 ^{9/16}	17 ^{11/16}	1 ^{5/16}	2006	287	176
	60	10	6	63	12 ^{13/16}	22 ^{7/16}	27 ^{9/16}	16 ^{15/16}	15 ^{3/8}	13 ^{3/4}	13 ^{3/4}	25 ^{3/16}	29 ^{15/16}	27 ^{9/16}	17 ^{11/16}	1 ^{5/16}	2050	287	176
	75	10	6	63	12 ^{13/16}	22 ^{7/16}	27 ^{9/16}	16 ^{15/16}	15 ^{3/8}	13 ^{3/4}	13 ^{3/4}	25 ^{3/16}	29 ^{15/16}	27 ^{9/16}	17 ^{11/16}	1 ^{5/16}	2094	287	176
	100	10	6	66 ^{15/16}	12 ^{13/16}	22 ^{7/16}	27 ^{9/16}	16 ^{15/16}	15 ^{3/8}	13 ^{3/4}	13 ^{3/4}	25 ^{3/16}	29 ^{15/16}	27 ^{9/16}	17 ^{11/16}	1 ^{5/16}	2205	287	176
G0932-1770 (4 Poles)	75	10	6	62 ^{5/8}	13 ^{3/16}	22 ^{7/16}	27 ^{9/16}	16 ^{15/16}	17 ^{1/8}	13 ^{3/4}	13 ^{3/4}	25 ^{3/16}	29 ^{15/16}	27 ^{9/16}	17 ^{11/16}	1 ^{5/16}	2183	287	220
	100	10	6	66 ^{9/16}	13 ^{3/16}	22 ^{7/16}	27 ^{9/16}	16 ^{15/16}	17 ^{1/8}	13 ^{3/4}	13 ^{3/4}	25 ^{3/16}	29 ^{15/16}	27 ^{9/16}	17 ^{11/16}	1 ^{5/16}	2315	287	220
	120	10	6	81 ^{1/8}	13 ^{3/16}	22 ^{7/16}	27 ^{9/16}	16 ^{15/16}	17 ^{1/8}	13 ^{3/4}	13 ^{3/4}	25 ^{3/16}	29 ^{15/16}	27 ^{9/16}	17 ^{11/16}	1 ^{5/16}	3131	287	220

Dimensions: mm

Model (Pole)	KW	Pump & Motor														Weight (kgf) †			
		d1	d2	C	E	F	G	H	I	K1	K2	M	R	S	V	q	W1	W2	W3
G0852-1760 (4 Poles)	37	250	150	1600	325	570	700	430	390	350	350	640	760	700	450	24	910	130	80
	45	250	150	1600	325	570	700	430	390	350	350	640	760	700	450	24	930	130	80
	55	250	150	1600	325	570	700	430	390	350	350	640	760	700	450	24	950	130	80
	75	250	150	1700	325	570	700	430	390	350	350	640	760	700	450	24	1000	130	80
G0932-1770 (4 Poles)	55	250	150	1590	335	570	710	430	435	350	350	640	760	700	450	24	990	130	100
	75	250	150	1690	335	570	710	430	435	350	350	640	760	700	450	24	1050	130	100
	90	250	150	2060	335	570	710	430	435	350	350	640	760	700	450	24	1420	130	100

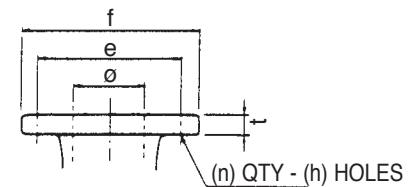
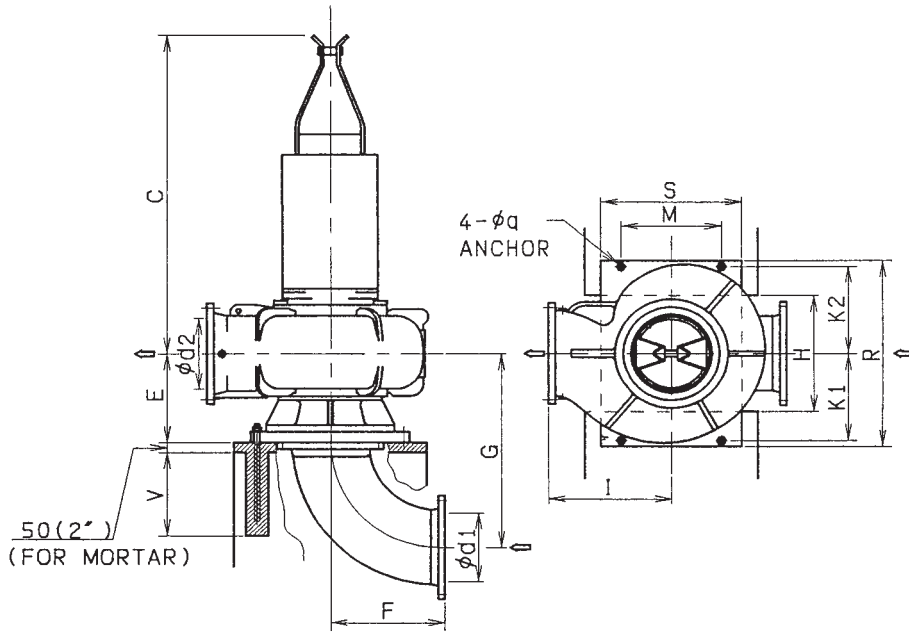
Dimensions are Approximate

† Note: Includes weight of 33 ft. standard length cables.

Dimensions

Project: _____ Model: _____ Chk'd: _____ Date: _____

Model DSCA3 Drypit Application
300x150DSCA3 G1012



Flange (ANSI 125 PSI F.F)

inch					
∅	e	f	t	n	h
6	9 1/2	11	1	8	7/8
12	17	19	1 1/4	12	1
mm					
∅	e	f	t	n	h
150	241	279	25	8	22
300	432	483	32	12	25

W1: pump weight
W2: suction elbow weight
W3: water in pump

Dimensions: inch

Model (Pole)	HP	Pump & Motor														Weight (Lbs.) †			
		d1	d2	C	E	F	G	H	I	K1	K2	M	R	S	V	q	W1	W2	W3
G1012-1180L (6 Poles)	40	12	6	62 ^{5/8}	14 ^{15/16}	23 ^{1/4}	32 ^{11/16}	20 ^{1/2}	17 ^{15/16}	15 ^{3/4}	15 ^{3/4}	27 ^{3/16}	33 ^{7/8}	29 ^{1/2}	17 ^{11/16}	1 ^{5/16}	2403	353	309
	50	12	6	62 ^{5/8}	14 ^{15/16}	23 ^{1/4}	32 ^{11/16}	20 ^{1/2}	17 ^{15/16}	15 ^{3/4}	15 ^{3/4}	27 ^{3/16}	33 ^{7/8}	29 ^{1/2}	17 ^{11/16}	1 ^{5/16}	2469	353	309
	60	12	6	66 ^{9/16}	14 ^{15/16}	23 ^{1/4}	32 ^{11/16}	20 ^{1/2}	17 ^{15/16}	15 ^{3/4}	15 ^{3/4}	27 ^{3/16}	33 ^{7/8}	29 ^{1/2}	17 ^{11/16}	1 ^{5/16}	2535	353	309

Dimensions: mm

Model (Pole)	KW	Pump & Motor														Weight (kgf) †			
		d1	d2	C	E	F	G	H	I	K1	K2	M	R	S	V	q	W1	W2	W3
G1012-1180L (6 Poles)	30	300	150	1590	380	590	830	520	455	400	400	690	860	750	450	24	1090	160	140
	37	300	150	1590	380	590	830	520	455	400	400	690	860	750	450	24	1120	160	140
	45	300	150	1690	380	590	830	520	455	400	400	690	860	750	450	24	1150	160	140

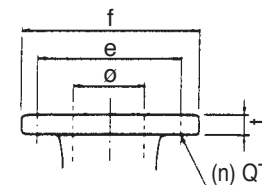
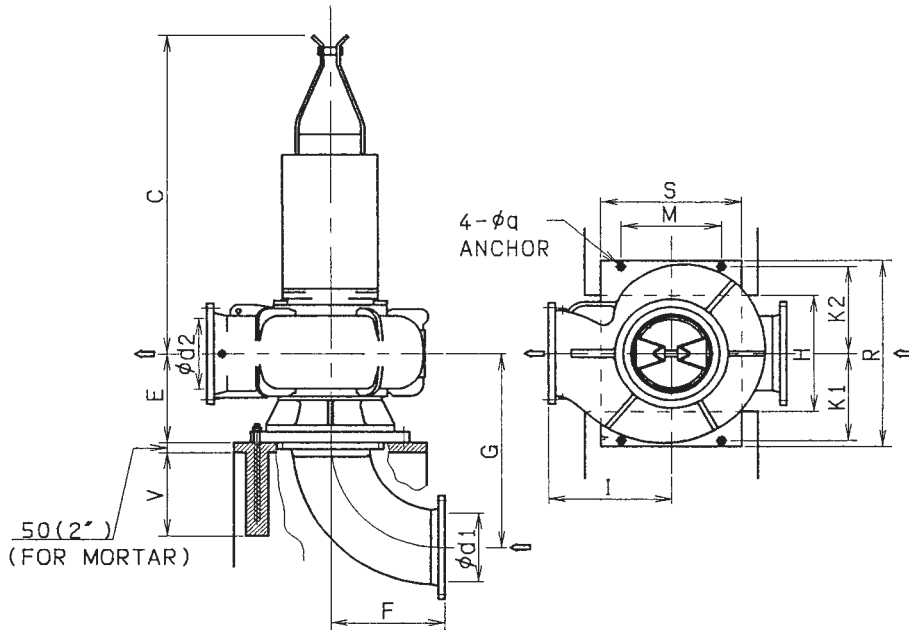
Dimensions are Approximate

† Note: Includes weight of 33 ft. standard length cables.

Dimensions

Project: _____ Model: _____ Chk'd: _____ Date: _____

**Model DSCA3 Drypit Application
350x200DSCA3 G1102**



(n) QTY - (h) HOLES

Flange (ANSI 125 PSI F.F)

inch

ø	e	f	t	n	h
8	11 ³ / ₄	13 ¹ / ₂	1 ¹ / ₈	8	7 ⁷ / ₈
14	18 ³ / ₄	21	1 ³ / ₈	12	1 ¹ / ₈

mm

ø	e	f	t	n	h
200	298	343	29	8	22
350	476	533	35	12	29

W1: pump weight

W2: suction elbow weight

W3: water in pump

Dimensions: inch

Model (Pole)	HP	Pump & Motor														Weight (Lbs.) †			
		d1	d2	C	E	F	G	H	I	K1	K2	M	R	S	V	q	W1	W2	W3
G1102-1180L (6 Poles)	60	14	8	66 ⁹ / ₁₆	16 ⁵ / ₁₆	24 ⁷ / ₁₆	37	25 ³ / ₁₆	19 ¹¹ / ₁₆	17 ¹¹ / ₁₆	17 ¹¹ / ₁₆	29 ¹ / ₈	37 ¹³ / ₁₆	31 ¹ / ₂	17 ¹¹ / ₁₆	1 ⁵ / ₁₆	2646	419	419
	75	14	8	66 ⁹ / ₁₆	16 ⁵ / ₁₆	24 ⁷ / ₁₆	37	25 ³ / ₁₆	19 ¹¹ / ₁₆	17 ¹¹ / ₁₆	17 ¹¹ / ₁₆	29 ¹ / ₈	37 ¹³ / ₁₆	31 ¹ / ₂	17 ¹¹ / ₁₆	1 ⁵ / ₁₆	2646	419	419
	100	14	8	75 ³ / ₁₆	16 ⁵ / ₁₆	24 ⁷ / ₁₆	37	25 ³ / ₁₆	19 ¹¹ / ₁₆	17 ¹¹ / ₁₆	17 ¹¹ / ₁₆	29 ¹ / ₈	37 ¹³ / ₁₆	31 ¹ / ₂	17 ¹¹ / ₁₆	1 ⁵ / ₁₆	3307	419	419

Dimensions: mm

Model (Pole)	KW	Pump & Motor														Weight (kgf) †			
		d1	d2	C	E	F	G	H	I	K1	K2	M	R	S	V	q	W1	W2	W3
G1102-1180L (6 Poles)	45	350	200	1690	415	620	940	640	500	450	450	740	960	800	450	24	1200	190	190
	55	350	200	1690	415	620	940	640	500	450	450	740	960	800	450	24	1200	190	190
	75	350	200	1910	415	620	940	640	500	450	450	740	960	800	450	24	1500	190	190

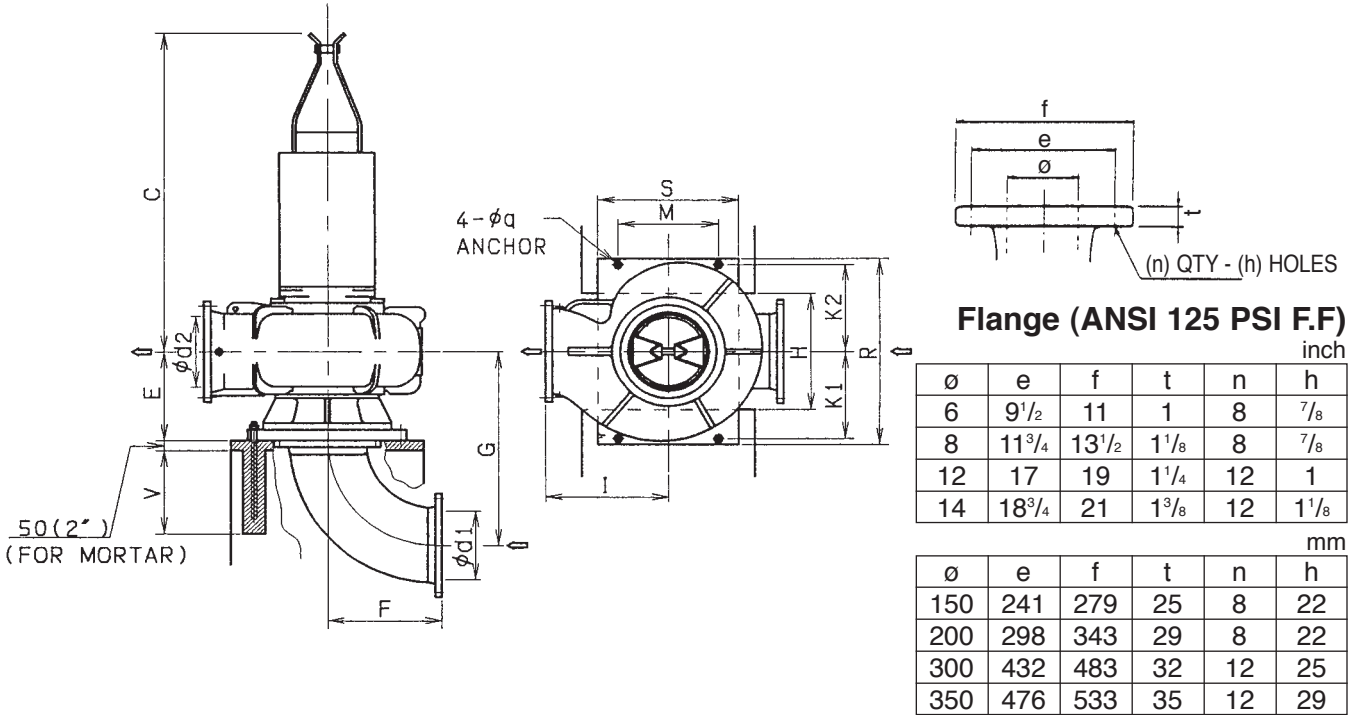
Dimensions are Approximate

† Note: Includes weight of 33 ft. standard length cables.

Dimensions

Project: _____ Model: _____ Chk'd: _____ Date: _____

Model DSCA3 Drypit Application
300x150DSCA3 G1012
350x200DSCA3 G1102



W1: pump weight
W2: suction elbow weight
W3: water in pump

Dimensions: inch

Model (Pole)	HP	Pump & Motor														Weight (Lbs.) †			
		d1	d2	C	E	F	G	H	I	K1	K2	M	R	S	V	q	W1	W2	W3
G1012-1770 (4 Poles)	120	12	6	81 ¹ / ₂	14 ¹⁵ / ₁₆	23 ¹ / ₄	32 ¹¹ / ₁₆	20 ¹ / ₂	17 ¹⁵ / ₁₆	15 ³ / ₄	15 ³ / ₄	27 ³ / ₁₆	33 ⁷ / ₈	29 ¹ / ₂	17 ¹¹ / ₁₆	15 ¹⁵ / ₁₆	3329	353	309
	145	12	6	81 ¹ / ₂	14 ¹⁵ / ₁₆	23 ¹ / ₄	32 ¹¹ / ₁₆	20 ¹ / ₂	17 ¹⁵ / ₁₆	15 ³ / ₄	15 ³ / ₄	27 ³ / ₁₆	33 ⁷ / ₈	29 ¹ / ₂	17 ¹¹ / ₁₆	15 ¹⁵ / ₁₆	3395	353	309
	175	12	6	81 ¹ / ₂	14 ¹⁵ / ₁₆	23 ¹ / ₄	32 ¹¹ / ₁₆	20 ¹ / ₂	17 ¹⁵ / ₁₆	15 ³ / ₄	15 ³ / ₄	27 ³ / ₁₆	33 ⁷ / ₈	29 ¹ / ₂	17 ¹¹ / ₁₆	15 ¹⁵ / ₁₆	3483	353	309
G1102-1780 (4 Poles)	175	14	8	81 ¹ / ₈	16 ⁵ / ₁₆	24 ⁷ / ₁₆	37	25 ³ / ₁₆	9 ¹¹ / ₁₆	17 ¹¹ / ₁₆	17 ¹¹ / ₁₆	29 ¹ / ₈	37 ¹³ / ₁₆	31 ¹ / ₂	17 ¹¹ / ₁₆	15 ¹⁵ / ₁₆	3593	420	419
	200	14	8	94 ¹ / ₂	16 ⁵ / ₁₆	24 ⁷ / ₁₆	37	25 ³ / ₁₆	9 ¹¹ / ₁₆	17 ¹¹ / ₁₆	17 ¹¹ / ₁₆	29 ¹ / ₈	37 ¹³ / ₁₆	31 ¹ / ₂	17 ¹¹ / ₁₆	15 ¹⁵ / ₁₆	4938	420	419
	215	14	8	98 ⁷ / ₁₆	16 ⁵ / ₁₆	24 ⁷ / ₁₆	37	25 ³ / ₁₆	9 ¹¹ / ₁₆	17 ¹¹ / ₁₆	17 ¹¹ / ₁₆	29 ¹ / ₈	37 ¹³ / ₁₆	31 ¹ / ₂	17 ¹¹ / ₁₆	15 ¹⁵ / ₁₆	5137	420	419
	245	14	8	98 ⁷ / ₁₆	16 ⁵ / ₁₆	24 ⁷ / ₁₆	37	25 ³ / ₁₆	9 ¹¹ / ₁₆	17 ¹¹ / ₁₆	17 ¹¹ / ₁₆	29 ¹ / ₈	37 ¹³ / ₁₆	31 ¹ / ₂	17 ¹¹ / ₁₆	15 ¹⁵ / ₁₆	5401	420	419
	265	14	8	98 ⁷ / ₁₆	16 ⁵ / ₁₆	24 ⁷ / ₁₆	37	25 ³ / ₁₆	9 ¹¹ / ₁₆	17 ¹¹ / ₁₆	17 ¹¹ / ₁₆	29 ¹ / ₈	37 ¹³ / ₁₆	31 ¹ / ₂	17 ¹¹ / ₁₆	15 ¹⁵ / ₁₆	5512	420	419
295	14	8	98 ⁷ / ₁₆	16 ⁵ / ₁₆	24 ⁷ / ₁₆	37	25 ³ / ₁₆	9 ¹¹ / ₁₆	17 ¹¹ / ₁₆	17 ¹¹ / ₁₆	29 ¹ / ₈	37 ¹³ / ₁₆	31 ¹ / ₂	17 ¹¹ / ₁₆	15 ¹⁵ / ₁₆	5622	420	419	

Dimensions: mm

Model (Pole)	KW	Pump & Motor														Weight (kgf) †			
		d1	d2	C	E	F	G	H	I	K1	K2	M	R	S	V	q	W1	W2	W3
G1012-1770 (4 Poles)	90	300	150	2070	380	590	830	520	455	400	400	690	860	750	450	24	1510	160	140
	110	300	150	2070	380	590	830	520	455	400	400	690	860	750	450	24	1540	160	140
	132	300	150	2070	380	590	830	520	455	400	400	690	860	750	450	24	1580	160	140
G1102-1780 (4 Poles)	132	350	200	2060	415	620	940	640	500	450	450	740	960	800	450	24	1630	190	190
	150	350	200	2400	415	620	940	640	500	450	450	740	960	800	450	24	2240	190	190
	160	350	200	2500	415	620	940	640	500	450	450	740	960	800	450	24	2330	190	190
	185	350	200	2500	415	620	940	640	500	450	450	740	960	800	450	24	2450	190	190
	200	350	200	2500	415	620	940	640	500	450	450	740	960	800	450	24	2500	190	190
220	350	200	2500	415	620	940	640	500	450	450	740	960	800	450	24	2560	190	190	

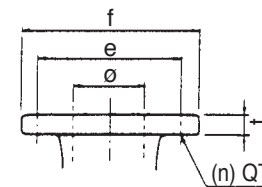
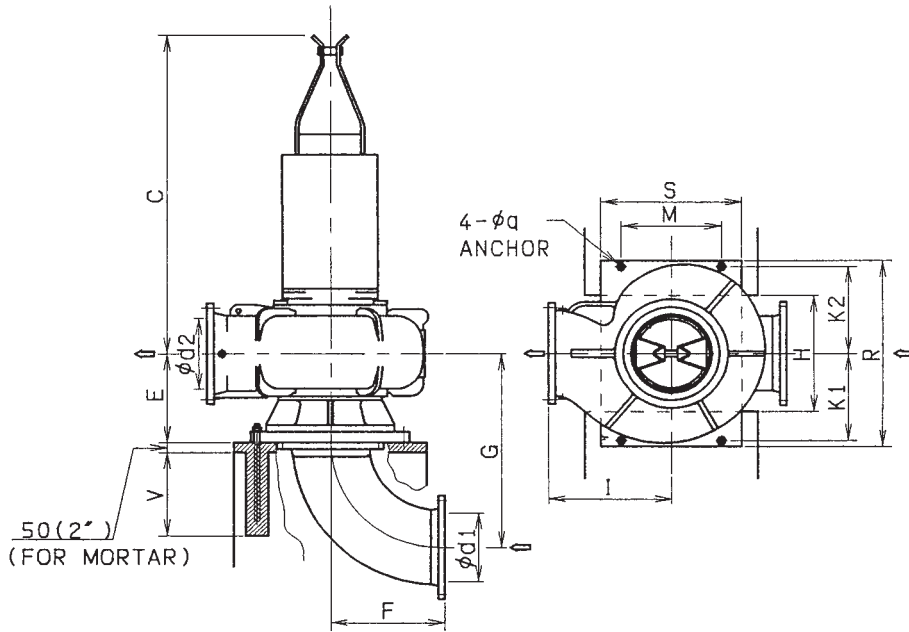
Dimensions are Approximate

† Note: Includes weight of 33 ft. standard length cables.

Dimensions

Project: _____ Model: _____ Chk'd: _____ Date: _____

Model DSCA3 Drypit Application
400x200DSCA3 G1232



(n) QTY - (h) HOLES

Flange (ANSI 125 PSI F.F)

inch					
ø	e	f	t	n	h
8	11 ³ / ₄	13 ¹ / ₂	1 ¹ / ₈	8	7 ⁷ / ₈
16	21 ¹ / ₄	23 ¹ / ₂	1 ⁷ / ₁₆	16	1 ¹ / ₈
mm					
ø	e	f	t	n	h
200	298	343	29	8	22
400	540	597	37	16	29

W1: pump weight

W2: suction elbow weight

W3: water in pump

Dimensions: inch

Model (Pole)	HP	Pump & Motor														Weight (Lbs.) †			
		d1	d2	C	E	F	G	H	I	K1	K2	M	R	S	V	q	W1	W2	W3
G1232-1180L (6 Poles)	100	16	8	75 ⁹ / ₁₆	18 ¹ / ₈	25 ³ / ₁₆	41 ³ / ₄	26 ³ / ₄	21 ¹ / ₄	19 ¹¹ / ₁₆	19 ¹¹ / ₁₆	31 ¹ / ₈	41 ³ / ₄	33 ⁷ / ₁₆	17 ¹¹ / ₁₆	15 ¹⁵ / ₁₆	3924	507	573
	120	16	8	75 ⁹ / ₁₆	18 ¹ / ₈	25 ³ / ₁₆	41 ³ / ₄	26 ³ / ₄	21 ¹ / ₄	19 ¹¹ / ₁₆	19 ¹¹ / ₁₆	31 ¹ / ₈	41 ³ / ₄	33 ⁷ / ₁₆	17 ¹¹ / ₁₆	15 ¹⁵ / ₁₆	3990	507	573
	145	16	8	81 ¹ / ₂	18 ¹ / ₈	25 ³ / ₁₆	41 ³ / ₄	26 ³ / ₄	21 ¹ / ₄	19 ¹¹ / ₁₆	19 ¹¹ / ₁₆	31 ¹ / ₈	41 ³ / ₄	33 ⁷ / ₁₆	17 ¹¹ / ₁₆	15 ¹⁵ / ₁₆	4145	507	573

Dimensions: mm

Model (Pole)	KW	Pump & Motor														Weight (kgf) †			
		d1	d2	C	E	F	G	H	I	K1	K2	M	R	S	V	q	W1	W2	W3
G1232-1180L (6 Poles)	75	400	200	1920	460	640	1060	680	540	500	500	790	1060	850	450	24	1780	230	260
	90	400	200	1920	460	640	1060	680	540	500	500	790	1060	850	450	24	1810	230	260
	110	400	200	2070	460	640	1060	680	540	500	500	790	1060	850	450	24	1880	230	260

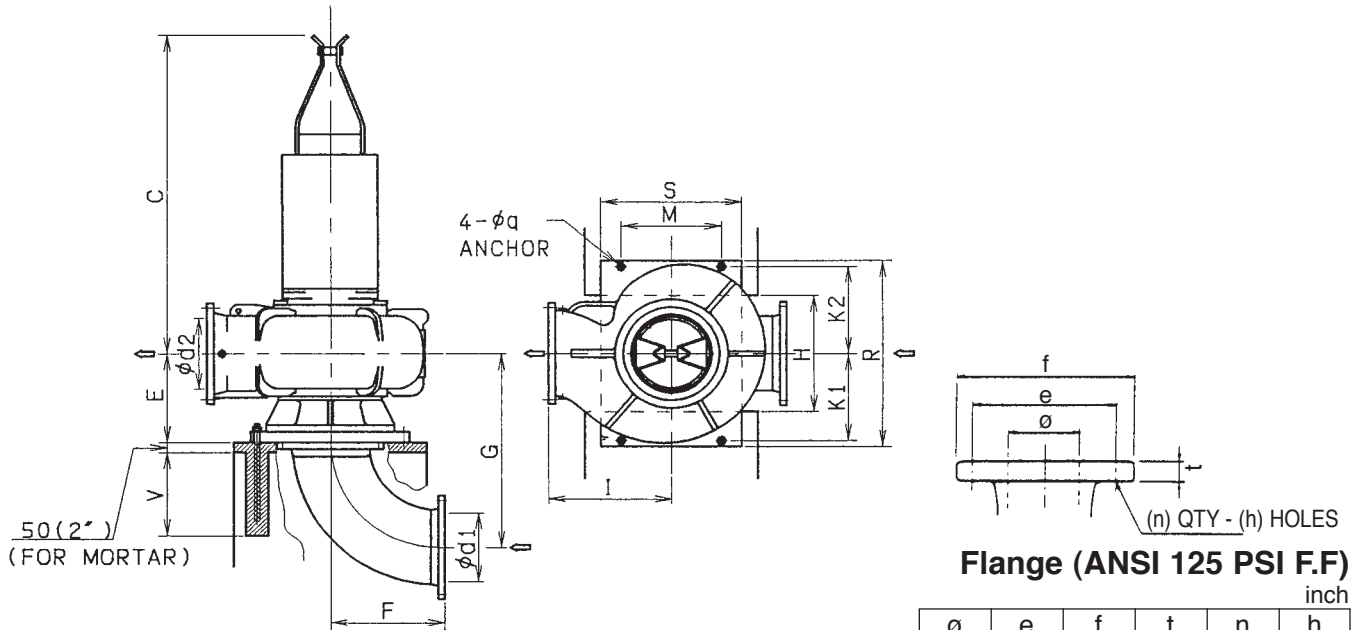
Dimensions are Approximate

† Note: Includes weight of 33 ft. standard length cables.

Dimensions

Project: _____ Model: _____ Chk'd: _____ Date: _____

**Model DSCA3 Drypit Application
400x200DSCA3 G1232**



Flange (ANSI 125 PSI F.F)

inch					
ø	e	f	t	n	h
8	11 ³ / ₄	13 ¹ / ₂	1 ¹ / ₈	8	7 ⁷ / ₈
16	21 ¹ / ₄	23 ¹ / ₂	1 ⁷ / ₁₆	16	1 ¹ / ₈

mm					
ø	e	f	t	n	h
200	298	343	29	8	22
400	540	597	37	16	29

W1: pump weight
W2: suction elbow weight
W3: water in pump

Dimensions: inch

Model (Pole)	HP	Pump & Motor														Weight (Lbs.) †			
		d1	d2	C	E	F	G	H	I	K1	K2	M	R	S	V	q	W1	W2	W3
G1232-1780 (4 Poles)	295	16	8	98 ¹³ / ₁₆	18 ¹ / ₈	25 ³ / ₁₆	41 ³ / ₄	26 ³ / ₄	21 ¹ / ₄	19 ¹¹ / ₁₆	19 ¹¹ / ₁₆	31 ¹ / ₈	41 ³ / ₄	33 ⁷ / ₁₆	17 ¹¹ / ₁₆	15 ⁵ / ₁₆	6151	507	573
	335	16	8	105 ¹ / ₂	18 ¹ / ₈	25 ³ / ₁₆	41 ³ / ₄	26 ³ / ₄	21 ¹ / ₄	19 ¹¹ / ₁₆	19 ¹¹ / ₁₆	31 ¹ / ₈	41 ³ / ₄	33 ⁷ / ₁₆	17 ¹¹ / ₁₆	15 ⁵ / ₁₆	8422	507	573
	375	16	8	105 ¹ / ₂	18 ¹ / ₈	25 ³ / ₁₆	41 ³ / ₄	26 ³ / ₄	21 ¹ / ₄	19 ¹¹ / ₁₆	19 ¹¹ / ₁₆	31 ¹ / ₈	41 ³ / ₄	33 ⁷ / ₁₆	17 ¹¹ / ₁₆	15 ⁵ / ₁₆	8576	507	573
	422	Contact EBARA																	
	475	Contact EBARA																	

Dimensions: mm

Model (Pole)	KW	Pump & Motor														Weight (kg) †			
		d1	d2	C	E	F	G	H	I	K1	K2	M	R	S	V	q	W1	W2	W3
G1232-1780 (4 Poles)	220	400	200	2510	460	640	1060	680	540	500	500	790	1060	850	450	24	2790	230	260
	250	400	200	2680	460	640	1060	680	540	500	500	790	1060	850	450	24	3820	230	260
	280	400	200	2680	460	640	1060	680	540	500	500	790	1060	850	450	24	3890	230	260
	315	Contact EBARA																	
	355	Contact EBARA																	

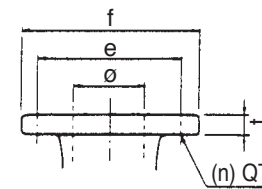
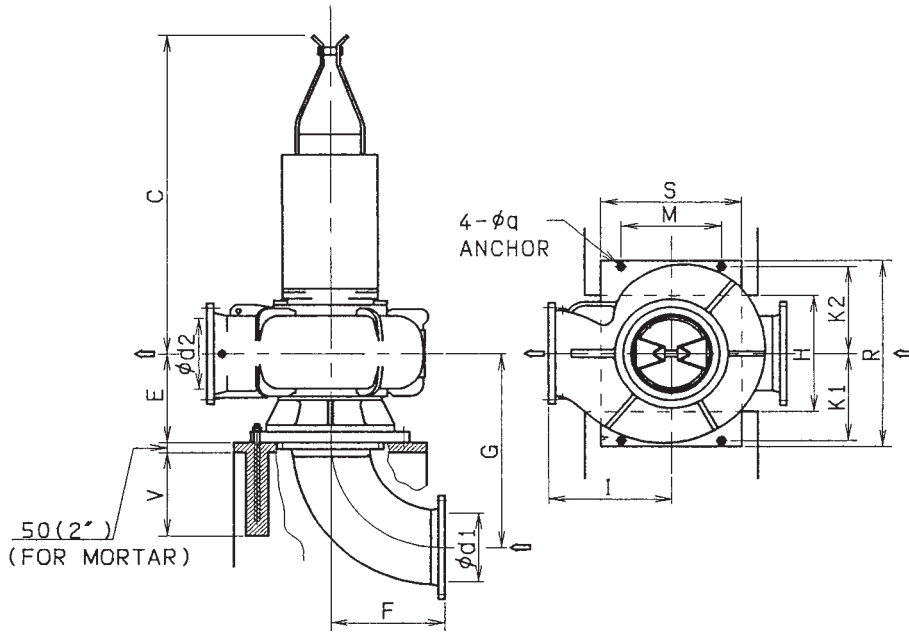
Dimensions are Approximate

† Note: Includes weight of 33 ft. standard length cables.

Dimensions

Project: _____ Model: _____ Chk'd: _____ Date: _____

Model DSCA3 Drypit Application
400x200DSCA3 G1233



Flange (ANSI 125 PSI F.F)

inch					
ø	e	f	t	n	h
8	11 ³ / ₄	13 ¹ / ₂	1 ¹ / ₈	8	7 ⁷ / ₈
16	21 ¹ / ₄	23 ¹ / ₂	1 ⁷ / ₁₆	16	1 ¹ / ₈
mm					
ø	e	f	t	n	h
200	298	343	29	8	22
400	540	597	37	16	29

W1: pump weight
 W2: suction elbow weight
 W3: water in pump

Dimensions: inch

Model (Pole)	HP	Pump & Motor														Weight (Lbs.) †			
		d1	d2	C	E	F	G	H	I	K1	K2	M	R	S	V	q	W1	W2	W3
G1233-1180L (6 Poles)	120	16	8	73 ¹ / ₄	18 ¹ / ₈	25 ³ / ₁₆	41 ³ / ₄	26 ³ / ₄	21 ¹ / ₄	19 ¹¹ / ₁₆	19 ¹¹ / ₁₆	31 ¹ / ₈	41 ³ / ₄	33 ⁷ / ₁₆	17 ¹¹ / ₁₆	15 ¹⁵ / ₁₆	3990	507	573
	145	16	8	79 ¹ / ₈	18 ¹ / ₈	25 ³ / ₁₆	41 ³ / ₄	26 ³ / ₄	21 ¹ / ₄	19 ¹¹ / ₁₆	19 ¹¹ / ₁₆	31 ¹ / ₈	41 ³ / ₄	33 ⁷ / ₁₆	17 ¹¹ / ₁₆	15 ¹⁵ / ₁₆	4145	507	573
	175	16	8	91 ⁵ / ₁₆	18 ¹ / ₈	25 ³ / ₁₆	41 ³ / ₄	26 ³ / ₄	21 ¹ / ₄	19 ¹¹ / ₁₆	19 ¹¹ / ₁₆	31 ¹ / ₈	41 ³ / ₄	33 ⁷ / ₁₆	17 ¹¹ / ₁₆	15 ¹⁵ / ₁₆	5247	507	573

Model (Pole)	KW	Pump & Motor														Weight (kg) †			
		d1	d2	C	E	F	G	H	I	K1	K2	M	R	S	V	q	W1	W2	W3
G1233-1180L (6 Poles)	90	400	200	1860	460	640	1060	680	540	500	500	790	1060	850	450	24	1810	230	260
	110	400	200	2010	460	640	1060	680	540	500	500	790	1060	850	450	24	1880	230	260
	132	400	200	2320	460	640	1060	680	540	500	500	790	1060	850	450	24	2380	230	260

Dimensions are Approximate

† Note: Includes weight of 33 ft. standard length cables.

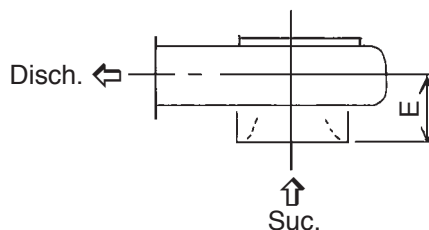
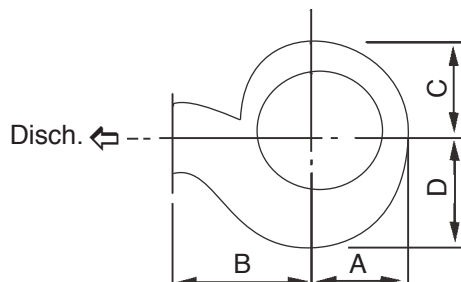
Pump Casing Volute Dimensions

Project:

Model:

Chk'd:

Date:



UNIT : inch (mm)

Model	A	B	C	D	E
C1103	14 (355)	18 ¹ / ₂ (470)	11 ¹¹ / ₁₆ (297)	14 ⁵ / ₈ (371)	9 ³ / ₄ (247)
C1203	15 ³ / ₈ (390)	20 ¹ / ₁₆ (510)	12 ³ / ₄ (324)	15 ⁷ / ₈ (404)	10 ⁹ / ₁₆ (268)
C1463	18 ¹ / ₂ (470)	24 ⁷ / ₁₆ (620)	15 ⁷ / ₁₆ (392)	19 ⁵ / ₁₆ (490)	12 ¹³ / ₁₆ (326)
C1583	19 ⁷ / ₈ (505)	26 ³ / ₈ (670)	16 ⁵ / ₈ (423)	20 ¹³ / ₁₆ (529)	13 ⁷ / ₈ (353)
C1793	22 ⁷ / ₁₆ (570)	29 ¹⁵ / ₁₆ (760)	18 ¹³ / ₁₆ (478)	23 ⁹ / ₁₆ (598)	15 ¹¹ / ₁₆ (399)
C1943	24 ⁷ / ₁₆ (620)	32 ¹ / ₂ (825)	20 ³ / ₈ (518)	25 ¹ / ₂ (648)	17 (432)
C2113	26 ³ / ₈ (670)	35 ¹ / ₄ (895)	22 ³ / ₁₆ (563)	27 ¹¹ / ₁₆ (704)	18 ¹ / ₂ (470)
C2373	29 ³ / ₄ (755)	39 ³ / ₈ (1000)	24 ¹³ / ₁₆ (631)	31 ¹ / ₁₆ (789)	21 ³ / ₈ (543)
C2573	32 ¹ / ₁₆ (815)	42 ¹¹ / ₁₆ (1085)	26 ¹⁵ / ₁₆ (684)	33 ¹¹ / ₁₆ (855)	22 ⁷ / ₁₆ (570)
C2953	36 ¹³ / ₁₆ (935)	49 (1245)	30 ¹³ / ₁₆ (783)	38 ⁹ / ₁₆ (980)	25 ⁵ / ₈ (651)
D0852	9 ⁵ / ₈ (245)	14 ³ / ₈ (365)	9 ¹ / ₁₆ (230)	10 ¹ / ₂ (266)	6 ⁷ / ₈ (175)
D0922	10 ⁷ / ₁₆ (265)	15 ⁹ / ₁₆ (395)	9 ³ / ₄ (248)	11 ⁵ / ₁₆ (287)	7 ⁷ / ₁₆ (189)
D1002	11 ¹ / ₄ (285)	16 ³ / ₄ (425)	10 ⁹ / ₁₆ (269)	12 ¹ / ₄ (311)	8 ¹ / ₁₆ (205)
D1262	14 (355)	21 ¹ / ₁₆ (535)	13 ³ / ₁₆ (335)	15 ⁵ / ₁₆ (389)	10 ¹ / ₈ (257)
D1553	17 ¹ / ₈ (435)	27 (685)	16 ¹ / ₈ (410)	18 ³ / ₄ (476)	12 ⁷ / ₁₆ (316)
D2503	27 ³ / ₁₆ (690)	41 ⁹ / ₁₆ (1050)	25 ⁷ / ₈ (657)	30 ¹ / ₁₆ (763)	20 ⁵ / ₁₆ (516)
E0852	9 ¹³ / ₁₆ (250)	14 ³ / ₈ (365)	8 ¹ / ₈ (206)	10 ³ / ₈ (263)	6 ⁷ / ₈ (175)
E0952	10 ¹³ / ₁₆ (275)	15 ¹⁵ / ₁₆ (405)	9 (229)	11 ¹ / ₂ (292)	7 ¹¹ / ₁₆ (195)
E1052	11 ¹³ / ₁₆ (300)	17 ¹¹ / ₁₆ (450)	9 ⁷ / ₈ (251)	12 ⁵ / ₈ (321)	8 ¹ / ₂ (216)
E1152	13 (330)	19 ⁹ / ₁₆ (490)	10 ¹³ / ₁₆ (274)	13 ¹³ / ₁₆ (351)	9 ⁵ / ₁₆ (236)
E1262	14 ⁹ / ₁₆ (360)	21 ¹ / ₁₆ (535)	11 ⁷ / ₈ (301)	15 ⁹ / ₁₆ (385)	10 ¹ / ₈ (257)
E1543	17 ¹ / ₈ (435)	25 ¹³ / ₁₆ (655)	14 ³ / ₈ (365)	18 ³ / ₈ (467)	12 ³ / ₈ (314)
E2244	22 ¹ / ₄ (565)	35 ⁵ / ₈ (905)	18 ⁷ / ₈ (479)	24 ⁷ / ₁₆ (620)	15 ⁹ / ₁₆ (386)
E2424	24 (610)	38 ³ / ₈ (975)	20 ³ / ₈ (517)	26 ³ / ₈ (670)	16 ⁷ / ₁₆ (417)
F0852	9 ¹ / ₄ (235)	14 (355)	8 ¹ / ₁₆ (205)	9 ⁵ / ₈ (245)	6 ⁷ / ₈ (175)
F1102	11 ¹³ / ₁₆ (300)	17 ¹¹ / ₁₆ (450)	10 ⁵ / ₁₆ (262)	12 ⁵ / ₁₆ (313)	8 ⁷ / ₈ (225)
F1302	14 ⁹ / ₁₆ (360)	20 ¹ / ₂ (520)	12 ⁵ / ₁₆ (313)	14 ³ / ₄ (374)	10 ¹ / ₂ (266)
F1593	16 ¹⁵ / ₁₆ (430)	24 ⁵ / ₈ (625)	14 ³ / ₄ (375)	17 ¹¹ / ₁₆ (450)	12 ¹³ / ₁₆ (325)
G0852	9 ⁷ / ₁₆ (240)	15 ³ / ₈ (390)	8 ³ / ₈ (213)	10 (254)	6 ⁷ / ₈ (175)
G0932	10 ¹ / ₄ (260)	17 ¹ / ₈ (435)	9 ¹ / ₈ (232)	10 ⁷ / ₈ (277)	7 ¹ / ₂ (191)
G1012	11 (280)	17 ¹⁵ / ₁₆ (455)	9 ⁷ / ₈ (251)	11 ³ / ₄ (299)	8 ³ / ₁₆ (208)
G1102	12 ³ / ₁₆ (310)	19 ¹¹ / ₁₆ (500)	10 ¹³ / ₁₆ (275)	12 ¹⁵ / ₁₆ (328)	8 ⁷ / ₈ (225)
G1232	13 ³ / ₄ (350)	21 ¹ / ₄ (540)	12 ³ / ₁₆ (310)	14 ⁹ / ₁₆ (370)	9 ¹⁵ / ₁₆ (252)