

EBARA



EBARA

# Submersible Wastewater Pump

Model DSC3, DSCA3



water | wastewater | flood control

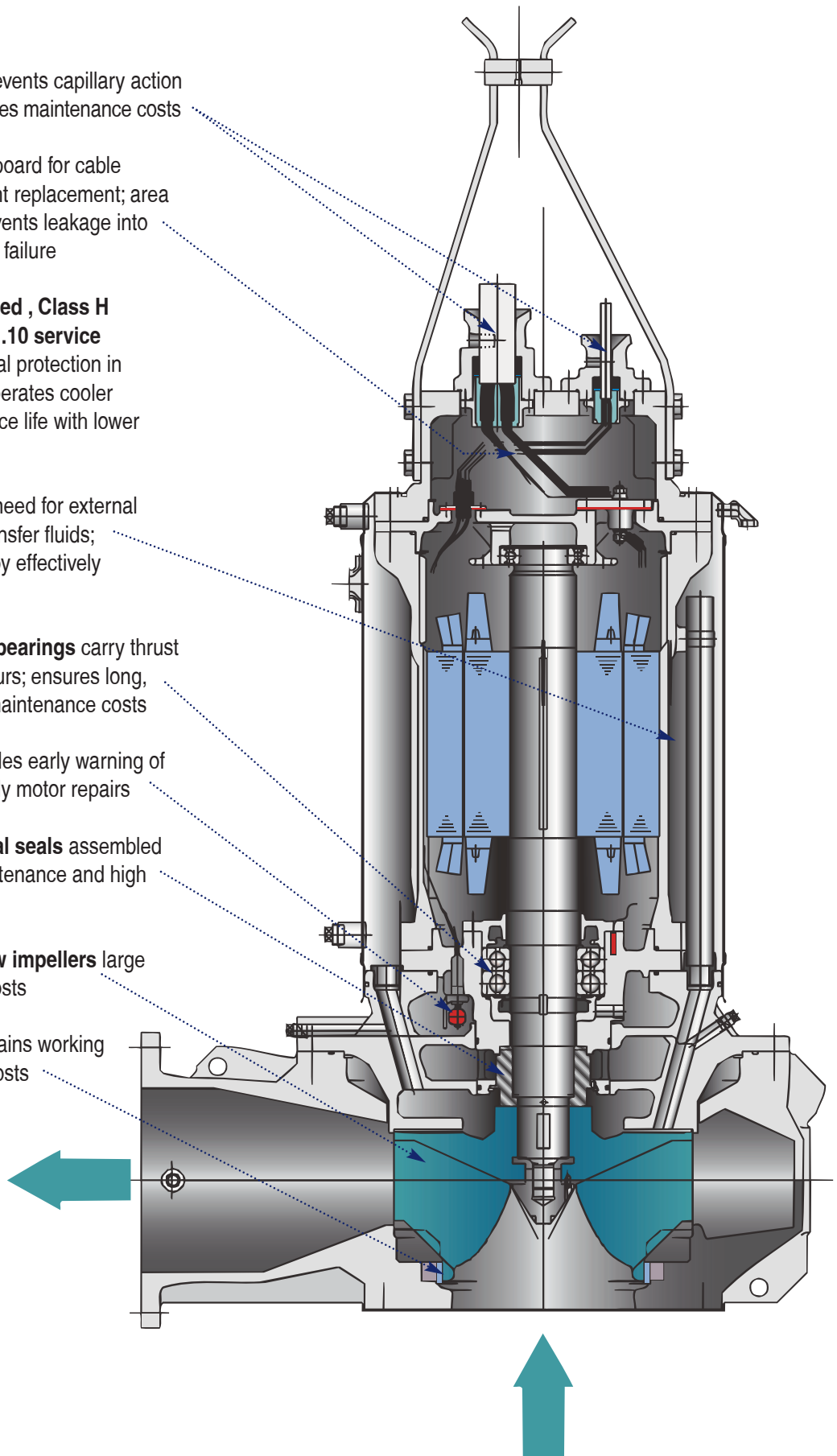
EBARA Fluid Handling

*an EBARA International Corporation company*

# Model DSC3 / DSCA3

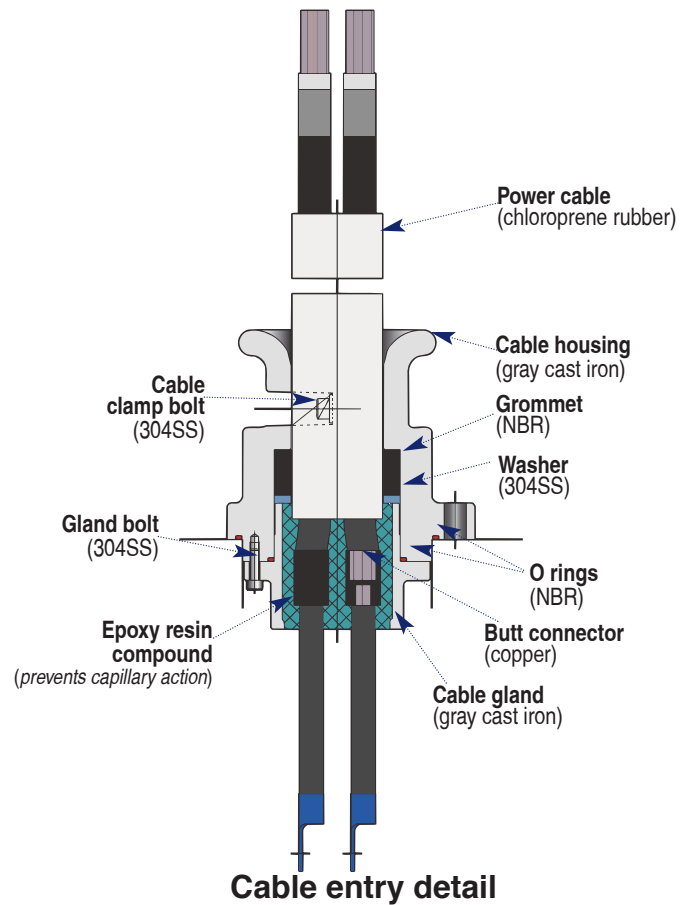
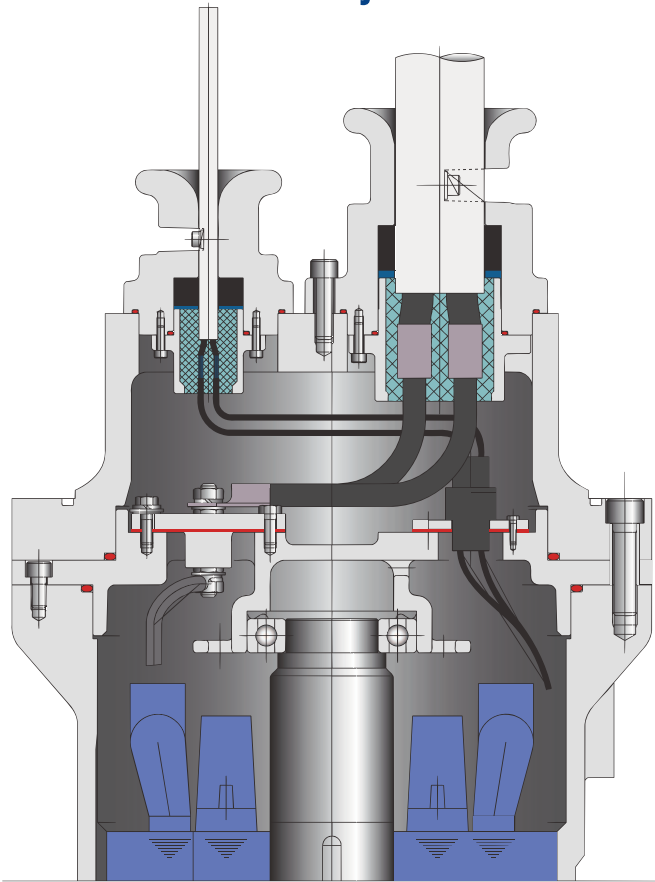
## Features

- **Watertight cable entry system** prevents capillary action and protects against moisture; reduces maintenance costs
- **Junction area** includes a terminal board for cable connections allowing for fast efficient replacement; area sealed from the stator housing; prevents leakage into the motor; reduces the possibility of failure
- **Heavy duty, high efficiency, air filled, Class H insulated, rated for 311°F with a 1.10 service factor** dissipates heat easily; thermal protection in each phase of windings protects; operates cooler with higher efficiencies; longer service life with lower operating costs
- **Self cooling jacket** eliminates the need for external pumping devices or special heat transfer fluids; offers simplicity and high reliability by effectively dissipating heat
- **Double and triple row lubricated bearings** carry thrust loading with L-10 life of 100,000 hours; ensures long, dependable operation and lowers maintenance costs
- **Float type leakage detector** provides early warning of mechanical seal failure; avoids costly motor repairs
- **Cartridge type, duplex mechanical seals** assembled in tandem arrangement; easy maintenance and high reliability
- **High efficiency, closed mixed flow impellers** large diameter solids; lowers operating costs
- **Replaceable case liner ring** maintains working clearances while reducing casing costs

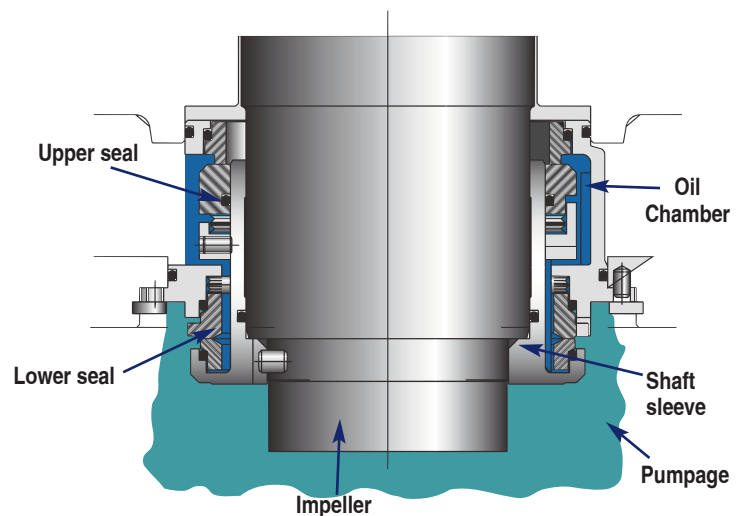
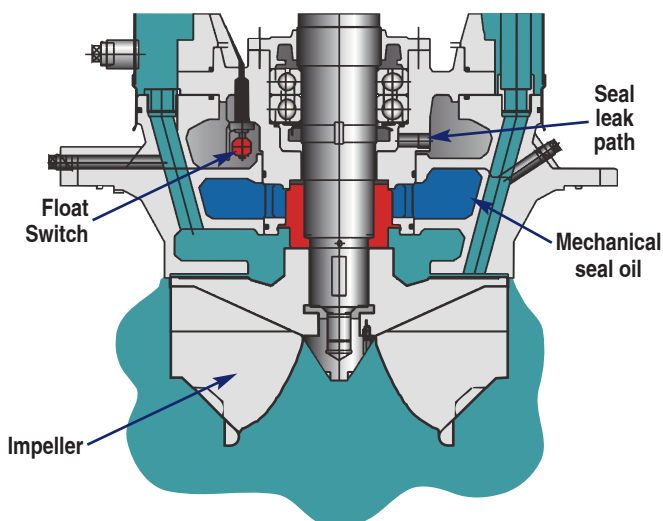


# Model DSC3 / DSCA3

## Model DSC3 sealed junction area



## Leak detection area



- Upper seal O rings — NBR
- Upper seal faces — Carbon vs Ceramic
- Lower seal O rings — Viton
- Lower seal faces — Silicon carbide vs Silicon carbide
- Seal springs — 304SS
- Shaft sleeve — 304SS

*Note:* Optional seal face materials available

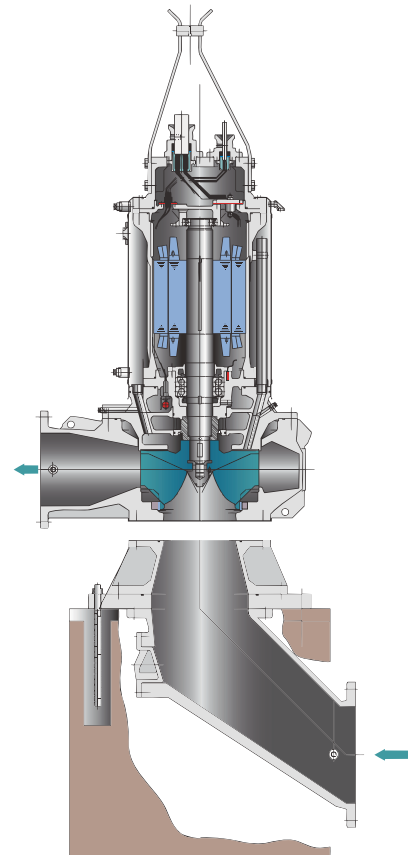
## Double mechanical seal detail

# Model DSC3 / DSCA3

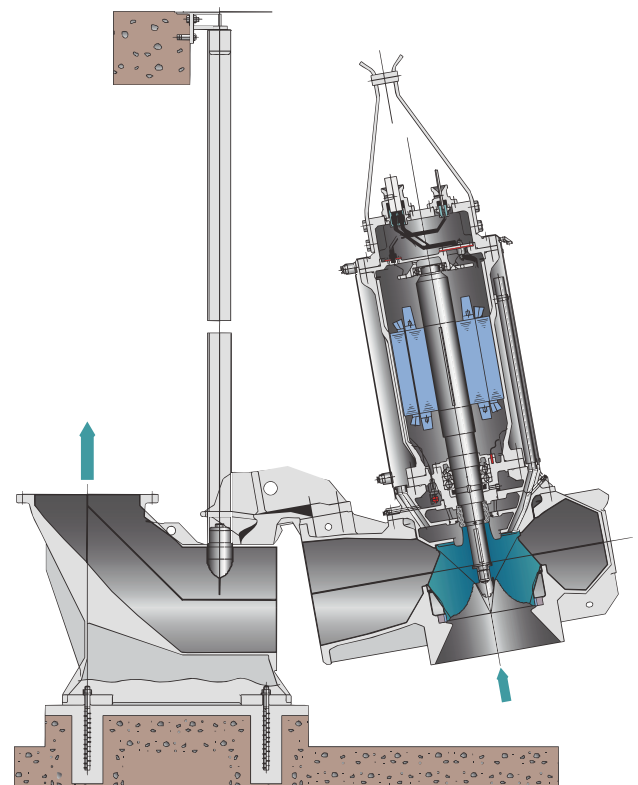
## Standard Specifications

<b>Design</b>	Discharge	6 to 24 inch
	Horsepower	30 to 500
	Capacity	530 to 7000 GPM
	Total head	8 to 300 feet
	Max. Liquid temp.	104°F/40°C
	Max. Submergence	114 feet (35 m)
	Speed	1800, 1200, 900, 700, 600 RPM
<b>Materials</b>	Casing	Cast Iron
	Impeller	Cast Iron
	Casing Ring	420 Stainless Steel (enclosed impeller models)
	Shaft	403 Stainless Steel
	Motor Frame	Cast Iron
	Cooling Jacket	Steel
Fastener	304 Stainless Steel	
<b>Construction</b>	Impeller Type	Enclosed Mixed Flow <i>Optional: Impeller Ring (enclosed impeller models)</i>
	Shaft Seal	Cartridge type duplex mechanical seals in tandem arrangement
	Material – Upper	Carbon/Ceramic
	Material – Lower	Silicon Carbide/Silicon Carbide <i>Optional materials available, consult factory.</i>
	Bearing	Grease Lubricated Ball Bearing
	Motor	Class H insulation Air filled water tight with cooling jacket 15 starts/hour, 1.15 Service Factor <i>Optional: FM explosion proof, Class 1, Group C, D 60Hz, 460V</i> Built-in winding temperature detector Built-in float type leak detector <i>Optional: Temperature detector for thrust bearing</i>
	Mounting method	Wet Pit: Quick discharge connector (QDC) Dry Pit: with baseplate (DSCA4)
	<b>Accessories</b>	33 ft. (15.24 m) water tight rubber insulated flexible cable <i>Optional cable lengths available, consult factory.</i>

ISO 9000, ISO 9001



**Dry Pit Installation**

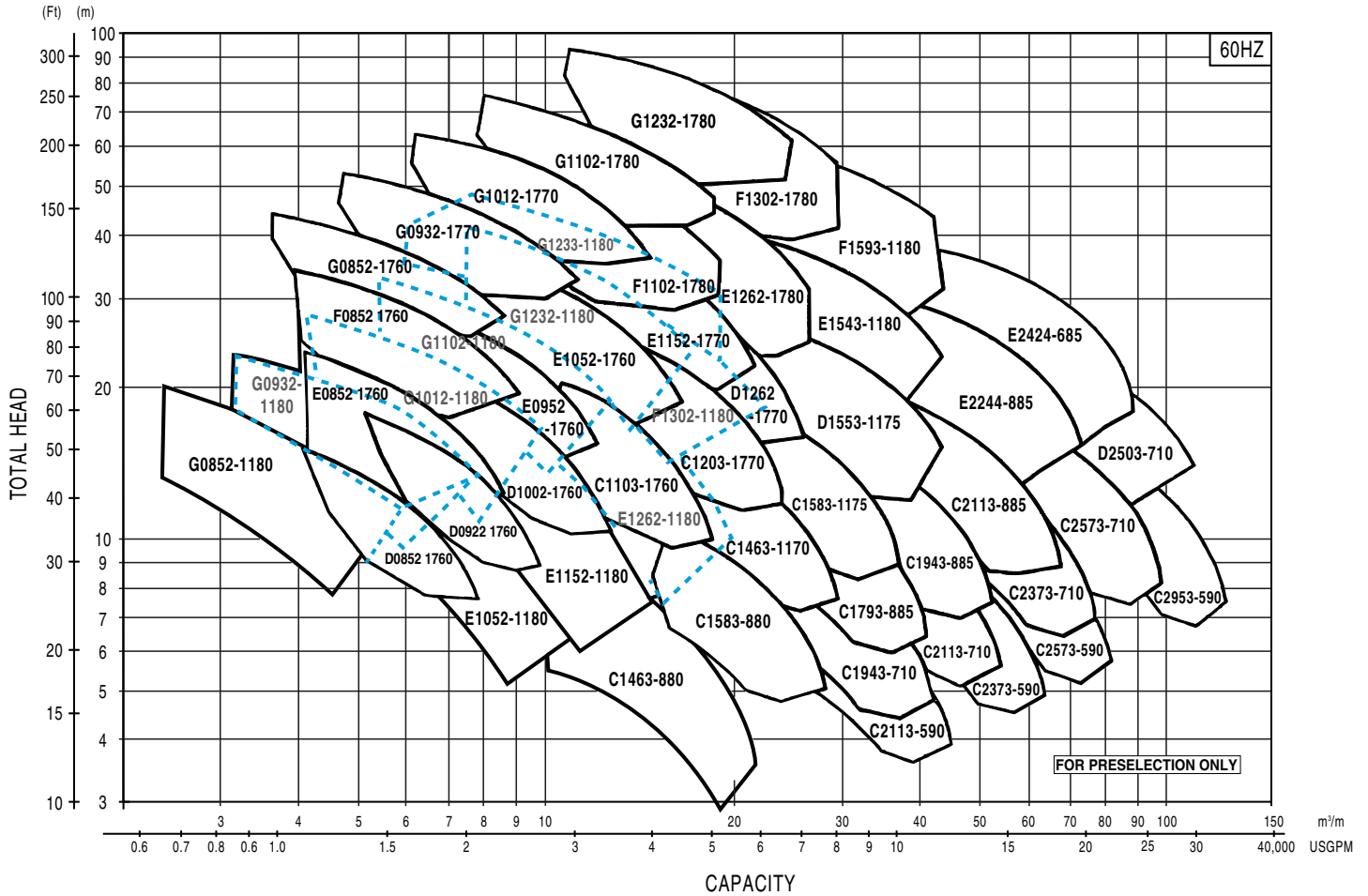


**Wet Pit Installation**



# Model DSC3 / DSCA3

## Selection chart



### EBARA Fluid Handling

1651 Cedar Line Drive • Rock Hill, SC 29730 • t (803) 327-5005 • f (803) 327-5097

[www.pumpsebara.com](http://www.pumpsebara.com)

© 2010 EBARA International Corporation, All rights reserved.

\* All specifications subject to change without notice.

EFHDLFU0116