

Contents

Model

- LM50
- LM65
- LM80
- LL80
- LL100
- LL125
- LL150
- LL250U
- LL300U
- LL150YU
- LL200YU
- LL250YU
- LL300YU

Section	Page
Specifications	2-279
Outline Drawings	2-280
Sectional View	2-286



Specifications

A. General:

The guide rail system design shall be such that the pump will be automatically connected to the discharge piping when lowered into place on the discharge connection. The pump shall be easily removable for inspection or service, requiring no bolts, nuts, or other fasteners to be disconnected, or the need for personnel to enter the wet well.

B. Guide Rail system:

Design shall include two (2) 304SS schedule 40 guide rails sized to mount directly to the quick discharge connector, QDC, at the floor of the wetwell and to a guide rail bracket at the top of the wetwell below the hatch opening, (refer to project drawings).

Intermediate guide brackets are recommended for rail lengths over 15 feet. Guide rails are not part of the pump package and shall be supplied by others.

The QDC shall be manufactured of cast iron, ASTM A48 Class 30. It shall be designed to adequately support the guide rails, discharge piping, and pumping unit under both static and dynamic loading conditions with support legs that are suitable for anchoring it to the wetwell floor.

The face of the inlet QDC flange shall be perpendicular to the floor of the wetwell.

The pump design shall include an integral self-aligning sliding bracket.

Sealing of the pumping unit to the QDC shall be accomplished by a single, linear, downward motion of the pump.

The entire weight of the pump unit shall be guided to and wedged tightly against the inlet flange of the QDC, making metal to metal contact with the pump discharge forming a seal without the use of bolts, gaskets or O-rings.

A stainless steel lifting chain of adequate length for removing and installing the pump unit is recommended. The chain shall have a round link with a 2-¹/₄" inside diameter every two feet. This link will allow for a sliding pinch bar through the link to pick the chain, more than once if necessary, at multiple intervals during pump removal and installation.

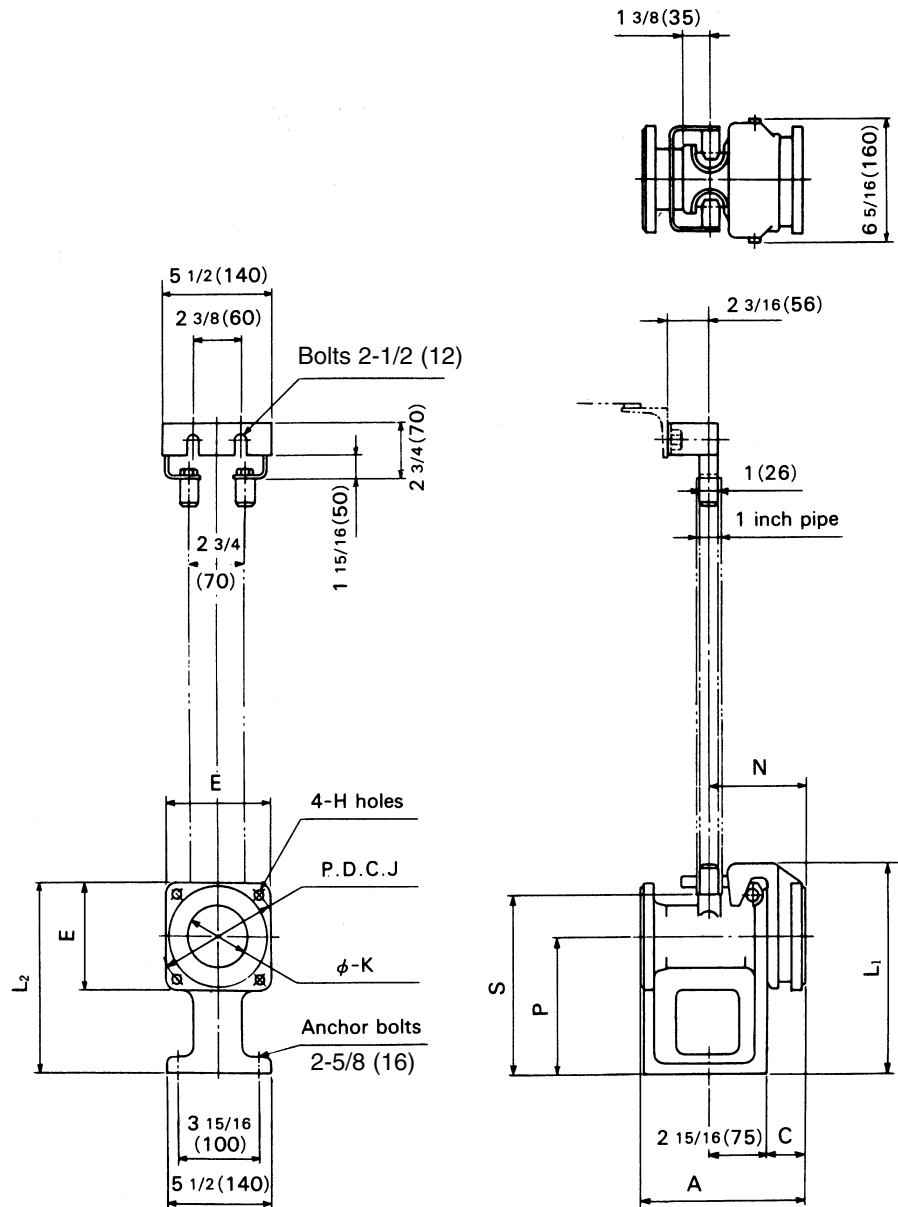


Dimensions

Project: _____ Model: _____ Chk'd: _____ Date: _____

Models LM50, LM65 LM80

- 50DLU, 1 to 2HP
- 80DLU, 2HP
- 80DLMU, 2 to 5HP
- 100DLU, 2 to 5HP
- 50DVU, 1 to 3HP
- 80DVU, 2 to 5HP
- 80DVCU, 3 to 5HP
- 80DVBU, 3 to 5HP
- 32DGUII, 2HP
- 32DGFU, 2HP
- 50DGFU, 3 to 5HP
- 50DLFU, 2HP
- 80DLFU, 2HP
- 80DLMFU, 2 TO 7½HP
- 100 DLFU, 2 to 5HP
- 50DVFU, 2 to 3HP
- 80DVFU, 2HP
- 80DVCFU, 3 to 5HP
- 80DVBFU, 3 to 5HP
- 80DVFU, 7½HP



Dimensions: inch

MODEL	A	C	E	H	J	K	L ₁	L ₂	N	P	S	WEIGHT Lb
LM50	7 ¹¹ / ₁₆	1 ⁹ / ₁₆	4 ⁵ / ₁₆	½	4 ³ / ₄	2	8 ¹ / ₄	7 ¹ / ₂	4 ¹ / ₂	5 ⁵ / ₁₆	6 ¹ / ₂	24
LM65	8 ⁷ / ₁₆	1 ³ / ₄	5 ¹ / ₈	½	5 ¹ / ₂	2 ¹ / ₂	9 ¹ / ₁₆	8 ¹ / ₄	4 ³ / ₄	5 ¹¹ / ₁₆	7 ¹ / ₂	31
LM80	8 ⁷ / ₁₆	1 ¹⁵ / ₁₆	5 ¹ / ₂	9 ¹ / ₁₆	6 ¹ / ₈	3	10 ⁵ / ₁₆	9 ⁵ / ₈	4 ¹⁵ / ₁₆	6 ⁷ / ₈	9 ¹ / ₁₆	37

Dimensions: mm

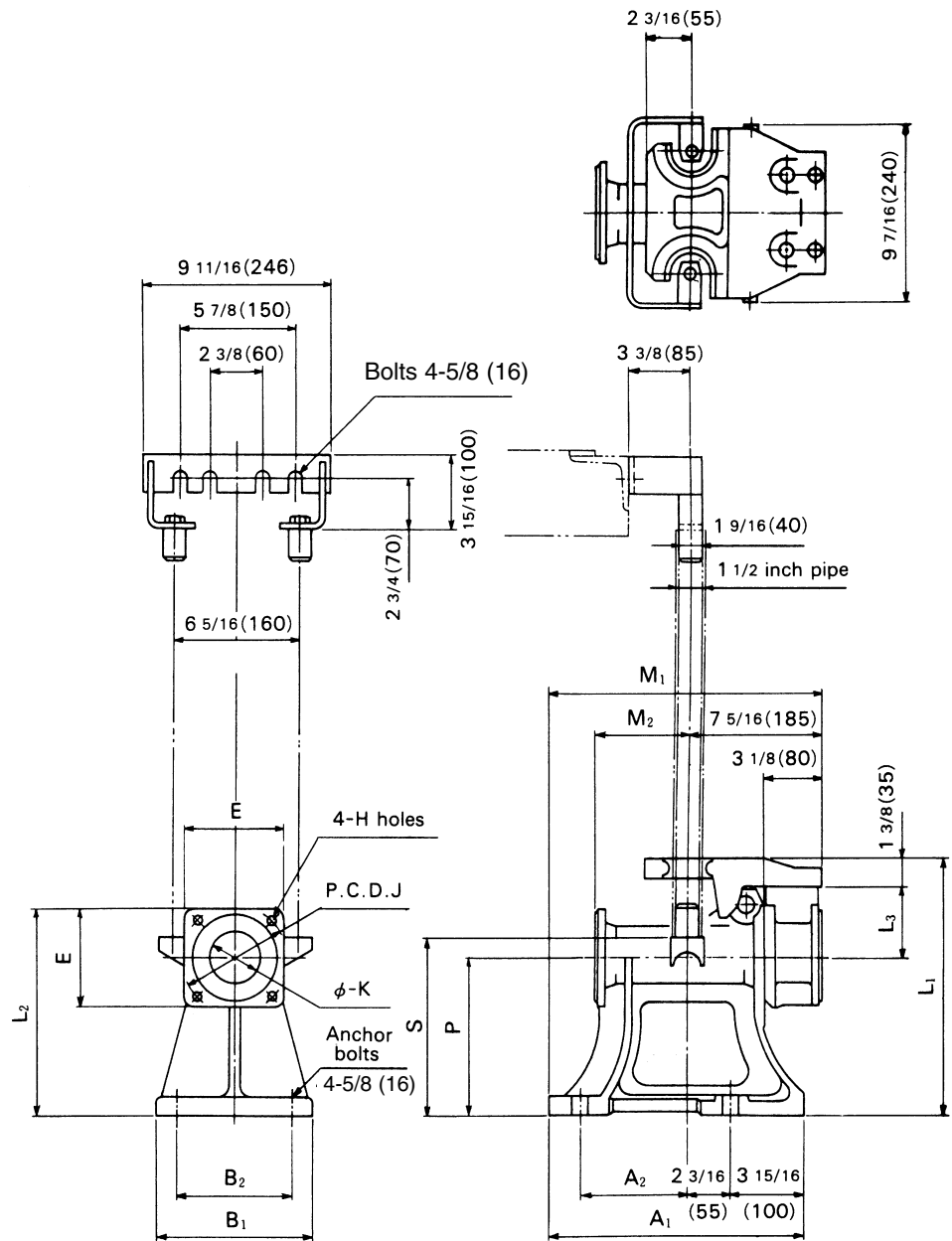
MODEL	A	C	E	H	J	K	L ₁	L ₂	N	P	S	WEIGHT kg
LM50	195	40	110	12	120	50	210	190	115	135	165	11
LM65	215	45	130	12	140	65	230	210	120	145	190	14
LM80	215	50	140	15	155	80	270	245	125	175	230	17

Dimensions

Project: _____ Model: _____ Chk'd: _____ Date: _____

Models LL80, LL100

- 80DLU, 3 to 5HP
- 80DLCMFU, 10 to 15HP
- 100DVU, 5HP
- 80DLFU, 3 to 30HP
- 100DLMFU, 2 to 30HP
- 80DVFU, 10HP
- 80DVBFU, 15HP
- 80DVCFU, 15 to 30 HP
- 100DVFU, 5 to 10HP
- 100DVBFU, 15HP
- 100DVCFU, 15 to 20HP
- 100DVFU, 15 to 30HP



Dimensions: inch

MODEL	A ₁	A ₂	B ₁	B ₂	E	H	J	K	L ₁	L ₂	L ₃	M ₁	M ₂	P	S	WEIGHT Lb
LL80	14 ³ / ₁₆	6 ¹ / ₂	9 ¹ / ₁₆	7 ¹ / ₁₆	5 ¹ / ₂	⁹ / ₁₆	6 ¹ / ₈	3	14 ⁹ / ₁₆	12 ³ / ₁₆	3 ³ / ₄	15 ³ / ₈	4 ³ / ₄	9 ⁷ / ₁₆	10 ⁷ / ₁₆	97
LL100	14 ³ / ₁₆	6 ¹ / ₂	9 ¹ / ₁₆	7 ¹ / ₁₆	6 ⁵ / ₁₆	³ / ₄	6 ⁷ / ₈	4	14 ¹⁵ / ₁₆	12 ⁵ / ₈	4 ¹ / ₈	15 ³ / ₈	4 ¹ / ₈	9 ⁷ / ₁₆	10 ⁷ / ₁₆	101

Dimensions: mm

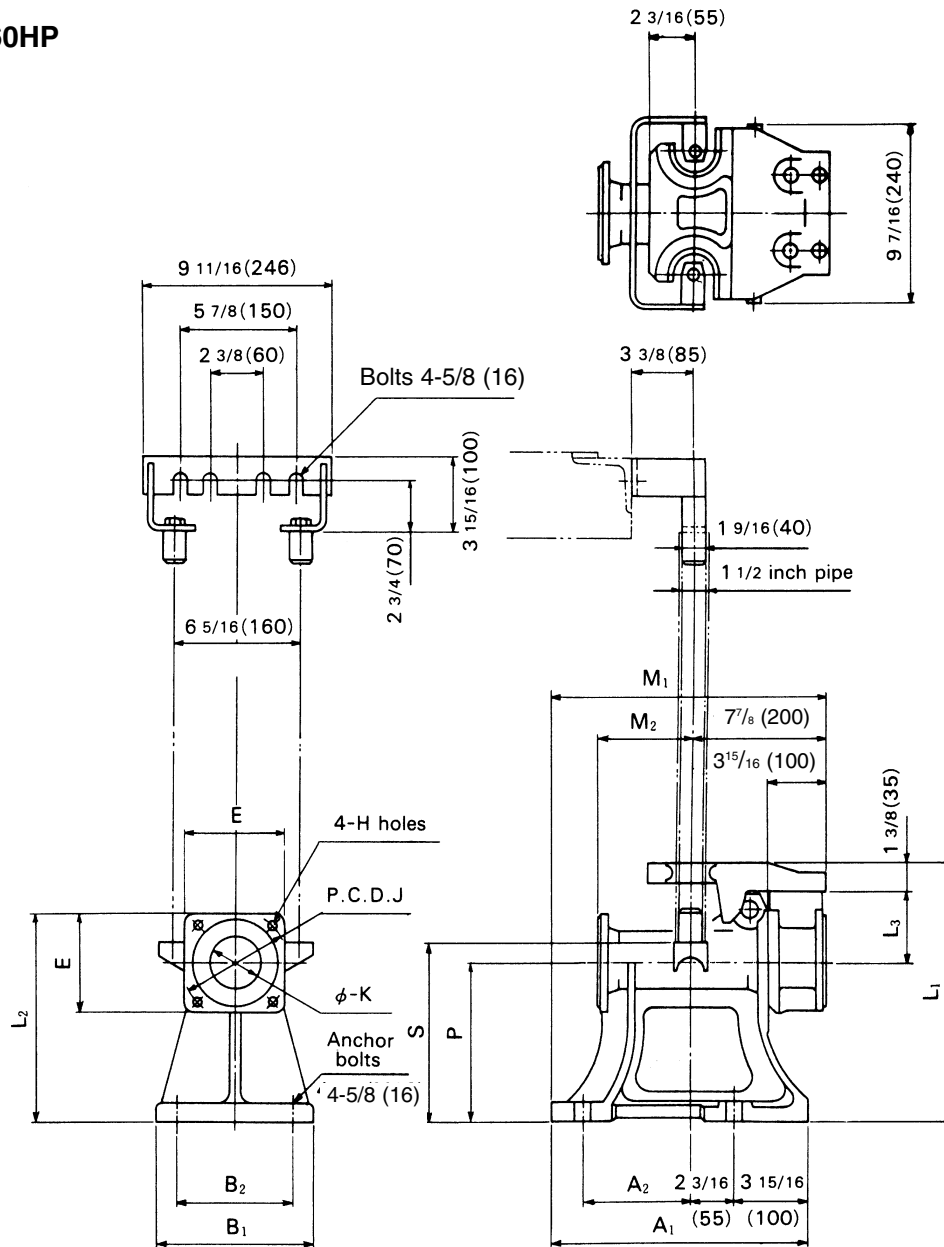
MODEL	A ₁	A ₂	B ₁	B ₂	E	H	J	K	L ₁	L ₂	L ₃	M ₁	M ₂	P	S	WEIGHT kg
LL80	360	165	230	180	140	15	155	80	370	310	95	390	120	240	255	44
LL100	360	165	230	180	160	19	175	100	380	320	105	390	105	240	265	46

Dimensions

Project: _____ Model: _____ Chk'd: _____ Date: _____

Model LL100

100DLFU, 40 to 60HP



Dimensions: inch

MODEL	A ₁	A ₂	B ₁	B ₂	E	H	J	K	L ₁	L ₂	L ₃	M ₁	M ₂	P	S	WEIGHT Lb
LL100	14 ³ / ₁₆	6 ¹ / ₂	9 ¹ / ₁₆	7 ¹ / ₁₆	6 ⁵ / ₁₆	3/4	6 ⁷ / ₈	4	14 ⁷ / ₁₆	12 ⁵ / ₈	4 ¹ / ₈	15 ³ / ₈	4 ¹ / ₈	9 ⁷ / ₁₆	10 ⁷ / ₁₆	101

Dimensions: mm

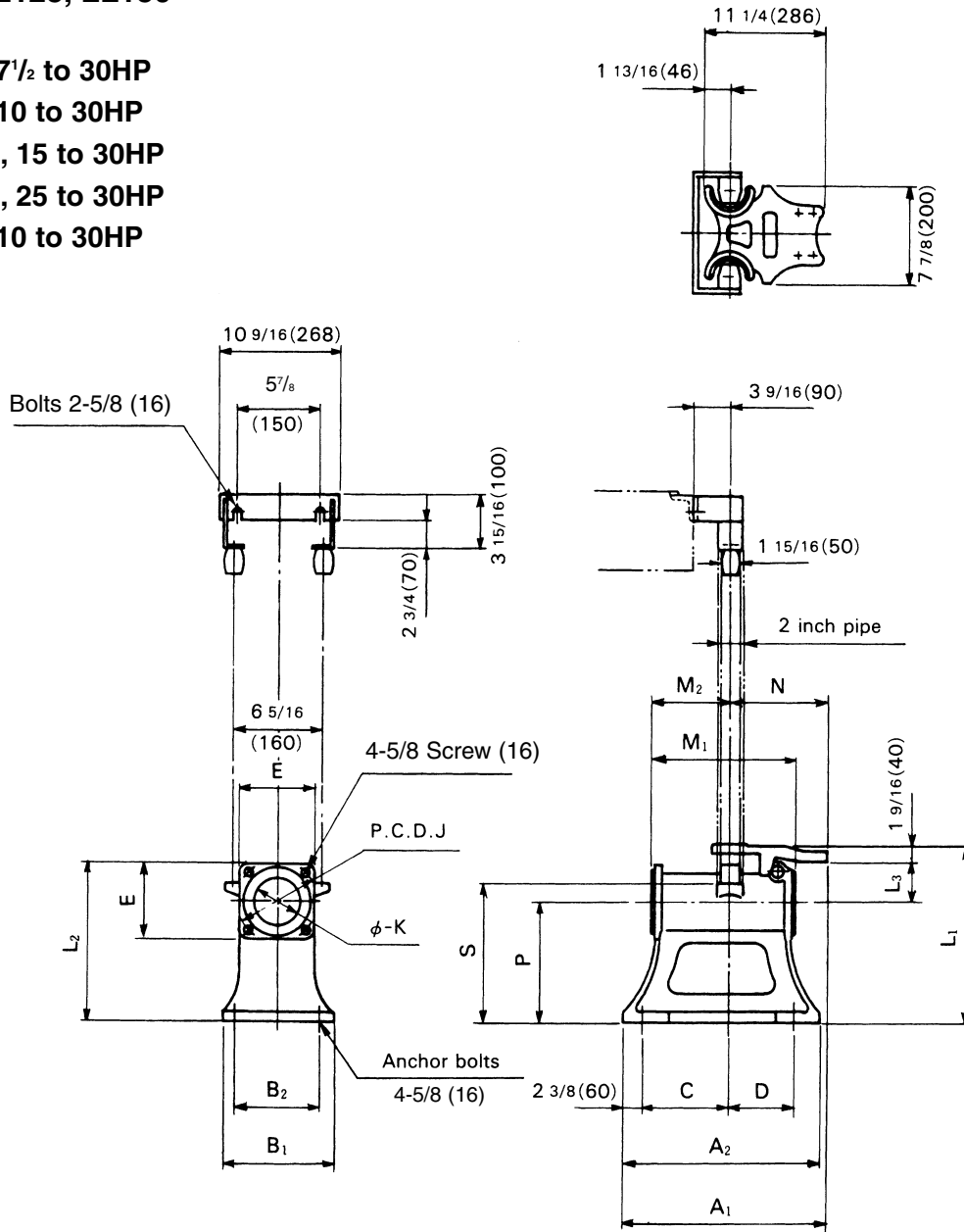
MODEL	A ₁	A ₂	B ₁	B ₂	E	H	J	K	L ₁	L ₂	L ₃	M ₁	M ₂	P	S	WEIGHT kg
LL100	360	165	230	180	160	19	175	100	380	320	105	390	105	240	265	46

Dimensions

Project: _____ Model: _____ Chk'd: _____ Date: _____

Models LL125, LL150

- 100DLFU, 7 1/2 to 30HP
- 150DLFU, 10 to 30HP
- 150DVBFU, 15 to 30HP
- 150DVCFU, 25 to 30HP
- 200DLFU, 10 to 30HP



Dimensions: inch

MODEL	A ₁	A ₂	B ₁	B ₂	C	D	E	J	K	L ₁	L ₂	L ₃	M ₁	M ₂	N	P	S	WEIGHT Lb
LL125	19 7/8	19 7/16	13	11	8 1/16	6 1/2	7 1/2	8 3/4	5	16 5/16	15 3/16	3 5/16	13 3/4	7 11/16	2 3/4	11 1/16	14 1/4	143
LL150	20 1/2	20 7/16	13 3/4	11 13/16	8 11/16	6 11/16	8 11/16	9 13/16	6	18 9/16	16 5/16	4 7/16	14 3/16	8 1/16	2 5/16	12 5/8	15 5/16	176

Dimensions: mm

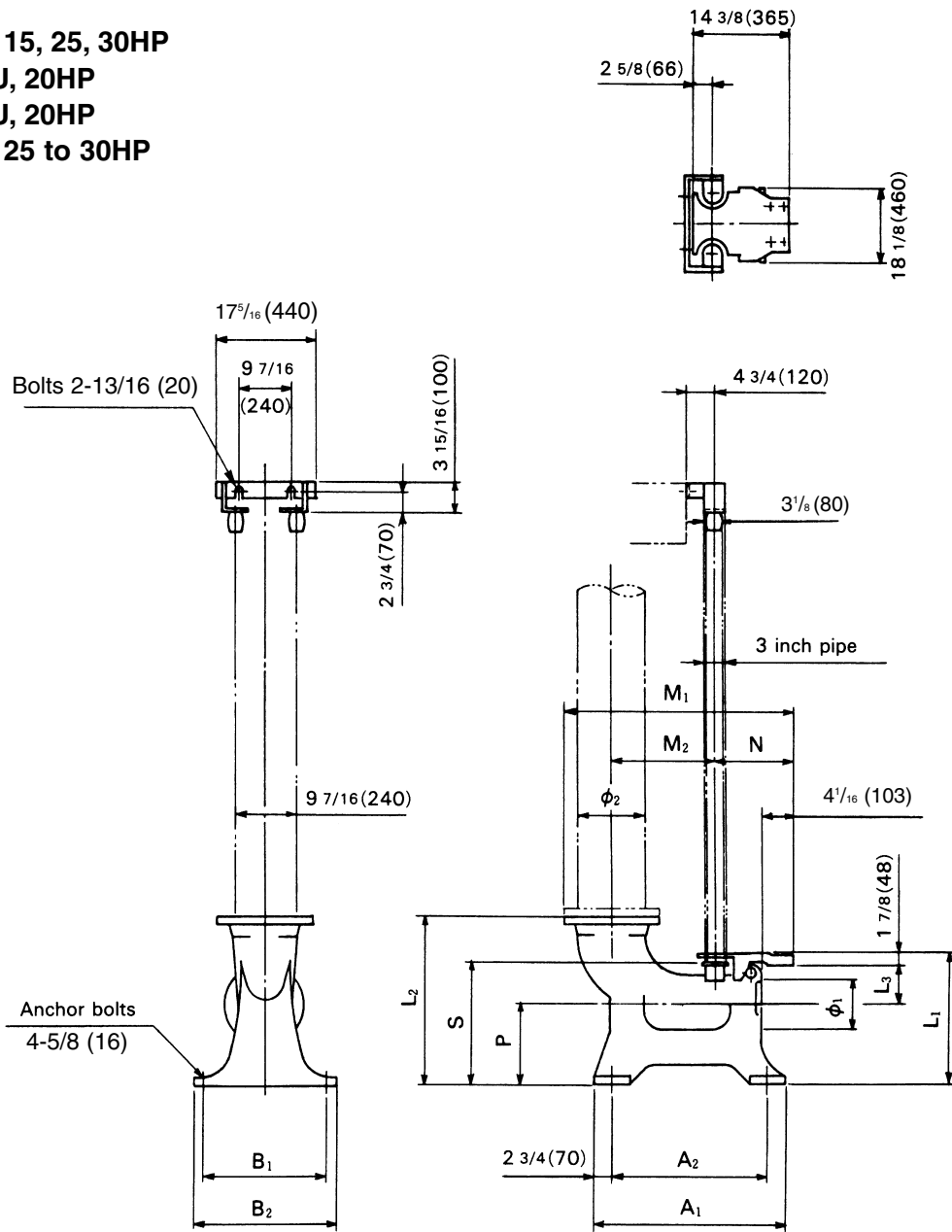
MODEL	A ₁	A ₂	B ₁	B ₂	C	D	E	J	K	L ₁	L ₂	L ₃	M ₁	M ₂	N	P	S	WEIGHT kg
LL125	505	490	330	280	205	165	190	210	125	430	385	100	350	195	70	290	362	65
LL150	520	510	350	300	220	170	220	250	150	472	430	112	360	205	75	320	405	80

Dimensions

Project: _____ Model: _____ Chk'd: _____ Date: _____

Models LL250U, LL300U

- 250DLFU, 15, 25, 30HP
- 250DLBFU, 20HP
- 250DLCFU, 20HP
- 300DLFU, 25 to 30HP



Dimensions: inch

MODEL	ø ₁	ø ₂	A ₁	A ₂	B ₁	B ₂	L ₁	L ₂	L ₃	M ₁	M ₂	N	P	S	WEIGHT Lb
LL250U	8	10	31 ¹ / ₈	25 ⁹ / ₁₆	19 ¹¹ / ₁₆	22 ⁷ / ₁₆	21 ⁹ / ₁₆	27 ⁹ / ₁₆	5 ⁷ / ₈	36 ¹⁵ / ₁₆	17 ¹ / ₈	11 ³ / ₄	13 ³ / ₄	17 ² / ₁₆	331
LL300U	10	12	32 ² / ₁₆	26 ³ / ₄	22 ¹³ / ₁₆	25 ⁵ / ₁₆	25 ¹¹ / ₁₆	31 ¹ / ₂	6 ⁷ / ₈	39	18 ⁵ / ₁₆	11 ³ / ₄	16 ¹⁵ / ₁₆	17 ¹¹ / ₁₆	441

Dimensions: mm

MODEL	ø ₁	ø ₂	A ₁	A ₂	B ₁	B ₂	L ₁	L ₂	L ₃	M ₁	M ₂	N	P	S	WEIGHT kg
LL250U	200	250	790	650	500	560	548	700	150	938	435	298	350	440	150
LL300U	250	300	820	680	580	640	653	800	175	991	465	298	430	450	200

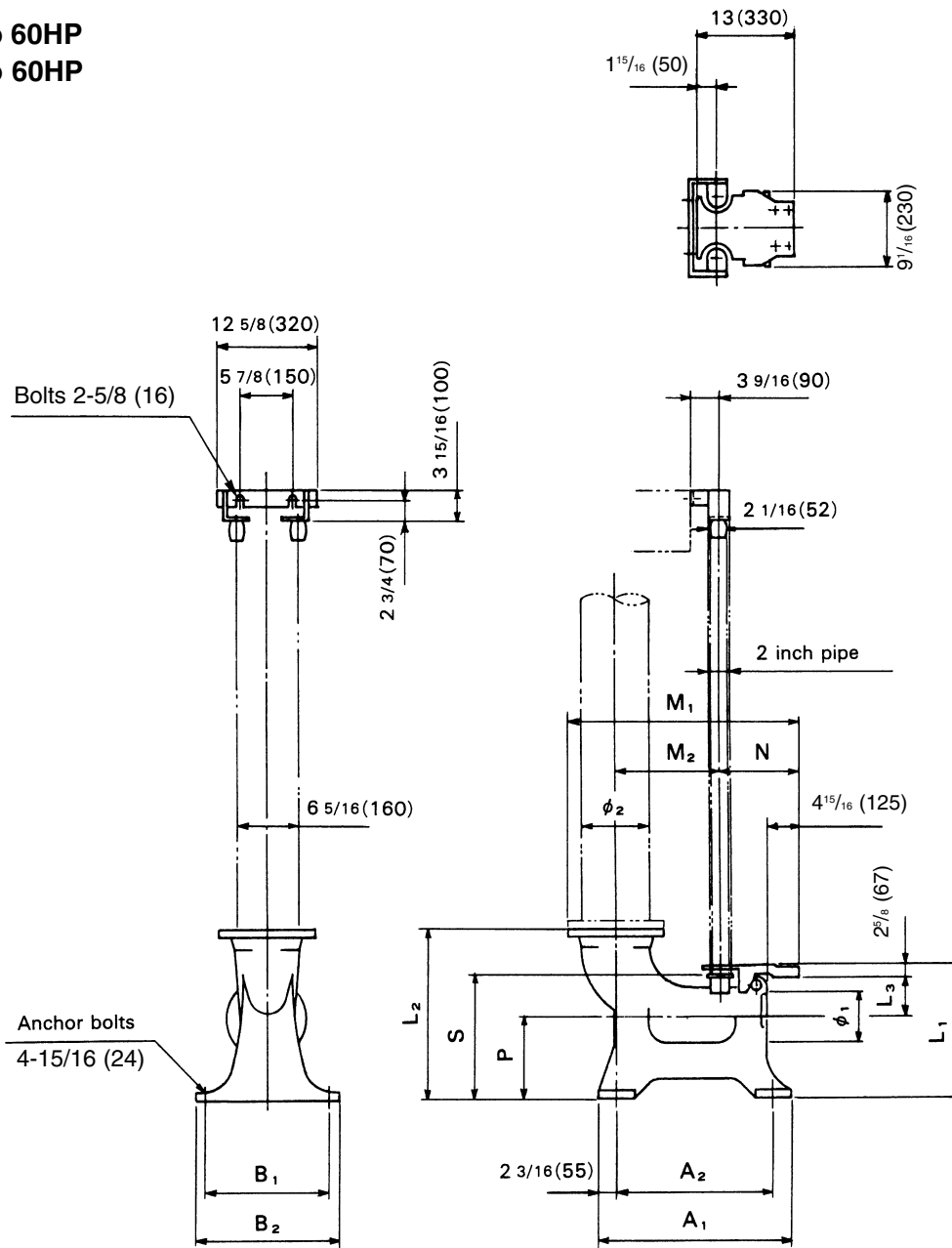
Dimensions

Project: _____ Model: _____ Chk'd: _____ Date: _____

Models LL150YU, LL200YU

150DLFU, 40 to 60HP

200DLFU, 40 to 60HP



Dimensions: inch

MODEL	ø ₁	ø ₂	A ₁	A ₂	B ₁	B ₂	L ₁	L ₂	L ₃	M ₁	M ₂	N	P	S	WEIGHT Lb
LL150YU	6	6	20 1/2	16 7/8	14 3/16	16 7/8	19 3/4	19 11/16	4 15/16	29 7/16	12 13/16	11	12 3/16	15 7/16	179
LL200YU	6	8	21 5/8	17 5/16	16 9/16	18 1/2	21 5/16	23 5/8	4 15/16	31 3/4	14	11	13 3/4	16 3/4	227

Dimensions: mm

MODEL	ø ₁	ø ₂	A ₁	A ₂	B ₁	B ₂	L ₁	L ₂	L ₃	M ₁	M ₂	N	P	S	WEIGHT kg
LL150YU	150	150	520	410	360	410	502	500	125	745	325	280	310	385	81
LL200YU	150	200	550	440	420	470	542	600	125	807	355	280	350	425	103

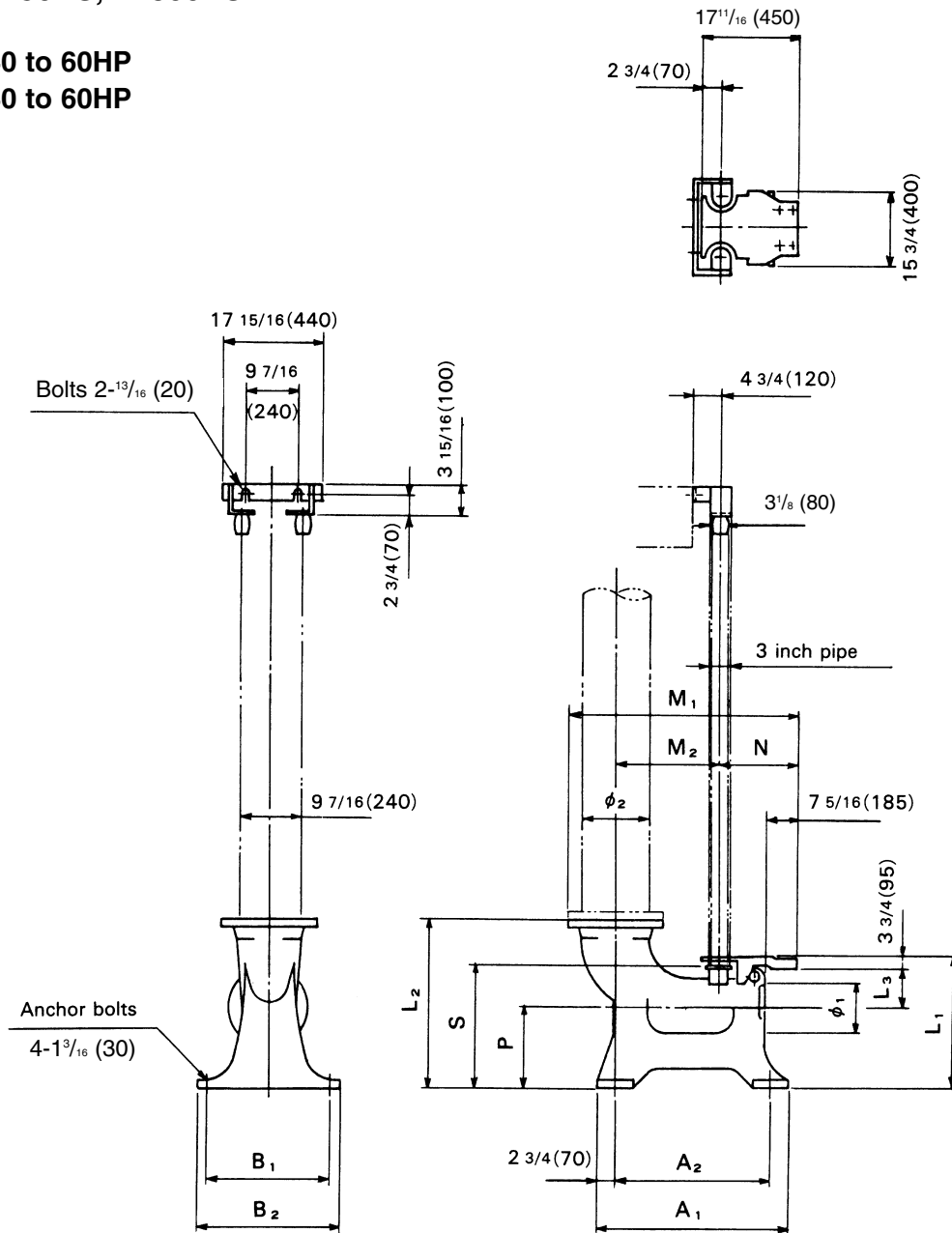
Dimensions

Project: _____ Model: _____ Chk'd: _____ Date: _____

Models LL250YU, LL300YU

250DLFU, 40 to 60HP

300DLFU, 40 to 60HP



Dimensions: inch

MODEL	ø ₁	ø ₂	A ₁	A ₂	B ₁	B ₂	L ₁	L ₂	L ₃	M ₁	M ₂	N	P	S	WEIGHT Lb
LL250YU	8	10	31 1/8	25 9/16	19 11/16	22 1/16	23 7/16	27 9/16	5 7/8	40 1/16	17 1/8	14 15/16	13 3/4	17 5/16	344
LL300YU	10	12	32 5/16	26 3/4	22 13/16	25 3/16	27 9/16	31 1/2	6 7/8	42 13/16	18 9/16	14 15/16	16 15/16	21 5/8	450

Dimensions: mm

MODEL	ø ₁	ø ₂	A ₁	A ₂	B ₁	B ₂	L ₁	L ₂	L ₃	M ₁	M ₂	N	P	S	WEIGHT kg
LL250YU	200	250	790	650	500	560	595	700	150	1018	435	380	350	440	156
LL300YU	250	300	820	680	580	640	700	800	175	1087	465	380	430	550	204

Sectional View

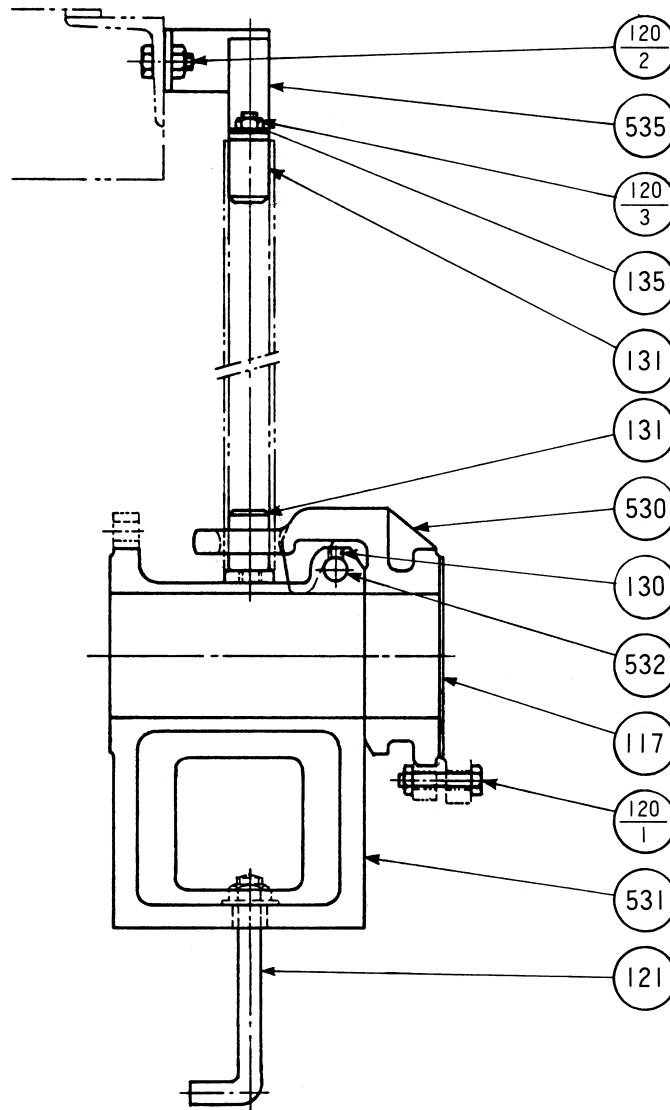
Project:

Model:

Chk'd:

Date:

Models LM50, LM65, LM80



Part No.	Part Name	Material		ASTM, AISI, CODE		No. for 1 Unit
		Model LM	Model LME	Model LM	Model LME	
117	Gasket					1
120-1	Bolt & Nut	304 Stainless		AISI304		4
120-2	Bolt & Nut	304 Stainless		AISI304		2
120-3	Nut	304 Stainless		AISI304		2
121	Anchor Bolt	Steel		A283 Grade D		2
130	Set Screw	304 Stainless		AISI304		1
131	Guide Pin	Steel	Brass	A283 Grade D	B36 C27200	4
135	Washer	304 Stainless		AISI403		2
530	Connector	Cast Iron	Bronze	A48 Class 30	B584 C83600	1
531	Body	Cast Iron		A48 Class 30		1
532	Support Bar	420 Stainless		AISI420		1
535	Guide Support Plate	Steel		A283 Grade D		1



Sectional View

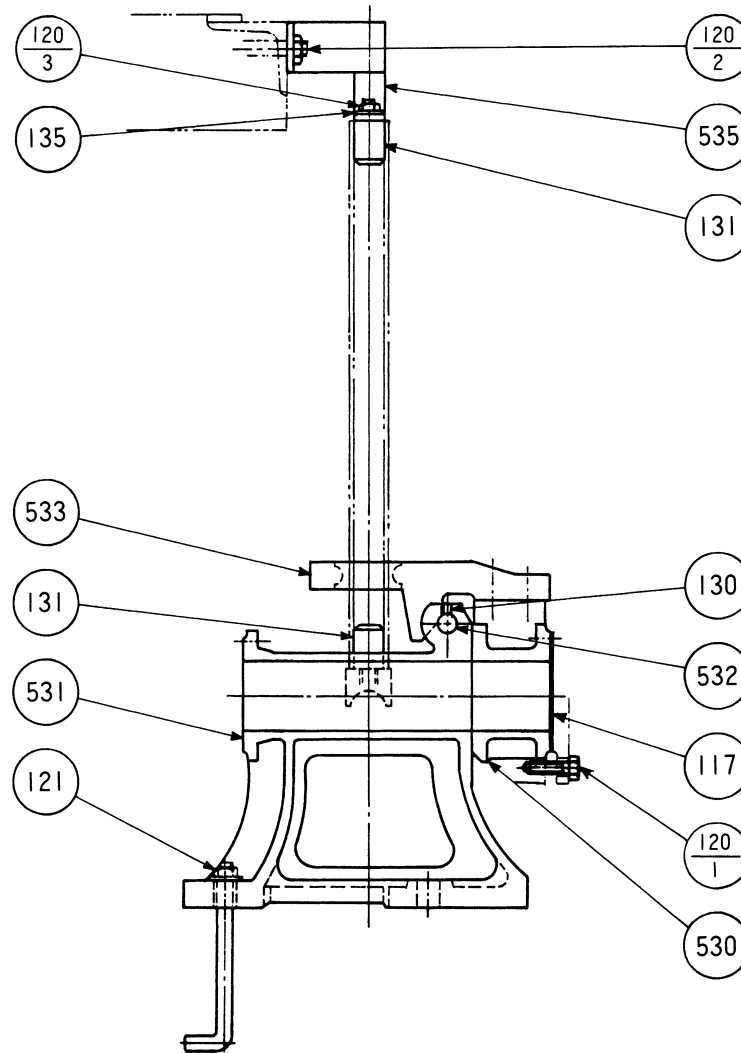
Project:

Model:

Chk'd:

Date:

Models LL80, LL100



Part No.	Part Name	Material		ASTM, AISI, CODE		No. for 1 Unit
		Model LL	Model LLE	Model LL	Model LLE	
117	Gasket					1
120-1	Bolt	304 Stainless		AISI304		4
120-2	Nut	304 Stainless		AISI304		2
120-3	Nut	304 Stainless		AISI304		2
121	Anchor Bolt	Steel		A283 Grade D		4
130	Set Screw	304 Stainless		AISI304		1
131	Guide Pin	Steel	Brass	A283 Grade D	B36 C27200	4
135	Washer	304 Stainless		AISI304		2
530	Connector	Cast Iron	Bronze	A48 Class 30	B584 C83600	1
531	Body	Cast Iron		A48 Class 30		1
532	Support Bar	420 Stainless		AISI420		1
533	Sliding Guide	Cast Iron	Bronze	A48 Class 30	B584 C83600	1
535	Guide Support Plate	Steel		A283 Grade D		1



Sectional View

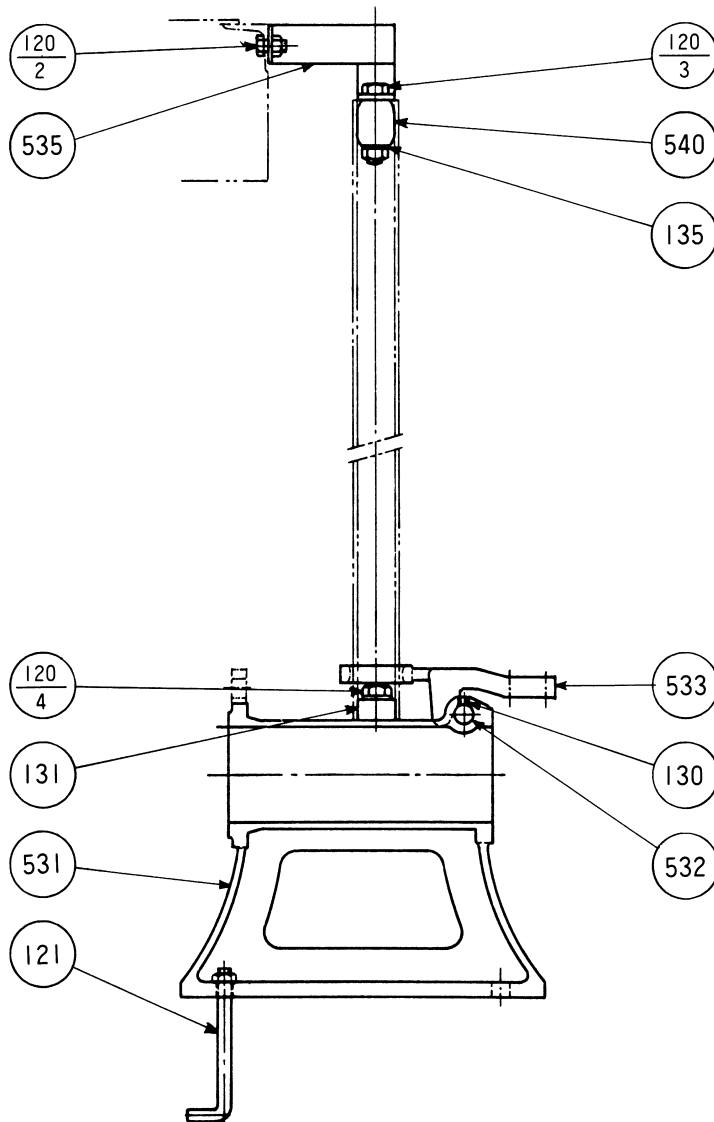
Project:

Model:

Chk'd:

Date:

Models LL125, LL150



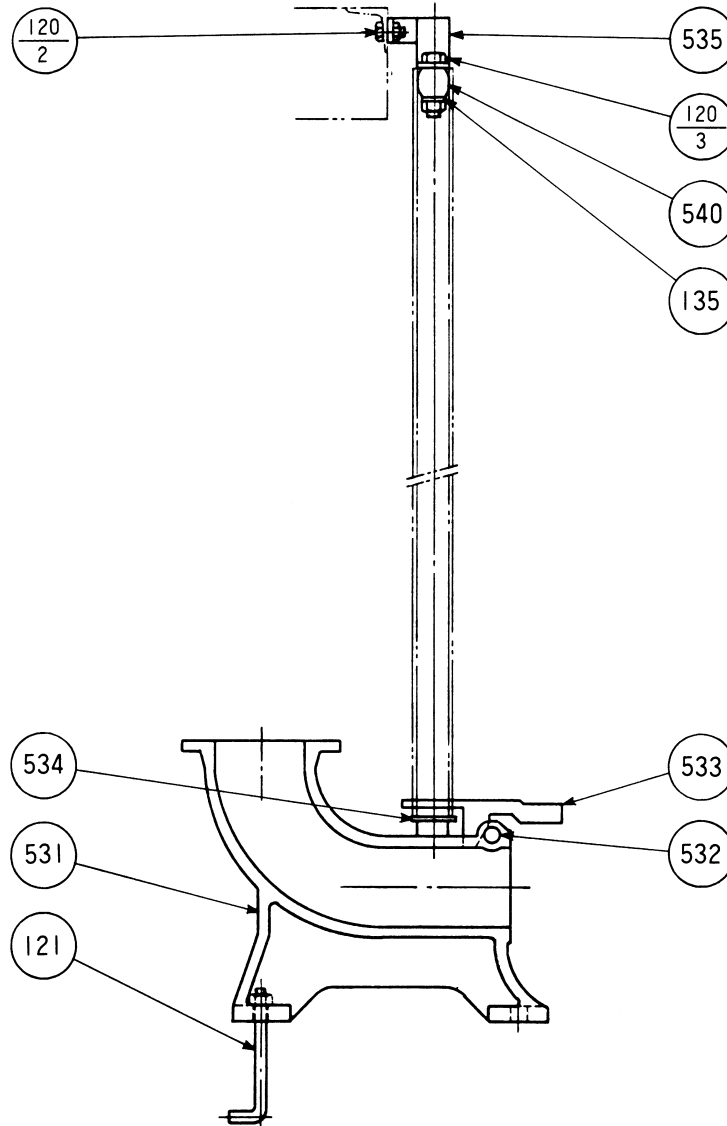
Part No.	Part Name	Material		ASTM, AISI, CODE		No. for 1 Unit
		Model LL	Model LLE	Model LL	Model LLE	
120-2	Bolt & Nut	Steel		A283 Grade D		2
120-3	Bolt & Nut	Steel		A283 Grade D		2
120-4	Bolt	316 Stainless		AISI316		2
121	Anchor Bolt	Steel		A283 Grade D		4
130	Set Screw	304 Stainless		AISI304		1
131	Guide Pin	Steel	Brass	A283 Grade D	B36 C27200	2
135	Washer	Steel		A283 Grade D		2
531	Body	Cast Iron		A48 Class 30		1
532	Support Bar	420 Stainless		AISI420		1
533	Sliding Guide	Cast Iron	Bronze	A48 Class 30	B584 C83600	1
535	Guide Support Plate	Steel		A283 Grade D		1
540	Rubber Ring	Rubber (NR)				1



Sectional View

Project: _____ Model: _____ Chk'd: _____ Date: _____

Models LL250U, LL300U, LL150YU, LL200YU, LL250YU, LL300YU



Part No.	Part Name	Material		ASTM, AISI, CODE		No. for 1 Unit
		Model LL	Model LLE	Model LL	Model LLE	
120-2	Bolt & Nut	Steel		A283 Grade D		2
120-3	Bolt & Nut	Steel		A283 Grade D		2
121	Anchor Bolt	Steel		A283 Grade D		4
135	Washer	Steel		A283 Grade D		2
531	Body	Cast Iron		A48 Class 30		1
532	Support Bar	420 Stainless		AISI420		1
533	Sliding Guide	Cast Iron	Bronze	A48 Class 30	B584 C83600	1
534	Pipe Support Plate	304 S.S.	Brass	AISI304	B36 C27200	1
535	Guide Support Plate	Steel		A283 Grade D		1
540	Rubber Ring	Rubber (NR)				2



