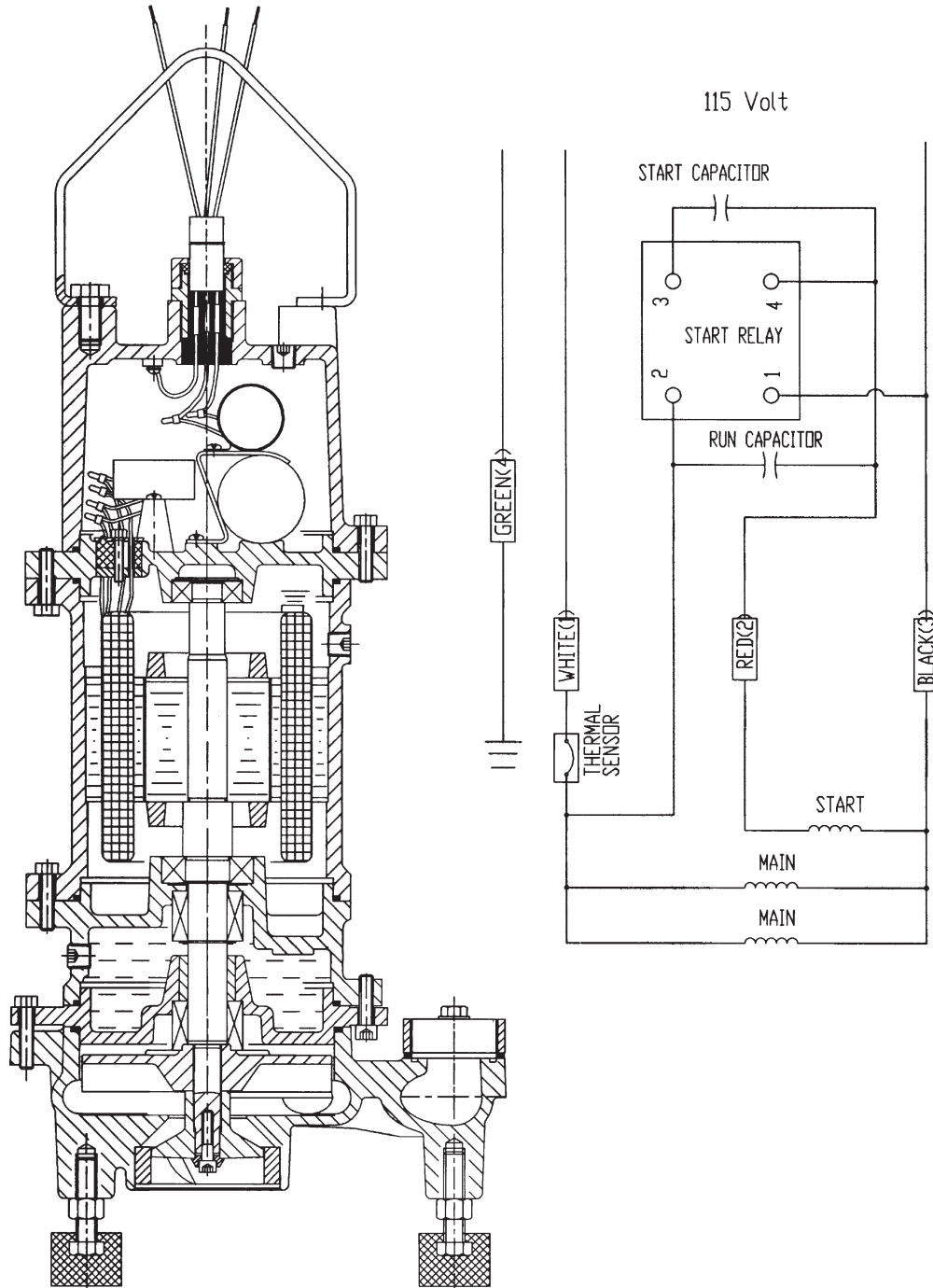


Motor Wiring Diagram

Project: _____ Model: _____ Chk'd: _____ Date: _____

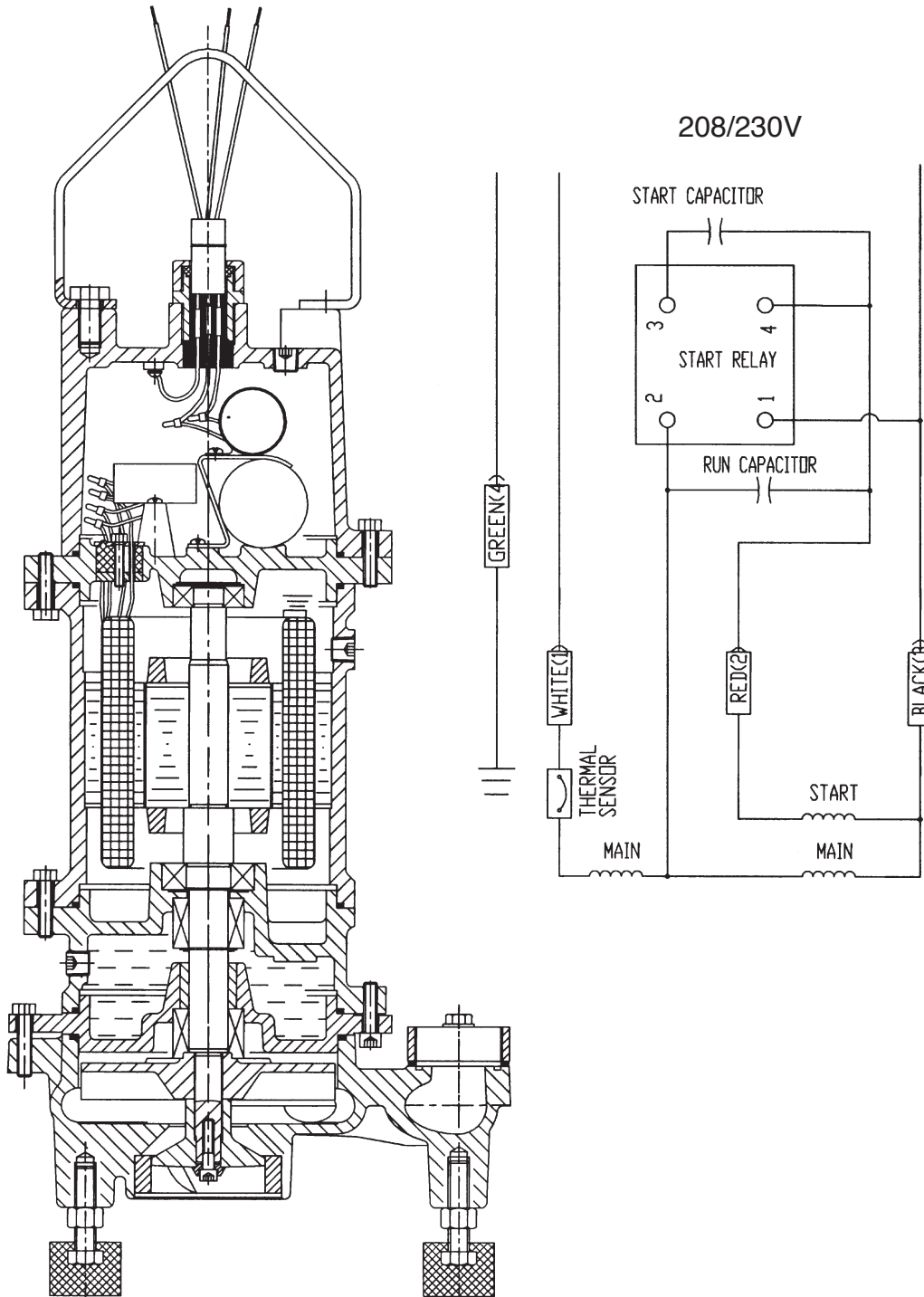
EBG2-115
2HP, 115V, Single Phase



Motor Wiring Diagram

Project: _____ Model: _____ Chk'd: _____ Date: _____

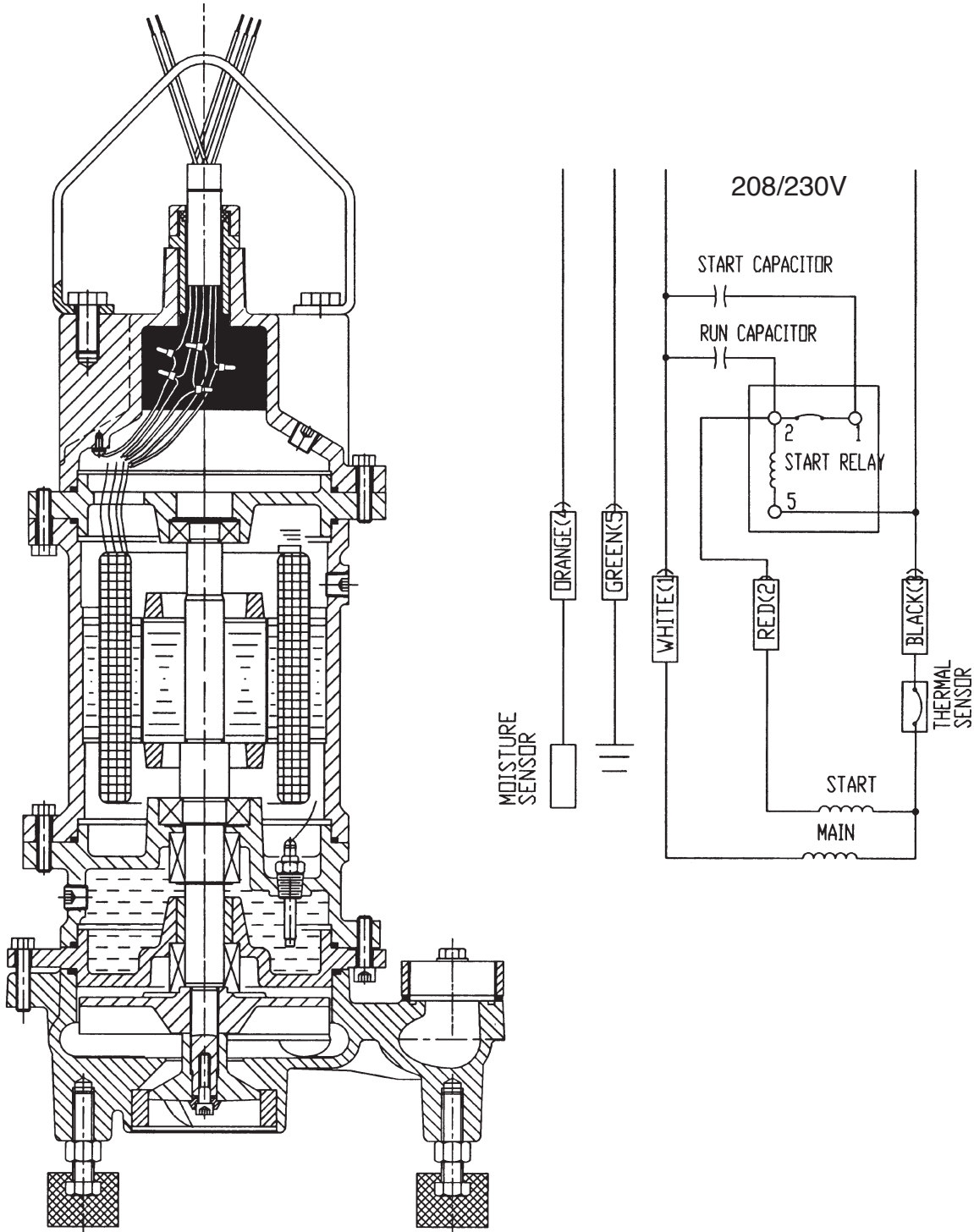
EB(H)G2-212C
2HP, 208/230V, Single Phase



Motor Wiring Diagram

Project: _____ Model: _____ Chk'd: _____ Date: _____

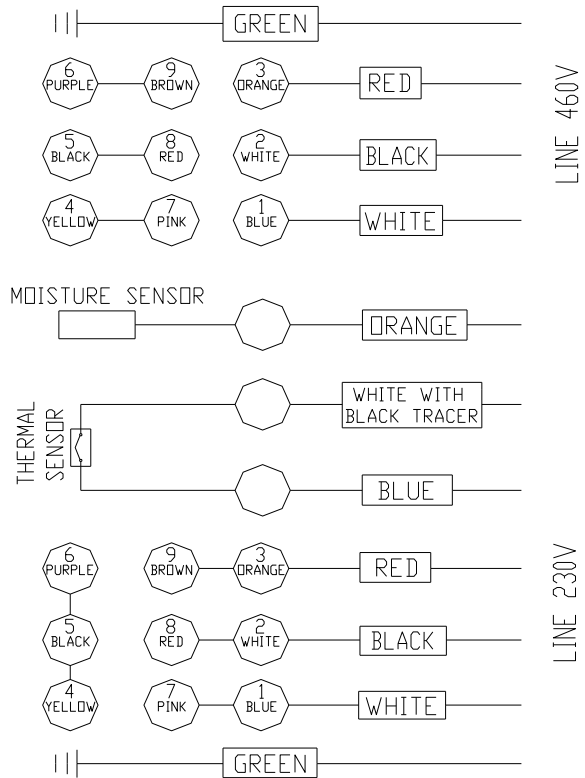
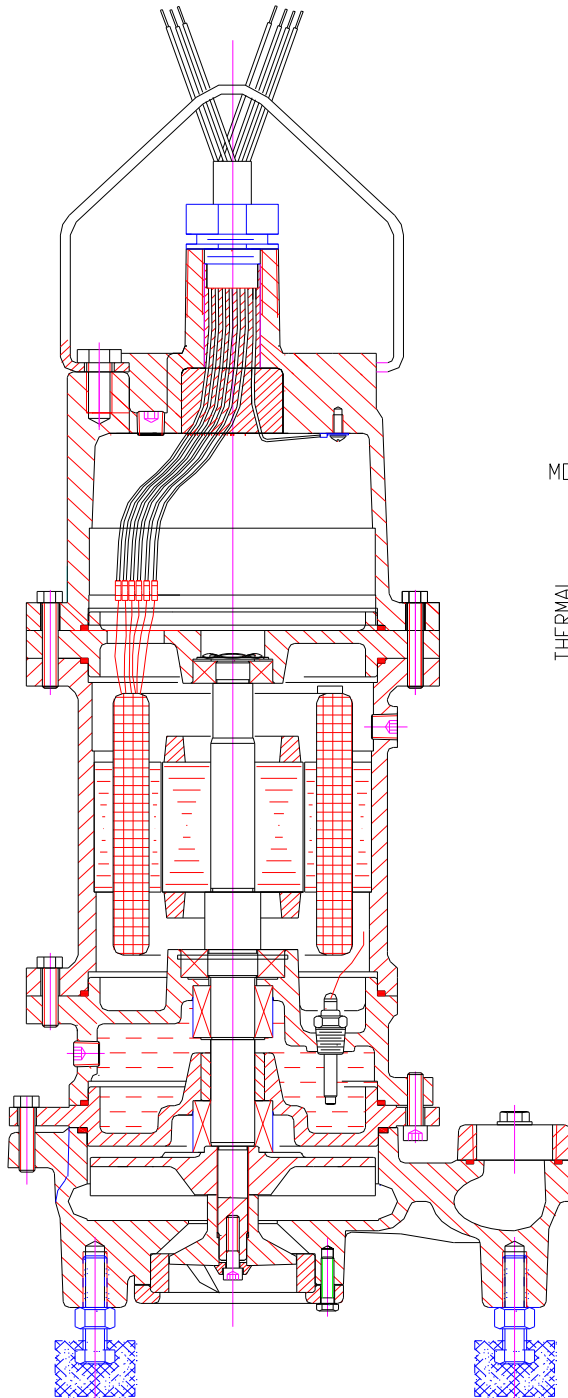
EB(H)G2-21
2HP, 208/230V, Single Phase



Motor Wiring Diagram

Project: _____ Model: _____ Chk'd: _____ Date: _____

EB(H)G2-23
2HP, 208/230/460V, Three Phase



230 VOLT		ΩHM
WHITE	BLACK	3.1
WHITE	RED	3.1
BLACK	RED	3.1
460 VOLT		
WHITE	BLACK	12.4
WHITE	RED	12.4
BLACK	RED	12.4

Motor Wiring Diagram

Project:

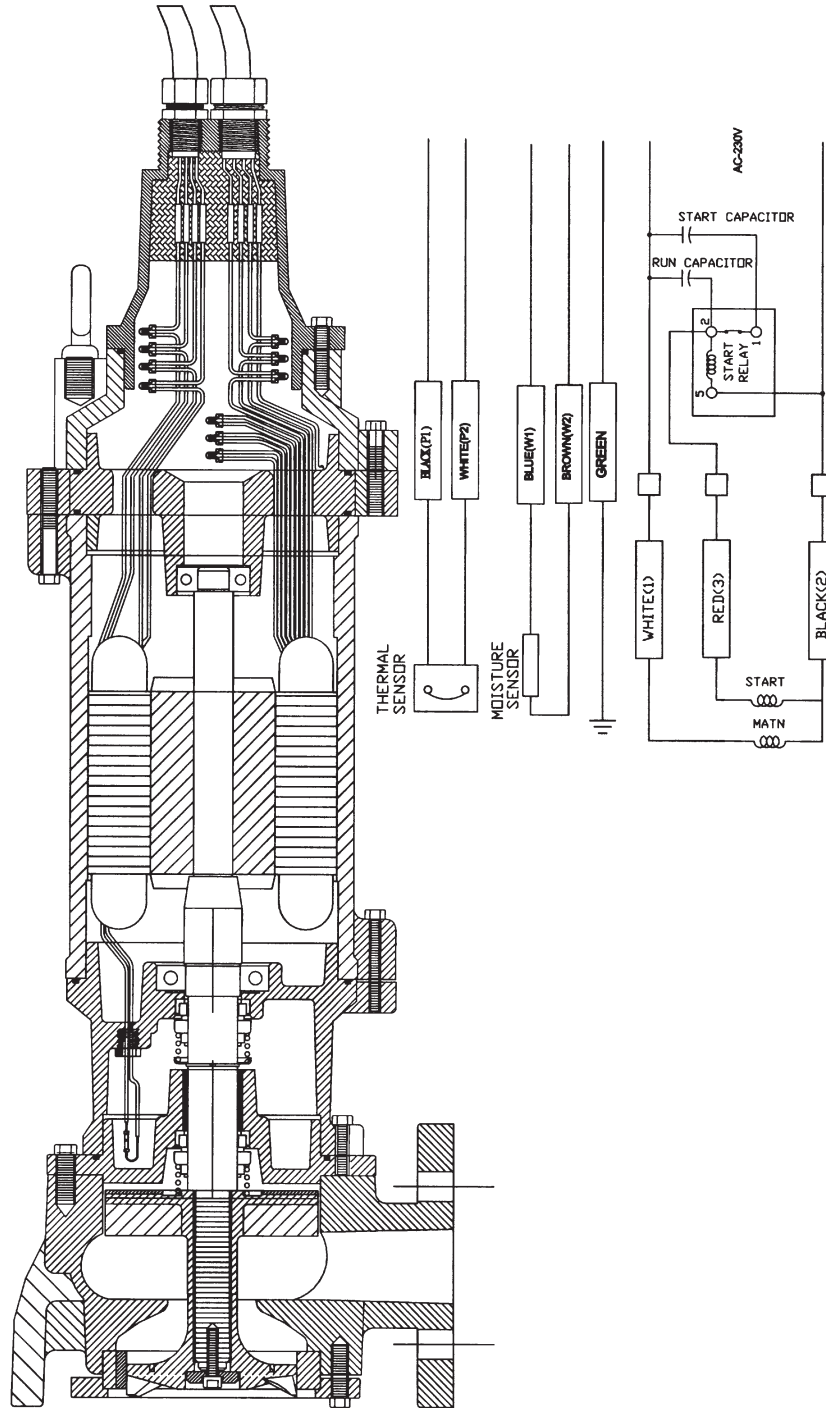
Model:

Chk'd:

Date:

EB(H)G-31, 51

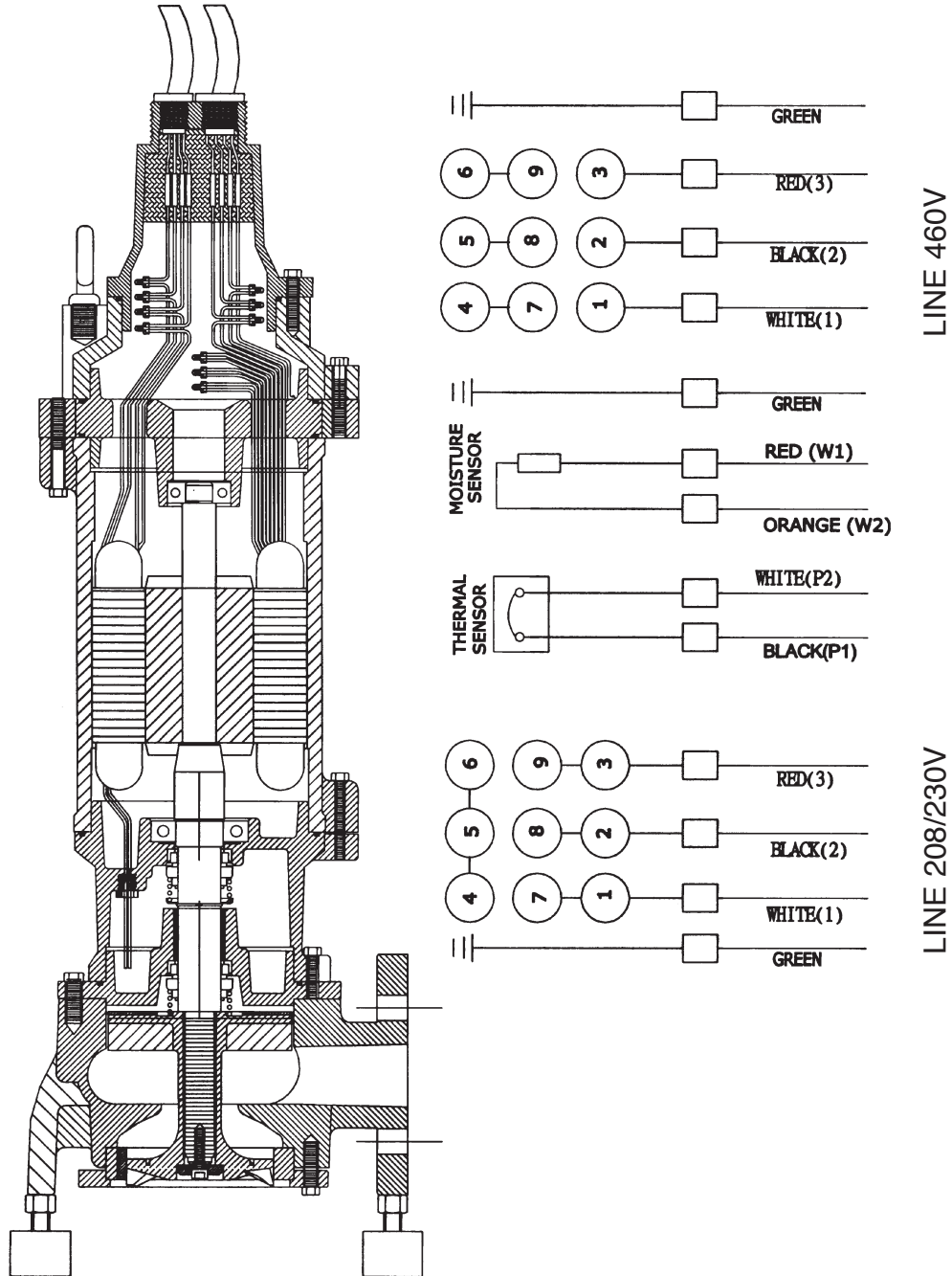
3, 5HP, 208/230, Single Phase



Motor Wiring Diagram

Project: _____ Model: _____ Chk'd: _____ Date: _____

EB(H)G-33, 53, 73, 103
3, 5, 7.5, 10HP, 208/230/460V, Three Phase



Electrical Data

Project: _____ Model: _____ Chk'd: _____ Date: _____

Model EBG
2 HP, 60Hz, Single Phase, 115V

Name- Plate Rating	Item No.					
	Output (HP)	2				
	Phase	1				
	Poles	2				
	Volts	115				
	Amperes	16.9				
	Speed	3450				
	Insulation Class	F				
Capacitor μ F	Start	200				
	Run	70				
Resistance at 20°C OHMS	Main Coil	1.2				
	Start Current A	48				
	Service Factor	1.59				



Electrical Data

Project: _____ Model: _____ Chk'd: _____ Date: _____

Model EBG, EBHG
2, 3, 5, 7.5 HP, 60Hz, Single Phase, 208/230V

Name- Plate Rating	Item No.					
	Output (HP)	2	3	5	7½	
	Phase	1	1	1	1	
	Poles	2	2	2	2	
	Volts	208 / 230	208 / 230	208 / 230	230	
	Amperes	15.5 / 12.8	37 / 34	44 / 40	47	
	Speed	3450	3450	3450	3450	
	Insulation Class	F	F	F	F	
Capacitor μ F	Start	150	274 - 324	274 - 324	274 - 324	
	Run	30	30	30	30	
Resistance at 20°C OHMS	Main Coil	1.8	.3	.3	.3	
	Aux. Coil	5.1	.8	.8	.8	
Start Current A		28 / 25	185 / 170	220 / 200	235	
Service Factor		1.59	3.96	2.37	1.4	



Electrical Data

Project: _____ Model: _____ Chk'd: _____ Date: _____

Model EBG, EBHG
2, 3, 5, 7.5 10 HP, 60Hz, Three Phase, 208/230/460V

Name- Plate Rating	Item No.					
	Output (HP)	2	3	5	7½	10
	Phase	3	3	3	3	3
	Poles	2	2	2	2	2
	Volts	208 / 230 / 460	208 / 230 / 460	208 / 230 / 460	208 / 230 / 460	208 / 230 / 460
	Amperes	10 / 9 / 4.5	21 / 18 / 9	29 / 25 / 13	37 / 32 / 16	42 / 40 / 20
	Speed	3450	3450	3450	3450	3450
	Insulation Class	F	F	F	F	F
Resistance at 20°C OHMS	Main Coil	3.1 / 12.4	.6 / 2.0	.6 / 2.0	.6 / 2.0	.6 / 2.0
Start Current A		24 / 22 / 11	105 / 90 / 45	145 / 125 / 65	185 / 160 / 80	148 / 135 / 75
Service Factor		1.92	3.5	2.1	1.25	1.25

