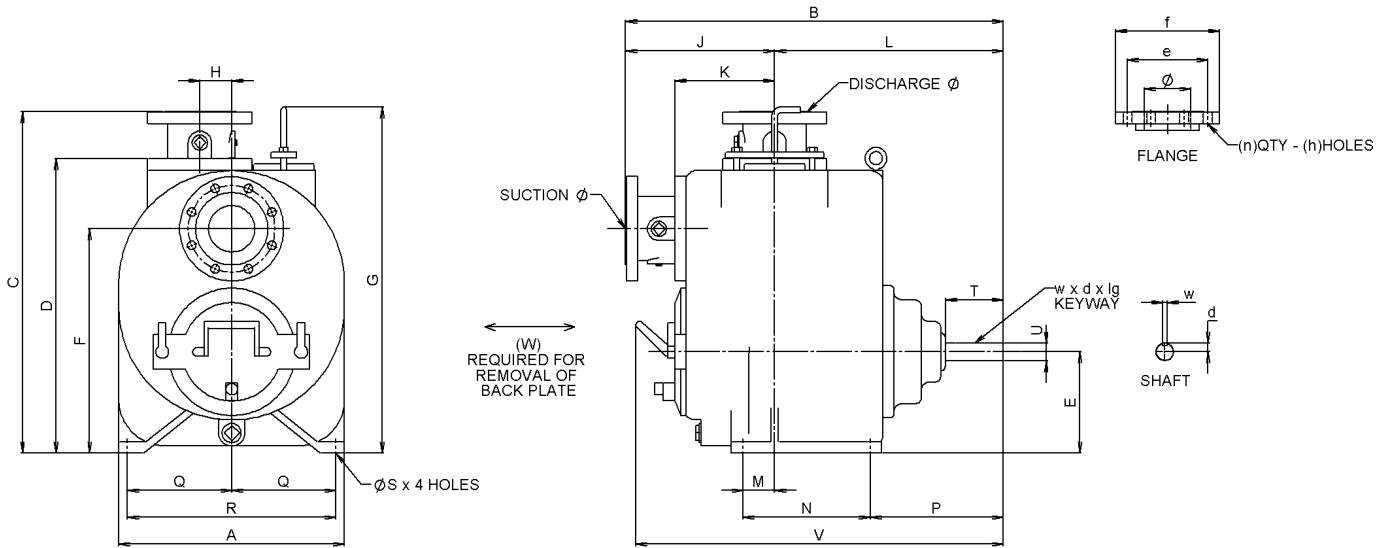


Dimensions

Project: _____ Model: _____ Chk'd: _____ Date: _____

Model EFQT 2, 3, 4, 6



Unit: inches

SIZE Ø	MODEL	PUMP																				
		A	B	C	D	E	F	G	H	J	K	L	M	N	P	Q	R	S	T	U	V	W
2	EFQT2	12 1/8	24 7/16	21	16 3/4	5 15/16	12 5/8	21 9/16	2 3/4	9 7/16	6	15	2 3/8	6 1/2	10 7/8	5 1/2	11	9/16	4 1/8	1 1/2	23 5/16	18 1/4
3	EFQT3	17	28	27 1/4	21 7/8	7 1/2	17 1/4	26 7/8	2 5/8	11 7/8	7 1/4	17 1/8	3	9	11 1/8	7 3/4	15 1/2	11/16	4 1/16	1 1/2	27 1/2	18 1/4
4	EFQT4	19 1/2	32 5/8	29 1/2	25 7/16	8 3/4	19 3/8	29 7/8	2 3/4	12 7/8	8 5/8	19 3/4	2 3/4	11	11 1/2	9	18	11/16	5	1 1/2	31 3/4	18 1/4
6	EFQT6	22 5/8	34 9/16	34 13/16	29 3/4	10 1/4	22 9/16	34 9/16	2 9/16	14 15/16	10 1/4	19 5/8	3 3/8	11	12	10 3/8	20 3/4	3/4	5	1 1/2	33 1/8	18 1/4

NOTE: For models with raised-face flanges, dimensions are taken from the raised face.

Unit: mm

SIZE Ø	MODEL	PUMP																				
		A	B	C	D	E	F	G	H	J	K	L	M	N	P	Q	R	S	T	U	V	W
2	EFQT2	308	621	533	425	151	321	548	70	240	152	381	60	165	276	140	279	14	105	38	592	464
3	EFQT3	432	699	692	556	191	438	683	67	302	184	435	76	229	283	197	394	17	103	38	699	464
4	EFQT4	495	829	749	646	222	492	759	70	327	219	502	70	279	292	229	457	17	127	38	806	464
6	EFQT6	575	878	884	756	260	573	878	65	379	260	498	86	279	305	264	527	19	127	38	841	464

NOTE: For models with raised-face flanges, dimensions are taken from the raised face.

Unit: inches

SIZE Ø	MODEL	FLANGE						RAISED FACE	
		TYPE	e	f	n	h	RAISED FACE	RAISED FACE	
2	EFQT2	2" ANSI 150#	4 3/4	6	4	3/4	YES	3 5/8	
3	EFQT3	3" ANSI 150#	6	7 1/2	4	3/4	NO	-	
4	EFQT4	4" ANSI 150#	7 1/2	9	8	3/4	YES	6 3/16	
6	EFQT6	6" ANSI 150#	9 1/2	11	8	7/8	YES	8 1/2	

KEYWAY		
w	d	lg
3/8	3/16	3
3/8	3/16	3 3/4
3/8	3/16	4 1/8
3/8	3/16	3 7/8

Unit: mm

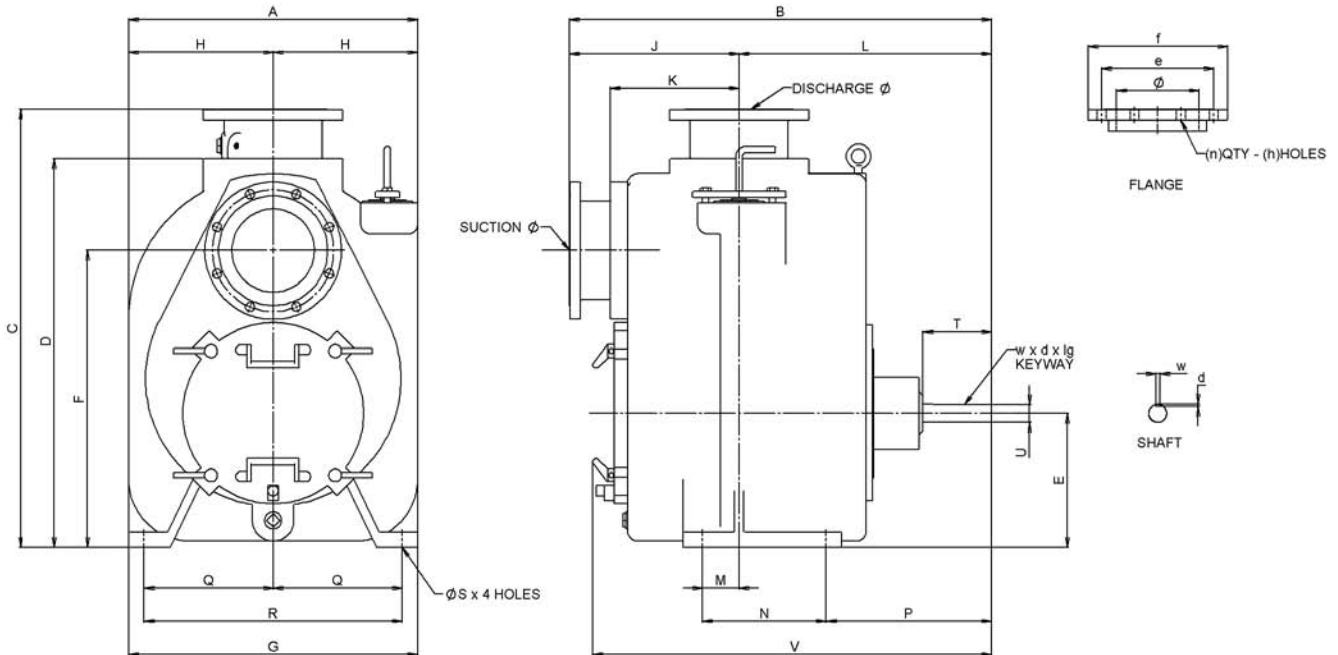
SIZE Ø	MODEL	FLANGE						RAISED FACE	
		TYPE	e	f	n	h	RAISED FACE	RAISED FACE	
50	EFQT2	2" ANSI 150#	121	152	102	19	YES	92	
80	EFQT3	3" ANSI 150#	152	191	102	19	NO	-	
100	EFQT4	4" ANSI 150#	191	229	203	19	YES	157	
150	EFQT6	6" ANSI 150#	241	279	203	22	YES	216	

KEYWAY		
w	d	lg
10	5	76
10	5	95
10	5	105
10	5	98

Dimensions

Project: _____ Model: _____ Chk'd: _____ Date: _____

Model EFQT 8



Unit: inches

SIZE Ø	MODEL	PUMP																				
		A	B	C	D	E	F	G	H	J	K	L	M	N	P	Q	R	S	T	U	V	W
8	EFQT8	28	40 7/8	42 3/8	37 9/16	13	28 11/16	28	14	16 7/16	12 1/2	24 7/16	3 9/16	12	16	12 1/2	25	7/8	6 5/8	1 3/4	38 5/8	24

NOTE: For models with raised-face flanges, dimensions are taken from the raised face.

Unit: mm

SIZE Ø	MODEL	PUMP																				
		A	B	C	D	E	F	G	H	J	K	L	M	N	P	Q	R	S	T	U	V	W
8	EFQT8	711	1038	1076	954	330	729	711	14	418	318	621	90	305	406	318	635	22	168	44	981	610

NOTE: For models with raised-face flanges, dimensions are taken from the raised face.

Unit: inches

SIZE Ø	MODEL	FLANGE						RAISED FACE	RAISED FACE
		TYPE	e	f	n	h			
8	EFQT8	8" ANSI 150#	11 3/4	13 1/2	8	7/8	YES	10 1/2	

KEYWAY		
w	d	lg
3/8	3/16	5 5/8

Unit: mm

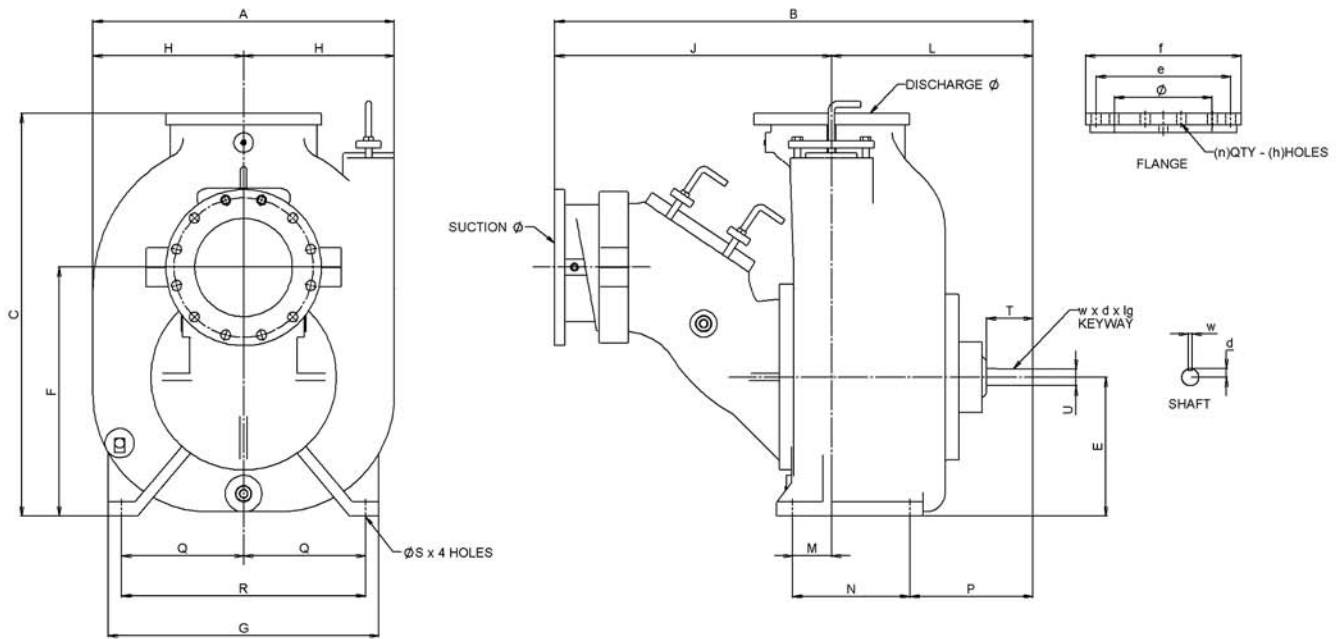
SIZE Ø	MODEL	FLANGE						RAISED FACE	RAISED FACE
		TYPE	e	f	n	h			
200	EFQT8	8" ANSI 150#	298	343	203	22	YES	267	

KEYWAY		
w	d	lg
10	5	143

Dimensions

Project: _____ Model: _____ Chk'd: _____ Date: _____

Model EFQT10



Unit: inches

SIZE Ø	MODEL	PUMP																				
		A	B	C	D	E	F	G	H	J	K	L	M	N	P	Q	R	S	T	U	V	W
10	EFQT10	30 7/8	49	41 1/4	N/A	14 1/4	25 7/16	27 3/4	N/A	28 3/8	N/A	20 5/8	4	12	12 5/8	12 1/2	25	7/8	4 3/4	1 3/4	N/A	N/A

NOTE: For models with raised-face flanges, dimensions are taken from the raised face.

Unit: mm

SIZE Ø	MODEL	PUMP																				
		A	B	C	D	E	F	G	H	J	K	L	M	N	P	Q	R	S	T	U	V	W
10	EFQT10	784	1245	1048	N/A	362	646	705	N/A	721	N/A	524	102	305	321	318	635	22	121	44	N/A	N/A

NOTE: For models with raised-face flanges, dimensions are taken from the raised face.

Unit: inches

SIZE Ø	MODEL	FLANGE							RAISED FACE	RAISED FACE
		TYPE	e	f	n	h	1			
10	EFQT10	10" ANSI 150#	14 1/4	16	12	1		NO	-	

KEYWAY		
w	d	lg
3/8	3/16	4 1/4

Unit: mm

SIZE Ø	MODEL	FLANGE							RAISED FACE	RAISED FACE
		TYPE	e	f	n	h	1			
250	EFQT10	10" ANSI 150#	362	406	305	25		NO	-	

KEYWAY		
w	d	lg
10	5	108

Dimensions

Project: _____ Model: _____ Chk'd: _____ Date: _____

Model EFQT12 – Please Consult Factory

Unit: inches

SIZE Ø	MODEL	PUMP																			
		A	B	C	D	E	F	G	H	J	K	L	M	N	P	Q	R	S	T	U	V
12	EFQT12	Consult Factory																			

NOTE: For models with raised-face flanges, dimensions are taken from the raised face.

Unit: mm

SIZE Ø	MODEL	PUMP																			
		A	B	C	D	E	F	G	H	J	K	L	M	N	P	Q	R	S	T	U	V
12	EFQT12	Consult Factory																			

NOTE: For models with raised-face flanges, dimensions are taken from the raised face.

Unit: inches

SIZE Ø	MODEL	FLANGE						RAISED FACE	RAISED FACE
		TYPE	e	f	n	h			
12	EFQT12	Consult Factory							

KEYWAY		
w	d	lg
Consult Factory		

Unit: mm

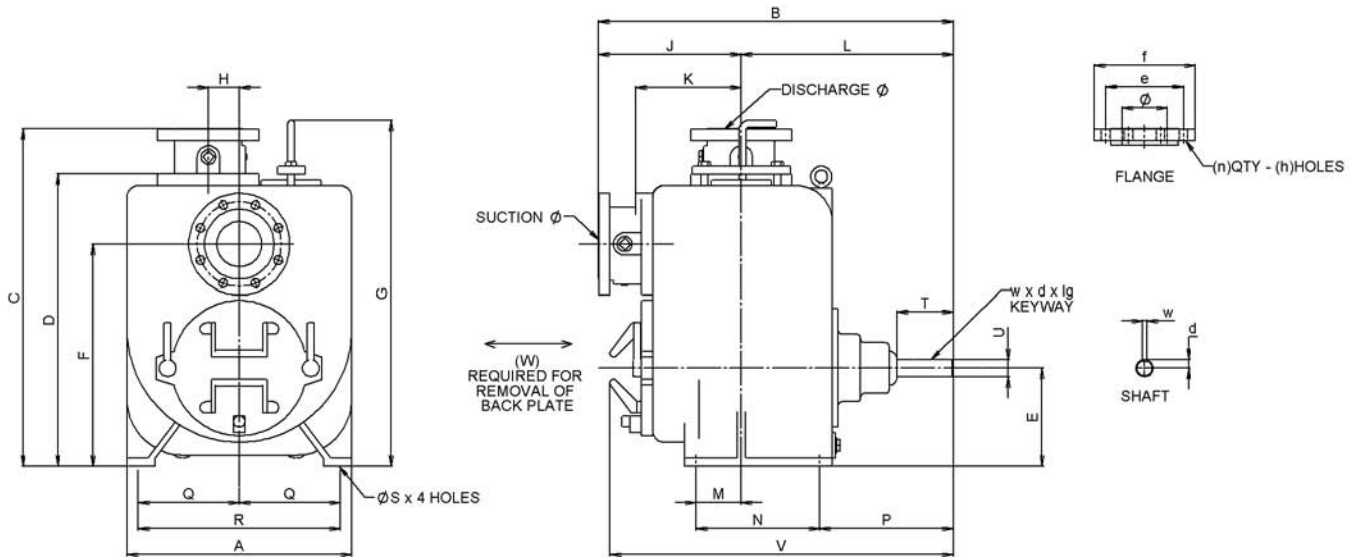
SIZE Ø	MODEL	FLANGE						RAISED FACE	RAISED FACE
		TYPE	e	f	n	h			
300	EFQT12	Consult Factory							

KEYWAY		
w	d	lg
Consult Factory		

Dimensions

Project: _____ Model: _____ Chk'd: _____ Date: _____

Model EFQU 3, 4, 6



Unit: inches

SIZE Ø	MODEL	PUMP																				
		A	B	C	D	E	F	G	H	J	K	L	M	N	P	Q	R	S	T	U	V	W
3	EFQU3	17 1/4	28 13/16	27 1/2	22 5/16	7 9/16	17	26 11/16	2 3/4	12	7 9/16	16 13/16	3 3/8	9	11 3/16	7 3/4	15 1/2	11/16	4 1/16	1 1/2	27 7/16	18
4	EFQU4	20	31 5/8	29 15/16	25 15/16	8 3/4	19 11/16	30 11/16	2 3/4	12 3/4	9 3/8	18 7/8	4	11	11 7/8	9	18	11/16	5	1 1/2	30 9/16	18
6	EFQU6	23	36 3/8	34 3/4	29 5/8	10 1/4	22 5/16	34 1/16	2 3/4	14 3/4	11	21 5/8	3 3/8	11	14	10 3/8	20 3/4	11/16	4 3/4	1 3/4	34	18

NOTE: For models with raised-face flanges, dimensions are taken from the raised face.

Unit: mm

SIZE Ø	MODEL	PUMP																				
		A	B	C	D	E	F	G	H	J	K	L	M	N	P	Q	R	S	T	U	V	W
3	EFQU3	438	732	699	567	192	432	678	70	305	192	427	86	229	284	197	394	17	103	38	697	457
4	EFQU4	508	803	760	659	222	500	779	70	324	238	479	102	279	302	229	457	17	127	38	776	457
6	EFQU6	584	924	883	752	260	567	865	70	375	279	549	86	279	356	264	527	17	121	44	864	457

NOTE: For models with raised-face flanges, dimensions are taken from the raised face.

Unit: inches

SIZE Ø	MODEL	FLANGE						RAISED FACE	
		TYPE	e	f	n	h	RAISED FACE	RAISED FACE	
3	EFQU3	3" ANSI 150#	6	7 1/2	4	3/4	NO	-	
4	EFQU4	4" ANSI 150#	7 1/2	9	8	3/4	YES	6 3/16	
6	EFQU6	6" ANSI 150#	9 1/2	11	8	7/8	YES	8 1/2	

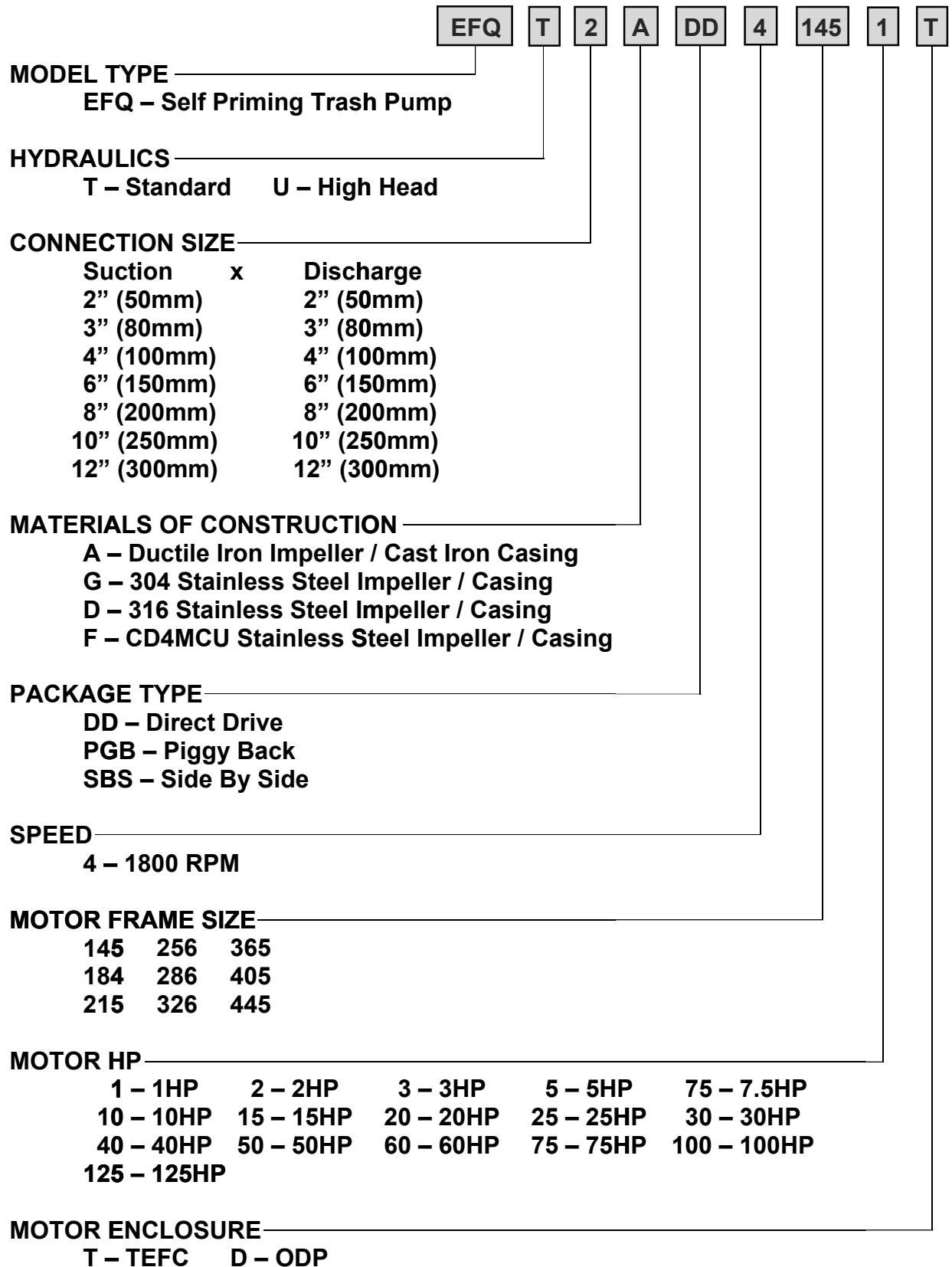
KEYWAY		
w	d	lg
3/8	3/16	3
3/8	3/16	4
3/8	3/16	3 1/2

Unit: mm

SIZE Ø	MODEL	FLANGE						RAISED FACE	
		TYPE	e	f	n	h	RAISED FACE	RAISED FACE	
3	EFQU3	3" ANSI 150#	152	191	102	19	NO	-	
4	EFQU4	4" ANSI 150#	191	229	203	19	YES	157	
6	EFQU6	6" ANSI 150#	241	279	203	22	YES	216	

KEYWAY		
w	d	lg
10	5	76
10	5	102
10	5	89

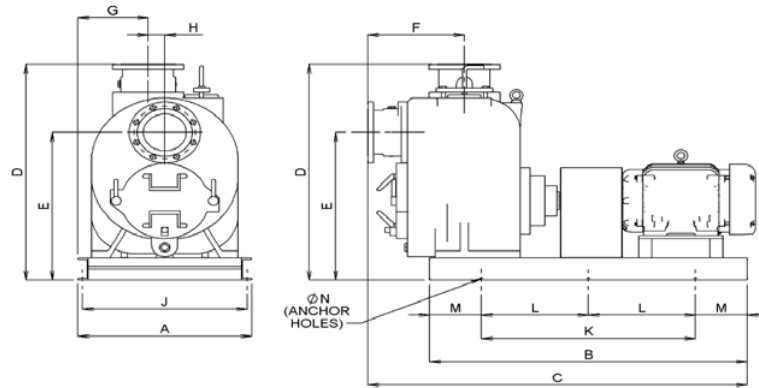
Model Designation – Skid Packages



Dimensions

Project: _____ Model: _____ Chk'd: _____ Date: _____

EFQT/EFQU Skid Package - Direct Drive Model
Model EFQT 2, 3, 4, 6



Unit: inches

PUMP MODEL	NEMA MOTOR FRAME	A	B	C	D	E	F	G	H	J	K	L	M	ØN	
EFQT2	145T	17 1/2	32	37 9/16	24	15 5/8	9 7/16	6	2 3/4	16 1/8	20	N/A	6	9/16	
	184T		34	39 9/16							22				
	215T		37	42 9/16							25				
	256T		44	49 9/16							32				16
EFQT3	145T	21 1/2	37	43 7/8	31 1/4	21 1/4	11 7/8	8 1/8	2 3/4	20 1/8	21	N/A	8	9/16	
	184T		38	44 7/8							22				
	215T		40	46 7/8							24				
	256T		45	51 7/8							29				
	286T		47	53 7/8							31				16
EFQT4	145T	23 11/16	40	48 1/8	33 1/2	23 7/8	12 7/8	9 1/16	2 3/4	22 5/16	28	N/A	8	9/16	
	184T		41	49 1/8							29				
	215T		43	51 1/8							31				
	256T		48	56 1/8							36				18
	286T		50	58 1/8							38				19
EFQT6	145T	26 13/16	40	49 9/16	38 13/16	26 9/16	14 15/16	10 13/16	2 3/4	25 7/16	24	N/A	8	9/16	
	184T		41	50 9/16							25				
	215T		44	53 9/16							28				
	256T		49	58 9/16							33				16 1/2
	286T		51	60 9/16							35				17 1/2
	326T		52	61 9/16							36				18

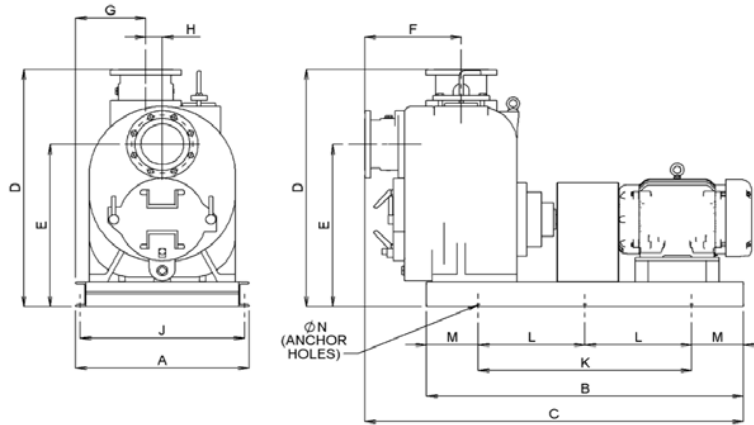
Unit: mm

PUMP MODEL	NEMA MOTOR FRAME	A	B	C	D	E	F	G	H	J	K	L	M	ØN	
EFQT2	145T	445	813	954	610	397	240	152	70	410	508	N/A	152	14	
	184T		864	1005							559				
	215T		940	1081							635				
	256T		1118	1259							813				406
EFQT3	145T	546	940	1114	794	540	302	206	70	511	533	N/A	8	14	
	184T		965	1140							559				
	215T		1016	1191							610				
	256T		1143	1318							737				
	286T		1194	1368							787				394
EFQT4	145T	602	1016	1222	851	606	327	230	70	567	711	N/A	8	14	
	184T		1041	1248							737				
	215T		1092	1299							787				
	256T		1219	1426							914				457
	286T		1270	1476							965				483
EFQT6	145T	681	1016	1259	986	675	379	275	70	646	610	N/A	8	14	
	184T		1041	1284							635				
	215T		1118	1360							711				
	256T		1245	1487							838				419
	286T		1295	1538							889				445
	326T		1321	1564							914				457

Dimensions

Project: _____ Model: _____ Chk'd: _____ Date: _____

EFQT/EFQU Skid Package - Direct Drive Model
Model EFQT 8, 10, 12



Unit: inches

PUMP MODEL	NEMA MOTOR FRAME	A	B	C	D	E	F	G	H	J	K	L	M	ØN
EFQT8	215T	33 1/16	51	60 7/8	48 3/8	34 11/16	16 7/16	16 9/16	N/A	31 11/16	35	17 1/2	8	9/16
	256T		54	63 7/8							38	19		
	286T		57	66 7/8							41	20 1/2		
	326T		60	69 7/8							44	22		
	365T		62	71 7/8							46	23		
	405T		65	74 7/8							49	24 1/2		
EFQT10	215T	33 1/4	48	68 3/8	49 1/4	33 1/2	28 3/8	16 5/8	N/A	31 1/4	32	16	13/16	
	256T		53	73 3/8							37	18 1/2		
	286T		56	76 3/8							40	20		
	326T		58	78 3/8							42	21		
	365T		61	81 3/8							45	22 1/2		
	405T		63	83 3/8							47	23 1/2		
EFQT12	256T	Consult Factory												
	286T	Consult Factory												
	326T	Consult Factory												
	365T	Consult Factory												
	445T	Consult Factory												

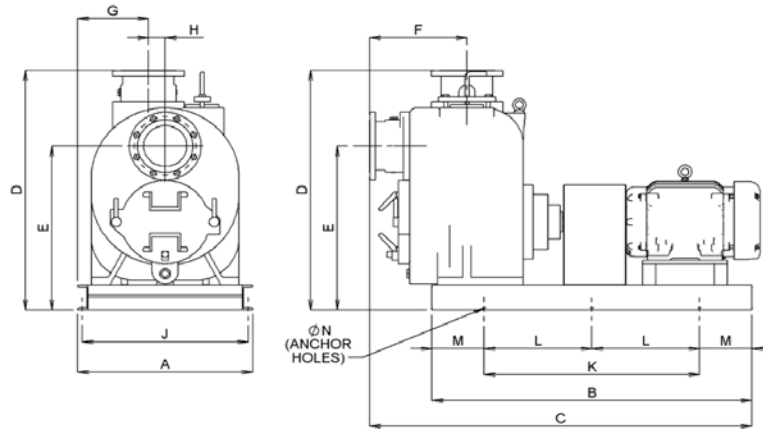
Unit: mm

PUMP MODEL	NEMA MOTOR FRAME	A	B	C	D	E	F	G	H	J	K	L	M	ØN
EFQT8	215T	840	1295	1546	1229	881	418	421	N/A	805	889	445	203	14
	256T		1372	1622							965	483		
	286T		1448	1699							1041	521		
	326T		1524	1775							1118	559		
	365T		1575	1826							1168	584		
	405T		1651	1902							1245	622		
EFQT10	215T	845	1219	1737	1251	851	721	422	N/A	794	813	406	21	
	256T		1346	1864							940	470		
	286T		1422	1940							1016	508		
	326T		1473	1991							1067	533		
	365T		1549	2067							1143	572		
	405T		1600	2118							1194	597		
EFQT12	256T	Consult Factory												
	286T	Consult Factory												
	326T	Consult Factory												
	365T	Consult Factory												
	445T	Consult Factory												

Dimensions

Project: _____ Model: _____ Chk'd: _____ Date: _____

**EFQT/EFQU Skid Package - Direct Drive Model
Model EFQU 3, 4, 6**



Unit: inches

PUMP MODEL	NEMA MOTOR FRAME	A	B	C	D	E	F	G	H	J	K	L	M	ØN	
EFQU3	145T	21 1/2	37	43 5/8	31 1/2	21	12	8		20 1/8	21	N/A			
	184T		38	44 5/8							22				
	215T		40	46 5/8							24				
	256T		45	51 5/8							29				
	286T		47	53 5/8							31				15 1/2
EFQU4	184T	24 3/16	41	47 3/4	33 15/16	23 11/16	12 3/4	9 5/16	2 3/4	22 13/16	29	N/A	8	9/16	
	215T		44	50 3/4							32				
	256T		48	54 3/4							36				18
	286T		50	56 3/4							38				19
	326T		52	58 3/4							40				20
EFQU6	184T	27 3/16	43	52 3/8	38 3/4	26 5/16	14 3/4	10 13/16		25 13/16	27	N/A			
	215T		46	55 3/8							30				
	256T		51	60 3/8							35				17 1/2
	286T		54	63 3/8							38				19
	326T		54	63 3/8							38				19
365T	56	65 3/8	40	20											

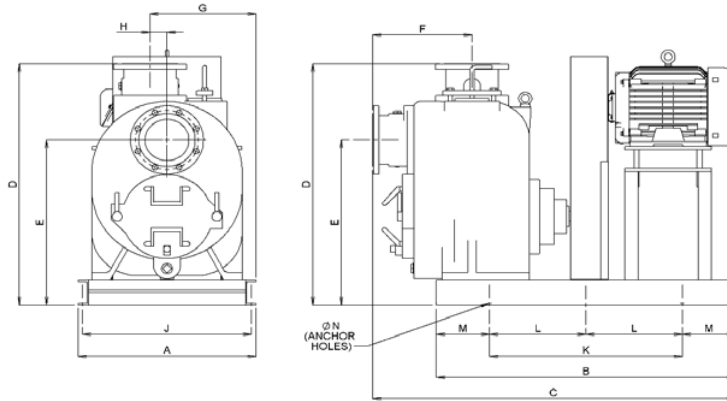
Unit: mm

PUMP MODEL	NEMA MOTOR FRAME	A	B	C	D	E	F	G	H	J	K	L	M	ØN	
EFQU3	145T	546	940	1108	800	533	305	203		511	533	N/A			
	184T		965	1133							559				
	215T		1016	1184							610				
	256T		1143	1311							737				
	286T		1194	1362							787				394
EFQU4	184T	614	1041	1213	862	602	324	237	70	579	737	N/A	203	14	
	215T		1118	1289							813				
	256T		1219	1391							914				457
	286T		1270	1441							965				483
	326T		1321	1492							1016				508
EFQU6	184T	691	1092	1330	984	668	375	275		656	686	N/A			
	215T		1168	1407							762				
	256T		1295	1534							889				445
	286T		1372	1610							965				483
	326T		1372	1610							965				483
365T	1422	1661	1016	508											

Dimensions

Project: _____ Model: _____ Chk'd: _____ Date: _____

EFQT/EFQU Skid Package - Piggy Back Model
Model EFQT 2, 3, 4, 6



Unit: inches

PUMP MODEL	NEMA MOTOR FRAME	A	B	C	D	E	F	G	H	J	K	L	M	ØN
EFQT2	145T	19	30	35 9/16	24	15 5/8	9 7/16	12 1/4	2 3/4	17 5/8	18	N/A	6	9/16
	184T		31	36 9/16							19			
	215T		33	38 9/16							17			
	256T	38	43 9/16	22										
EFQT3	145T	22 1/4	32 1/2	39 7/8	30 1/4	20 1/4	11 7/8	13 3/4		20 7/8	17			
	184T		34	41 3/8							18 1/2			
	215T		36	43 3/8							20 1/2			
	256T		41	48 3/8							25 1/2			
	286T		43 1/2	50 7/8					28					
EFQT4	145T	23 5/8	37	45 1/8	33 1/2	23 7/8	12 7/8	14 9/16	22 1/4	21				
	184T		38	46 1/8						22				
	215T		39	47 1/8						23				
	256T		44	52 1/8						28				
	286T		46	54 1/8						30				
EFQT6	145T	26 13/16	38 1/2	48 1/16	38 13/16	26 9/16	14 7/8	15 15/16	25 7/16	22 1/2				
	184T		38	47 9/16						22				
	215T		40 1/2	50 1/16						24 1/2				
	256T		45	54 9/16			29							
	286T		46	55 9/16			30							
	326T		48	57 9/16			32							

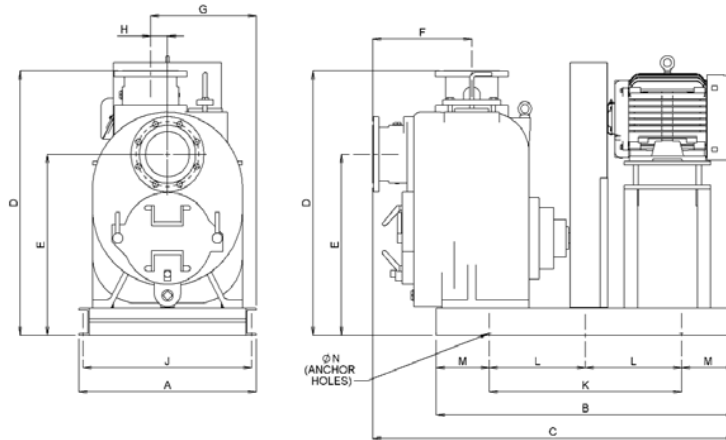
Unit: mm

PUMP MODEL	NEMA MOTOR FRAME	A	B	C	D	E	F	G	H	J	K	L	M	ØN
EFQT2	145T	483	762	903	610	397	240	311	70	448	457	N/A	152	14
	184T		787	929							483			
	215T		838	979							432			
	256T	965	1106	559										
EFQT3	145T	565	826	1013	768	514	302	349		530	432			
	184T		864	1051							470			
	215T		914	1102							521			
	256T		1041	1229							648			
	286T		1105	1292					711					
EFQT4	145T	600	940	1146	851	606	327	370	565	533				
	184T		965	1172						559				
	215T		991	1197						584				
	256T		1118	1324						711				
	286T		1168	1375						762				
EFQT6	145T	681	978	1221	986	675	378	405	646	572				
	184T		965	1208			559							
	215T		1029	1272			622							
	256T		1143	1386			737							
	286T		1168	1411			762							
	326T		1219	1462			813							

Dimensions

Project: _____ Model: _____ Chk'd: _____ Date: _____

**EFQT/EFQU Skid Package - Piggy Back Model
Model EFQT 8, 10, 12**



Unit: inches

PUMP MODEL	NEMA MOTOR FRAME	A	B	C	D	E	F	G	H	J	K	L	M	ØN										
EFQT8	215T	34	46 1/2	56 3/8	50 3/8	36 11/16	16 7/16	17	N/A	32	30 1/2	N/A	8	13/16										
	256T		53	62 7/8				16 3/4			37	18 1/2												
	286T		53	62 7/8				17			39	19 1/2												
	326T	33 1/2	55	64 7/8				16 3/4			40	20												
	365T	34 1/2	56	65 7/8				14 1/4			32 1/2	43			21 1/2									
405T	59	68 7/8	49 1/4	33 1/2	28 3/8	16 5/8	31 1/4	31	N/A	31	N/A													
215T	47	67 3/8						34	17															
256T	50	70 3/8						36	18															
286T	52	72 3/8						38	19															
326T	54	74 3/8						40	20															
365T	56	76 3/8	44	22																				
405T	60	80 3/8	Consult Factory																					
256T	Consult Factory																							
286T																								
326T																								
365T																								
405T																								
445T																								

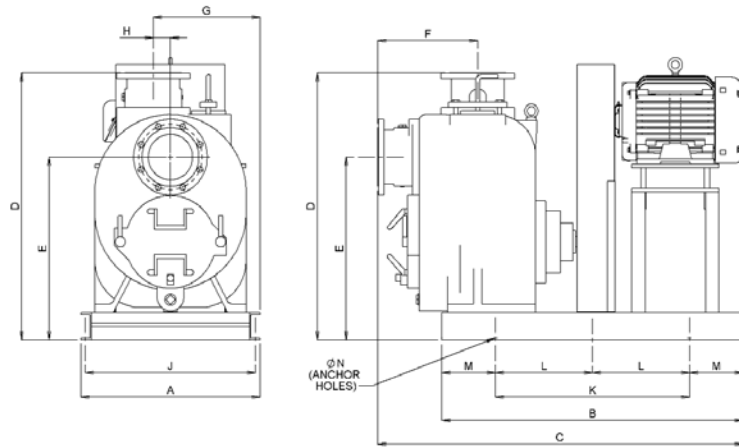
Unit: mm

PUMP MODEL	NEMA MOTOR FRAME	A	B	C	D	E	F	G	H	J	K	L	M	ØN										
EFQT8	215T	864	1181	1432	1280	932	418	432	N/A	813	775	N/A	203	21										
	256T		1346	1597				425			940	470												
	286T		1346	1597				432			991	495												
	326T	851	1397	1648				425			1016	508												
	365T	876	1422	1673				362			826	1092			546									
405T	1499	1749	1251	851	721	422	794	787	N/A	864	432													
215T	1194	1711						914	457															
256T	1270	1788						965	483															
286T	1321	1838						1016	508															
326T	1372	1889						1118	559															
365T	1422	1940	Consult Factory																					
405T	1524	2042																						
256T	Consult Factory																							
286T																								
326T																								
365T																								
405T																								
445T																								

Dimensions

Project: _____ Model: _____ Chk'd: _____ Date: _____

**EFQT/EFQU Skid Package - Piggy Back Model
Model EFQU 3, 4, 6**



Unit: inches

PUMP MODEL	NEMA MOTOR FRAME	A	B	C	D	E	F	G	H	J	K	L	M	ØN	
EFQU3	145T	23	33	40 1/8	30 1/2	20	12	14 1/4		21 5/8	17 1/2	N/A			
	184T		34	41 1/8							18 1/2				
	215T		36	43 1/8							20 1/2				
	256T		40	47 1/8							24 1/2				
	286T		43	50 1/8							27 1/2				
EFQU4	184T	24 1/8	38	44 3/4	33 15/16	23 11/16	12 3/4	14 13/16	2 3/4	22 3/4	22	8	9/16		
	215T		40	46 3/4							24				
	256T		45	51 3/4							29				
	286T		46	52 3/4							30				
	326T		48	54 3/4							32			16	
EFQU6	184T	27 3/16	40	49 3/8	38 3/4	26 5/16	14 3/4	16 5/16		25 13/16	24	N/A			
	215T		42	51 3/8							26				
	256T		47	56 3/8							27 1/6			31	15 1/2
	286T		48	57 3/8							32			16	
	326T		50	59 3/8							25 13/16			38	17
365T	53	62 3/8	37	18 1/2											

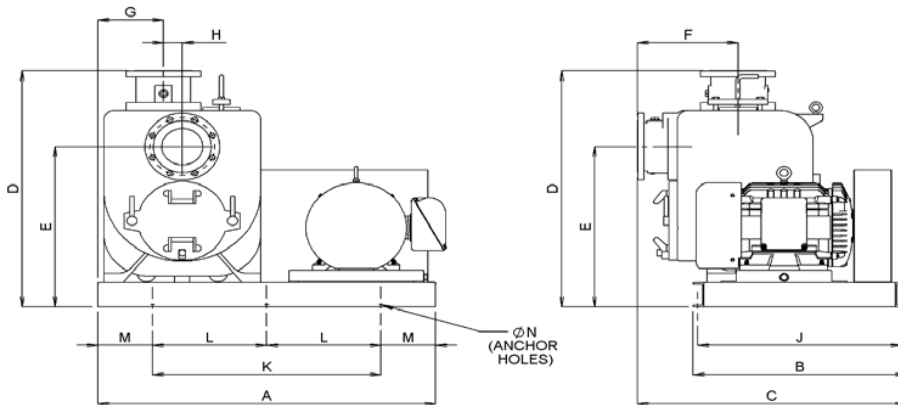
Unit: mm

PUMP MODEL	NEMA MOTOR FRAME	A	B	C	D	E	F	G	H	J	K	L	M	ØN
EFQU3	145T	584	838	1019	775	508	305	362		549	445	N/A		
	184T		864	1045							470			
	215T		914	1095							521			
	256T		1016	1197							622			
	286T		1092	1273							699			
EFQU4	184T	613	965	1137	862	602	324	376	70	578	559	203	14	
	215T		1016	1187							610			
	256T		1143	1314							737			
	286T		1168	1340							762			
	326T		1219	1391							813			406
EFQU6	184T	691	1016	1254	984	668	375	414		656	610	N/A		
	215T		1067	1305						660				
	256T		1194	1432						690	787			394
	286T		1219	1457						813	406			
	326T		1270	1508						656	965			432
365T	1346	1584	940	470										

Dimensions

Project: _____ Model: _____ Chk'd: _____ Date: _____

EFQT/EFQU Skid Package - Side By Side Model
Model EFQT 2, 3, 4, 6



Unit: inches

PUMP MODEL	NEMA MOTOR FRAME	A	B	C	D	E	F	G	H	J	K	L	M	ØN			
EFQT2	145T	32	24 1/4	28	24	15 5/8	9 7/16	4 1/4	2 3/4	23	20	N/A	6	9/16			
	184T																
	215T																
	256T														25 3/4	22	
EFQT3	145T	41 1/2	27	32 11/16	31 1/4	21 1/4	11 7/8	7 1/8		25 5/8	25 1/2		N/A		8	9/16	
	184T																
	215T	44	27 3/8	32 5/8						26	28						
	256T		29 1/4	27 7/8						30							
EFQT4	145T	43	28 1/4	35 5/16	33 1/2	23 7/8	12 7/8	8 1/4		26 7/8	27		N/A		8		9/16
	184T			33 5/16													
	215T			28 3/8						35 7/16	27						
	256T			44						28 1/4	35 5/16						
EFQT6	145T	47 1/4	29	37 3/8	38 13/16	26 9/16	14 15/16	9 13/16	27 5/8	31 1/4	N/A	18	9/16				
	184T													31 1/2			
	215T	47 1/2	37 5/16	31 1/2													
	256T	49	28 15/16	37 5/16					27 9/16	33				16 1/2			
	286T	49 1/2	29 1/8	38 7/16					27 3/4	33 1/2				16 3/4			
	326T	52	32 1/2	38 7/16					31 1/8	36				18			

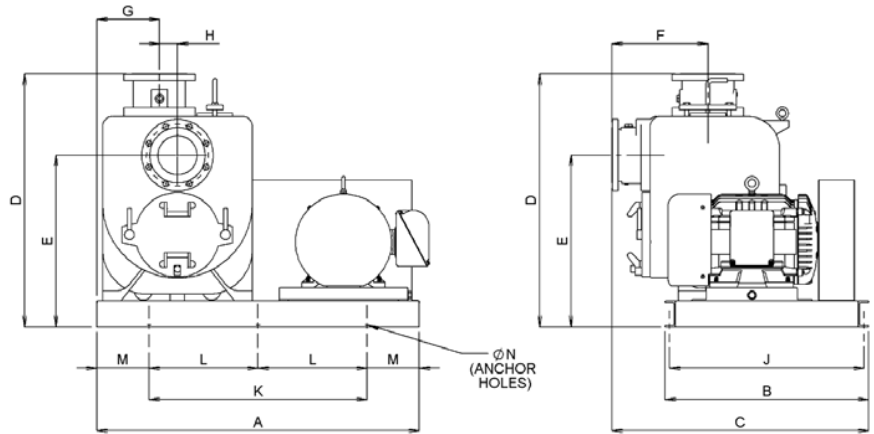
Unit: mm

PUMP MODEL	NEMA MOTOR FRAME	A	B	C	D	E	F	G	H	J	K	L	M	ØN				
EFQT2	145T	813	616	711	610	397	240	108	70	584	508	N/A	152	14				
	184T																	
	215T																	
	256T														864	654	559	
EFQT3	145T	1054	686	830	794	540	302	181		651	648		N/A		203	14		
	184T																	
	215T	1118	695	829						660	711							
	256T		1168	743						708	762							
EFQT4	145T	1092	718	897	851	606	327	210		683	686		N/A		203		14	
	184T			846														
	215T			721						900	686							711
	256T			1118						718	897							683
EFQT6	145T	1194	737	949	986	675	379	249	702	787	N/A	457	14					
	184T													1200	794			
	215T	1207	800															
	256T	1245	735	948					700	838				419				
	286T	1257	740	976					705	851				425				
	326T	1321	826	976					791	914				457				

Dimensions

Project: _____ Model: _____ Chk'd: _____ Date: _____

**EFQT/EFQU Skid Package - Side By Side Model
Model EFQT 8, 10, 12**



Unit: inches

PUMP MODEL	NEMA MOTOR FRAME	A	B	C	D	E	F	G	H	J	K	L	M	ØN
EFQT8	215T	53 1/4	36	44 7/16	48 3/8	34 11/16	16 7/16	15 1/2	N/A	34 5/8	37 1/4	18 5/8	8	9/16
	256T	57									41	20 1/2		
	286T	59									43	21 1/2		
	326T	60									44	22		
	365T	63									47	23 1/2		
EFQT10	215T	64	34 3/4	54 3/4	49 1/4	33 1/2	28 3/8	16 1/2		32 3/4	48	24		
	256T	66									50	25		
	286T	68									52	26		
	326T	70									54	27		
	365T	70									54	27		
EFQT12	256T	Consult Factory												
	286T	Consult Factory												
	326T	Consult Factory												
	365T	Consult Factory												
	405T	Consult Factory												
445T	Consult Factory													

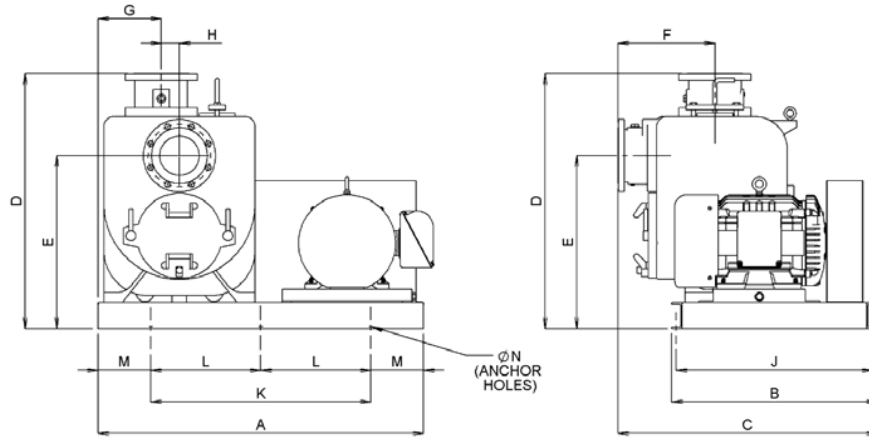
Unit: mm

PUMP MODEL	NEMA MOTOR FRAME	A	B	C	D	E	F	G	H	J	K	L	M	ØN
EFQT8	215T	1353	914	1129	1229	881	418	394	N/A	879	946	473	203	14
	256T	1448									1041	521		
	286T	1499									1092	546		
	326T	1524									1118	559		
	365T	1600									1194	597		
EFQT10	215T	1626	883	1391	1251	851	721	419		832	1219	610		
	256T	1676									1270	635		
	286T	1727									1321	660		
	326T	1778									1372	686		
	365T	1778									1372	686		
EFQT12	256T	Consult Factory												
	286T	Consult Factory												
	326T	Consult Factory												
	365T	Consult Factory												
	405T	Consult Factory												
445T	Consult Factory													

Dimensions

Project: _____ Model: _____ Chk'd: _____ Date: _____

**EFQT/EFQU Skid Package - Side By Side Model
Model EFQU 3, 4, 6**



Unit: inches

PUMP MODEL	NEMA MOTOR FRAME	A	B	C	D	E	F	G	H	J	K	L	M	ØN							
EFQU3	145T	41 1/2	27	32 1/2	31 1/2	21	12	7	2 3/4	25 5/8	28	N/A	8	9/16							
	184T									26											
	215T	44	27 3/8	27 7/8	27																
	256T		29 1/4																		
286T	46	29 1/4	34 5/16	33 15/16	23 11/16	12 3/4	8 1/4	27 3/8	29												
EFQU4	184T	43	28 3/4	34 3/8	33 15/16	23 11/16	12 3/4	8 1/4	2 3/4	27 7/8	30	15 1/2	8	9/16							
	215T	45	34 1/4	31 1/4						29 7/8	31 1/4										
	256T														31 1/4	31 1/2	N/A				
	286T	46	29 1/4	34 5/16						38 3/4	26 5/16				14 3/4	9 5/8	33 1/2	16 1/2			
EFQU6	326T	47	31 1/4	34 1/4	38 3/4	26 5/16	14 3/4	9 5/8	2 3/4	29 7/8	31	16 3/4	18	18 1/2							
	184T	47 1/4									31 1/4				31 1/4	N/A					
	215T	47 1/2	49	39 7/16							38 3/4				26 5/16	14 3/4	9 5/8	2 3/4	29 7/8	33	16 1/2
	256T	49																		33 1/2	16 3/4
	286T	49 1/2	32 1/2	40 1/2							31 1/8				36						
326T	52	32 1/2	40 1/2	31 1/8	36																
365T	53	33 3/4	40 9/16	32 3/8	37																

Unit: mm

PUMP MODEL	NEMA MOTOR FRAME	A	B	C	D	E	F	G	H	J	K	L	M	ØN							
EFQU3	145T	1054	686	826	800	533	305	178	70	651	711	N/A	203	14							
	184T									660											
	215T	1118	695	708	695	686															
	256T	1168	743				737														
286T	1168	743	872	862	602	324	210	708	762	787	394										
EFQU4	184T	1092	730	873	862	602	324	210	70	759	686	N/A	203	14							
	215T														1143	870	794	1002	984	668	375
	256T	1194	870	794							1002										
	286T	1194	870	794							1002				984	668	375	244	794	851	425
EFQU6	184T	1200	794	1002	984	668	375	244	70	759	787	470	203	14							
	215T	1207													794	1002	984	668	375	244	759
	256T	1245	826	1029							984										
	286T	1257													826	1029	984	668	375	244	759
	326T	1321	826	1029							984										
365T	1346	857	1030	984	668	375	244	759	882	914	457										