

Sectional View

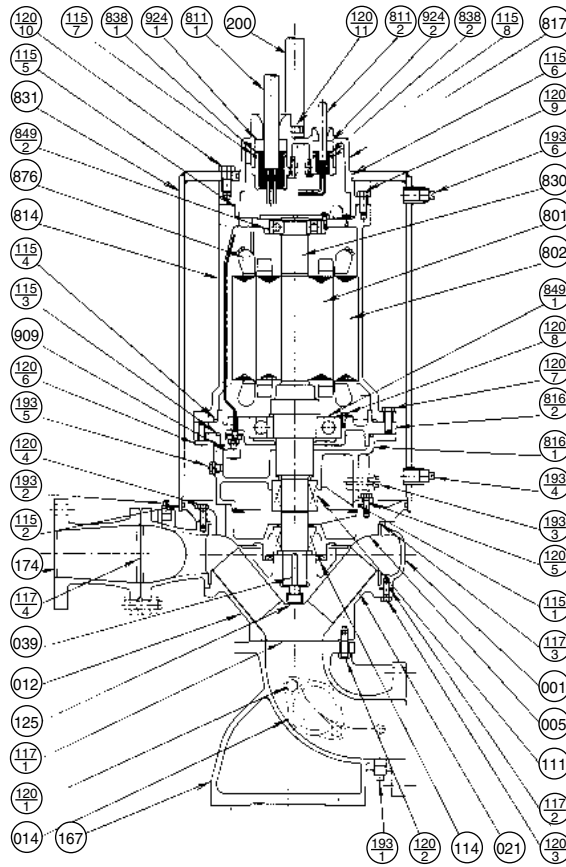
Project:

Model:

Chk'd:

Date:

15 to 30HP



PART NO.	PART NAME	MATERIAL	ASTM, AISI CODE	NO. FOR 1 UNIT
001	CASING	CAST IRON	A48 Class 30	1
005	INTERMEDIATE CASING	CAST IRON	A48 Class 30	1
†012	SUCTION COVER	CAST IRON	A48 Class 30	1
014	HAND HOLE COVER	CAST IRON	A48 Class 30	1
†021	IMPELLER	CAST IRON	A48 Class 30	1
039	KEY	420 STAINLESS	AISI420	1
†111	MECHANICAL SEAL	—	—	1 SET
†114	OIL SEAL	RUBBER (NBR)	—	1
†115-1	O-RING	RUBBER (NBR)	—	1
†115-2	O-RING	RUBBER (NBR)	—	1
†115-3	O-RING	RUBBER (NBR)	—	1
†115-4	O-RING	RUBBER (NBR)	—	1
†115-5	O-RING	RUBBER (NBR)	—	1
†115-6	O-RING	RUBBER (NBR)	—	1
†115-7	O-RING	RUBBER (NBR)	—	1
†115-8	O-RING	RUBBER (NBR)	—	1
†117-1	GASKET	—	—	1
†117-2	GASKET	—	—	1
†117-3	GASKET	—	—	1
†117-4	GASKET	—	—	1
120-1	BOLT	304 STAINLESS	AISI304	2
120-2	BOLT	304 STAINLESS	AISI304	8
120-3	BOLT	304 STAINLESS	AISI304	8
120-4	BOLT	304 STAINLESS	AISI304	8
120-5	BOLT	304 STAINLESS	AISI304	4
120-6	BOLT	304 STAINLESS	AISI304	6
120-7	BOLT	304 STAINLESS	AISI304	6
120-8	BOLT	304 STAINLESS	AISI304	3
120-9	BOLT	304 STAINLESS	AISI304	6
120-10	BOLT	304 STAINLESS	AISI304	6

PART NO.	PART NAME	MATERIAL	ASTM, AISI CODE	NO. FOR 1 UNIT
120-11	BOLT	304 STAINLESS	AISI304	2
125	BOLT	304 STAINLESS	AISI304	1
167	SUCTION ELBOW	CAST IRON	A48 Class 30	1
174	DISCHARGE PIPE	CAST IRON	A48 Class 30	1
193-1	PLUG	STEEL	—	1
193-2	PLUG	304 STAINLESS	AISI304	1
193-3	PLUG	304 STAINLESS	AISI304	1
193-4	PLUG	304 STAINLESS	AISI304	1
193-5	PLUG	304 STAINLESS	AISI304	1
193-6	PLUG	304 STAINLESS	AISI304	1
200	LIFTING HANGER	STEEL	A283 Grade D	1
801	ROTOR	—	—	1
802	STATOR	—	—	1
811-1	POWER CABLE	—	—	1
811-2	CONTROL CABLE	—	—	1
814	MOTOR COVER	CAST IRON	A48 Class 30	1
816-1	BRACKET	CAST IRON	A48 Class 30	1
816-2	BRACKET	CAST IRON	A48 Class 30	1
817	BRACKET	CAST IRON	A48 Class 30	1
830	SHAFT	420J2 STAINLESS	AISI420	1
831	WATER JACKET	STEEL	A283 Grade D	1
838-1	WASHER	304 STAINLESS	AISI304	1
838-2	WASHER	304 STAINLESS	AISI304	1
†849-1	BALL BEARING	—	—	1
†849-2	BALL BEARING	—	—	1
876	MOTOR PROTECTOR	—	—	3
909	LEAKAGE DETECTOR	—	—	1
924-1	PACKING	RUBBER (NBR)	—	1
924-2	PACKING	RUBBER (NBR)	—	1

Motors are purchased as a complete unit
†: Recommended spare parts



Sectional View

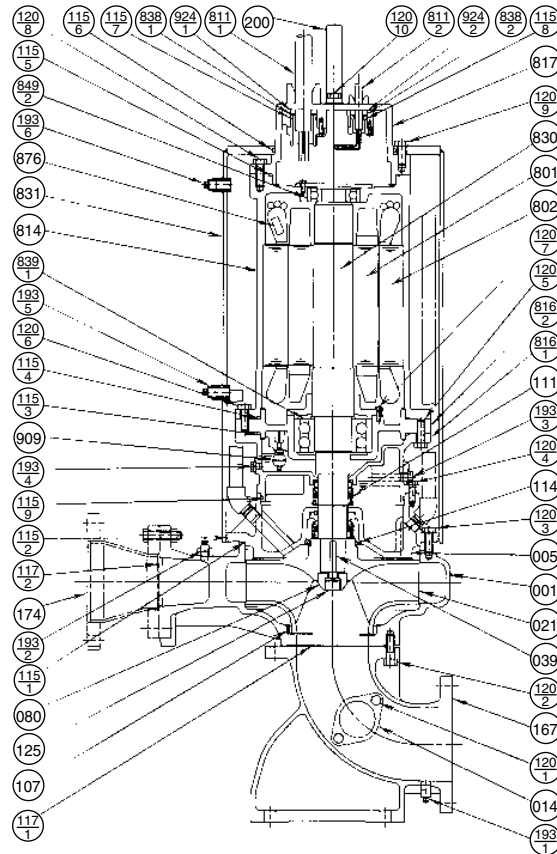
Project:

Model:

Chk'd:

Date:

40 to 60HP
150 x 100DDLUFU



PART NO.	PART NAME	MATERIAL	ASTM, AISI CODE	NO. FOR 1 UNIT
001	CASING	CAST IRON	A48 Class 30	1
005	INTERMEDIATE CASING	CAST IRON	A48 Class 30	1
014	HAND HOLE COVER	CAST IRON	A48 Class 30	1
†021	IMPELLER	CAST IRON	A48 Class 30	1
039	KEY	420 STAINLESS	AISI420	1
†080	BUSHING	304 STAINLESS	AISI304	1
†107	WEARING RING	CAST IRON	A48 Class 30	1
†111	MECHANICAL SEAL	—	—	1 SET
†114	OIL SEAL	RUBBER (NBR)	—	1
†115-1	O-RING	RUBBER (NBR)	—	1
†115-2	O-RING	RUBBER (NBR)	—	1
†115-3	O-RING	RUBBER (NBR)	—	1
†115-4	O-RING	RUBBER (NBR)	—	1
†115-5	O-RING	RUBBER (NBR)	—	1
†115-6	O-RING	RUBBER (NBR)	—	1
†115-7	O-RING	RUBBER (NBR)	—	2
†115-8	O-RING	RUBBER (NBR)	—	1
†115-9	O-RING	RUBBER (NBR)	—	1
†117-1	GASKET	—	—	1
†117-2	GASKET	—	—	1
120-1	BOLT	304 STAINLESS	AISI304	2
120-2	BOLT	304 STAINLESS	AISI304	8
120-3	BOLT	304 STAINLESS	AISI304	8
120-4	BOLT	304 STAINLESS	AISI304	4
120-5	BOLT	304 STAINLESS	AISI304	6
120-6	BOLT	304 STAINLESS	AISI304	6
120-7	BOLT	304 STAINLESS	AISI304	3
120-8	BOLT	304 STAINLESS	AISI304	8
120-9	BOLT	304 STAINLESS	AISI304	8

PART NO.	PART NAME	MATERIAL	ASTM, AISI CODE	NO. FOR 1 UNIT
120-10	BOLT	304 STAINLESS	AISI304	2
125	BOLT	304 STAINLESS	AISI304	1
167	SUCTION ELBOW	CAST IRON	A48 Class 30	1
174	DISCHARGE PIPE	STEEL	A283 Grade D	1
193-1	PLUG	STEEL	—	1
193-2	PLUG	304 STAINLESS	AISI304	1
193-3	PLUG	304 STAINLESS	AISI304	1
193-4	PLUG	304 STAINLESS	AISI304	1
193-5	PLUG	304 STAINLESS	AISI304	1
193-6	PLUG	304 STAINLESS	AISI304	1
200	LIFTING HANGER	STEEL	A283 Grade D	1
801	ROTOR	—	—	1
802	STATOR	—	—	1
811-1	POWER CABLE	—	—	2
811-2	CONTROL CABLE	—	—	1
814	MOTOR COVER	CAST IRON	A48 Class 30	1
816-1	BRACKET	CAST IRON	A48 Class 30	1
816-2	BRACKET	CAST IRON	A48 Class 30	1
817	BRACKET	CAST IRON	A48 Class 30	1
830	SHAFT	420J2 STAINLESS	AISI420	1
831	WATER JACKET	STEEL	A283 Grade D	1
838-1	WASHER	304 STAINLESS	AISI304	2
838-2	WASHER	304 STAINLESS	AISI304	1
†849-1	BALL BEARING	—	—	1 SET
†849-2	BALL BEARING	—	—	1
876	MOTOR PROTECTOR	—	—	3
909	LEAKAGE DETECTOR	—	—	1
924-1	PACKING	RUBBER (NBR)	—	2
924-2	PACKING	RUBBER (NBR)	—	1

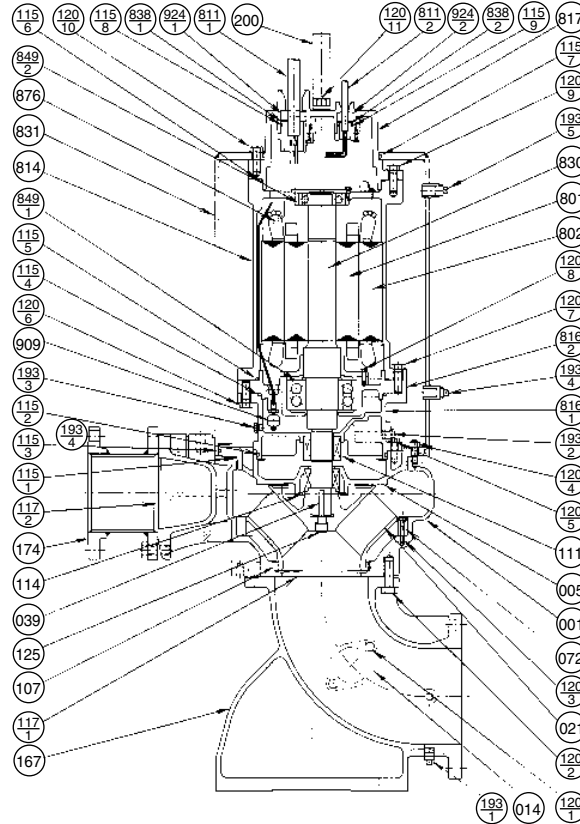
Motors are purchased as a complete unit
†: Recommended spare parts



Sectional View

Project: _____ Model: _____ Chk'd: _____ Date: _____

40 to 60HP
200 × 150DDLUFU
200 × 200DDLUFU



PART NO.	PART NAME	MATERIAL	ASTM, AISI CODE	NO. FOR 1 UNIT	PART NO.	PART NAME	MATERIAL	ASTM, AISI CODE	NO. FOR 1 UNIT
001	CASING	CAST IRON	A48 Class 30	1	120-10	BOLT	304 STAINLESS	AISI304	8
005	INTERMEDIATE CASING	CAST IRON	A48 Class 30	1	120-11	BOLT	304 STAINLESS	AISI304	2
014	HAND HOLE COVER	CAST IRON	A48 Class 30	1	125	BOLT	304 STAINLESS	AISI304	1
†021	IMPELLER	CAST IRON	A48 Class 30	1	167	SUCTION ELBOW	CAST IRON	A48 Class 30	1
039	KEY	420 STAINLESS	AISI420	1	174	DISCHARGE PIPE	STEEL	A283 Grade D	1
†072	UPPER CASE RING	CAST IRON	A48 Class 30	1	193-1	PLUG	STEEL		1
†107	LOWER CASE RING	304 STAINLESS	AISI304	1	193-2	PLUG	304 STAINLESS	AISI304	1
†111	MECHANICAL SEAL	—		1 SET	193-3	PLUG	304 STAINLESS	AISI304	1
†114	OIL SEAL	RUBBER (NBR)		1	193-4	PLUG	304 STAINLESS	AISI304	1
†115-1	O-RING	RUBBER (NBR)		1	193-5	PLUG	304 STAINLESS	AISI304	1
†115-2	O-RING	RUBBER (NBR)		1	200	LIFTING HANGER	STEEL	A283 Grade D	1
†115-3	O-RING	RUBBER (NBR)		1	801	ROTOR	—		1
†115-4	O-RING	RUBBER (NBR)		1	802	STATOR	—		1
†115-5	O-RING	RUBBER (NBR)		1	811-1	POWER CABLE	—		2
†115-6	O-RING	RUBBER (NBR)		1	811-2	CONTROL CABLE	—		1
†115-7	O-RING	RUBBER (NBR)		1	814	MOTOR COVER	CAST IRON	A48 Class 30	1
†115-8	O-RING	RUBBER (NBR)		2	816-1	BRACKET	CAST IRON	A48 Class 30	1
†115-9	O-RING	RUBBER (NBR)		1	816-2	BRACKET	CAST IRON	A48 Class 30	1
†117-1	GASKET			1	817	BRACKET	CAST IRON	A48 Class 30	1
†117-2	GASKET			1	830	SHAFT	420J2 STAINLESS	AISI420	1
120-1	BOLT	304 STAINLESS	AISI304	2	831	WATER JACKET	STEEL	A283 Grade D	1
120-2	BOLT	304 STAINLESS	AISI304	12	838-1	WASHER	304 STAINLESS	AISI304	2
120-3	BOLT	304 STAINLESS	AISI304	4	838-2	WASHER	304 STAINLESS	AISI304	1
120-4	BOLT	304 STAINLESS	AISI304	8	†849-1	BALL BEARING	—		1 SET
120-5	BOLT	304 STAINLESS	AISI304	4	†849-2	BALL BEARING	—		1
120-6	BOLT	304 STAINLESS	AISI304	8	876	MOTOR PROTECTOR	—		3
120-7	BOLT	304 STAINLESS	AISI304	8	909	LEAKAGE DETECTOR	—		1
120-8	BOLT	304 STAINLESS	AISI304	4	924-1	PACKING	RUBBER (NBR)		2
120-9	BOLT	304 STAINLESS	AISI304	6	924-2	PACKING	RUBBER (NBR)		1

Motors are purchased as a complete unit
 †: Recommended spare parts



Sectional View

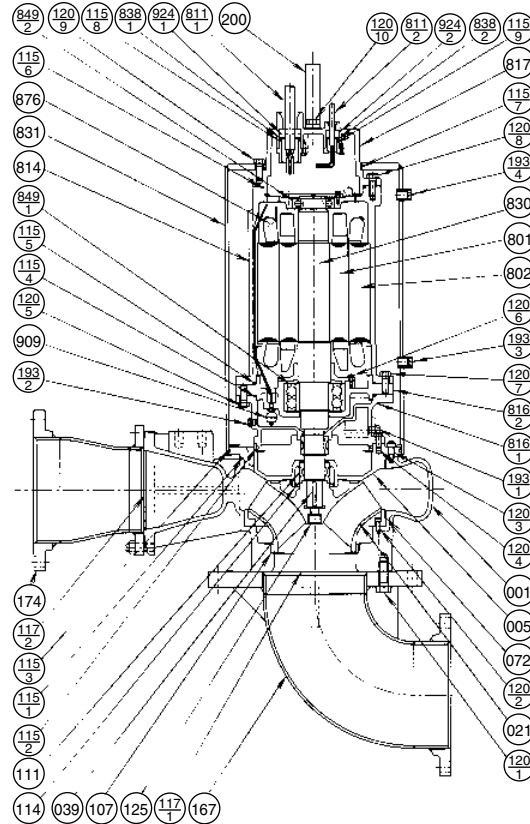
Project:

Model:

Chk'd:

Date:

40 to 60HP
250 x 250DDLUFU
300 x 300DDLUFU



PART NO.	PART NAME	MATERIAL	ASTM, AISI CODE	NO. FOR 1 UNIT
001	CASING	CAST IRON	A48 Class 30	1
005	INTERMEDIATE CASING	CAST IRON	A48 Class 30	1
†021	IMPELLER	CAST IRON	A48 Class 30	1
039	KEY	420 STAINLESS	AISI420	1
†072	UPPER CASE RING	CAST IRON	A48 Class 30	1
†107	LOWER CASE RING	304 STAINLESS	AISI304	1
†111	MECHANICAL SEAL	—	—	1 SET
†114	OIL SEAL	RUBBER (NBR)	—	1
†115-1	O-RING	RUBBER (NBR)	—	1
†115-2	O-RING	RUBBER (NBR)	—	1
†115-3	O-RING	RUBBER (NBR)	—	1
†115-4	O-RING	RUBBER (NBR)	—	1
†115-5	O-RING	RUBBER (NBR)	—	1
†115-6	O-RING	RUBBER (NBR)	—	1
†115-7	O-RING	RUBBER (NBR)	—	1
†115-8	O-RING	RUBBER (NBR)	—	2
†115-9	O-RING	RUBBER (NBR)	—	1
†117-1	GASKET	—	—	1
†117-2	GASKET	—	—	1
120-1	BOLT	304 STAINLESS	AISI304	12
120-2	BOLT	304 STAINLESS	AISI304	4
120-3	BOLT	304 STAINLESS	AISI304	8
120-4	BOLT	304 STAINLESS	AISI304	4
120-5	BOLT	304 STAINLESS	AISI304	8
120-6	BOLT	304 STAINLESS	AISI304	4
120-7	BOLT	304 STAINLESS	AISI304	8
120-8	BOLT	304 STAINLESS	AISI304	6
120-9	BOLT	304 STAINLESS	AISI304	8

PART NO.	PART NAME	MATERIAL	ASTM, AISI CODE	NO. FOR 1 UNIT
120-10	BOLT	304 STAINLESS	AISI304	2
125	BOLT	304 STAINLESS	AISI304	1
167	SUCTION ELBOW	STEEL	A283 Grade D	1
174	DISCHARGE PIPE	STEEL	A283 Grade D	1
193-1	PLUG	304 STAINLESS	AISI304	1
193-2	PLUG	304 STAINLESS	AISI304	1
193-3	PLUG	304 STAINLESS	AISI304	1
193-4	PLUG	304 STAINLESS	AISI304	1
200	LIFTING HANGER	STEEL	A283 Grade D	1
801	ROTOR	—	—	1
802	STATOR	—	—	1
811-1	POWER CABLE	—	—	2
811-2	CONTROL CABLE	—	—	1
814	MOTOR COVER	CAST IRON	A48 Class 30	1
816-1	BRACKET	CAST IRON	A48 Class 30	1
816-2	BRACKET	CAST IRON	A48 Class 30	1
817	BRACKET	CAST IRON	A48 Class 30	1
830	SHAFT	420J2 STAINLESS	AISI420	1
831	WATER JACKET	STEEL	A283 Grade D	1
838-1	WASHER	304 STAINLESS	AISI304	2
838-2	WASHER	304 STAINLESS	AISI304	1
†849-1	BALL BEARING	—	—	1 SET
†849-2	BALL BEARING	—	—	1
876	MOTOR PROTECTOR	—	—	3
909	LEAKAGE DETECTOR	—	—	1
924-1	PACKING	RUBBER (NBR)	—	2
924-2	PACKING	RUBBER (NBR)	—	1

Motors are purchased as a complete unit
†: Recommended spare parts

