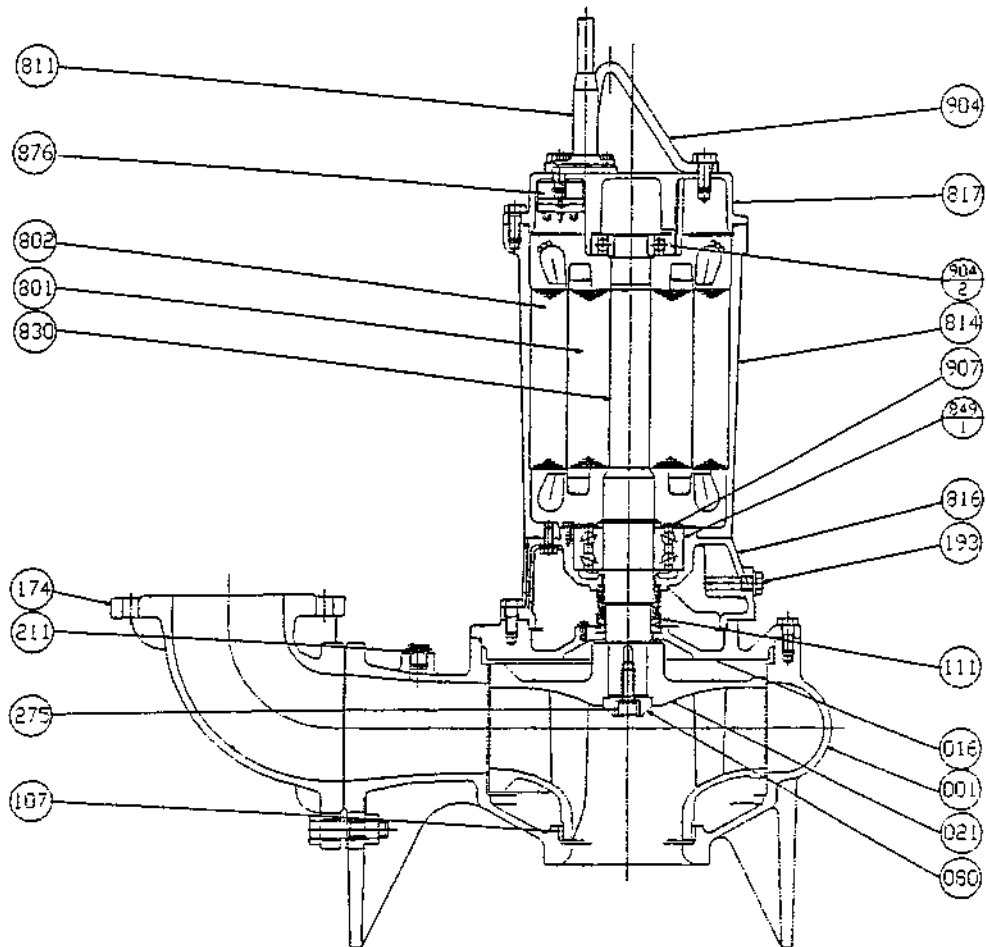


Sectional View

80CML62.2

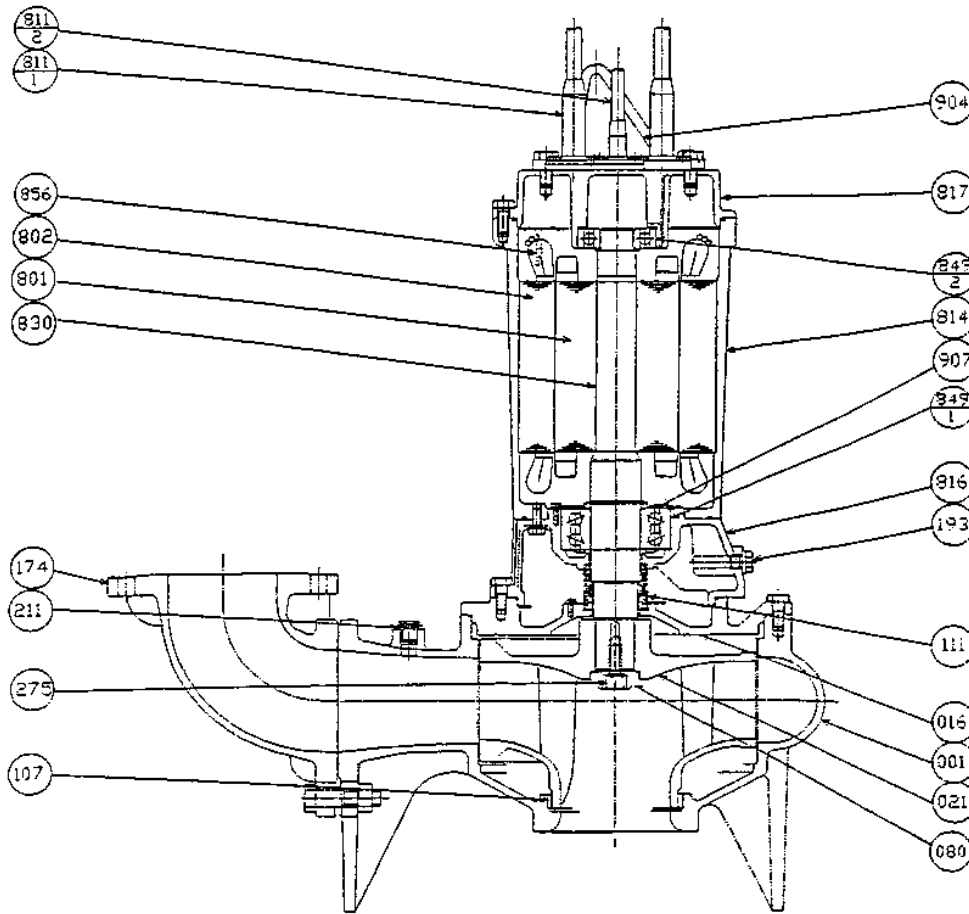


PART NO.	PART NAME	MATERIAL	NO. FOR 1 UNIT
001	CASING	CAST IRON	1
016	MECHANICAL SEAL COVER	CAST IRON	1
021	IMPELLER	CAST IRON	1
080	BUSHING	STAINLESS STEEL	1
107	WEAR RING	BRONZE	1
111	MECHANICAL SEAL	—	1
174	DISCHARGE PIPE	CAST IRON	1 SET
193	OIL PLUG	RUBBER (NBR)	1 SET
211	AIRVENT VALVE	BRASS	1
275	IMPELLER BOLT	STAINLESS STEEL	1
801	ROTOR	—	1
802	STATOR	—	1

PART NO.	PART NAME	MATERIAL	NO. FOR 1 UNIT
811	SUBMERSIBLE CABLE	—	2
814	MOTOR FRAME	CAST IRON	1
816	POWER SIDE BRACKET	CAST IRON	1
817	OPPOSITE SIDE BRACKET	CAST IRON	1
830	SHAFT	STAINLESS STEEL	1
849-1	BALL BEARING	—	1
849-2	BALL BEARING	—	1
876	AUTO CUT	—	3
904	LIFTING HANGER	STEEL	1
907	BEARING COVER	STEEL	1

Sectional View

5 to 10 HP  
 80CML  
 100CML  
 150CML

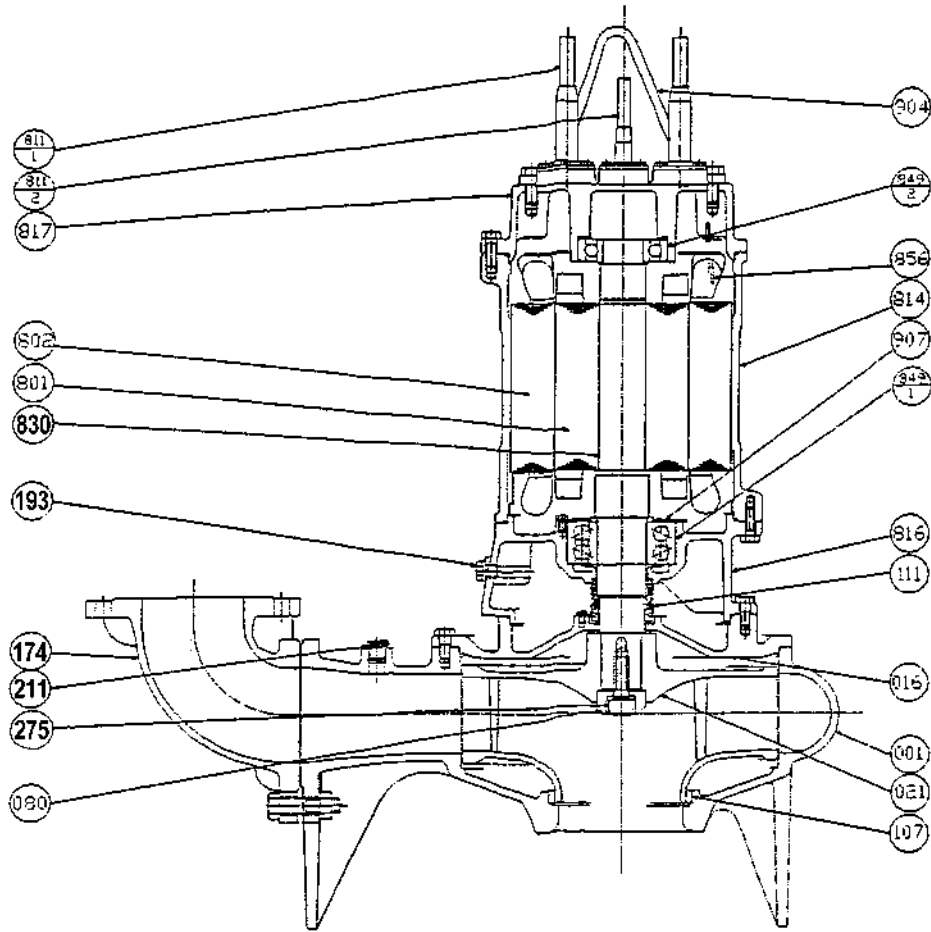


PART NO.	PART NAME	MATERIAL	NO. FOR 1 UNIT
001	CASING	CAST IRON	1
016	MECHANICAL SEAL COVER	CAST IRON	1
021	IMPELLER	CAST IRON	1
080	BUSHING	STEEL	1
107	WEARING RING	BRONZE	1
111	MECHANICAL SEAL	—	1
174	DISCHARGE PIPE	CAST IRON	1
193	OIL PLUG	RUBBER (NBR)	1 SET
211	AIRVENT VALVE	BRASS	1
275	IMPELLER BOLT	STAINLESS STEEL	1
801	ROTOR	—	1
802	STATOR	—	1

PART NO.	PART NAME	MATERIAL	NO. FOR 1 UNIT
811-1	SUBMERSIBLE CABLE (POWER)	—	2
811-2	SUBMERSIBLE CABLE (SIGNAL)	—	1
814	MOTOR FRAME	CAST IRON	1
816	POWER SIDE BRACKET	CAST IRON	1
817	OPPOSITE SIDE BRACKET	CAST IRON	1
830	SHAFT	STAINLESS STEEL	1
849-1	BALL BEARING	—	1
849-2	BALL BEARING	—	1
856	THERMAL PROTECTOR	—	3
904	LIFTING HANGER	STEEL	1
907	BEARING COVER	STEEL	1

Sectional View

15 to 30HP  
 80CML  
 100CML  
 150CML



PART NO.	PART NAME	MATERIAL	NO. FOR 1 UNIT
001	CASING	CAST IRON	1
016	MECHANICAL SEAL COVER	CAST IRON	1
021	IMPELLER	CAST IRON	1
080	BUSHING	STEEL	1
107	WEARING RING	BRONZE	1
111	MECHANICAL SEAL	—	1
174	DISCHARGE PIPE	CAST IRON	1
193	OIL PLUG	RUBBER (NBR)	1 SET
211	AIRVENT VALVE	BRASS	1
275	IMPELLER BOLT	STAINLESS STEEL	1
801	ROTOR	—	1
802	STATOR	—	1

PART NO.	PART NAME	MATERIAL	NO. FOR 1 UNIT
811-1	SUBMERSIBLE CABLE (POWER)	—	2
811-2	SUBMERSIBLE CABLE (SIGNAL)	—	1
814	MOTOR FRAME	CAST IRON	1
816	POWER SIDE BRACKET	CAST IRON	1
817	OPPOSITE SIDE BRACKET	CAST IRON	1
830	SHAFT	STAINLESS STEEL	1
849-1	BALL BEARING	—	1
849-2	BALL BEARING	—	1
856	THERMAL PROTECTORT	—	3
904	LIFTING HANGER	STEEL	1
907	BEARING COVER	STEEL	1