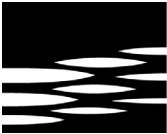


# Stainless Steel Centrifugal Pump

## Model 3U



Parts Reference



**EBARA**

EBARA Pumps Americas Corporation

**Sectional View**

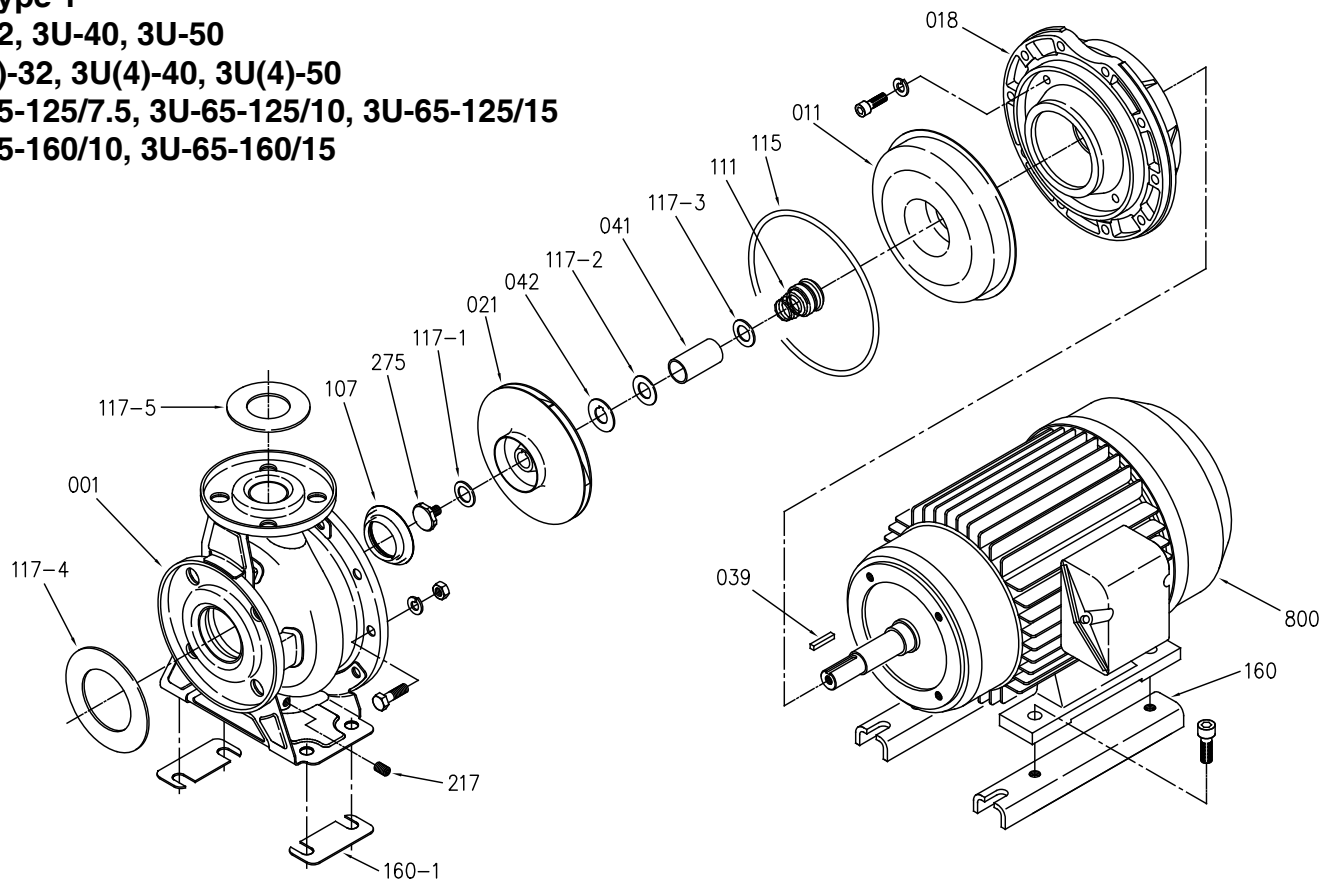
**3U Type 1**

**3U-32, 3U-40, 3U-50**

**3U(4)-32, 3U(4)-40, 3U(4)-50**

**3U-65-125/7.5, 3U-65-125/10, 3U-65-125/15**

**3U-65-160/10, 3U-65-160/15**



Part No.	Part Name	Materials	No. for 1 Unit
001	Casing	304L Stainless	1
011	Casing Cover	304L Stainless	1
018	Bracket	Cast Iron	1
021	Impeller	304L Stainless	1
039	Key	304L Stainless	1
041	Shaft Sleeve	304L Stainless	1
042	Impeller Spacer	304L Stainless	1
107	Liner Ring	304L Stainless + PTFE	1
111	Mechanical Seal	varies by model	1
115	O-Ring	Viton/EPDM	1
117-1	Gasket	Nylon	1
117-2	Gasket	Nylon	1
117-3	Gasket	Nylon	1
117-4	Suction Flange Gasket	EPDM	2
117-5	Discharge Flange Gasket	NBR/EPDM	2
160	Motor Support	Steel	2
160-1	Casing Support	Steel	2
217	Drain Plug	304L Stainless	1
275	Impeller Bolt	304L Stainless	1
800	Motor	-	1

Pump will use either motor supports or casing supports, depending on model.

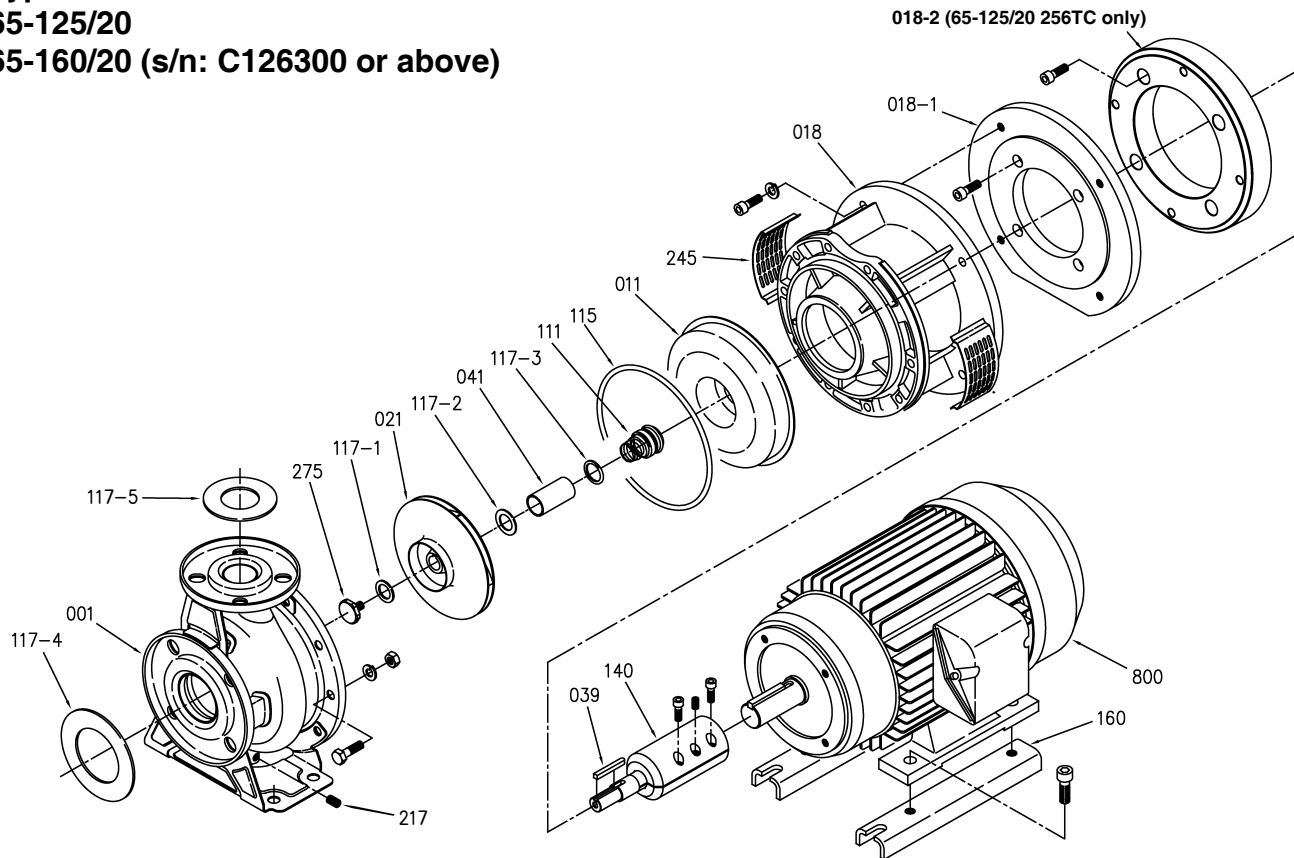


**Sectional View**

**3U Type 2**

**3U-65-125/20**

**3U-65-160/20 (s/n: C126300 or above)**



Part No.	Part Name	Materials	No. for 1 Unit
001	Casing	304L Stainless	1
011	Casing Cover	304L Stainless	1
018	Bracket	Cast Iron	1
018-1	Adapter Ring	Cast Iron	1
018-2	Adapter Ring (65-125 20hp only)	Cast Iron	1
021	Impeller	304L Stainless	1
039	Key	304L Stainless	1
041	Shaft Sleeve	304L Stainless	1
111	Mechanical Seal	varies by model	1
115	O-Ring	Viton/EPDM	1
117-1	Gasket	Nylon	1
117-2	Gasket	Nylon	1
117-3	Gasket	Nylon	1
117-4	Suction Flange Gasket	EPDM	2
117-5	Discharge Flange Gasket	NBR/EPDM	2
140	Coupling	304L Stainless	1
160	Motor Support	Steel	2
217	Drain Plug	304L Stainless	1
245	Coupling Guard	Stainless Steel	2
275	Impeller Bolt	304L Stainless	1
800	Motor	-	1



**Sectional View**

**Model 3U 65 Type 3**

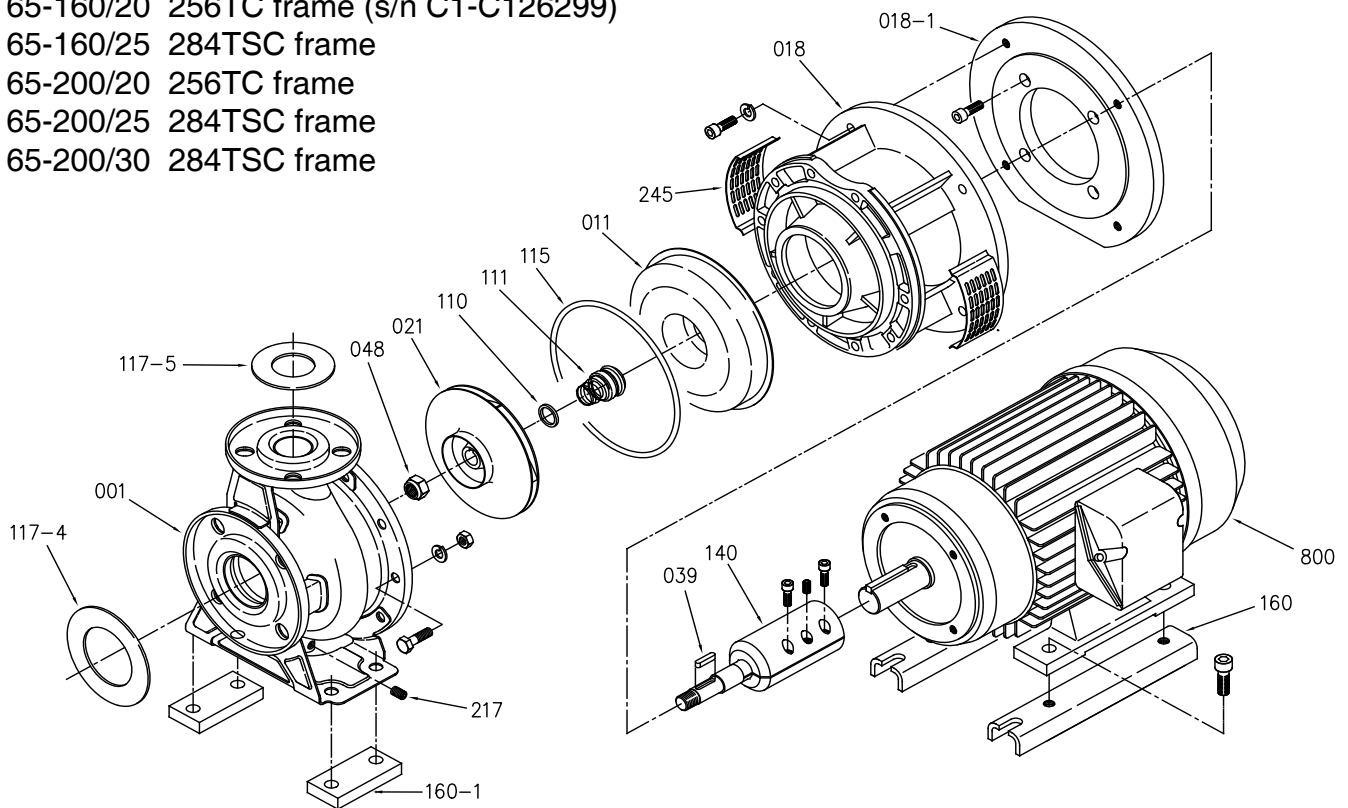
3U 65-160/20 256TC frame (s/n C1-C126299)

3U 65-160/25 284TSC frame

3U 65-200/20 256TC frame

3U 65-200/25 284TSC frame

3U 65-200/30 284TSC frame



Part No.	Part Name	Materials	No. for 1 Unit
001	Casing	304L Stainless	1
011	Casing Cover	304L Stainless	1
018	Bracket	Cast Iron	1
018-1	Adapter Ring	Cast Iron	1
021	Impeller	304L Stainless	1
039	Key	304L Stainless	1
048	Impeller Nut	Stainless Steel	1
110	Lip Seal	304L Stainless	1
111	Mechanical Seal	varies by model	1
115	O-Ring	Viton/EPDM	1
117-4	Suction Flange Gasket	EPDM	2
117-5	Discharge Flange Gasket	NBR/EPDM	2
140	Coupling	304L Stainless	1
160	Motor Support	Steel	2
160-1	Casing Support	Steel	2
217	Drain Plug	304L Stainless	1
245	Coupling Guard	Stainless Steel	2
800	Motor	-	1

Pump will use either motor supports or casing supports, depending on model.

