

# Stainless Steel Centrifugal Pump

## Model 3U



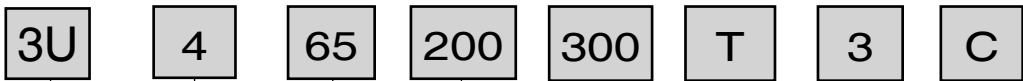
Technical Specification

**Contents**

Item No.	Specifications	Selection Chart	Performance Curve	Pump Dimensions	Sectional View				
3U-32-125-3 HP	402	403	404	434	440				
3U-32-160A-5 HP			405						
3U-32-160B-5 HP									
3U-32-200- 7½ HP									
3U-32-200-1-10 HP			406						
3U-40-125A-5 HP			407						
3U-40-125B-5 HP									
3U-40-160-7½ HP									
3U-40-160-1-10 HP			408						
3U-40-200A-15 HP			409						
3U-40-200B-15 HP									
3U-50-125-7½ HP									
3U-50-125-1-10 HP			410						
3U-50-160-10 HP			411						
3U-50-160-1-15 HP									
3U-65-125-7½ HP									
3U-65-125-10 HP	412	438	440						
3U-65-125-15 HP									
3U-65-125-20 HP									
3U-65-160-10 HP	416	439	441						
3U-65-160-15 HP									
3U-65-160-20 HP									
3U-65-160-25 HP	417	438	440						
3U-65-200-20 HP									
3U-65-200-25 HP									
3U-65-200-30 HP	418	439	441						
3U-65-160-20 HP									
3U-65-160-25 HP									
3U-65-200-20 HP									
3U-65-200-25 HP									
3U-65-200-30 HP									
3U-65-200-25 HP	419	439	442						
3U-65-200-30 HP									
3U-32-200-1 HP				402	423	424	436	440	
3U4-32-200-1-1½ HP						425			
3U4-32-200-2-2 HP									
3U4-40-160-1 HP									
3U4-40-160-1-1½ HP	427								
3U4-40-200A-1½ HP									
3U4-40-200B-2 HP									
3U4 50-125-1 HP	429								
3U4 50-125-1-1½ HP									
3U4-50-125-2-2HP									
3U4-50-160-1½ HP	430								
3U4-50-160-1-2 HP									
			431						
			432						
			433						



**Model Designation**



**MODEL TYPE**

3U- stainless steel centrifugal

**SPEED**

(none) – 3450 RPM  
4 – 1725 RPM

**DISCHARGE SIZE**

32 – 1¼”  
40 – 1½”  
50 – 2”  
65 – 2½”

**IMPELLER PERFORMANCE CODE**

125	1251	1252
160	1601	1601
200	2001	2002

**MOTOR HP**

10 – 1 HP	100 – 10HP
15 – 1.5 HP	150 – 15HP
20 – 2HP	200 – 20HP
30 – 3HP	250 – 25HP
50 – 5HP	300 – 30HP
75 – 7.5HP	

**MOTOR ENCLOSURE**

T – TEFC	W – Washdown
D – ODP	X – Explosion Proof

**PHASE**

1 – single phase  
3 – three phase

**MECHANICAL SEAL TYPE**

C – Carbon/Ceramic/Viton  
G – Carbon/Ceramic/Buna  
H – Hot Water – Carbon/Ni-Resist/Viton  
CO – Carbon-Ceramic-Viton  
GO – Carbon-Ceramic-Buna  
HO – Carbon-Ni-Resist-Viton

EPDM – Carbon-Ceramic-EPDM  
SCCV – Si-Carbide-Carbon-Viton  
VSC – Si-Carbide-Si-Carbide-Viton  
ESC – Si-Carbide-Si-Carbide-EPDM



Certified to  
NSF/ANSI CAN 61  
& 372

*Note: Model 3U with seal code “C” is Certified*



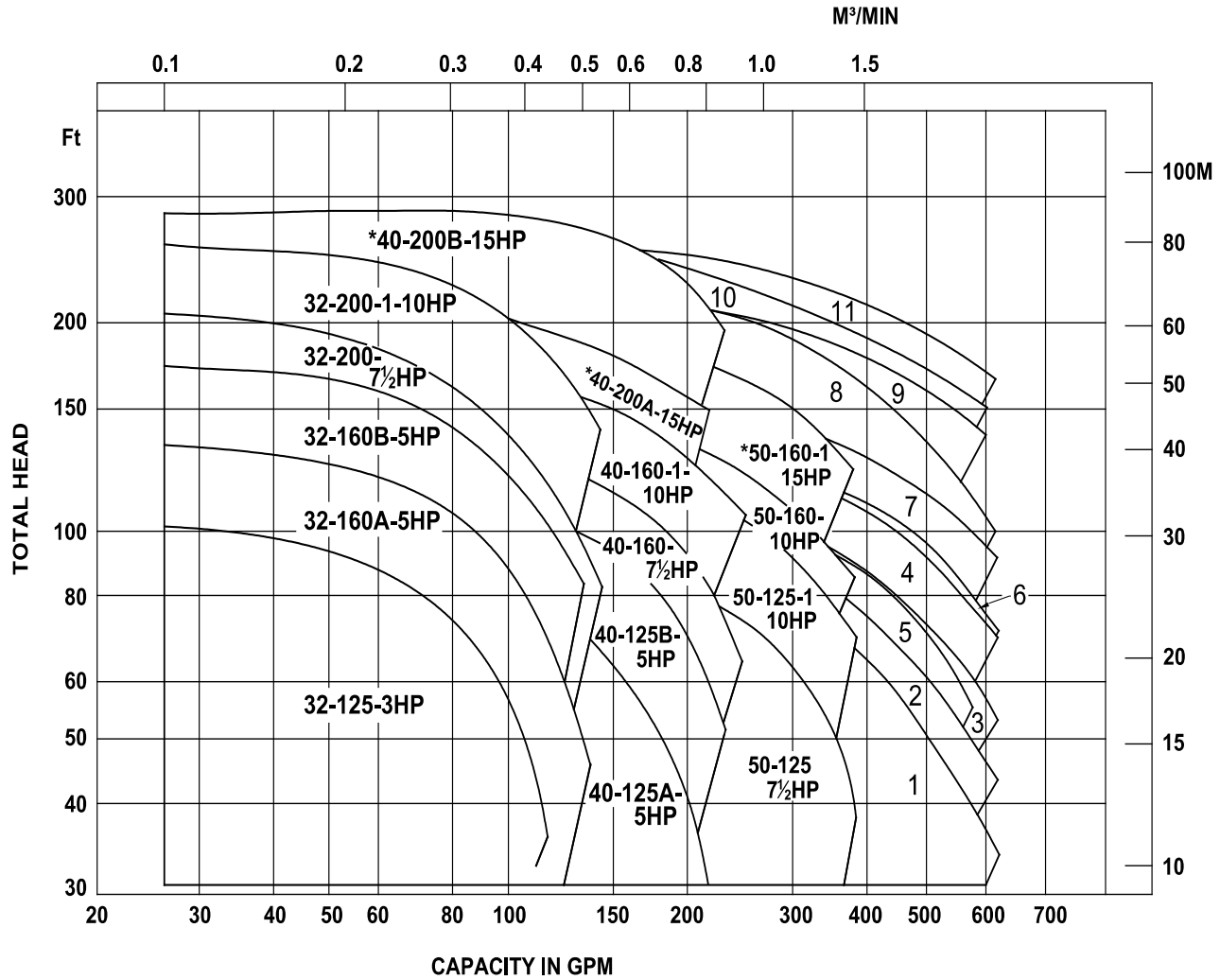
**Specifications**

	Standard	Optional										
<b>Size</b> Suction (150 lb ANSI R.F. equivalent)  Discharge (150 lb ANSI R.F. equivalent)	3U32 – 2” ANSI Equivalent 3U40 – 2½” ANSI Equivalent 3U50 – 2½” ANSI Equivalent 3U65 – 3” ANSI Equivalent  3U32 – 1¼ ANSI Equivalent 3U40 – 1½ ANSI Equivalent 3U50 – 2” ANSI Equivalent 3U65 – 2½” ANSI Equivalent	Companion Flange Kit 150 Lb ANSI, Female NPT										
<b>Range of HP</b>	3U – 3 HP to 15 HP 3U65 – 7½ HP to 30 HP											
<b>Range of Performance</b> Capacity Head	13 to 700 GPM at 3450 RPM 33 to 250 feet at 3450 RPM											
<b>Liquid Handled</b> Type of liquid Temperature  Max working pressure	Clean water 14°F to 212°F (-10°C to 100°C)  145 PSI (10 Bar)	Min -4°F (-20°C) with Carbon/Ceramic/EPDM seal Max 250°F (121°C) with Carbon/ Ni-Resist/Viton seal										
<b>Materials</b> Casing Impeller (closed type) Shaft Sleeve/Coupling Bracket	<table border="0"> <tr> <td>3U</td> <td>3U65</td> </tr> <tr> <td>304L Stainless Steel</td> <td>304L Stainless Steel</td> </tr> <tr> <td>304L Stainless Steel</td> <td>316SS</td> </tr> <tr> <td>304L Stainless Steel</td> <td>304L Stainless Steel</td> </tr> <tr> <td>Cast Iron</td> <td>Cast Iron</td> </tr> </table>	3U	3U65	304L Stainless Steel	304L Stainless Steel	304L Stainless Steel	316SS	304L Stainless Steel	304L Stainless Steel	Cast Iron	Cast Iron	
3U	3U65											
304L Stainless Steel	304L Stainless Steel											
304L Stainless Steel	316SS											
304L Stainless Steel	304L Stainless Steel											
Cast Iron	Cast Iron											
<b>Shaft Seal</b> Seal Material	Mechanical Seal – Type 21 Carbon/Ceramic/Viton	Carbon/Ceramic/Buna Carbon/Ceramic/EPDM Carbon/Ni-Resist/Viton Si-Carbide-Si-Carbide-EPDM Si-Carbide/Carbon/Viton Si-Carbide/Si-Carbide/Viton										
<b>Direction of Rotation</b>	Clockwise when viewed from motor end											
<b>Motor</b> Type Speed Bearing Single Phase  Three Phase  Motor Protection	NEMA JM, TC, TSC Frame 60Hz, 3450 RPM (2 poles) / 1750 RPM (4 poles) Ball Bearing TEFC – 3 HP (230V) ODP –3 HP to 10 HP (230 V)  TEFC – 3 HP to 30 HP ODP – 3 HP to 30 HP 230/460 V (usable at 208V)  Overload protection must be provided	Explosion proof- consult factory for availability Washdown duty-consult factory for availability										
<b>Standard Accessories</b>	Suction and Discharge Flange Gasket Motor Support											



Selection Chart

Nominal Speed 3450 RPM



- |                   |                   |
|-------------------|-------------------|
| 1. 3U65-125-7.5HP | 7. 3U65-160-20HP  |
| 2. 3U65-125-10HP  | 8. 3U65-160-25HP  |
| 3. 3U65-125-15HP  | 9. 3U65-200-20HP  |
| 4. 3U65-125-20HP  | 10. 3U65-200-25HP |
| 5. 3U65-160-10HP  | 11. 3U65-200-30HP |
| 6. 3U65-160-15HP  |                   |

\*Three phase motor only

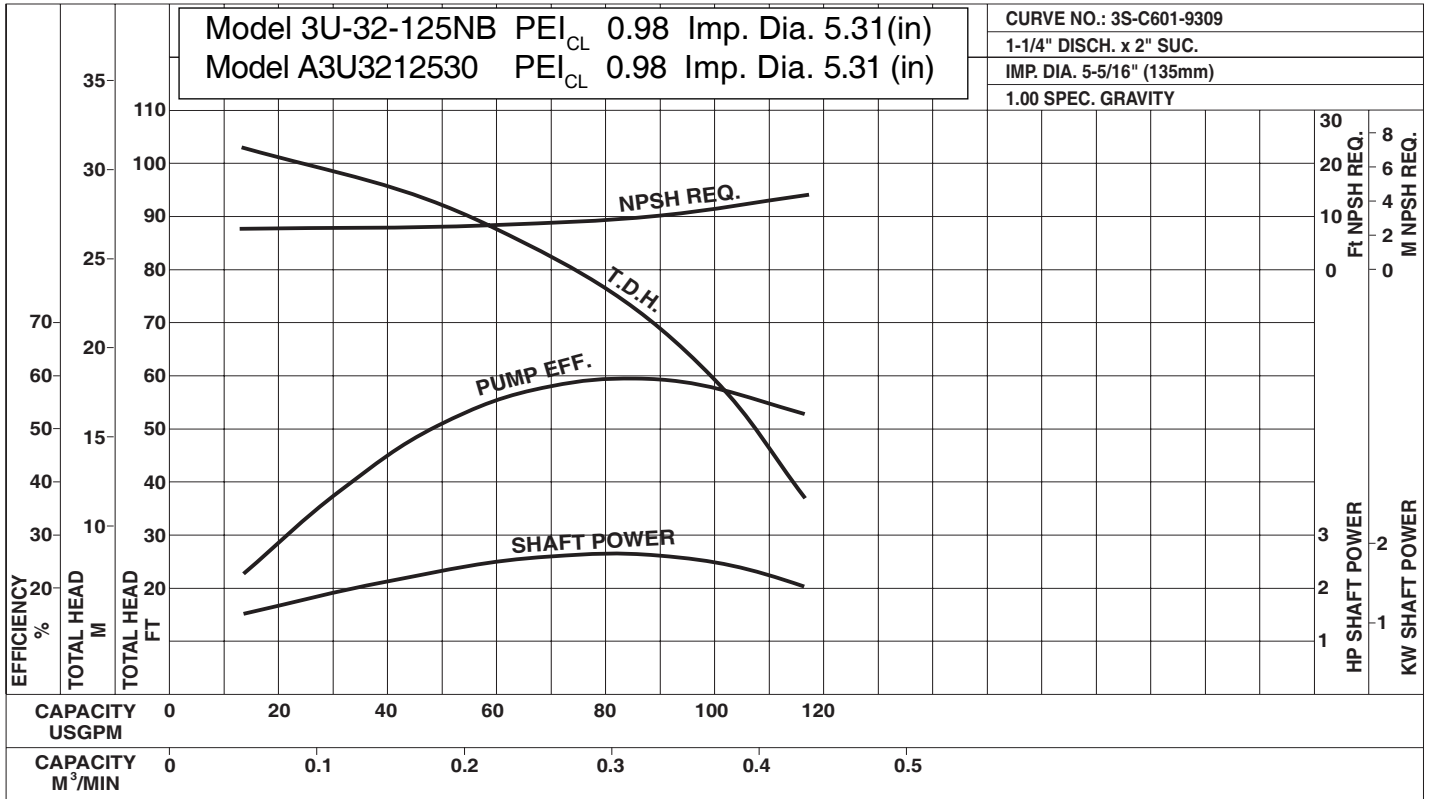


**Performance Curves**

**3U 32-125-3HP**

**Nominal Speed: 3450 RPM**

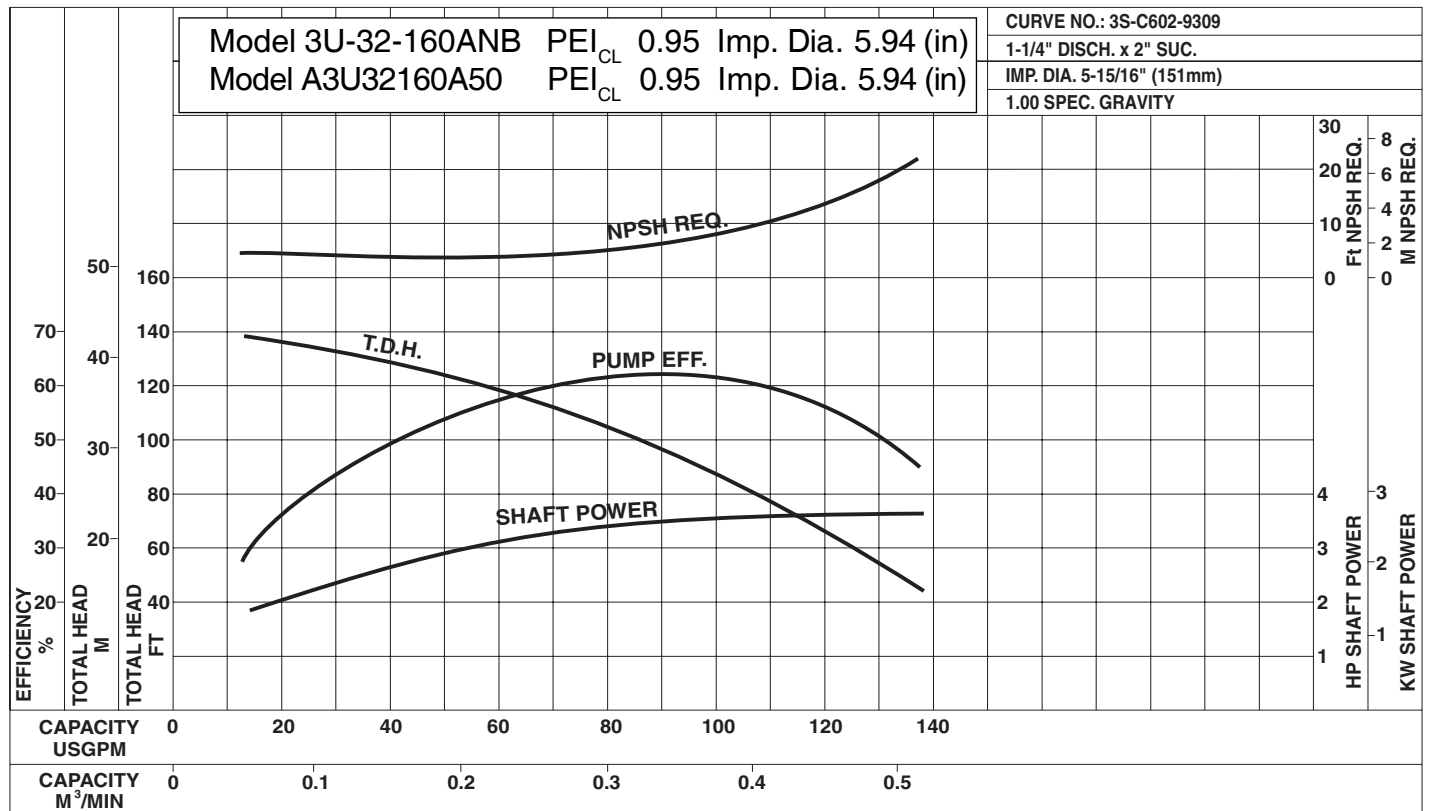
**Size: 1 1/4 x 2 x 5 5/16**



**3U 32-160A-5HP**

**Nominal Speed: 3450 RPM**

**Size: 1 1/4 x 2 x 5 15/16**

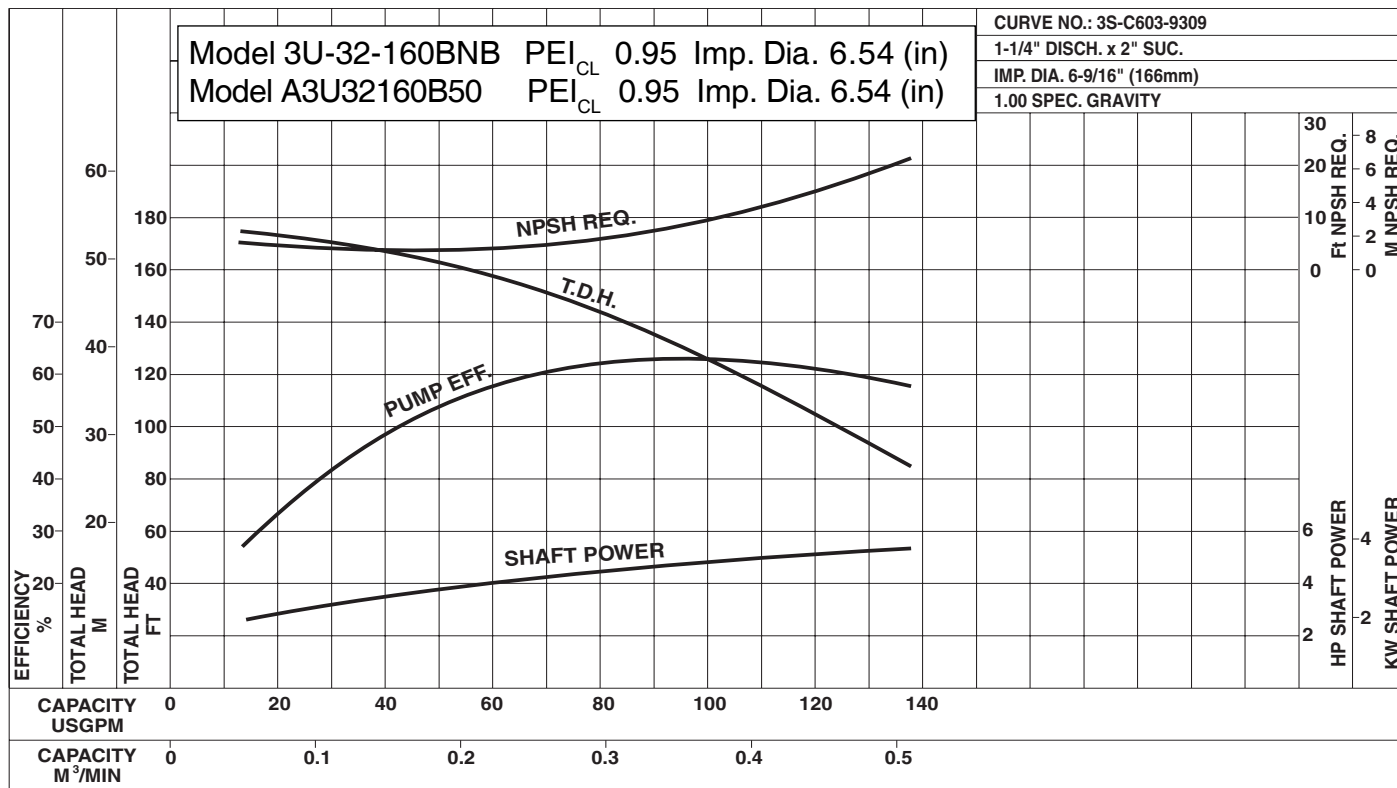


Performance Curves

3U 32-160B-5HP

Nominal Speed: 3450 RPM

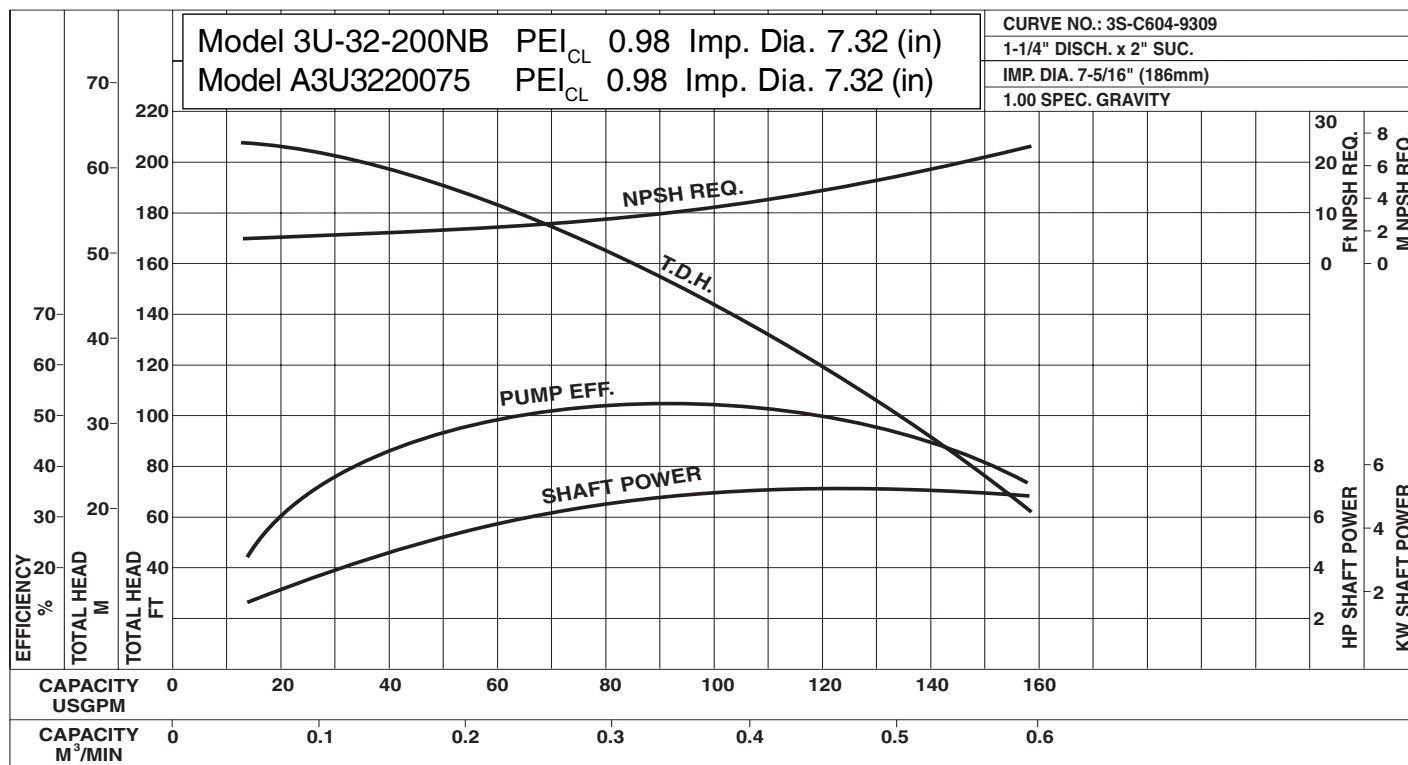
Size: 1¼ x 2 x 6<sup>9</sup>/<sub>16</sub>



3U 32-200-7½HP

Nominal Speed: 3450 RPM

Size: 1¼ x 2 x 7<sup>5</sup>/<sub>16</sub>

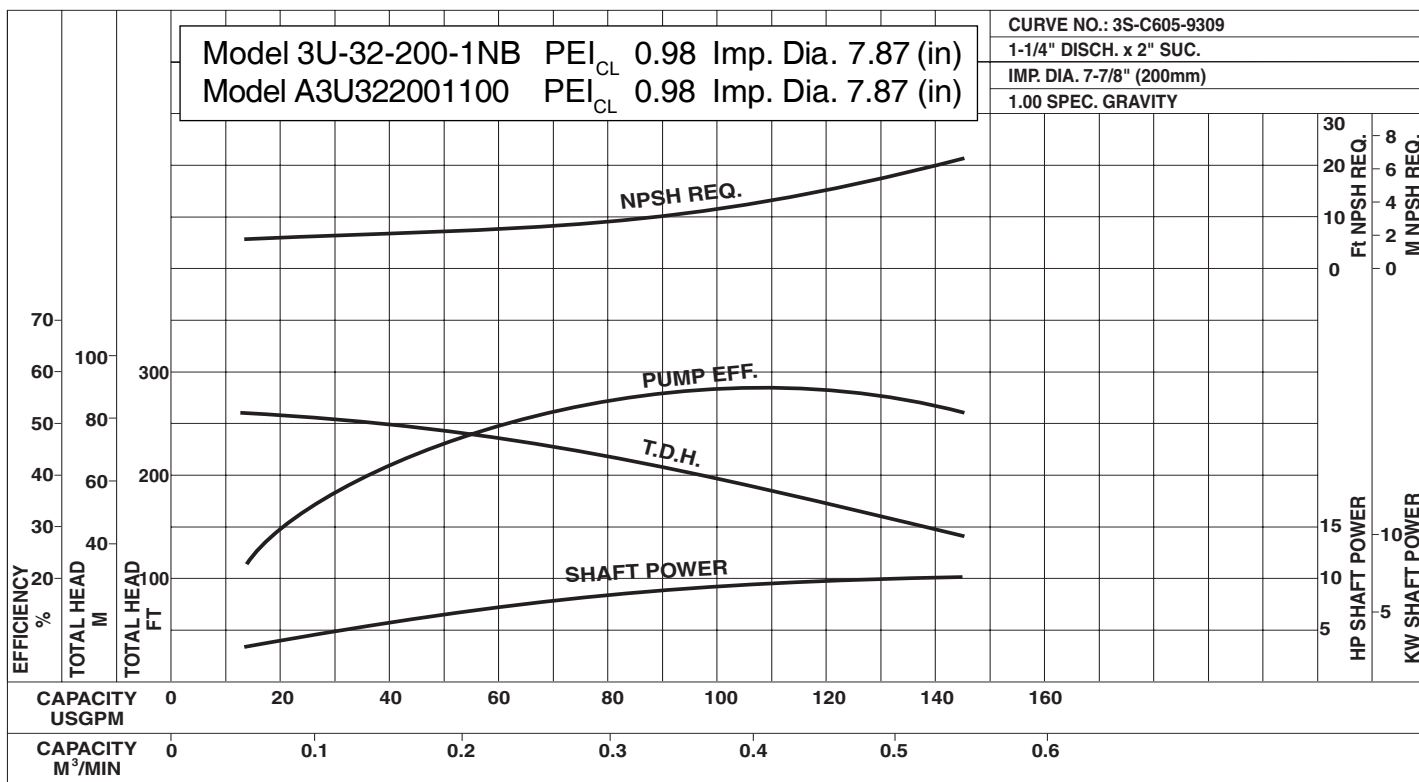


Performance Curves

3U 32-200-1-10HP

Nominal Speed: 3450 RPM

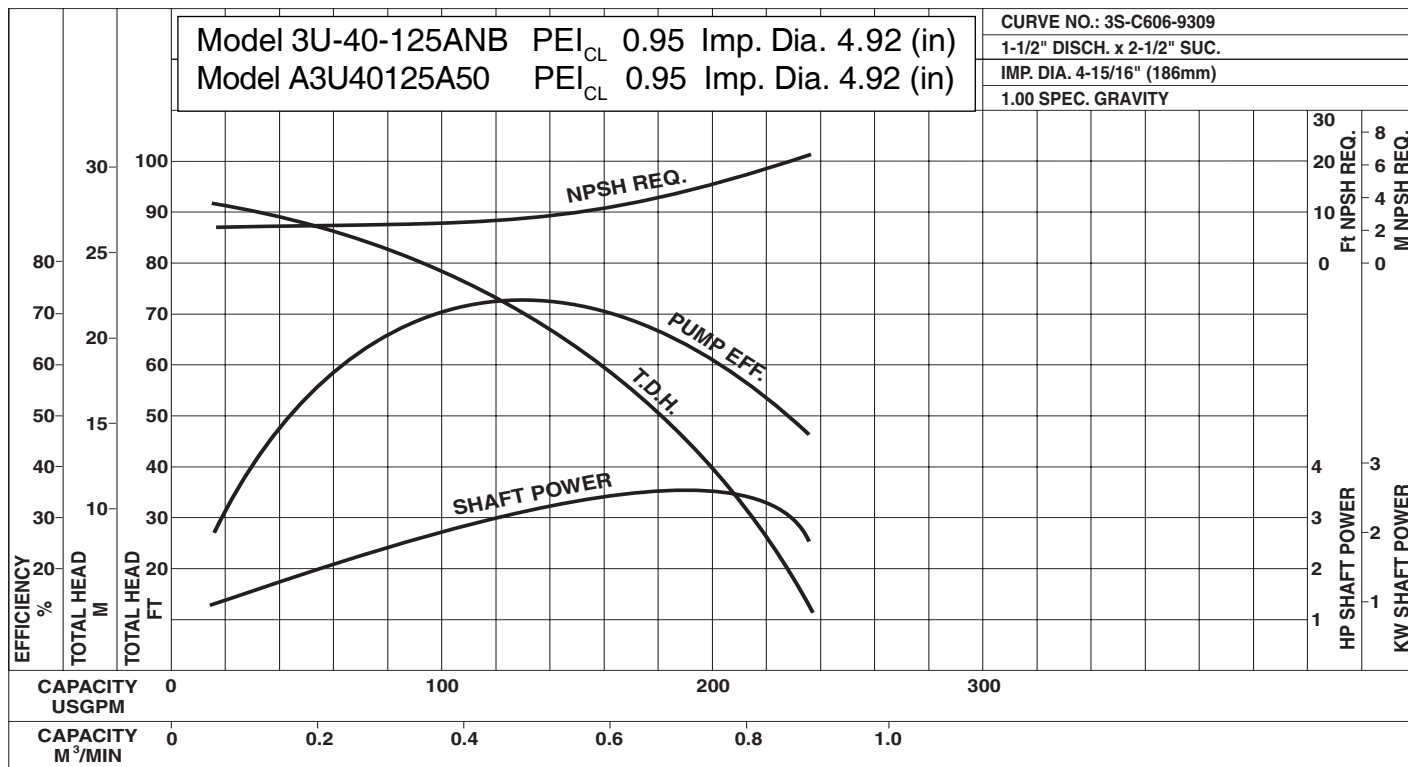
Size: 1¼ x 2 x 7⅞



3U 40-125A-5HP

Nominal Speed: 3450 RPM

Size: 1½ x 2½ x 4<sup>15</sup>/<sub>16</sub>



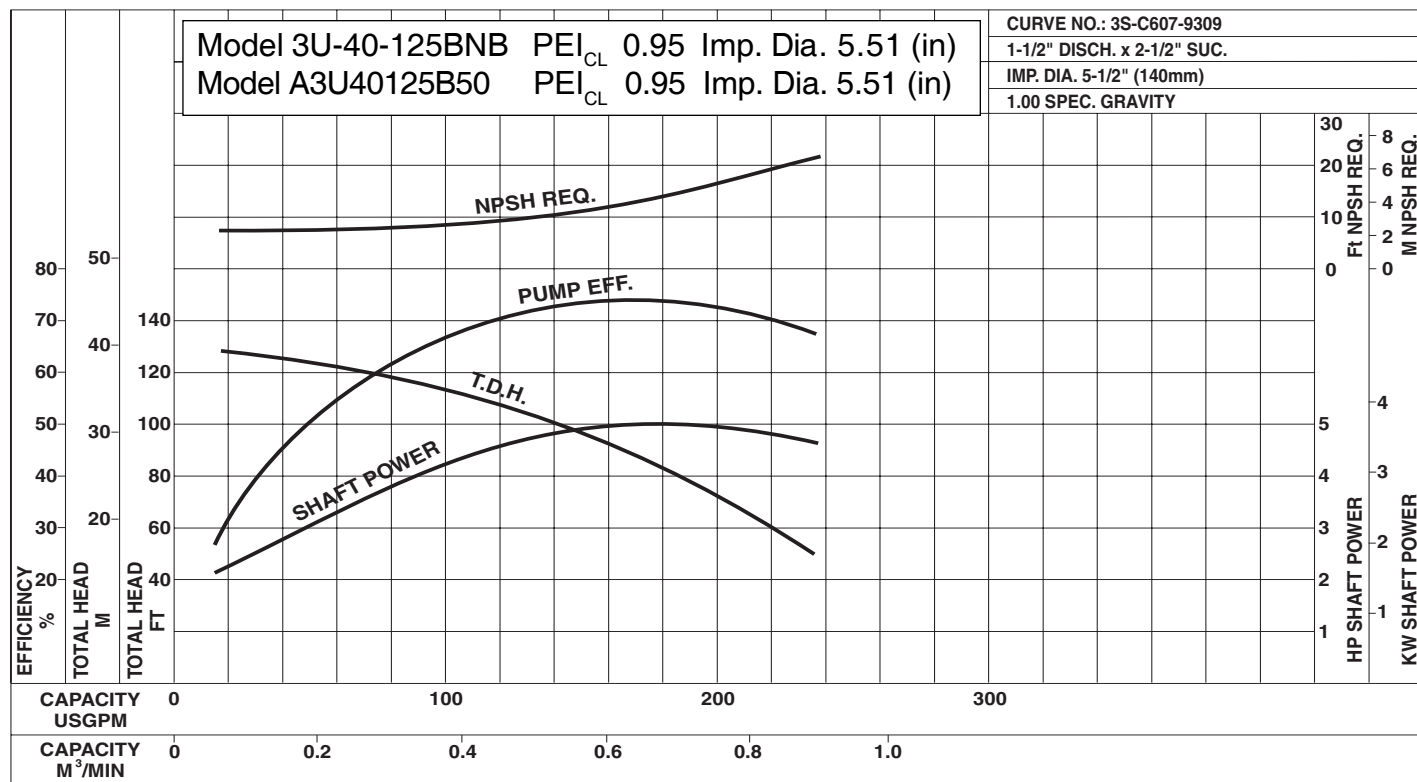


Performance Curves

3U 40-125B-5HP

Nominal Speed: 3450 RPM

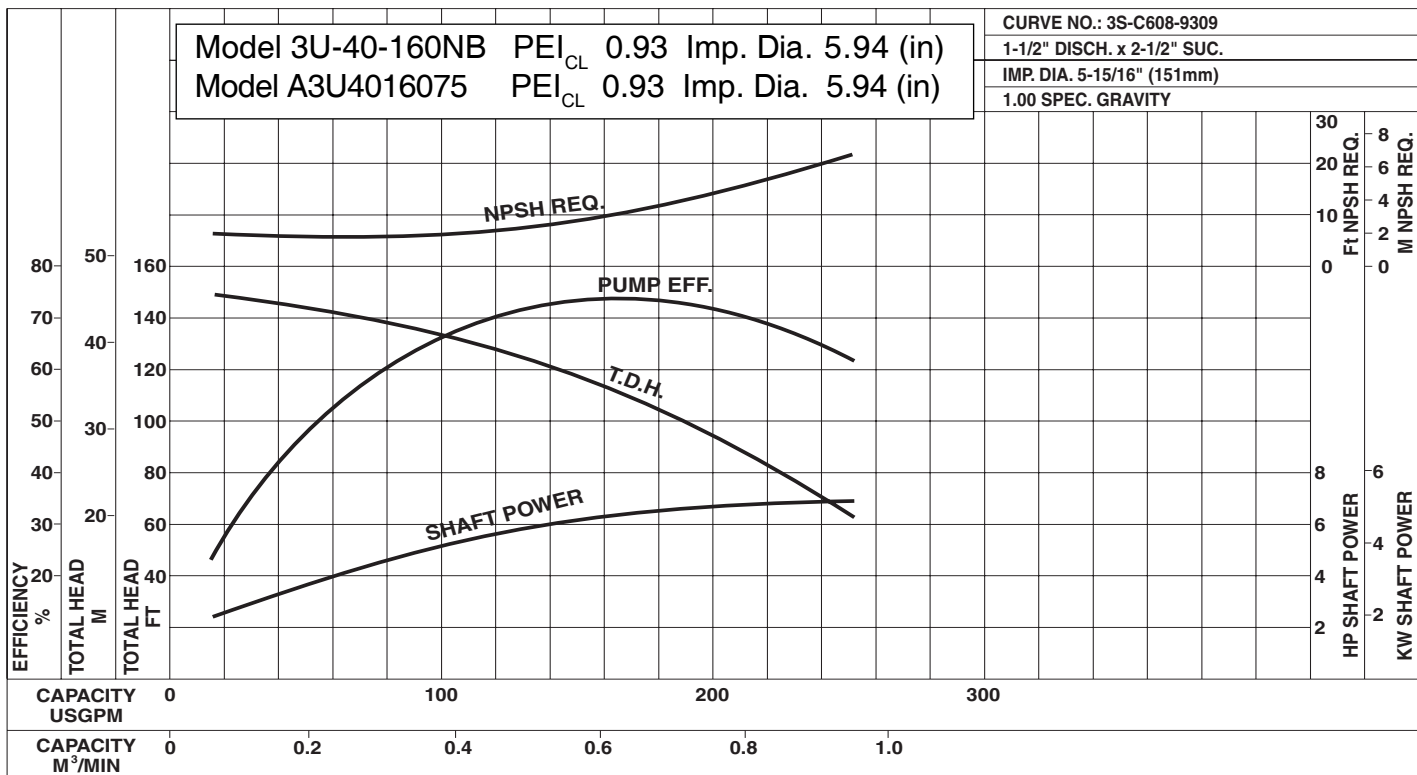
Size: 1½ x 2½ x 5½



3U 40-160-7½HP

Nominal Speed: 3450 RPM

Size: 1½ x 2½ x 5<sup>15</sup>/<sub>16</sub>

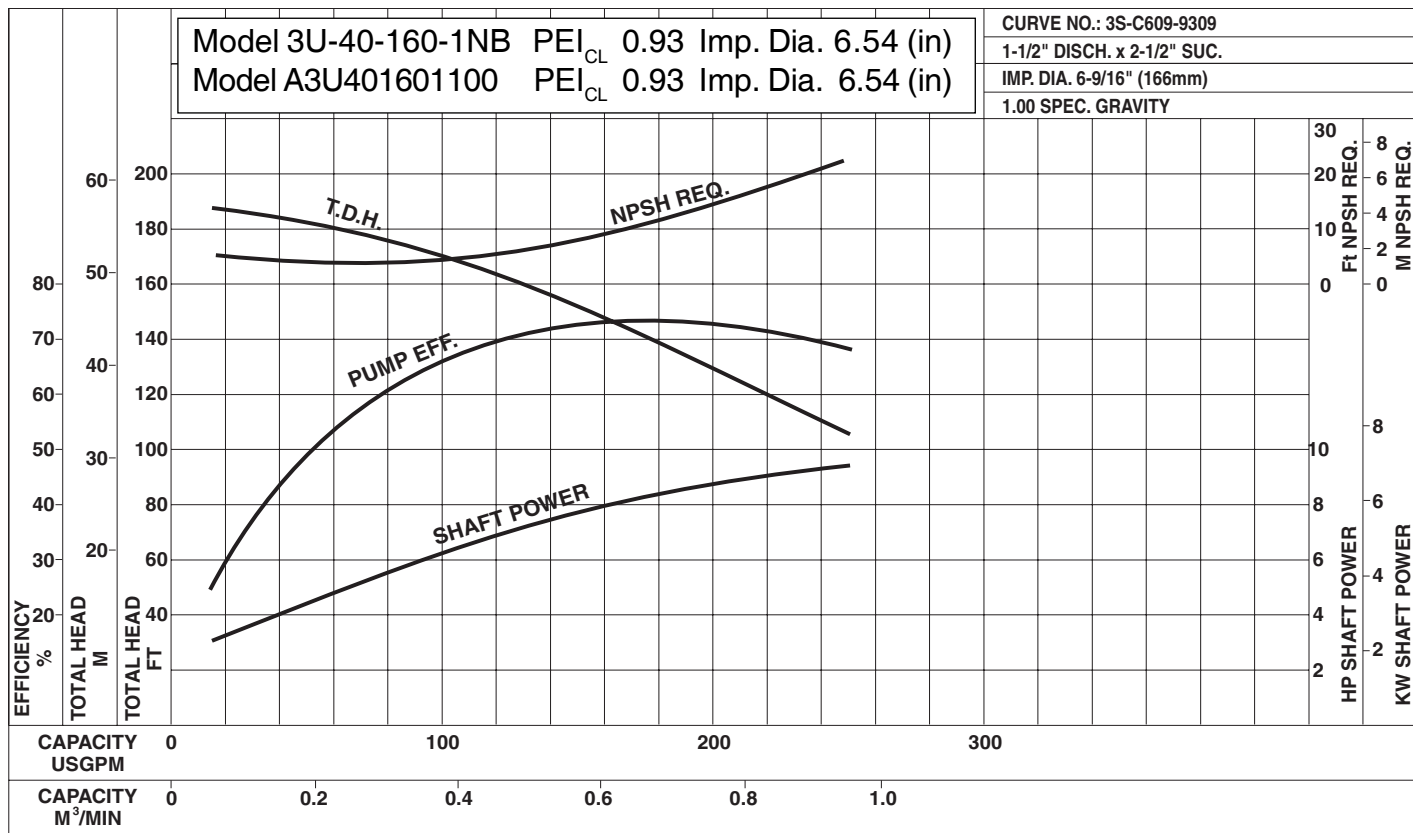


Performance Curves

3U 40-160-1-10HP

Nominal Speed: 3450 RPM

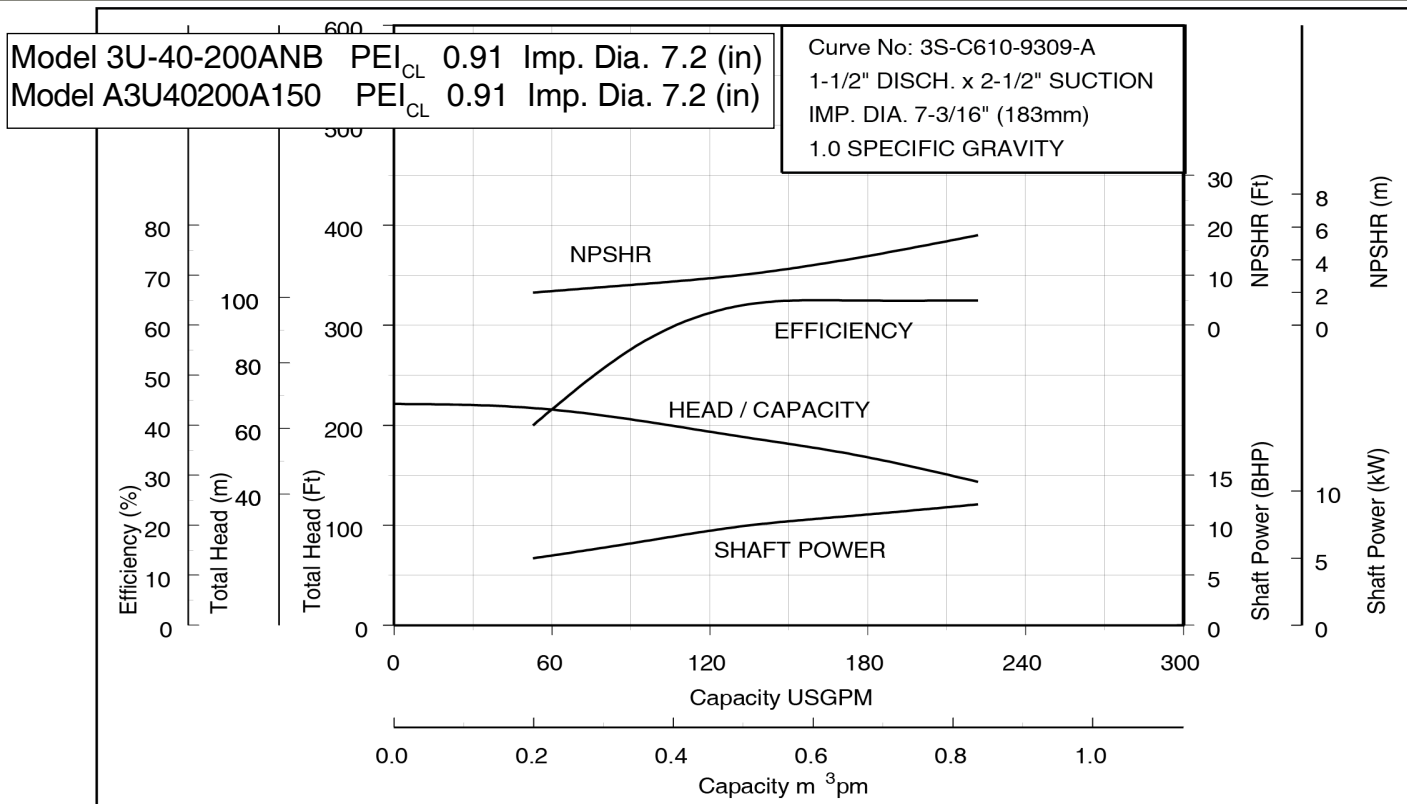
Size: 1½ x 2½ x 6<sup>9</sup>/<sub>16</sub>



3U 40-200A-15HP

Nominal Speed: 3450 RPM

Size: 1½ x 2½ x 7<sup>3</sup>/<sub>16</sub>

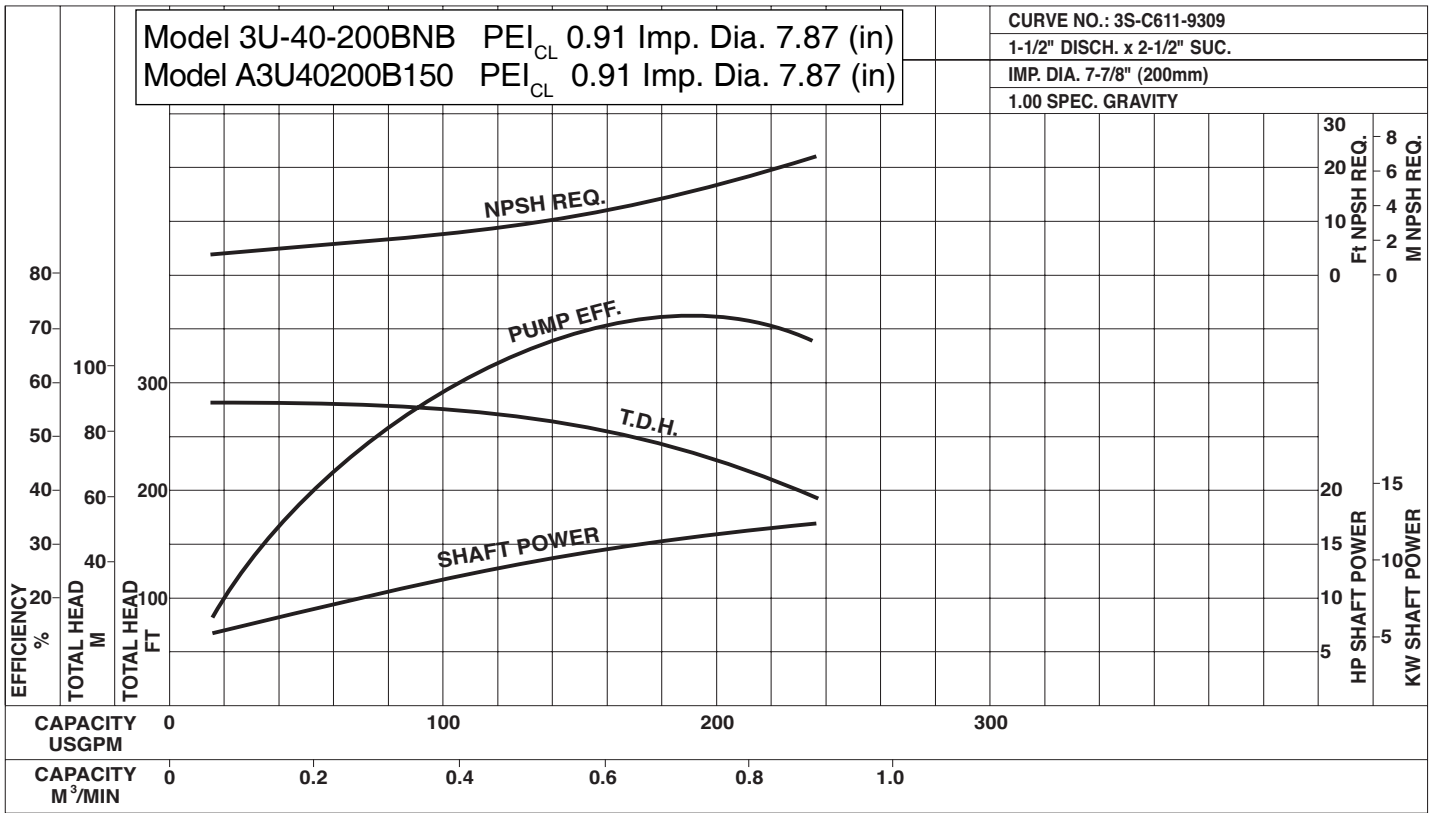


**Performance Curves**

**3U 40-200B-15HP**

**Nominal Speed: 3450 RPM**

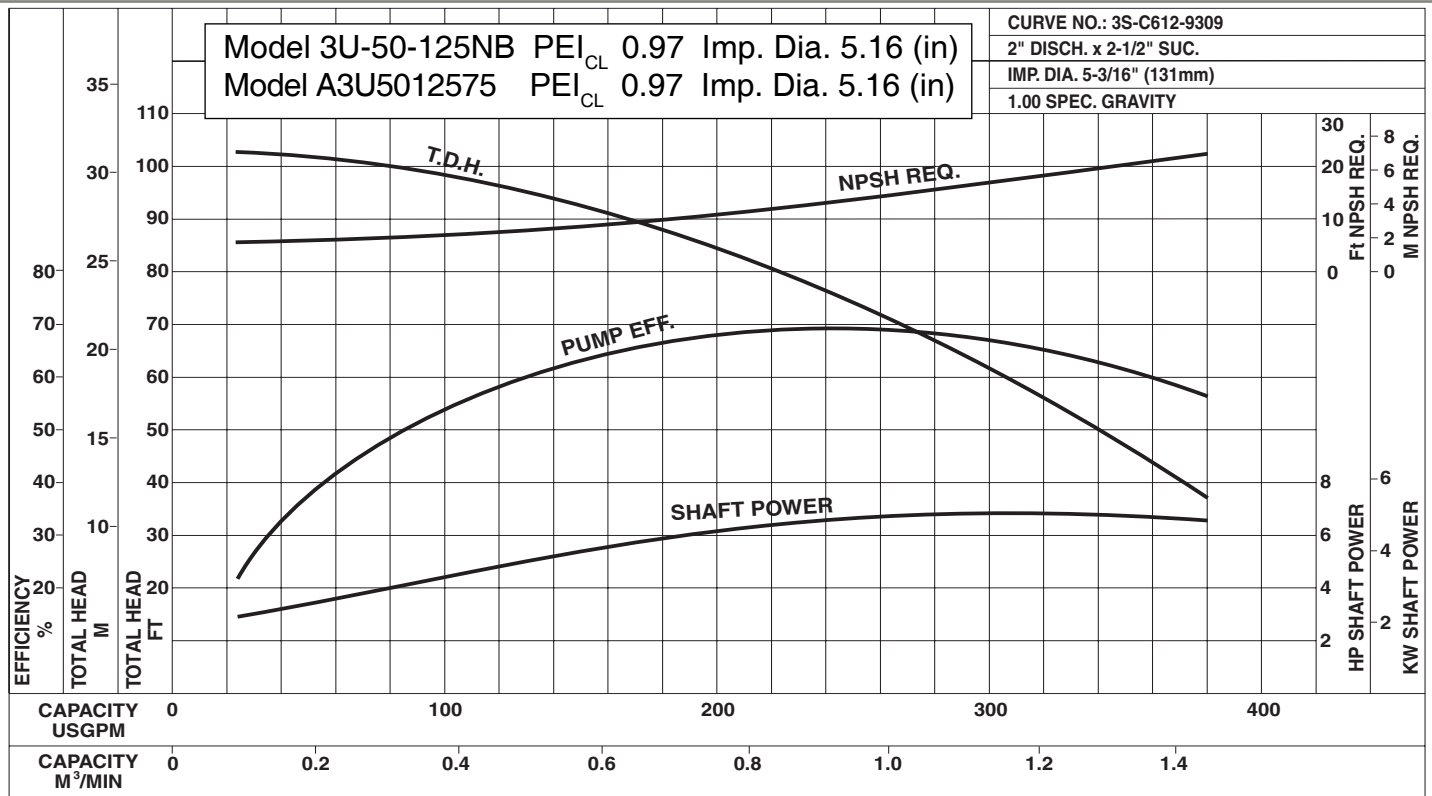
**Size: 1½ x 2½ x 7⅞**



**3U 50-125-7½HP**

**Nominal Speed: 3450 RPM**

**Size: 2 x 2½ x 5⅜**

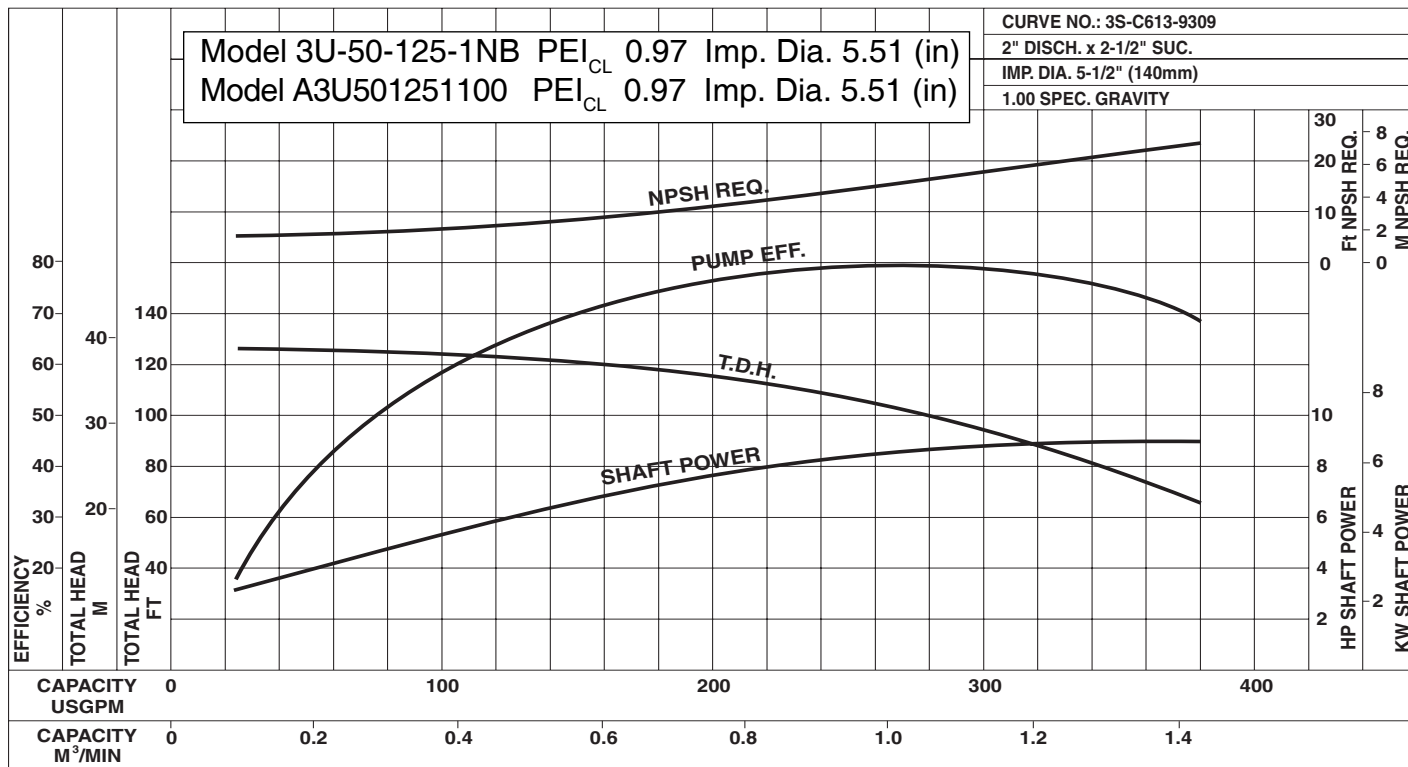


Performance Curves

3U 50-125-1-10HP

Nominal Speed: 3450 RPM

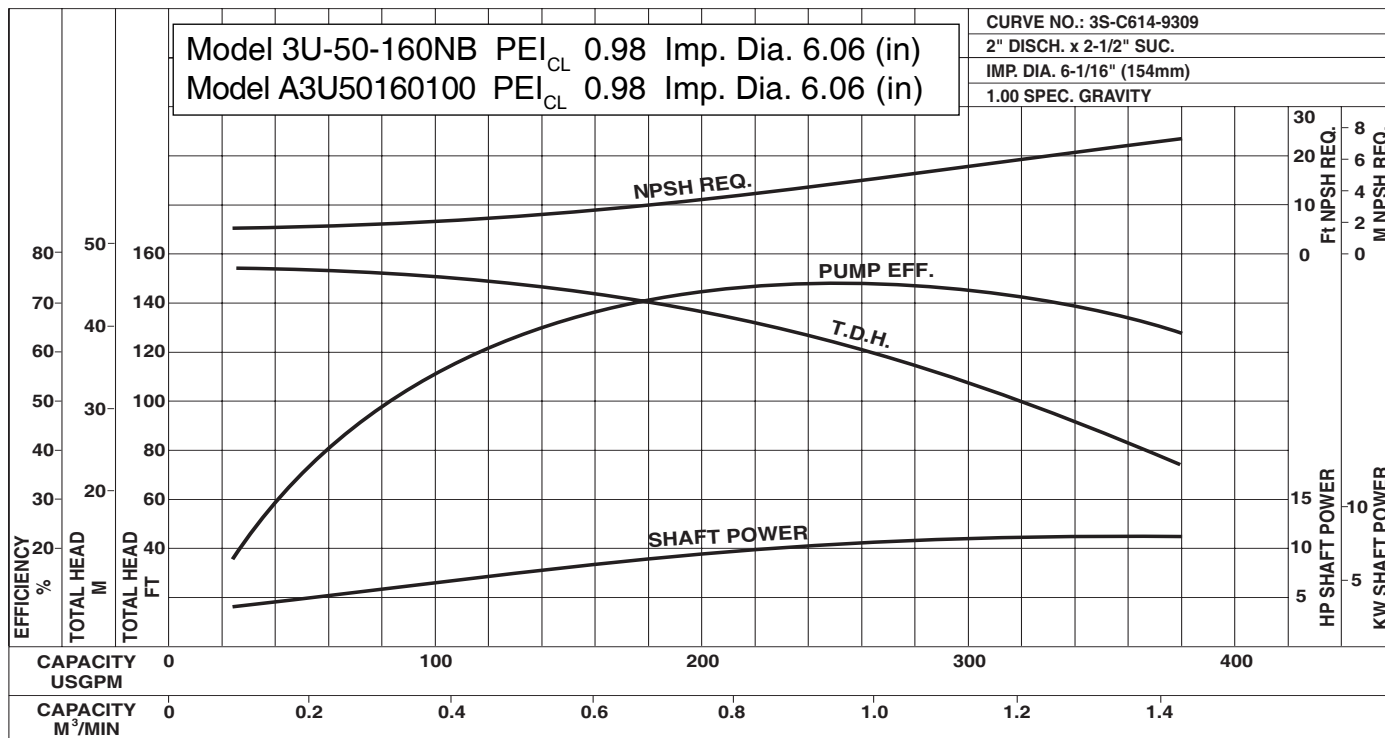
Size: 2 x 2½ x 5½



3U 50-160-10HP

Nominal Speed: 3450 RPM

Size: 2 x 2½ x 6¼

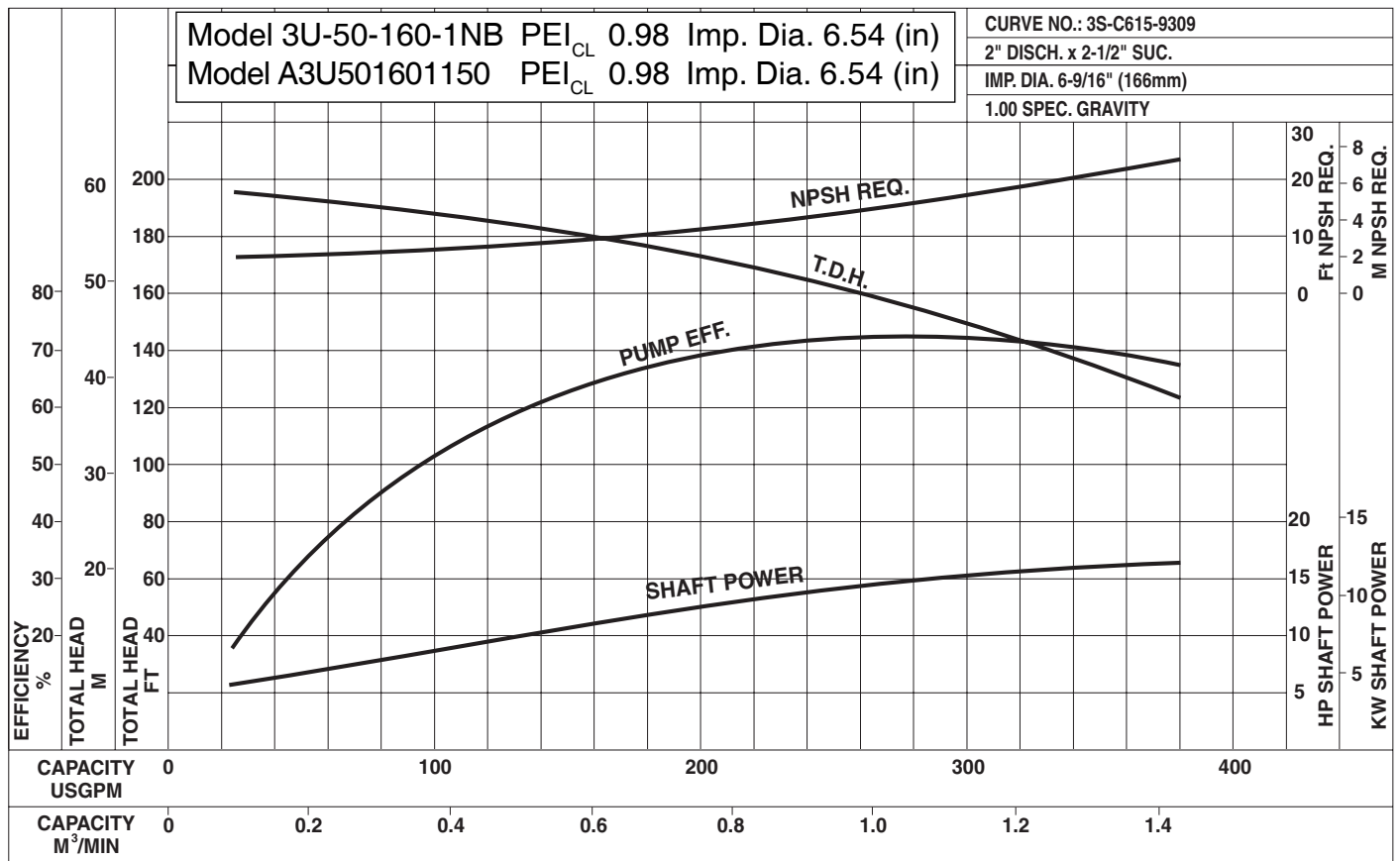


Performance Curves

3U 50-160-1-15HP

Nominal Speed: 3450 RPM

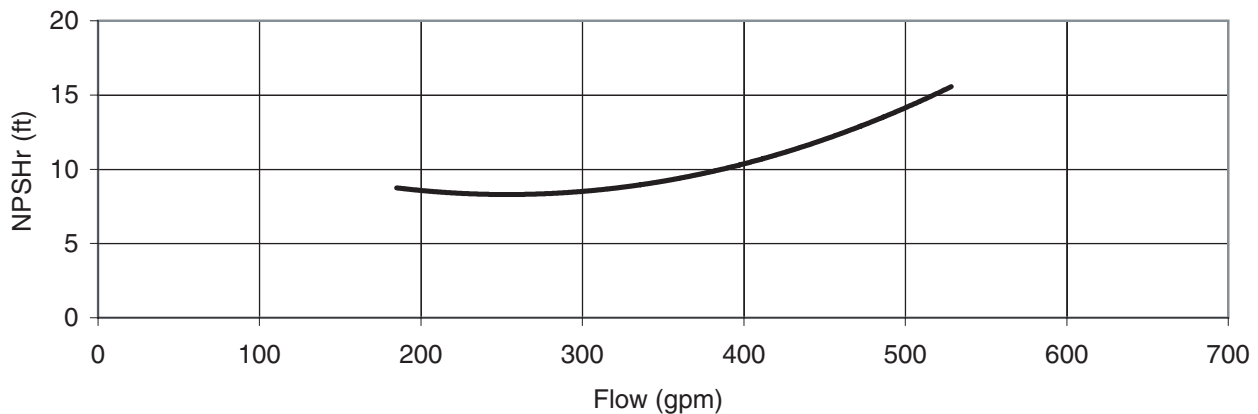
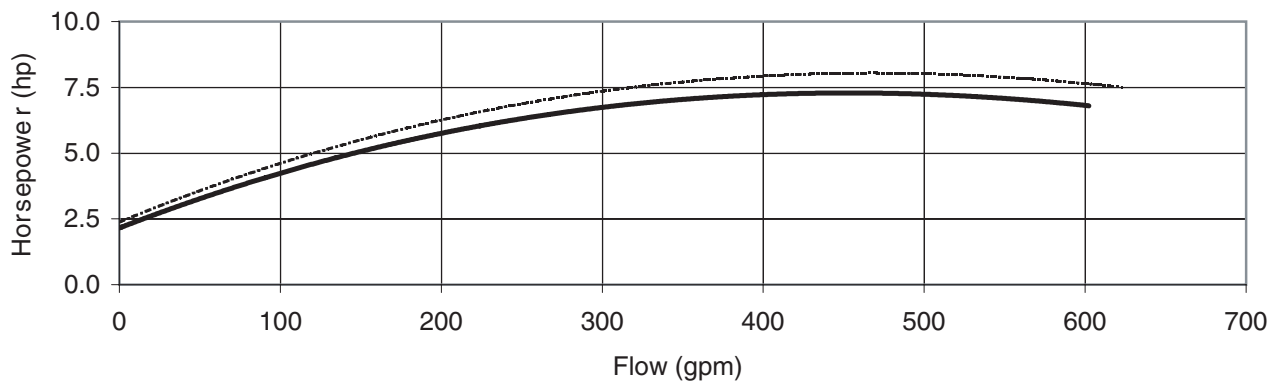
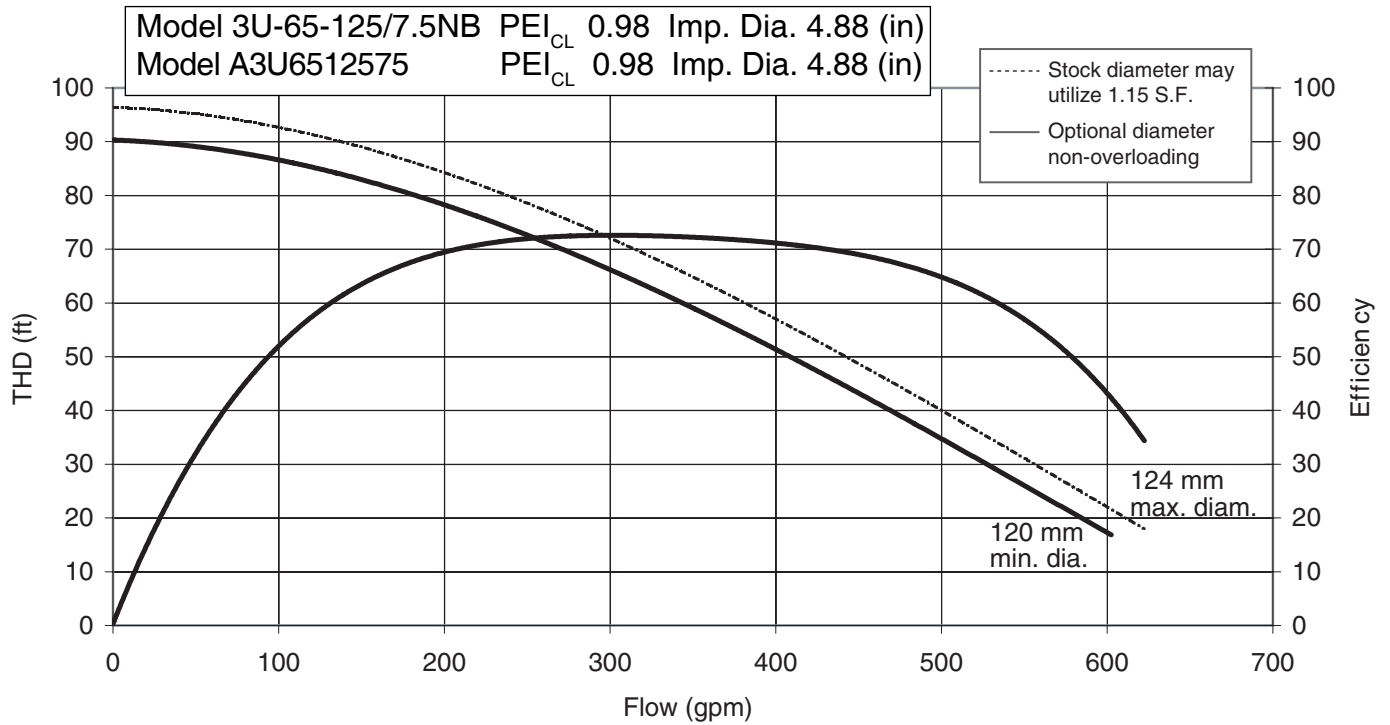
Size: 2 x 2½ x 6⅞



**3U 65-125-7.5HP**

**Nominal Speed: 3450 RPM**

**Size: 2½ x 3 x 4⅞ (124 mm)**

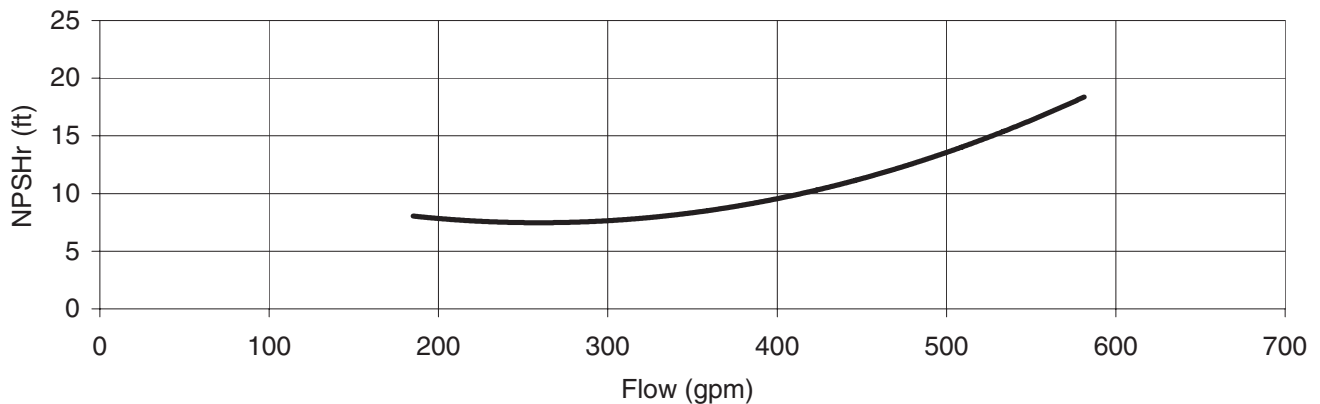
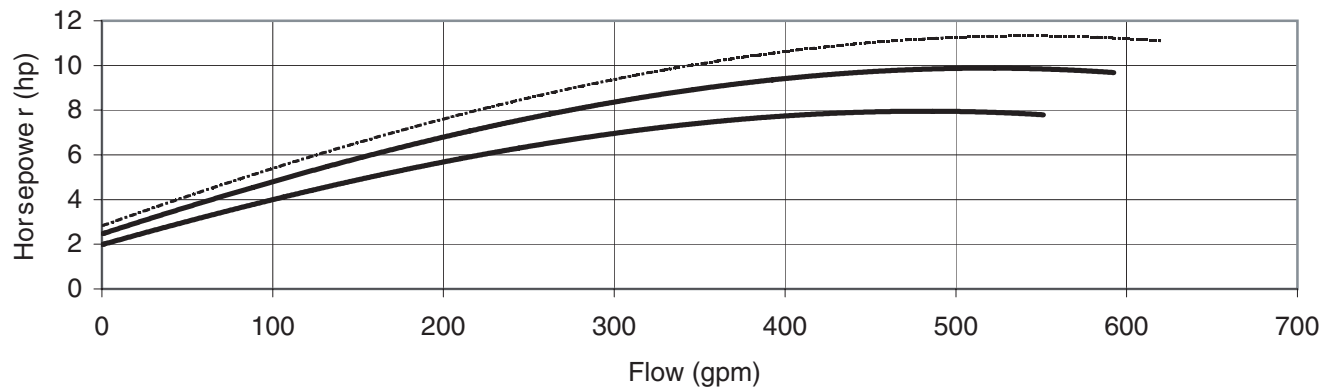
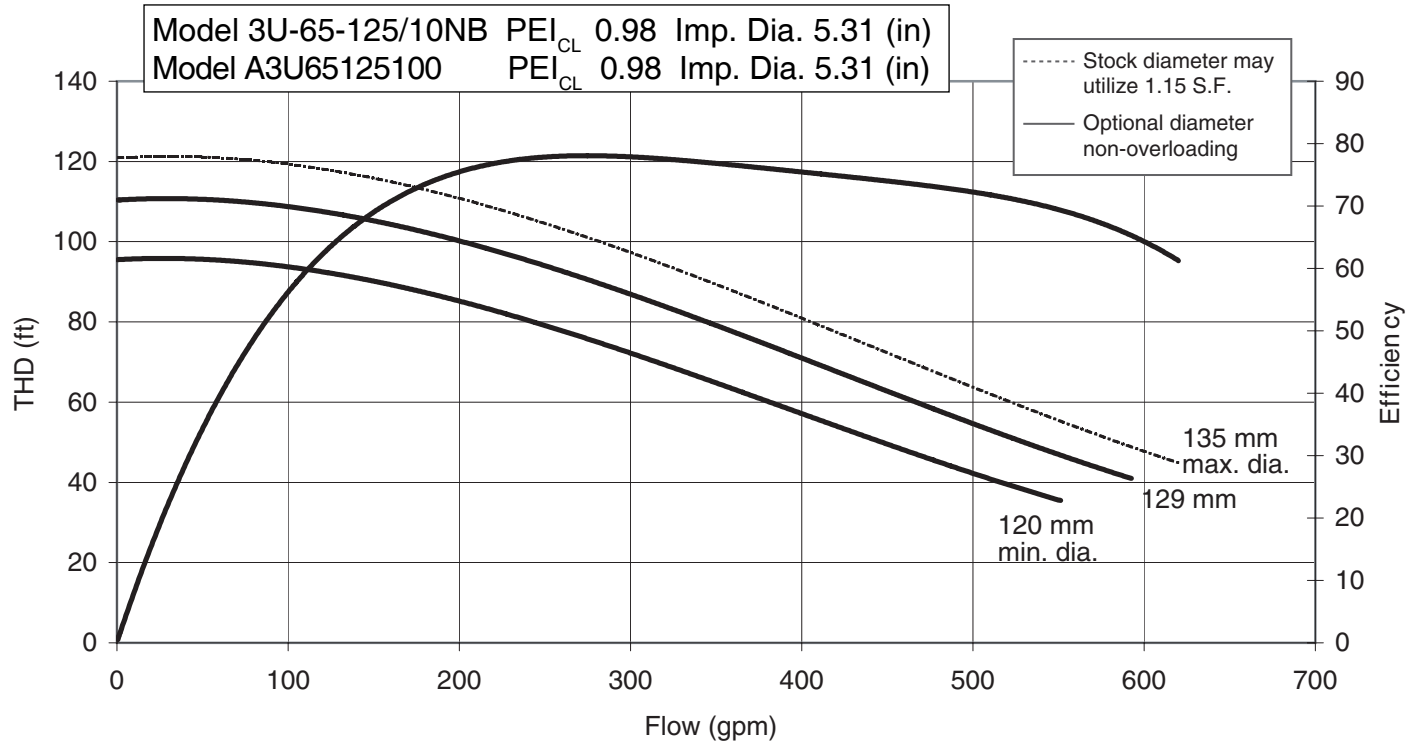


**Performance Curves**

**3U 65-125-10HP**

**Nominal Speed: 3450 RPM**

**Size: 2½ x 3 x 5<sup>5</sup>/<sub>16</sub> (135 mm)**



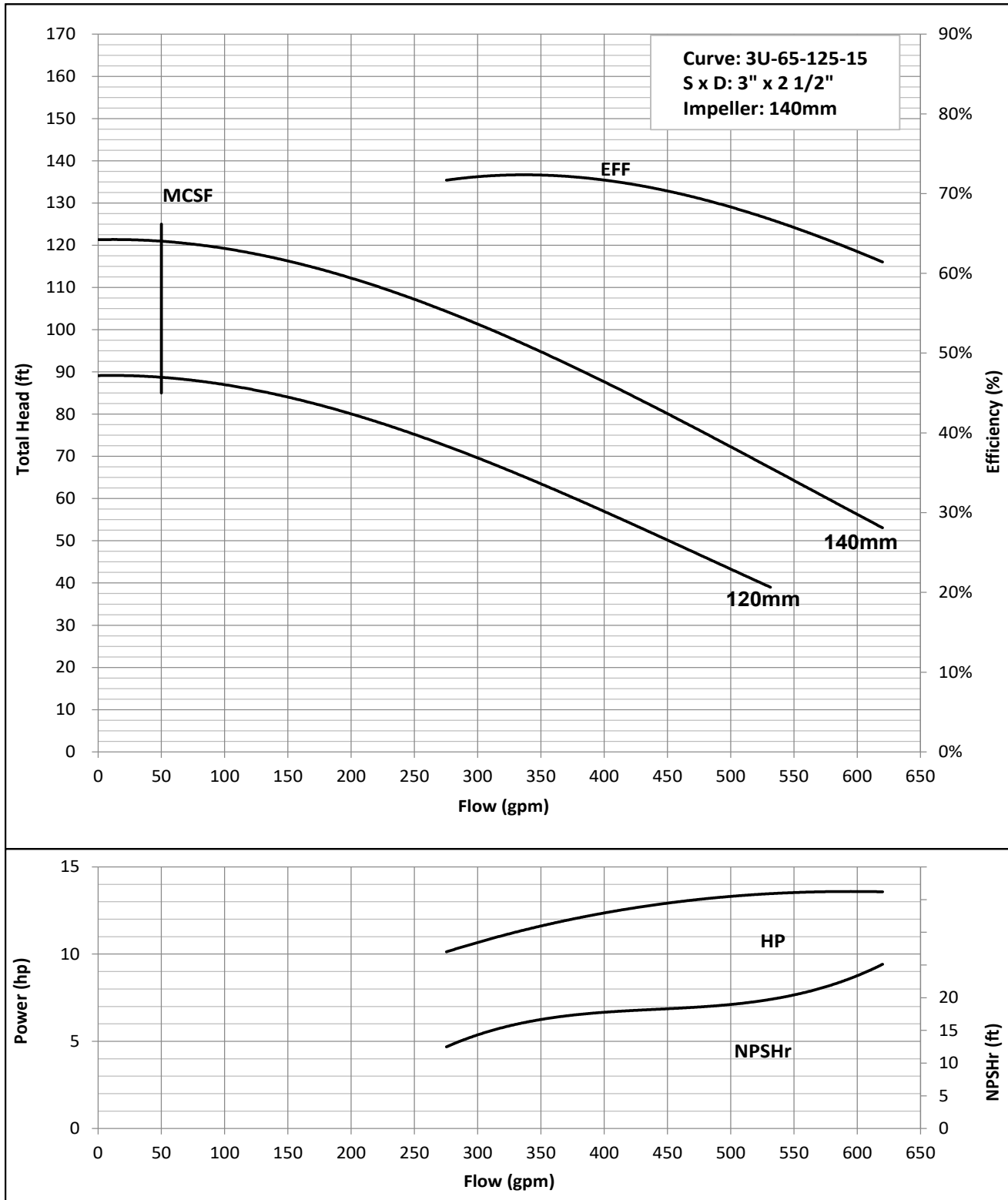
**Performance Curves**

**3U 65-125-15HP**

**Nominal Speed: 3450 RPM**

**Size: 2½ x 3 x 5½ (140 mm)**

Model 3U-65-125/15NB PEI<sub>CL</sub> 0.98 Imp. Dia. 5.51 (in)  
 Model A3U65125150 PEI<sub>CL</sub> 0.98 Imp. Dia. 5.51 (in)





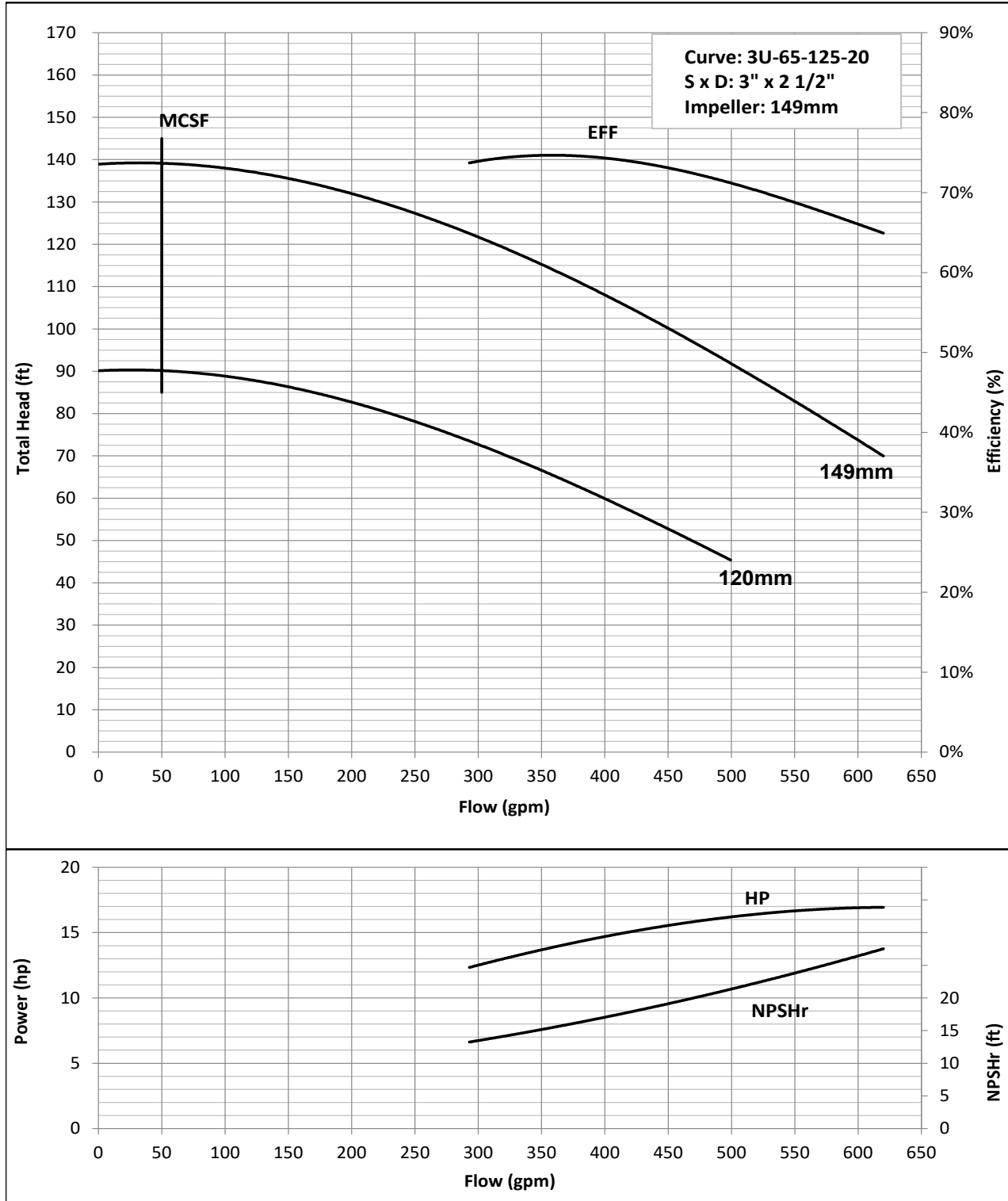
**Performance Curves**

**3U 65-125-20HP**

**Nominal Speed: 3450 RPM**

**Size: 2½ x 3 x 5⅞ (149 mm)**

Model 3U-65-125/20NB PEI<sub>CL</sub> 0.98 Imp. Dia. 5.87 (in)  
 Model A3U65125200 PEI<sub>CL</sub> 0.98 Imp. Dia. 5.87 (in)



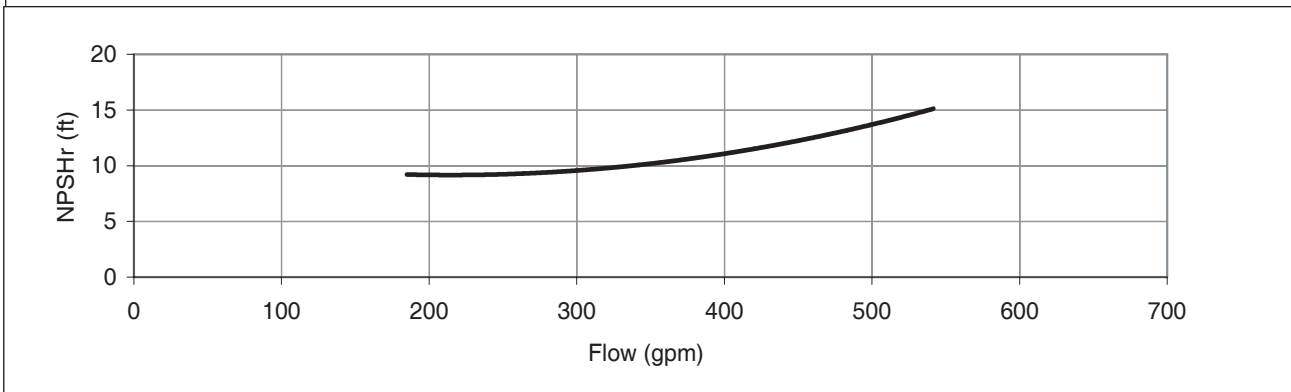
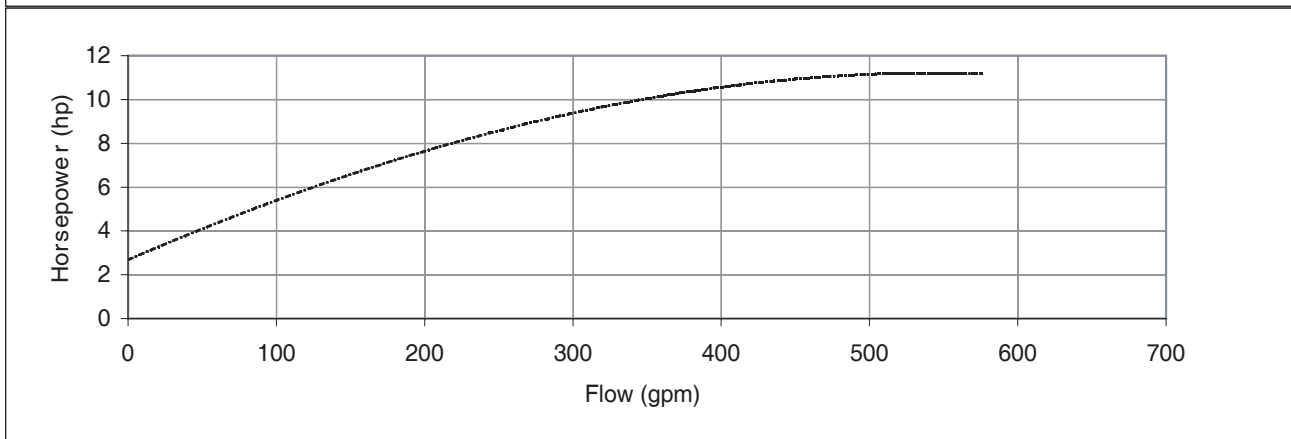
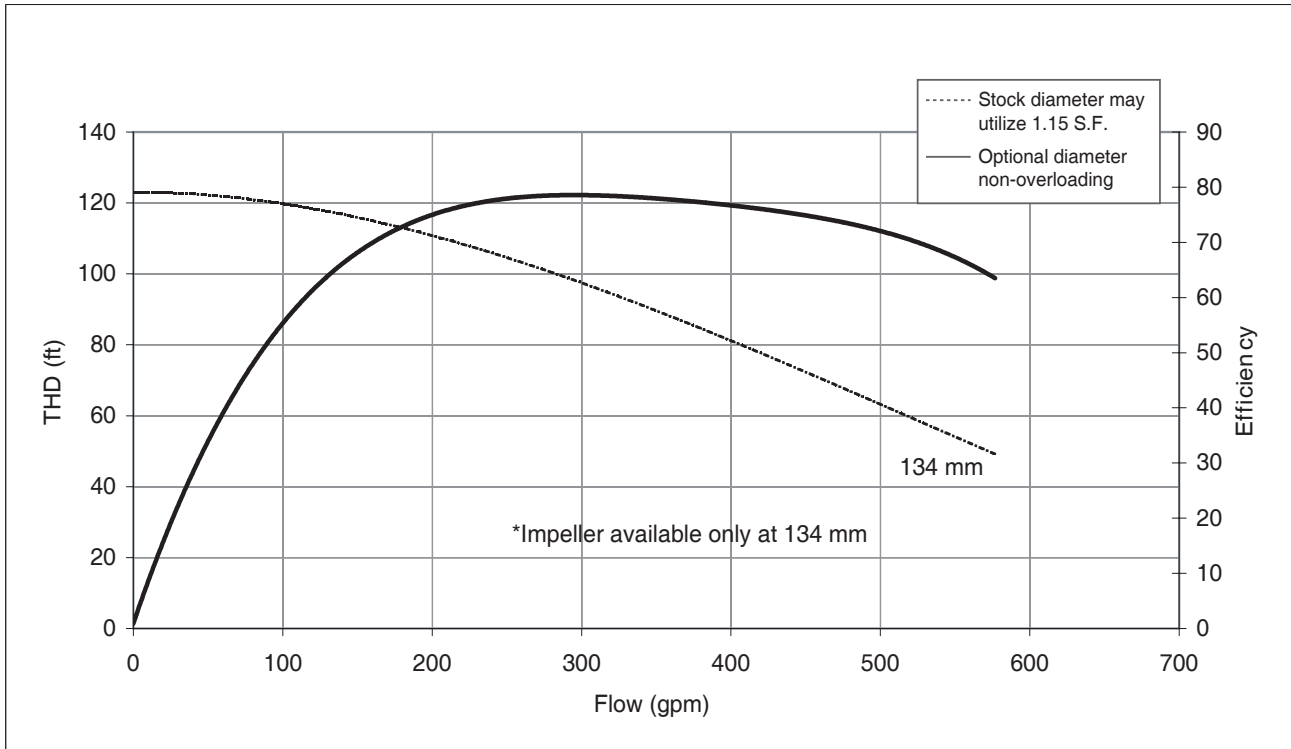
**Performance Curves**

**3U 65-160-10HP**

**Nominal Speed: 3450 RPM**

**Size: 2½ x 3 x 5¼ (134 mm)**

Model 3U-65-160/10NB PEI<sub>CL</sub> 0.99 Imp. Dia. 5.28 (in)  
 Model A3U65160100 PEI<sub>CL</sub> 0.99 Imp. Dia. 5.28 (in)



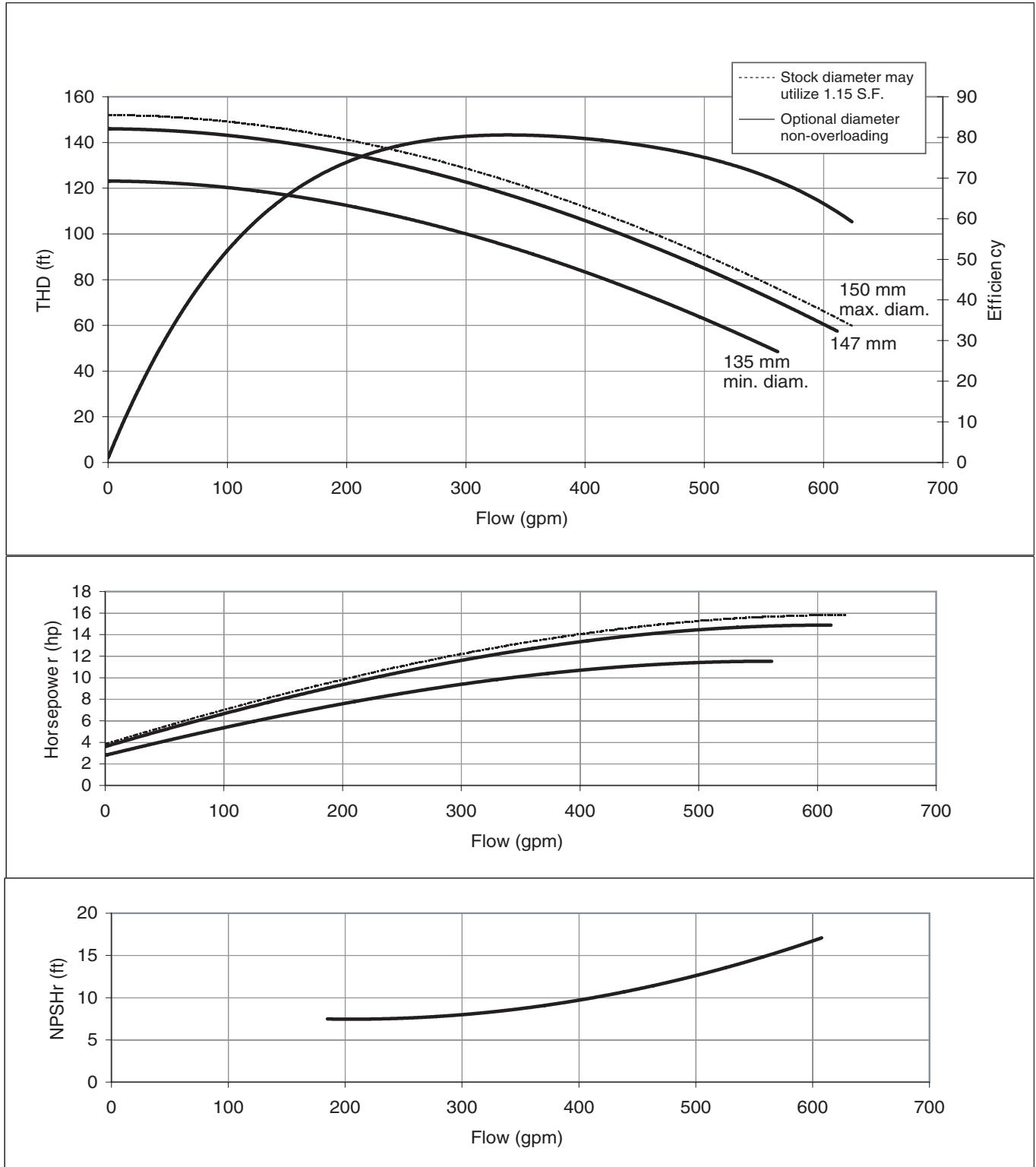
**Performance Curves**

**3U 65-160-15HP**

**Nominal Speed: 3450 RPM**

**Size: 2½ x 3 x 5<sup>13</sup>/<sub>16</sub> (148 mm)**

Model 3U-65-160/15NB PEI<sub>CL</sub> 0.99 Imp. Dia. 5.83 (in)  
 Model A3U65160150 PEI<sub>CL</sub> 0.99 Imp. Dia. 5.83 (in)

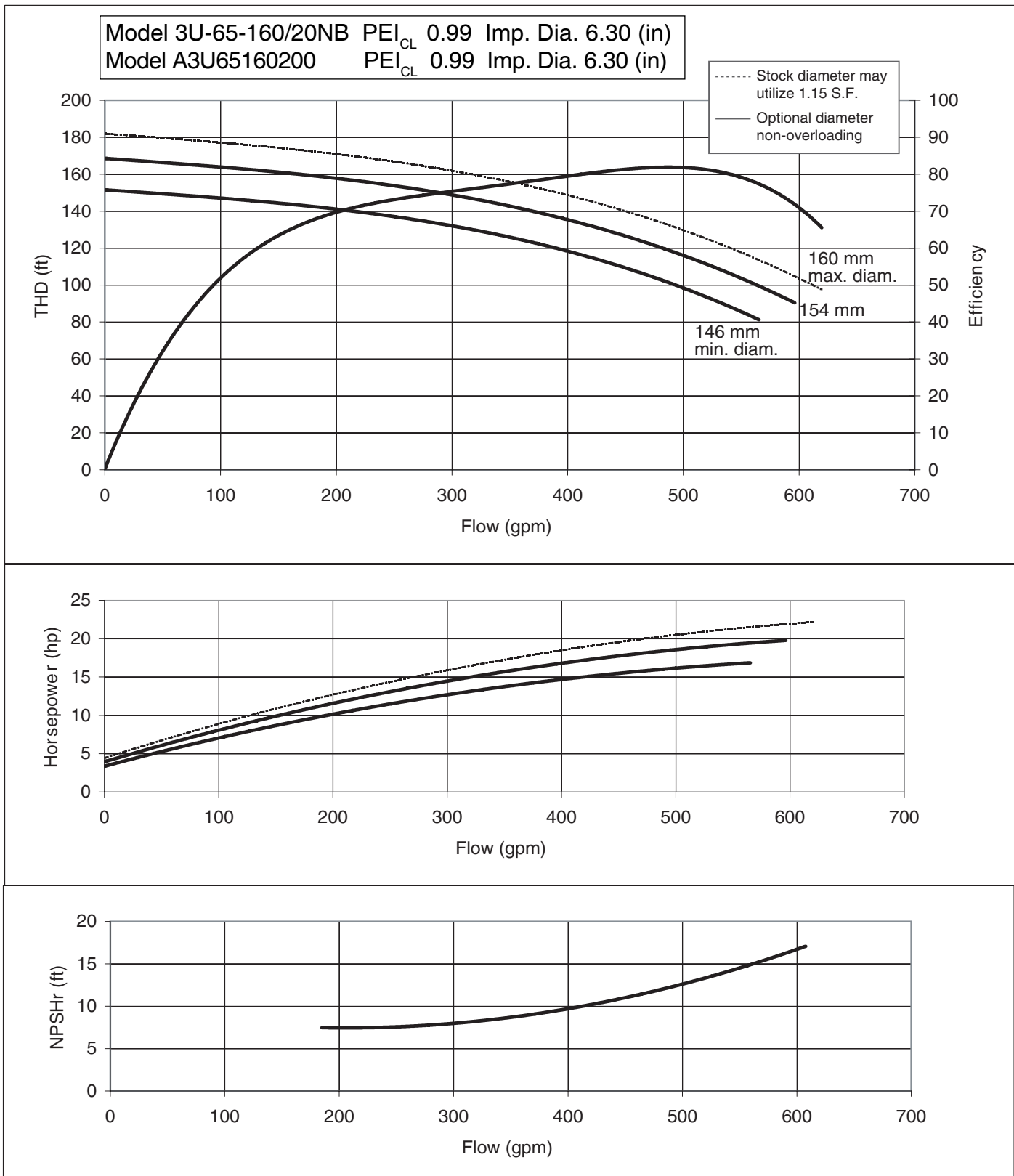


**Performance Curves**

**3U 65-160-20HP**

**Nominal Speed: 3450 RPM**

**Size: 2½ x 3 x 6<sup>5</sup>/<sub>16</sub> (160 mm)**

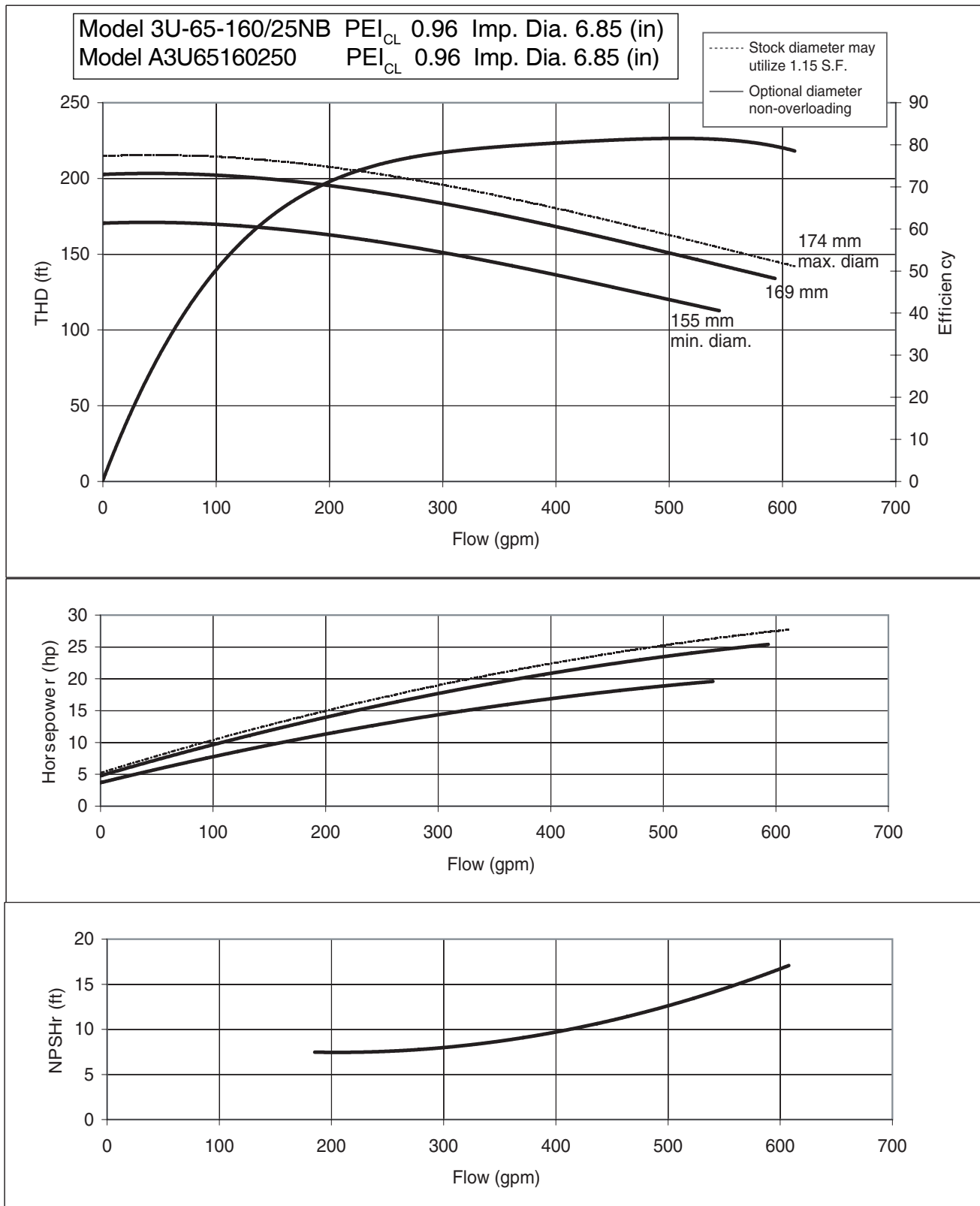


**Performance Curves**

**3U 65-160-25HP**

**Nominal Speed: 3450 RPM**

**Size: 2½ x 3 x 6⅞ (174 mm)**



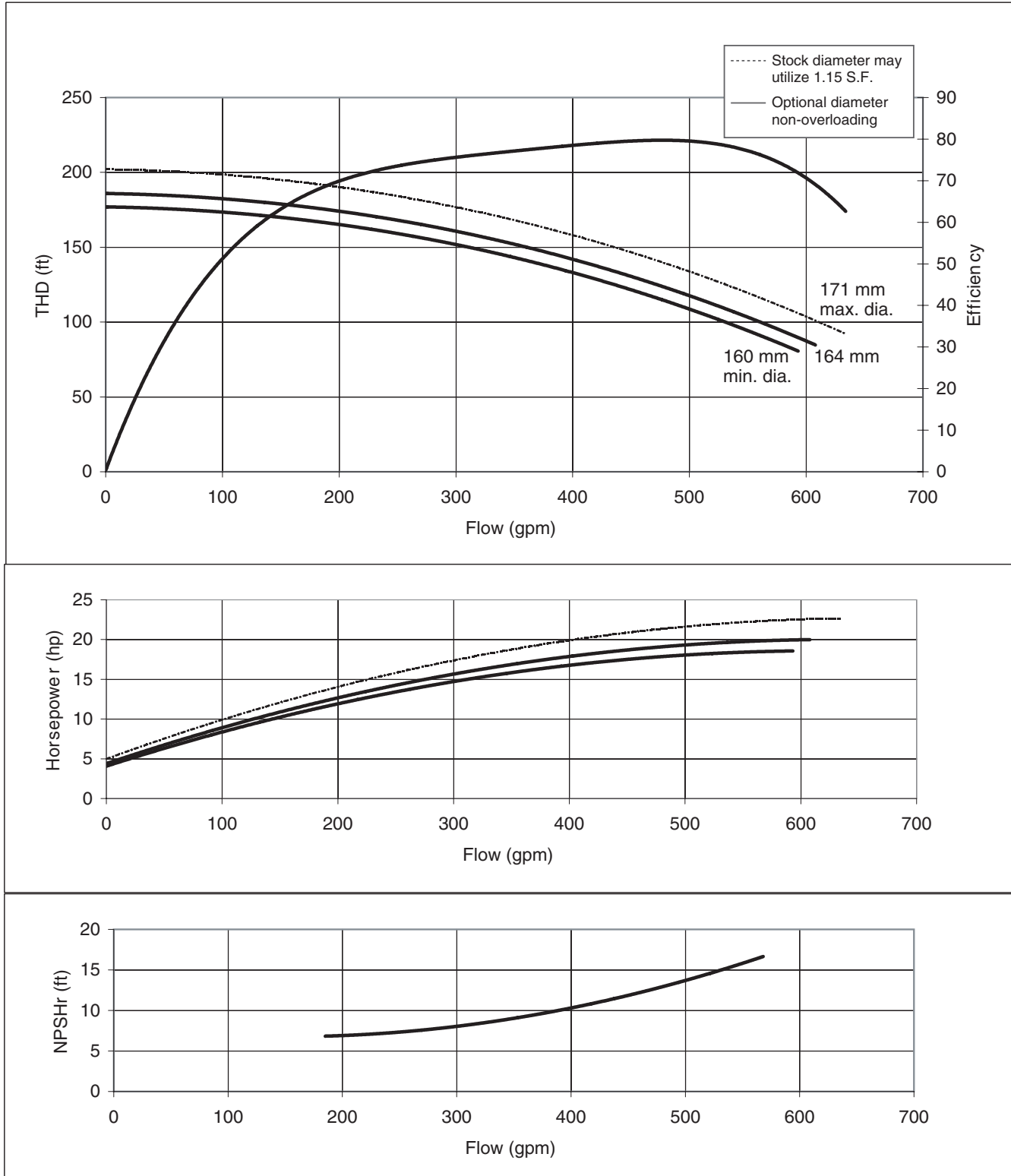
**Performance Curves**

**3U 65-200-20HP**

**Nominal Speed: 3450 RPM**

**Size: 2½ x 3 x 6¾ (171 mm)**

Model 3U-65-200/20NB PEI<sub>CL</sub> 0.97 Imp. Dia. 6.73 (in)  
 Model A3U65200200 PEI<sub>CL</sub> 0.97 Imp. Dia. 6.73 (in)

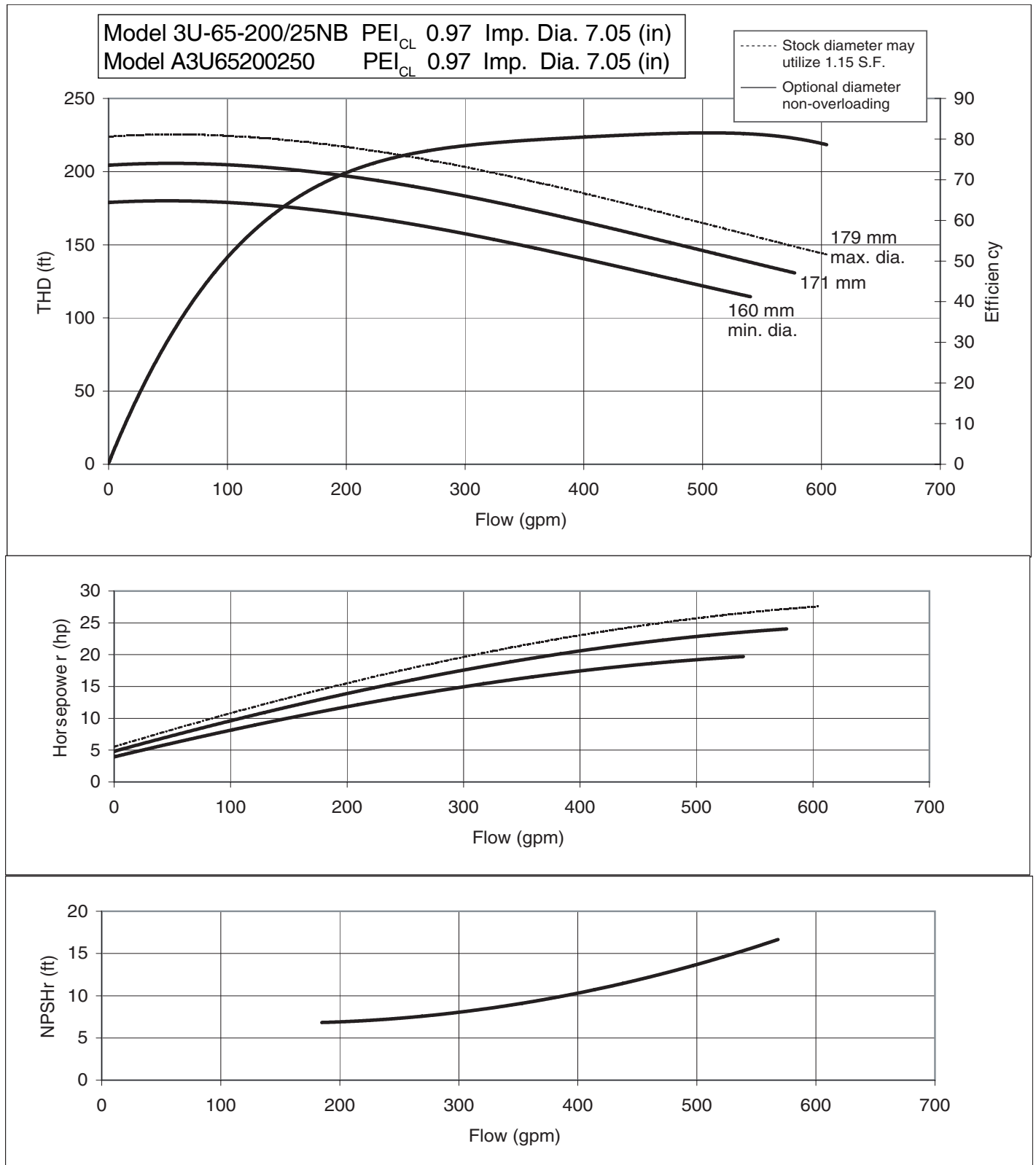


**Performance Curves**

**3U 65-200-25HP**

**Nominal Speed: 3450 RPM**

**Size: 2½ x 3 x 7½ (179 mm)**

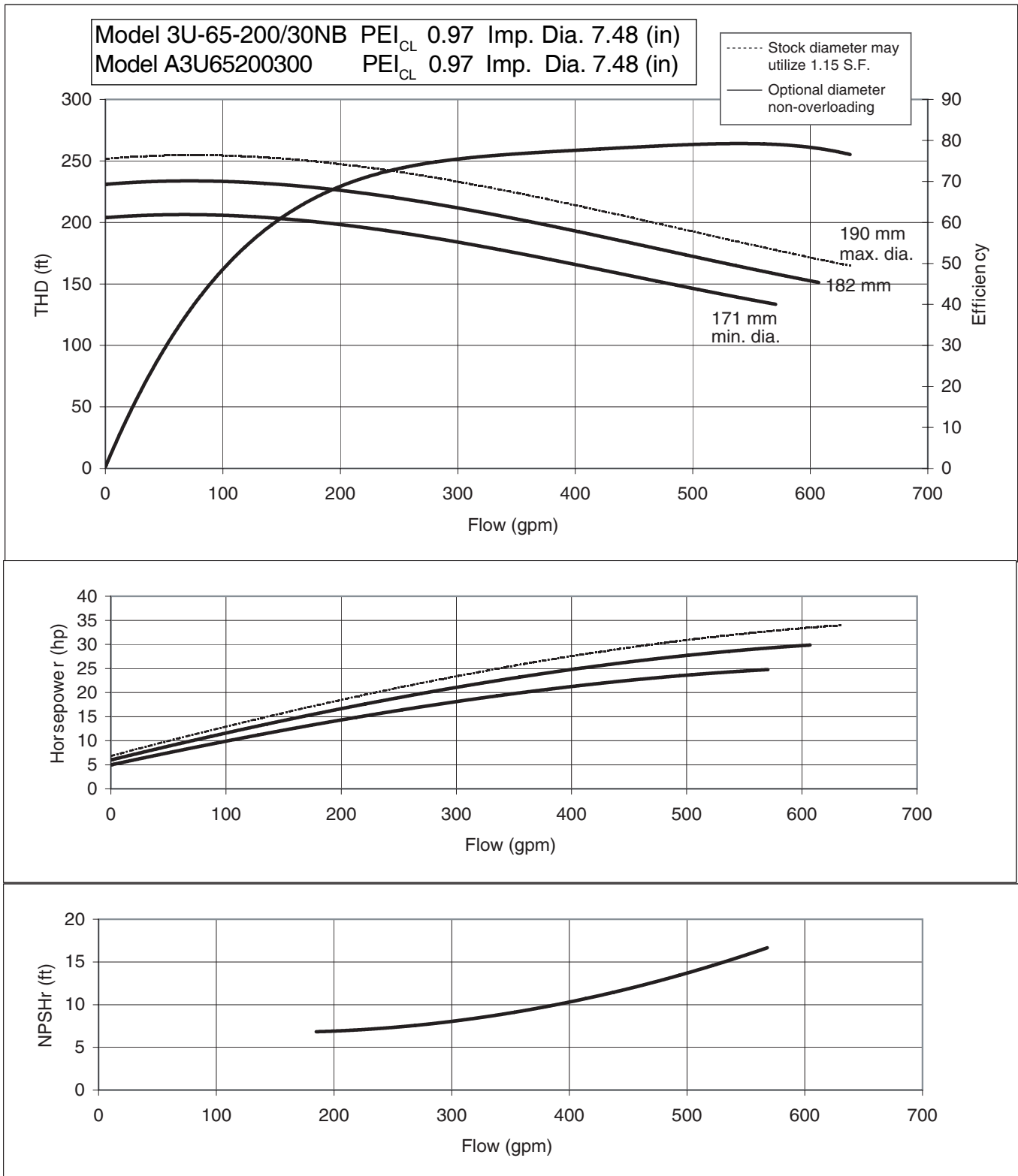


**Performance Curves**

**3U 65-200-30HP**

**Nominal Speed: 3450 RPM**

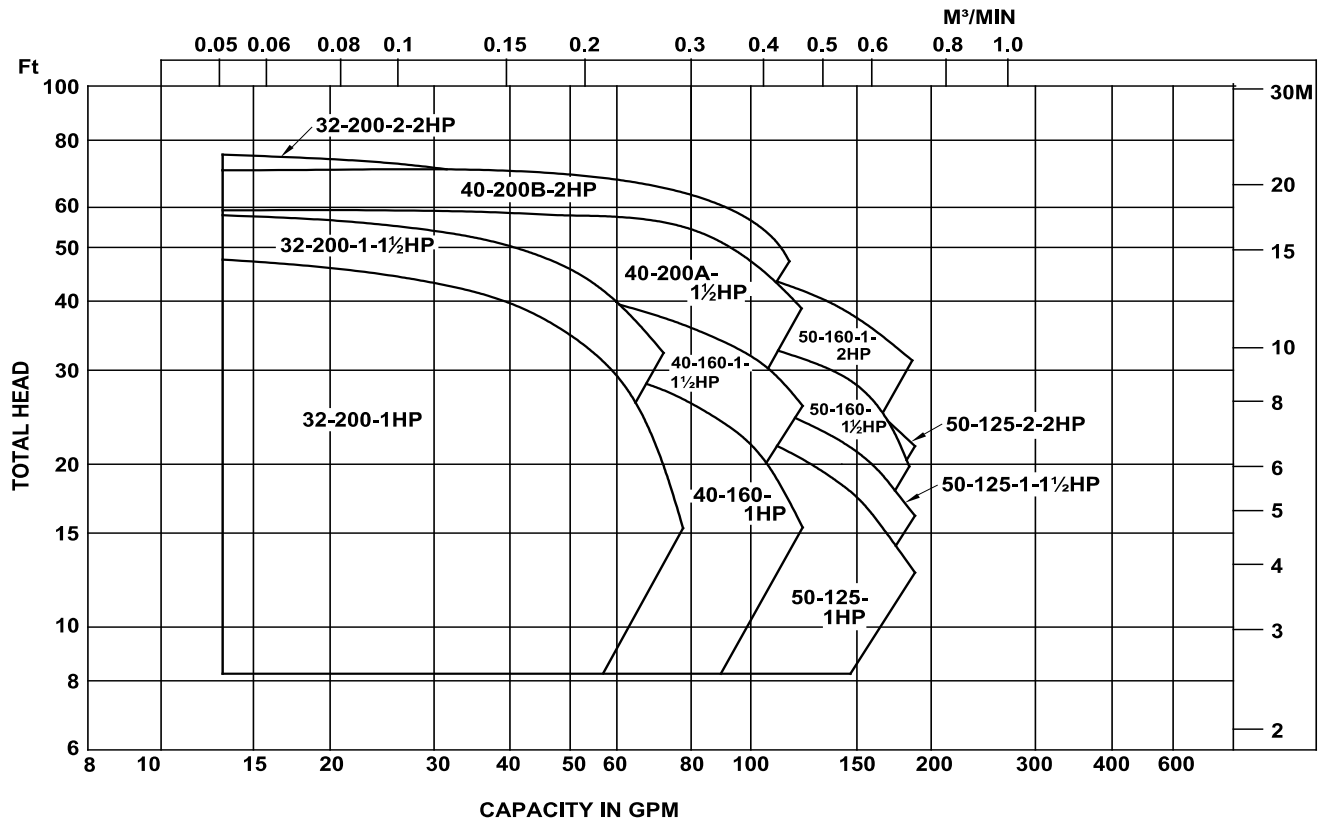
**Size: 2½ x 3 x 7½ (190 mm)**





Selection Chart

Nominal Speed 1725 PM



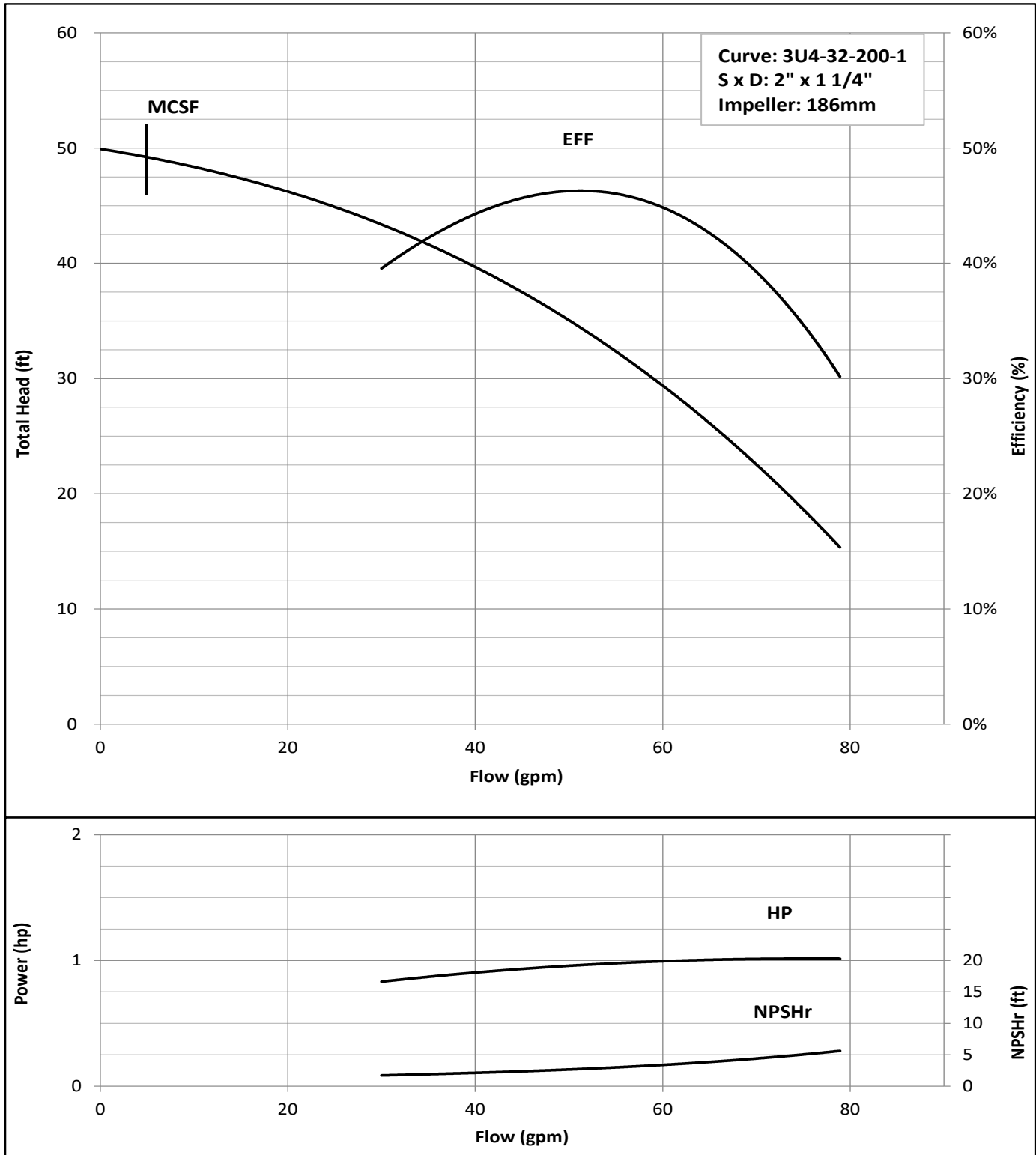
**Performance Curves**

**3U4 32-200-1HP**

**Nominal Speed: 1725 RPM**

**Size: 1¼ x 2 x 7<sup>5</sup>/<sub>16</sub>**

Model 3U4-32-200NB PEI<sub>CL</sub> 0.96 Imp. Dia. 7.32 (in)  
 Model A3U43220010 PEI<sub>CL</sub> 0.96 Imp. Dia. 7.32 (in)



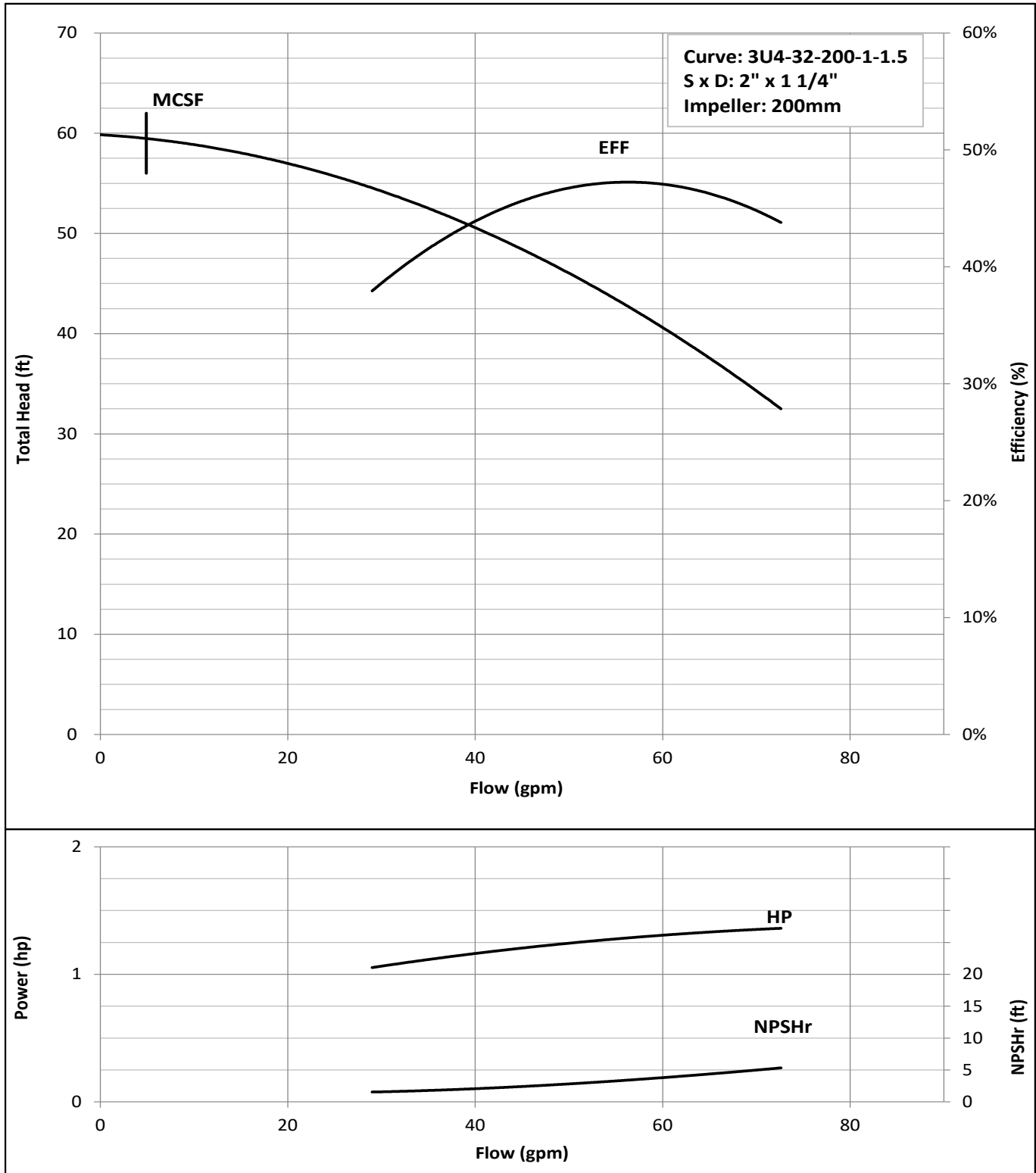
Performance Curves

3U4 32-200-1-1½HP

Nominal Speed: 1725 RPM

Size: 1¼ x 2 x 7⅞

Model 3U4-32-200-1NB PEI<sub>CL</sub> 0.96 Imp. Dia. 7.87 (in)  
 Model A3U432200115 PEI<sub>CL</sub> 0.96 Imp. Dia. 7.87 (in)



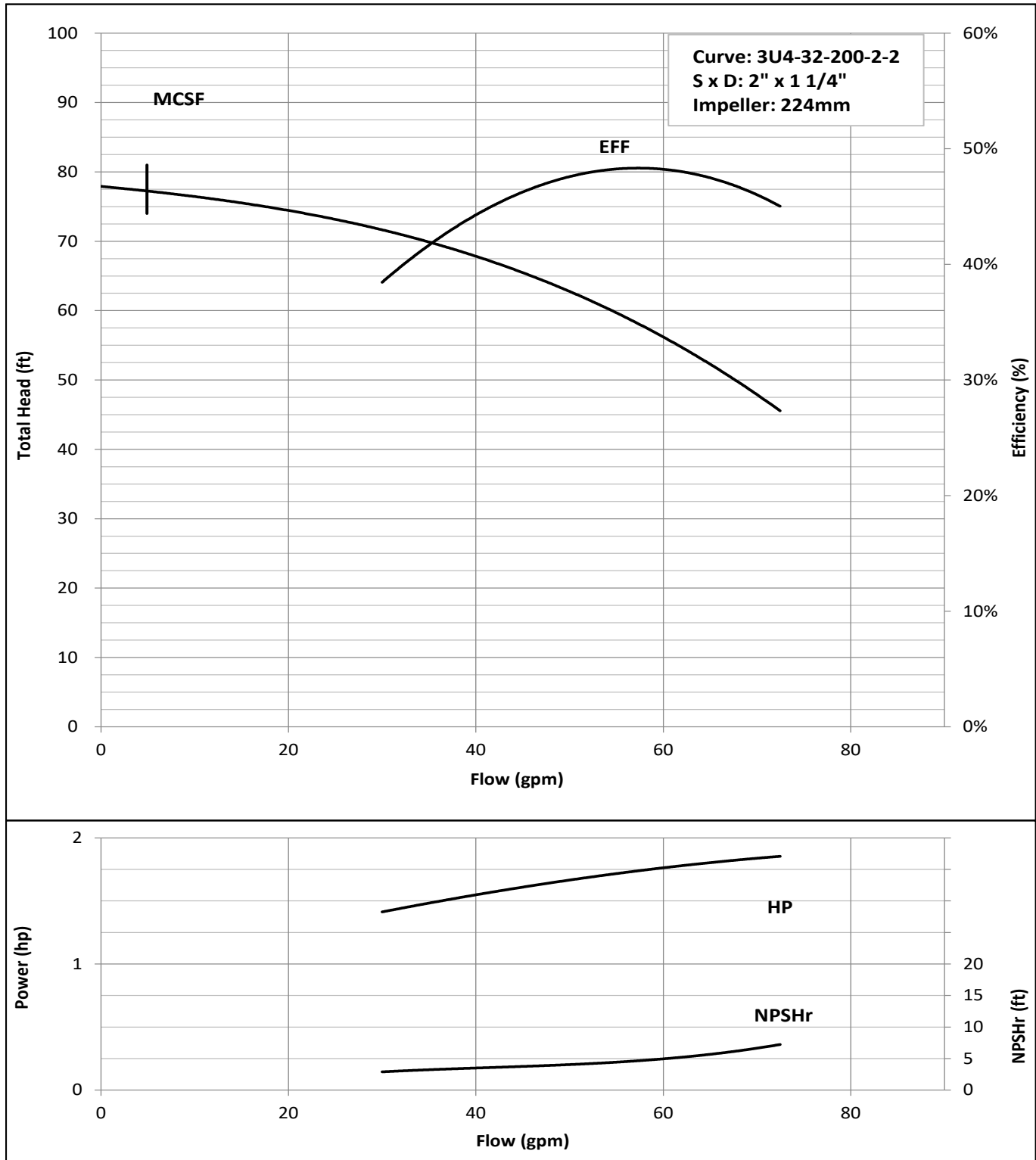
Performance Curves

3U4 32-200-2-2HP

Nominal Speed: 1725 RPM

Size: 1 1/4 x 2 x 8 13/16

Model 3U4-32-200-2NB PEI<sub>CL</sub> 0.96 Imp. Dia. 8.82 (in)  
 Model A3U432200220 PEI<sub>CL</sub> 0.96 Imp. Dia. 8.82 (in)



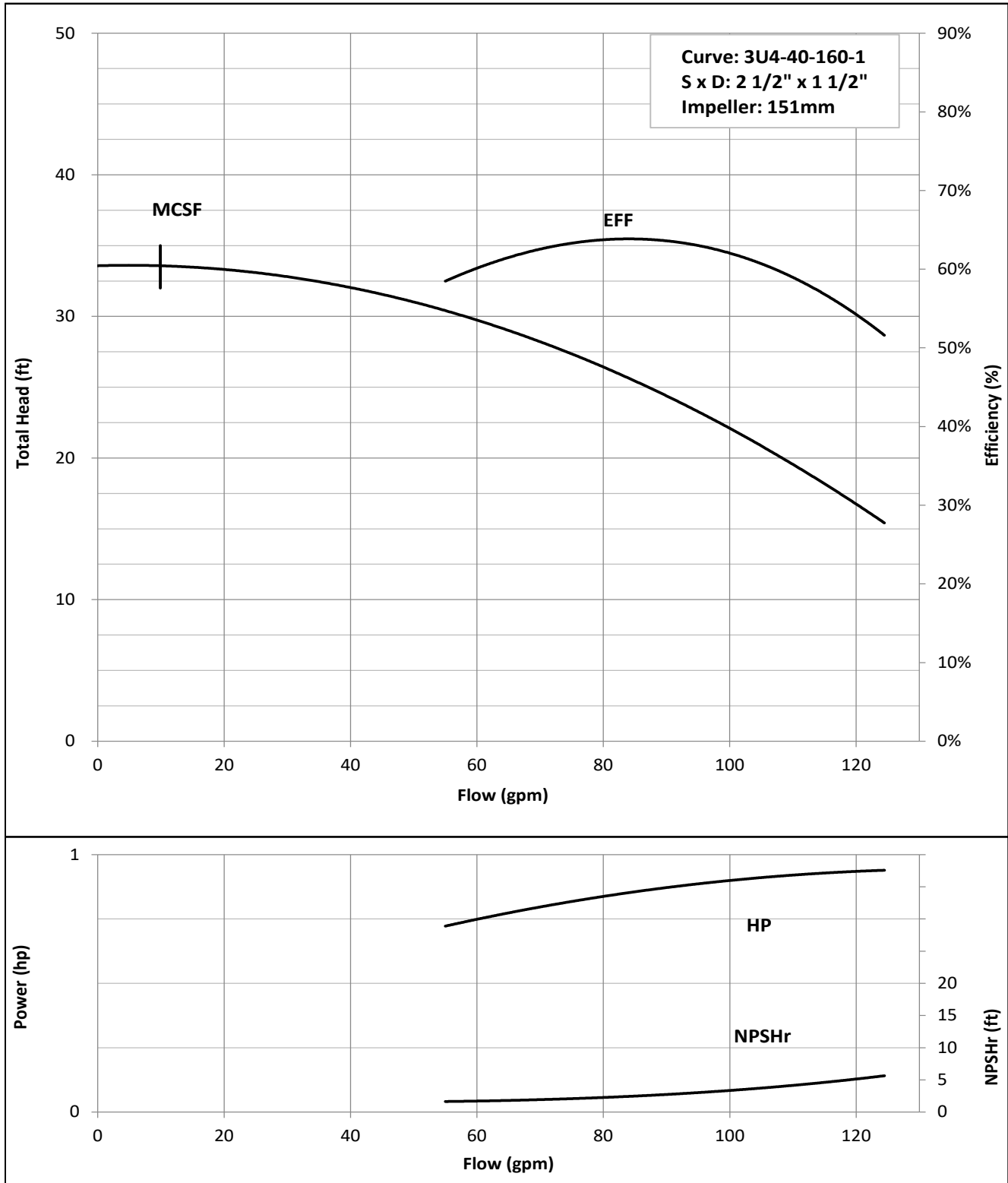
**Performance Curves**

**3U4 40-160-1HP**

**Nominal Speed: 1725 RPM**

**Size: 1½ x 2½ x 5<sup>15</sup>/<sub>16</sub>**

Model 3U4-40-160NB PEI<sub>CL</sub> 0.95 Imp. Dia. 5.94 (in)  
 Model A3U44016010 PEI<sub>CL</sub> 0.95 Imp. Dia. 5.94 (in)



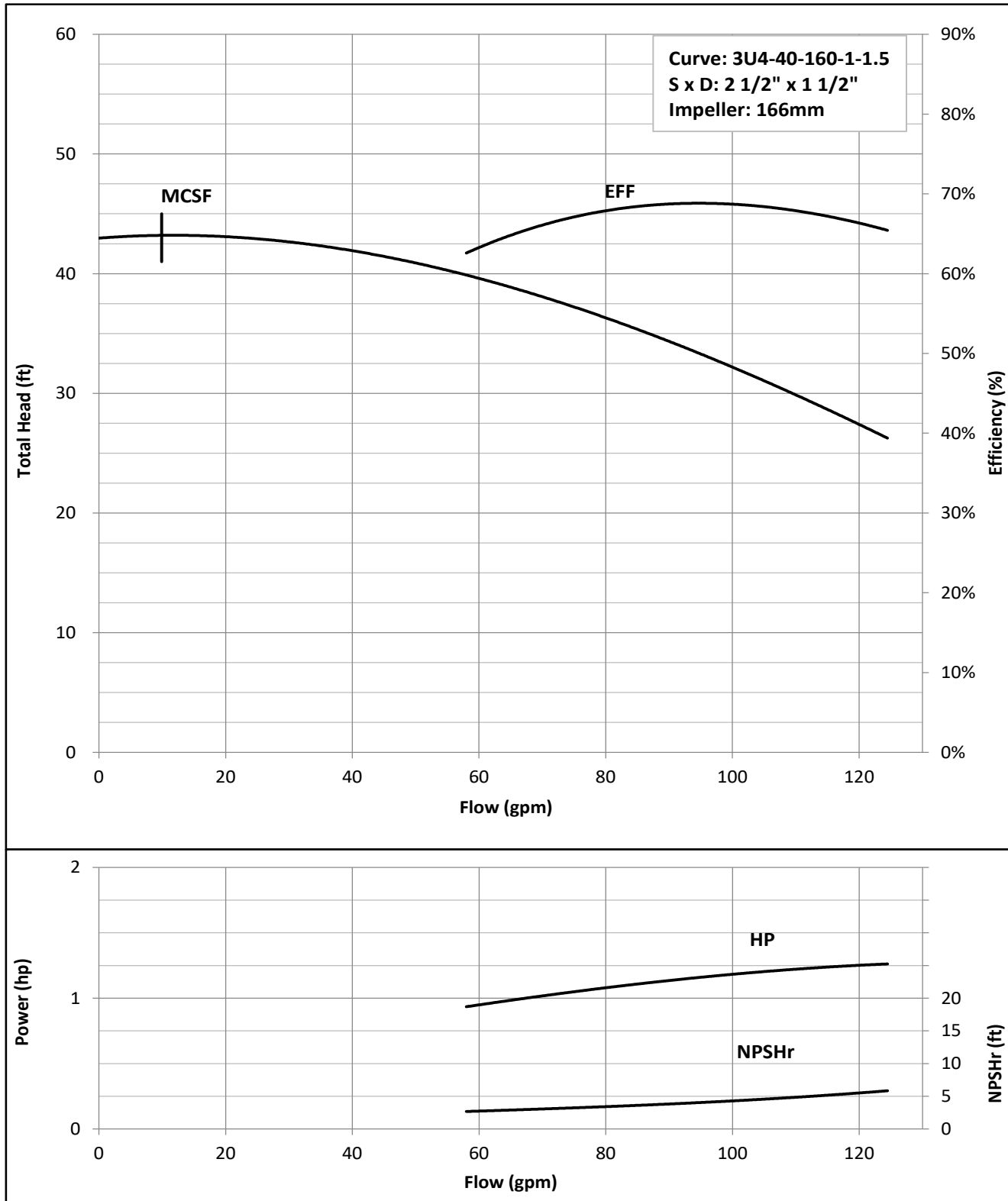
**Performance Curves**

**3U4 40-160-1-1½HP**

**Nominal Speed: 1725 RPM**

**Size: 1½ x 2½ x 6½**

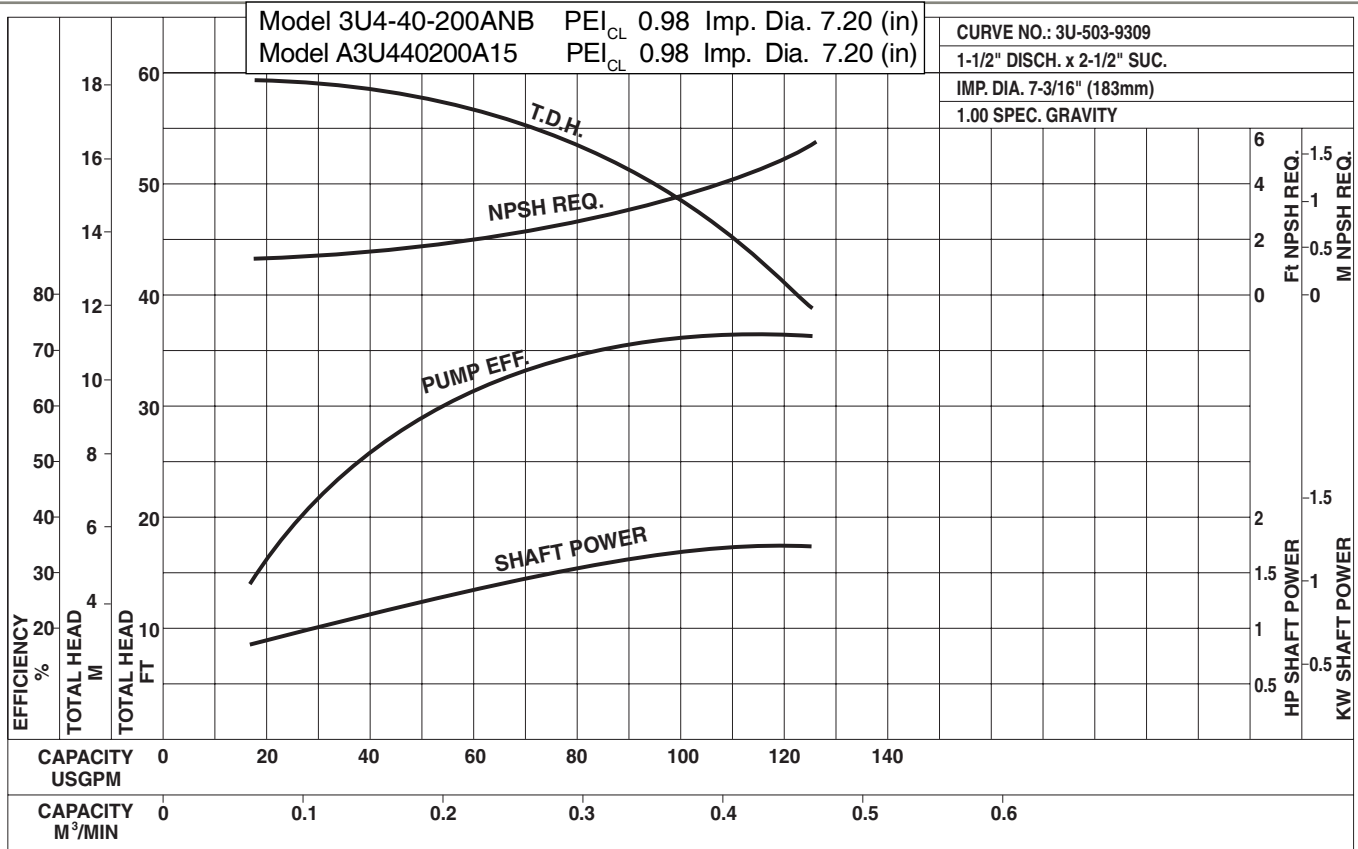
Model 3U4-40-160-1NB PEI<sub>CL</sub> 0.95 Imp. Dia. 6.54 (in)  
 Model A3U440160115 PEI<sub>CL</sub> 0.95 Imp. Dia. 6.54 (in)



**3U4 40-200A-1½HP**

**Nominal Speed: 1725 RPM**

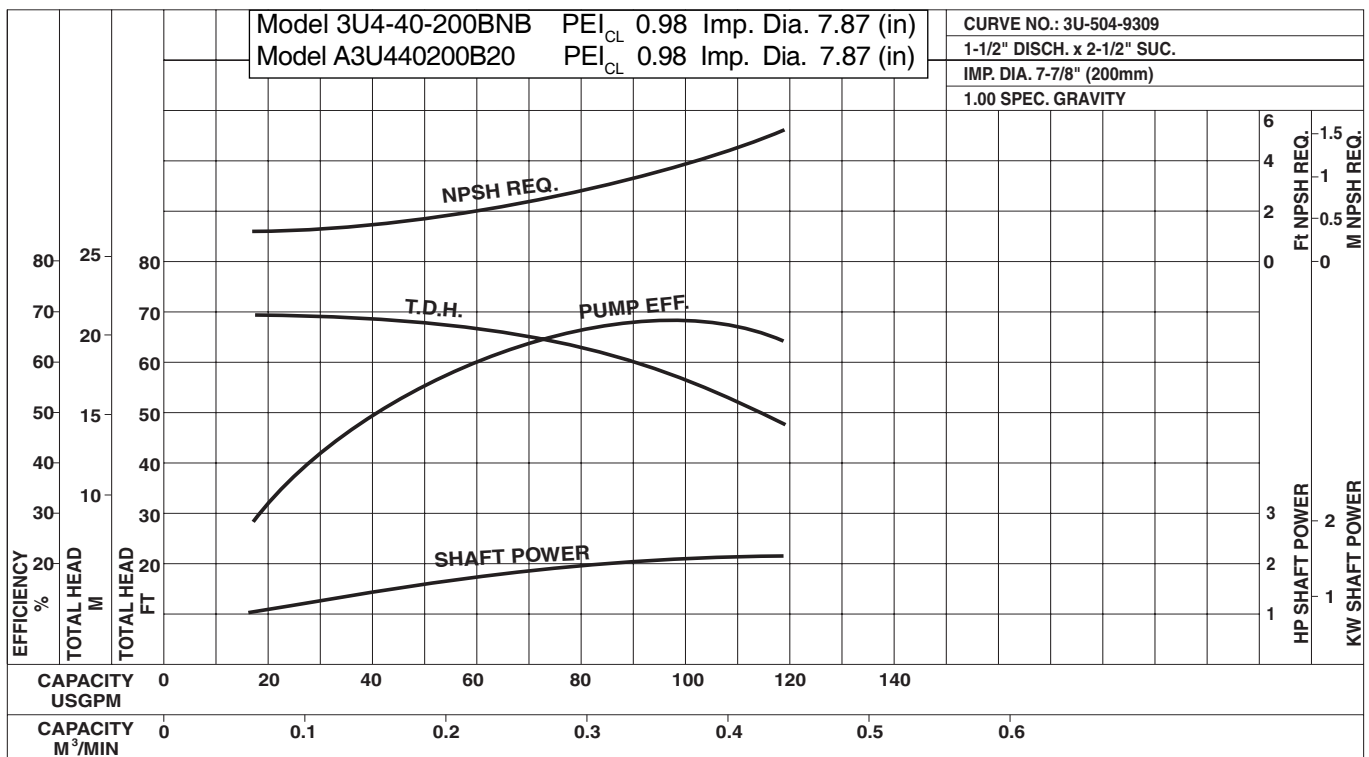
**Size: 1½ x 2½ x 7¾**



**3U4 40-200B-2HP**

**Nominal Speed: 1725 RPM**

**Size: 1½ x 2½ x 7¾**



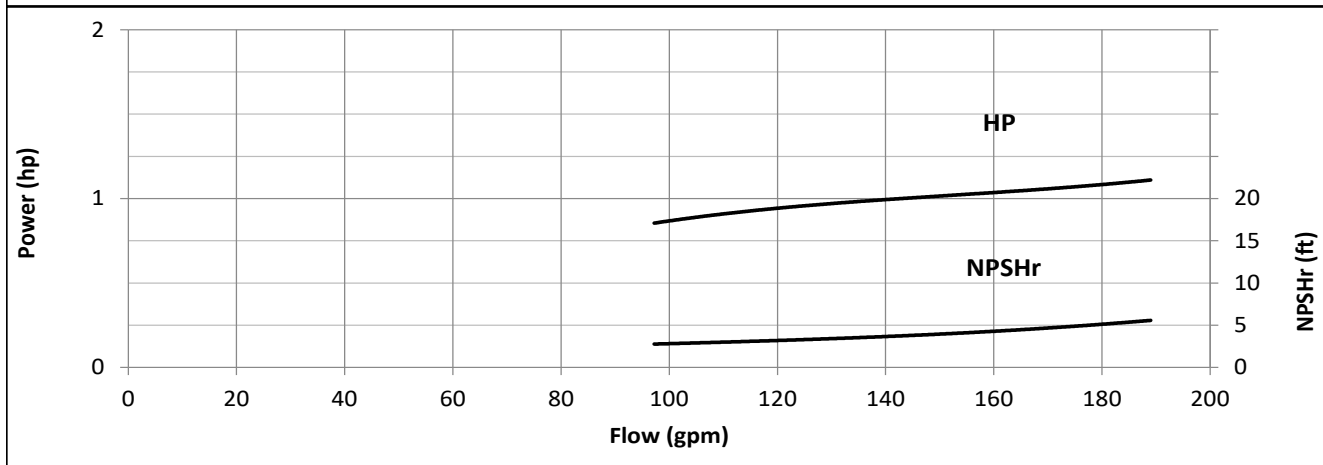
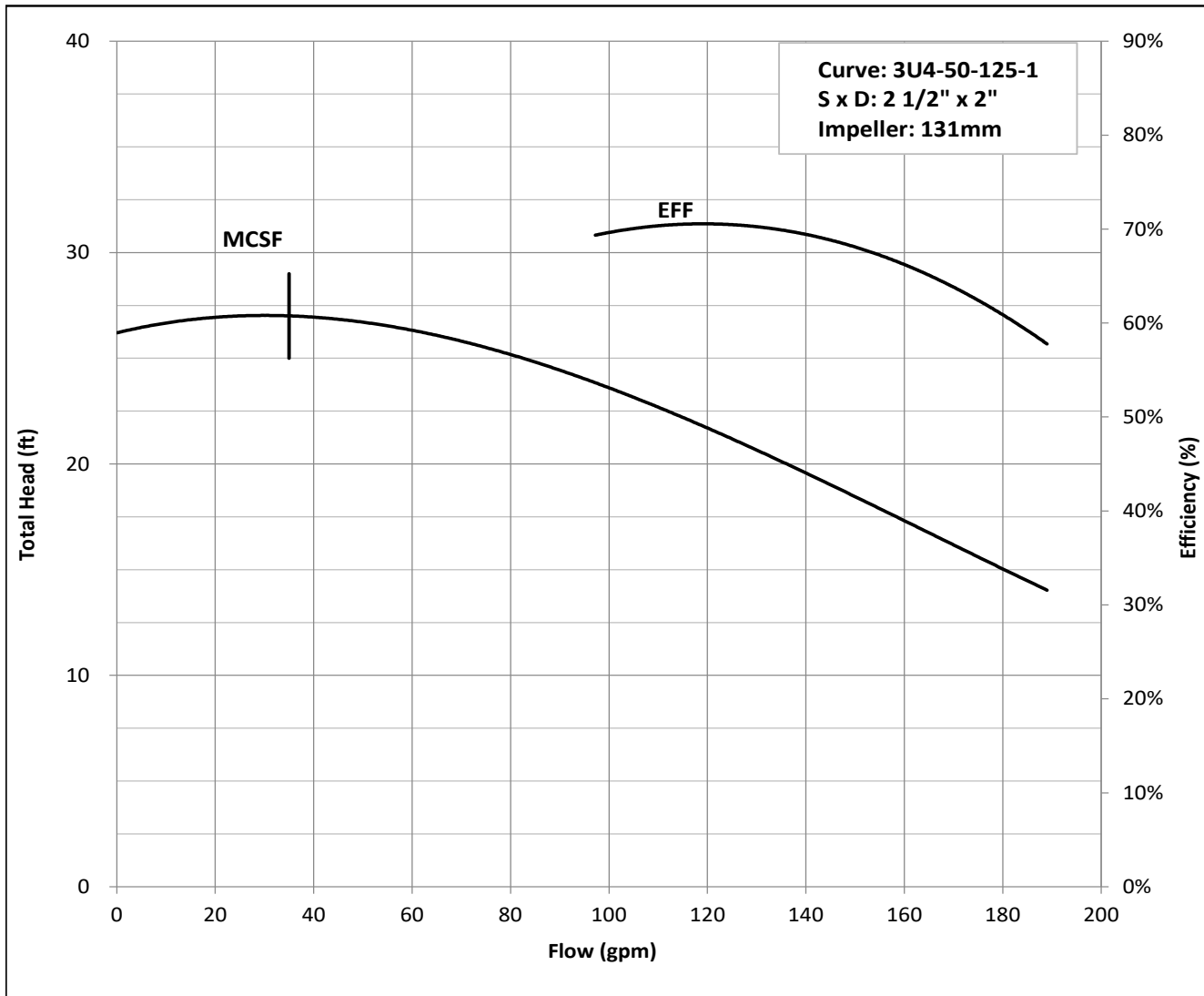
**Performance Curves**

**3U4 50-125-1HP**

**Nominal Speed: 1725 RPM**

**Size: 2 x 2½ x 5³⁄₁₆**

Model 3U4-50-125NB	PEI <sub>CL</sub>	0.99	Imp. Dia. 5.16 (in)
Model A3U45012510	PEI <sub>CL</sub>	0.99	Imp. Dia. 5.16 (in)





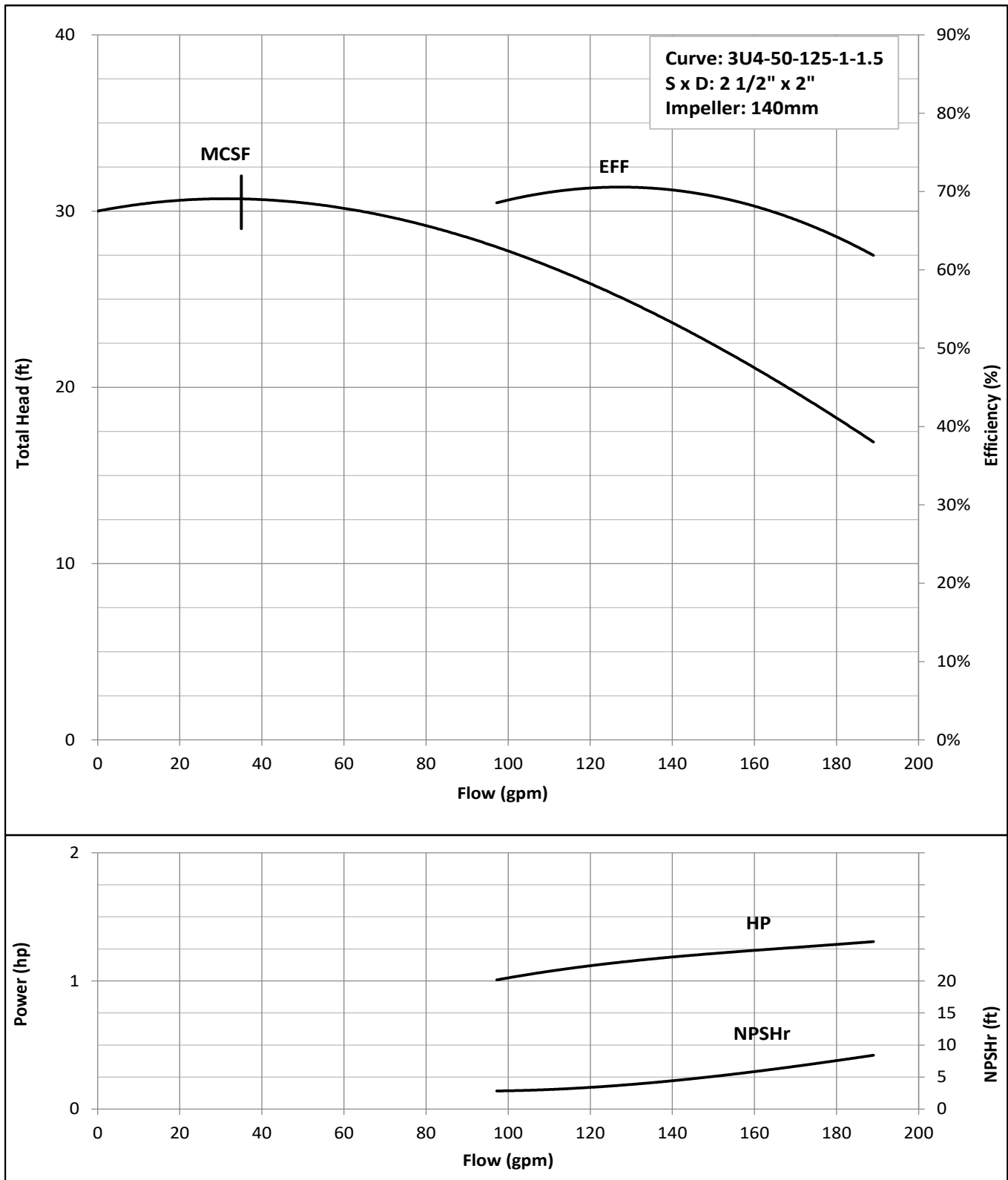
Performance Curves

3U4 50-125-1-1½HP

Nominal Speed: 1725 RPM

Size: 2 x 2½ x 5½

Model 3U4-50-125-1NB	PEI <sub>CL</sub> 0.99	Imp. Dia. 5.51 (in)
Model A3U450125115	PEI <sub>CL</sub> 0.99	Imp. Dia. 5.51 (in)



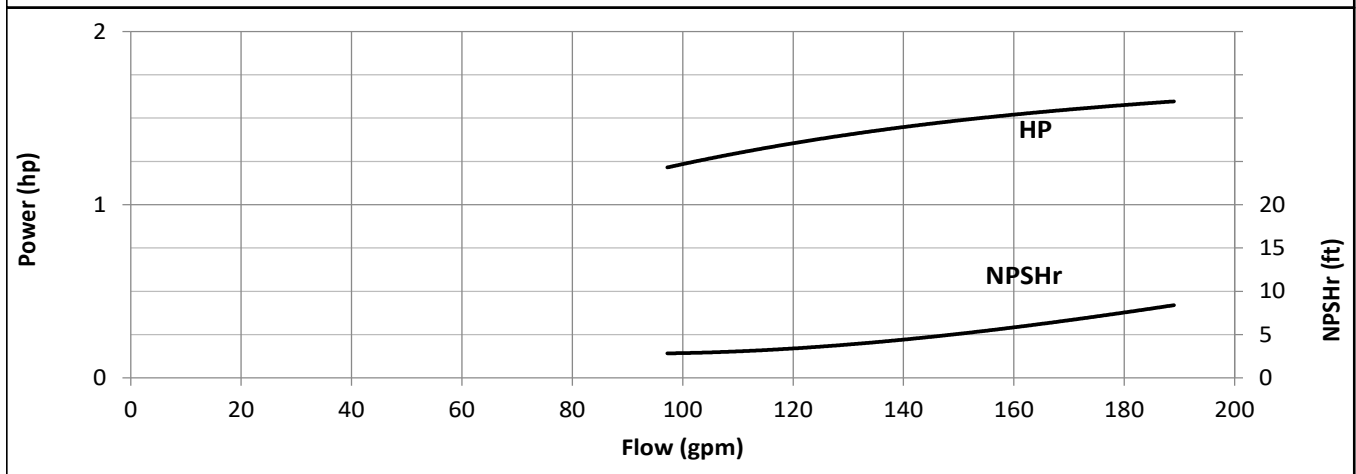
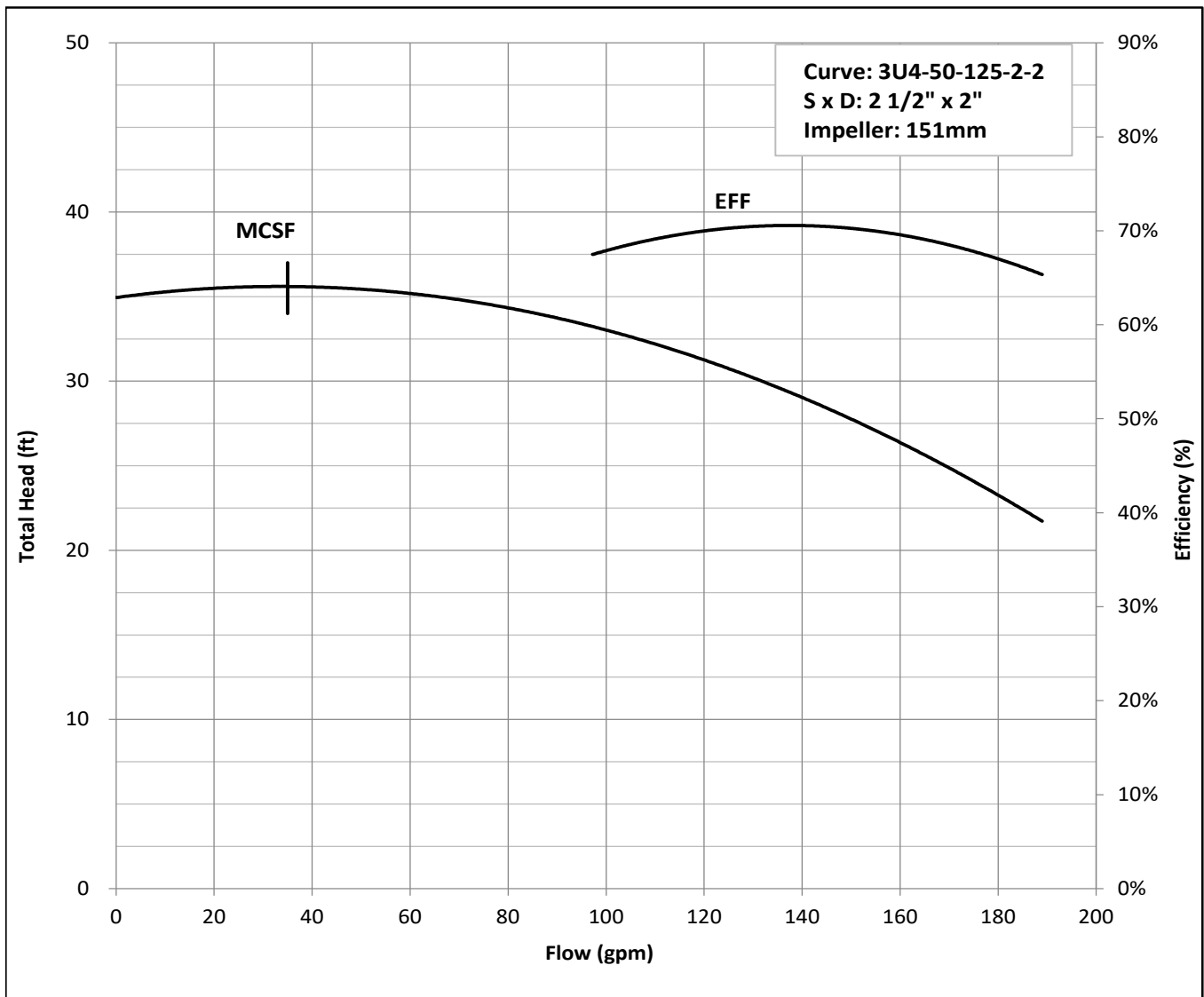
Performance Curves

3U4 50-125-2-2HP

Nominal Speed: 1725 RPM

Size: 2 x 2 1/2 x 5 15/16

Model 3U4-50-125-2NB	PEI <sub>CL</sub> 0.99	Imp. Dia. 5.94 (in)
Model A3U450125220	PEI <sub>CL</sub> 0.99	Imp. Dia. 5.94 (in)

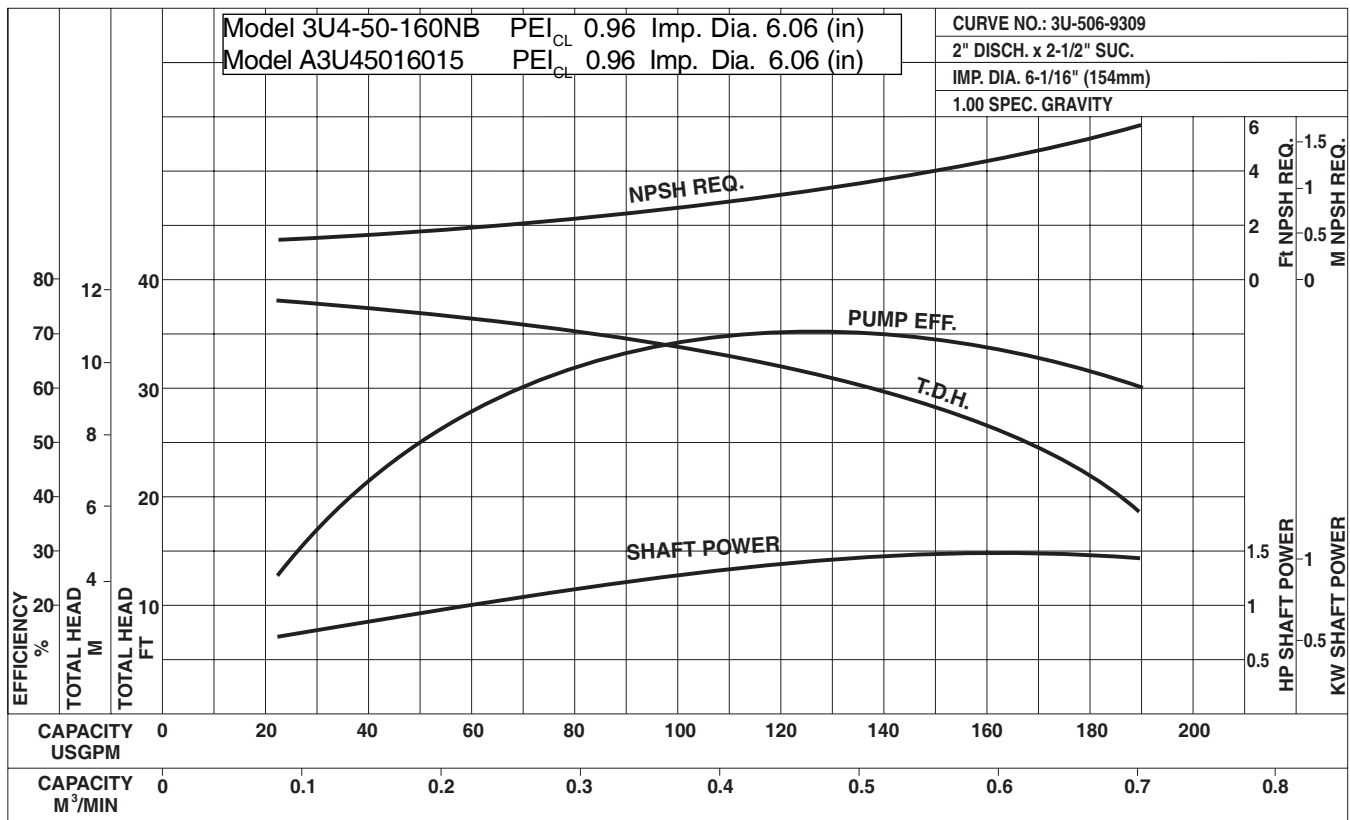


Performance Curves

3U4 50-160-1½HP

Nominal Speed: 1725 RPM

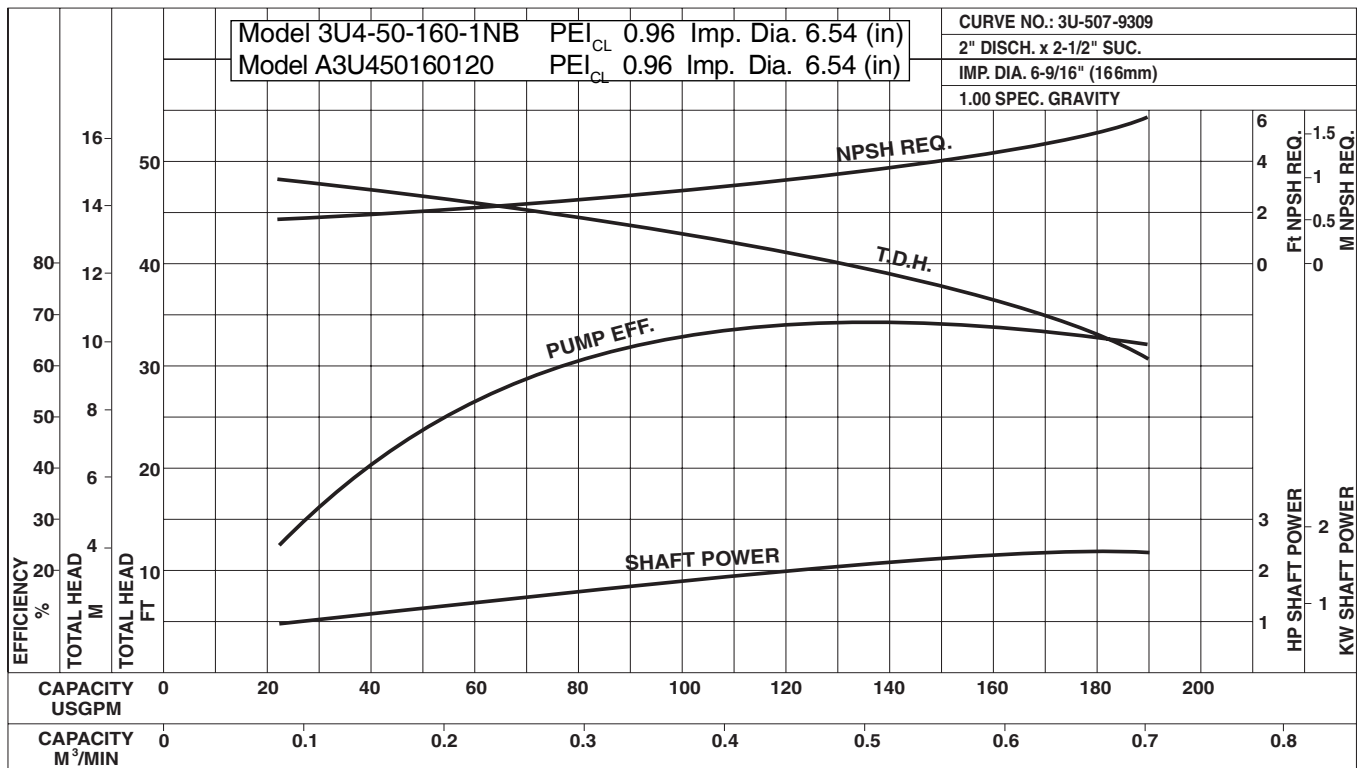
Size: 2 x 2½ x 6¼



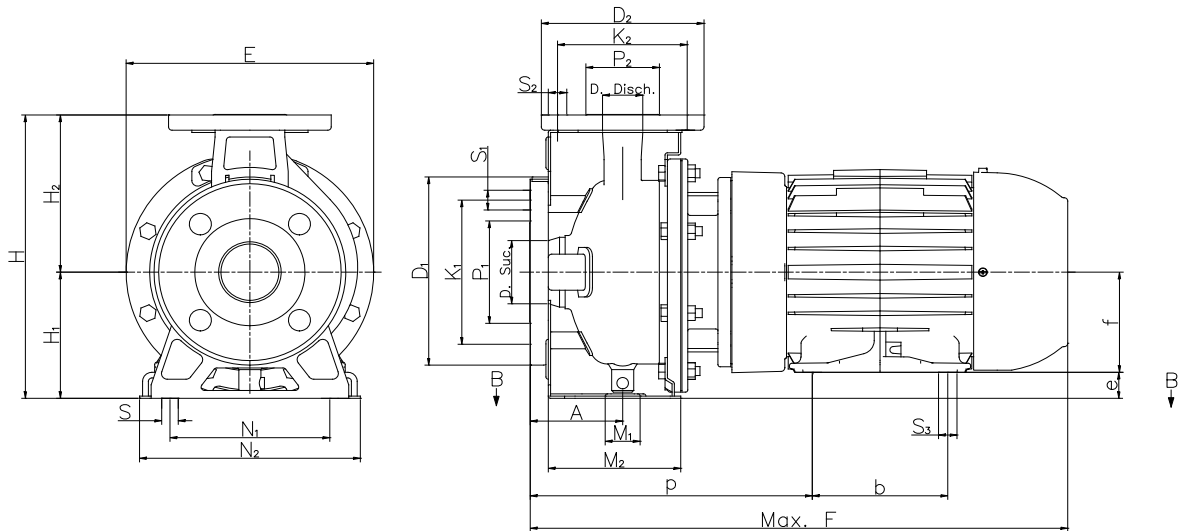
3U4 50-160-1-2HP

Nominal Speed: 1725 RPM

Size: 2 x 2½ x 6¼



**Pump Dimensions**



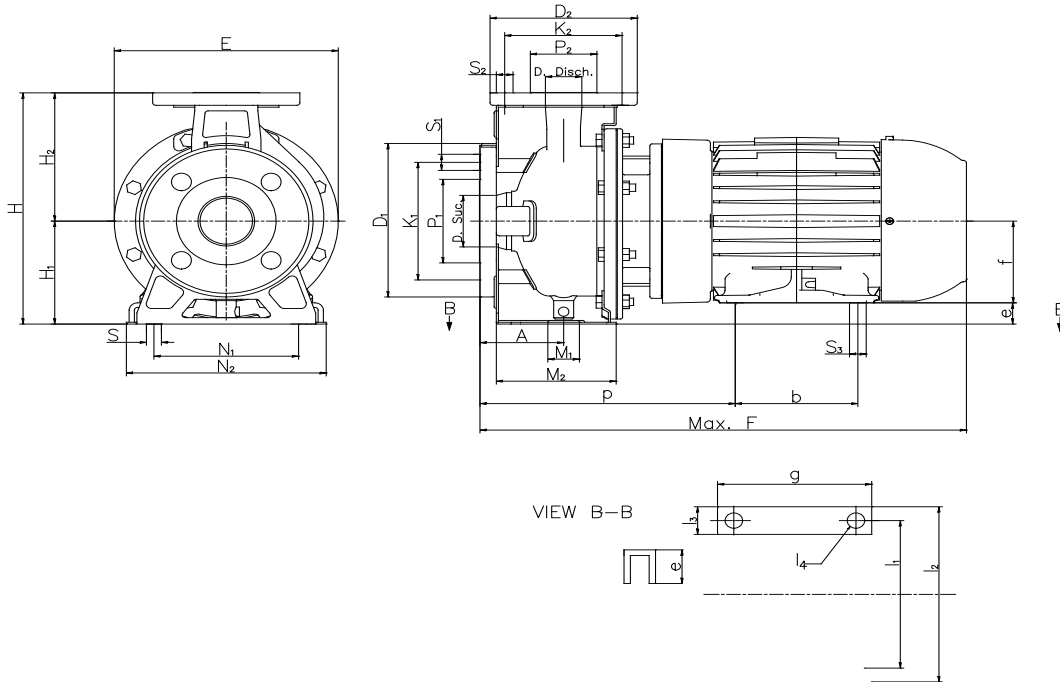
Unit: inch

Model	Size	Flange										Pump									
		Suction					Discharge														
		D Suc.	P <sub>1</sub>	K <sub>1</sub>	D <sub>1</sub>	S <sub>1</sub>	D Disch.	P <sub>2</sub>	K <sub>2</sub>	D <sub>2</sub>	S <sub>2</sub>	A	E	H	H <sub>1</sub>	H <sub>2</sub>	M <sub>1</sub>	M <sub>2</sub>	N <sub>1</sub>	N <sub>2</sub>	S
32-125-3HP	1¼ x 2 x 5 <sup>1</sup> / <sub>16</sub>	2	3 <sup>3</sup> / <sub>4</sub>	4 <sup>1</sup> / <sub>16</sub>	6½	1 <sup>1</sup> / <sub>16</sub>	1¼	2½	3½	5½	¾	3 <sup>3</sup> / <sub>8</sub>	8 <sup>3</sup> / <sub>8</sub>	9 <sup>1</sup> / <sub>16</sub>	4 <sup>7</sup> / <sub>16</sub>	5½	2¼	4½	5½	7½	¾
32-160A-5HP	1¼ x 2 x 5 <sup>1</sup> / <sub>16</sub>	2	3 <sup>3</sup> / <sub>4</sub>	4 <sup>1</sup> / <sub>16</sub>	6½	1 <sup>1</sup> / <sub>16</sub>	1¼	2½	3½	5½	¾	3 <sup>3</sup> / <sub>8</sub>	10	11½	5 <sup>5</sup> / <sub>16</sub>	6 <sup>5</sup> / <sub>16</sub>	2¼	4%	7½	9 <sup>1</sup> / <sub>16</sub>	¾
32-160B-5HP	1¼ x 2 x 6 <sup>1</sup> / <sub>16</sub>	2	3 <sup>3</sup> / <sub>4</sub>	4 <sup>1</sup> / <sub>16</sub>	6½	1 <sup>1</sup> / <sub>16</sub>	1¼	2½	3½	5½	¾	3 <sup>3</sup> / <sub>8</sub>	10	11½	5 <sup>5</sup> / <sub>16</sub>	6 <sup>5</sup> / <sub>16</sub>	2¼	4%	7½	9 <sup>1</sup> / <sub>16</sub>	¾
32-200-7½HP	1¼ x 2 x 7 <sup>1</sup> / <sub>16</sub>	2	3 <sup>3</sup> / <sub>4</sub>	4 <sup>1</sup> / <sub>16</sub>	6½	1 <sup>1</sup> / <sub>16</sub>	1¼	2½	3½	5½	¾	3 <sup>3</sup> / <sub>8</sub>	11 <sup>1</sup> / <sub>16</sub>	13%	6 <sup>5</sup> / <sub>16</sub>	7½	2¼	4 <sup>1</sup> / <sub>16</sub>	7½	9 <sup>1</sup> / <sub>16</sub>	¾
32-200-10HP	1¼ x 2 x 7 <sup>1</sup> / <sub>16</sub>	2	3 <sup>3</sup> / <sub>4</sub>	4 <sup>1</sup> / <sub>16</sub>	6½	1 <sup>1</sup> / <sub>16</sub>	1¼	2½	3½	5½	¾	3 <sup>3</sup> / <sub>8</sub>	11 <sup>1</sup> / <sub>16</sub>	13%	6 <sup>5</sup> / <sub>16</sub>	7½	2¼	4 <sup>1</sup> / <sub>16</sub>	7½	9 <sup>1</sup> / <sub>16</sub>	¾
40-125A-5HP	1½ x 2½ x 4 <sup>1</sup> / <sub>16</sub>	2½	4 <sup>1</sup> / <sub>16</sub>	5 <sup>1</sup> / <sub>16</sub>	7 <sup>1</sup> / <sub>16</sub>	1 <sup>1</sup> / <sub>16</sub>	1½	2 <sup>1</sup> / <sub>16</sub>	3 <sup>3</sup> / <sub>8</sub>	5%	¾	3 <sup>3</sup> / <sub>8</sub>	8 <sup>3</sup> / <sub>8</sub>	9 <sup>1</sup> / <sub>16</sub>	4 <sup>7</sup> / <sub>16</sub>	5½	2¼	4½	6 <sup>5</sup> / <sub>16</sub>	8¼	¾
40-125B-5HP	1½ x 2½ x 5½	2½	4 <sup>1</sup> / <sub>16</sub>	5 <sup>1</sup> / <sub>16</sub>	7 <sup>1</sup> / <sub>16</sub>	1 <sup>1</sup> / <sub>16</sub>	1½	2 <sup>1</sup> / <sub>16</sub>	3 <sup>3</sup> / <sub>8</sub>	5%	¾	3 <sup>3</sup> / <sub>8</sub>	8 <sup>3</sup> / <sub>8</sub>	9 <sup>1</sup> / <sub>16</sub>	4 <sup>7</sup> / <sub>16</sub>	5½	2¼	4½	6 <sup>5</sup> / <sub>16</sub>	8¼	¾
40-160-7½HP	1½ x 2½ x 5 <sup>1</sup> / <sub>16</sub>	2½	4 <sup>1</sup> / <sub>16</sub>	5 <sup>1</sup> / <sub>16</sub>	7 <sup>1</sup> / <sub>16</sub>	1 <sup>1</sup> / <sub>16</sub>	1½	2 <sup>1</sup> / <sub>16</sub>	3 <sup>3</sup> / <sub>8</sub>	5%	¾	3 <sup>3</sup> / <sub>8</sub>	10	11½	5 <sup>5</sup> / <sub>16</sub>	6 <sup>5</sup> / <sub>16</sub>	2¼	4%	7½	9 <sup>1</sup> / <sub>16</sub>	¾
40-160-1-10HP	1½ x 2½ x 6 <sup>1</sup> / <sub>16</sub>	2½	4 <sup>1</sup> / <sub>16</sub>	5 <sup>1</sup> / <sub>16</sub>	7 <sup>1</sup> / <sub>16</sub>	1 <sup>1</sup> / <sub>16</sub>	1½	2 <sup>1</sup> / <sub>16</sub>	3 <sup>3</sup> / <sub>8</sub>	5%	¾	3 <sup>3</sup> / <sub>8</sub>	10	11½	5 <sup>5</sup> / <sub>16</sub>	6 <sup>5</sup> / <sub>16</sub>	2¼	4%	7½	9 <sup>1</sup> / <sub>16</sub>	¾
40-200A-15HP	1½ x 2½ x 7 <sup>1</sup> / <sub>16</sub>	2½	4 <sup>1</sup> / <sub>16</sub>	5 <sup>1</sup> / <sub>16</sub>	7 <sup>1</sup> / <sub>16</sub>	1 <sup>1</sup> / <sub>16</sub>	1½	2 <sup>1</sup> / <sub>16</sub>	3 <sup>3</sup> / <sub>8</sub>	5%	¾	3 <sup>1</sup> / <sub>16</sub>	11 <sup>1</sup> / <sub>16</sub>	13%	6 <sup>5</sup> / <sub>16</sub>	7½	2¼	4½	8%	10 <sup>1</sup> / <sub>16</sub>	¾
40-200B-15HP	1½ x 2½ x 7 <sup>1</sup> / <sub>16</sub>	2½	4 <sup>1</sup> / <sub>16</sub>	5 <sup>1</sup> / <sub>16</sub>	7 <sup>1</sup> / <sub>16</sub>	1 <sup>1</sup> / <sub>16</sub>	1½	2 <sup>1</sup> / <sub>16</sub>	3 <sup>3</sup> / <sub>8</sub>	5%	¾	3 <sup>1</sup> / <sub>16</sub>	11 <sup>1</sup> / <sub>16</sub>	13%	6 <sup>5</sup> / <sub>16</sub>	7½	2¼	4½	8%	10 <sup>1</sup> / <sub>16</sub>	¾
50-125-7½HP	2 x 2½ x 5 <sup>1</sup> / <sub>16</sub>	2½	4 <sup>1</sup> / <sub>16</sub>	5 <sup>1</sup> / <sub>16</sub>	7 <sup>1</sup> / <sub>16</sub>	1 <sup>1</sup> / <sub>16</sub>	2	3 <sup>3</sup> / <sub>4</sub>	4 <sup>1</sup> / <sub>16</sub>	6½	1 <sup>1</sup> / <sub>16</sub>	3 <sup>1</sup> / <sub>16</sub>	10	11½	5 <sup>5</sup> / <sub>16</sub>	6 <sup>5</sup> / <sub>16</sub>	2¼	4½	7½	9 <sup>1</sup> / <sub>16</sub>	¾
50-125-10HP	2 x 2½ x 5½	2½	4 <sup>1</sup> / <sub>16</sub>	5 <sup>1</sup> / <sub>16</sub>	7 <sup>1</sup> / <sub>16</sub>	1 <sup>1</sup> / <sub>16</sub>	2	3 <sup>3</sup> / <sub>4</sub>	4 <sup>1</sup> / <sub>16</sub>	6½	1 <sup>1</sup> / <sub>16</sub>	3 <sup>1</sup> / <sub>16</sub>	10	11½	5 <sup>5</sup> / <sub>16</sub>	6 <sup>5</sup> / <sub>16</sub>	2¼	4½	7½	9 <sup>1</sup> / <sub>16</sub>	¾
50-160-10HP	2 x 2½ x 6 <sup>1</sup> / <sub>16</sub>	2½	4 <sup>1</sup> / <sub>16</sub>	5 <sup>1</sup> / <sub>16</sub>	7 <sup>1</sup> / <sub>16</sub>	1 <sup>1</sup> / <sub>16</sub>	2	3 <sup>3</sup> / <sub>4</sub>	4 <sup>1</sup> / <sub>16</sub>	6½	1 <sup>1</sup> / <sub>16</sub>	3 <sup>1</sup> / <sub>16</sub>	11 <sup>1</sup> / <sub>16</sub>	13%	6 <sup>5</sup> / <sub>16</sub>	7½	2¼	4½	8%	10 <sup>1</sup> / <sub>16</sub>	¾
50-160-1-15HP	2 x 2½ x 6 <sup>1</sup> / <sub>16</sub>	2½	4 <sup>1</sup> / <sub>16</sub>	5 <sup>1</sup> / <sub>16</sub>	7 <sup>1</sup> / <sub>16</sub>	1 <sup>1</sup> / <sub>16</sub>	2	3 <sup>3</sup> / <sub>4</sub>	4 <sup>1</sup> / <sub>16</sub>	6½	1 <sup>1</sup> / <sub>16</sub>	3 <sup>1</sup> / <sub>16</sub>	11 <sup>1</sup> / <sub>16</sub>	13%	6 <sup>5</sup> / <sub>16</sub>	7½	2¼	4½	8%	10 <sup>1</sup> / <sub>16</sub>	¾



**Pump Dimensions**

**3U 2-Pole Motor**



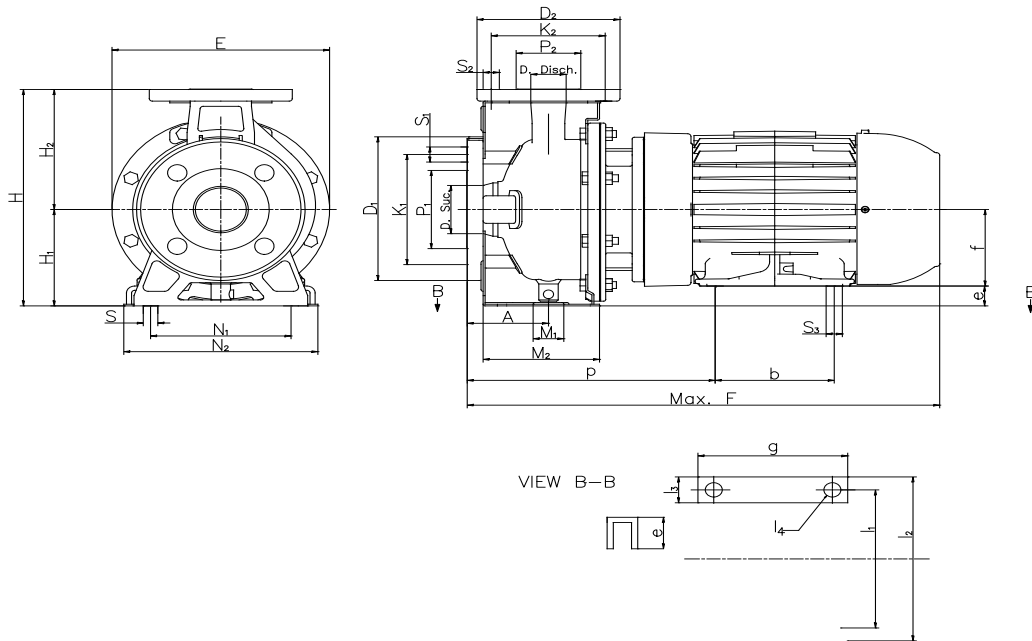
Unit: inch

Model	JM Frame	Motor									
		b	e	f	g	l <sub>1</sub>	l <sub>2</sub>	l <sub>3</sub>	P	S <sub>3</sub>	F
32-125	145JM	5	1 <sup>5</sup> / <sub>16</sub>	3 <sup>1</sup> / <sub>2</sub>	5 <sup>15</sup> / <sub>16</sub>	5 <sup>1</sup> / <sub>2</sub>	6 <sup>1</sup> / <sub>2</sub>	1	6 <sup>3</sup> / <sub>16</sub>	1 <sup>1</sup> / <sub>32</sub>	18 <sup>15</sup> / <sub>16</sub>
	182JM	4 <sup>1</sup> / <sub>2</sub>	- <sup>1</sup> / <sub>16</sub>	4 <sup>1</sup> / <sub>2</sub>	6 <sup>1</sup> / <sub>2</sub>	7 <sup>1</sup> / <sub>2</sub>	8 <sup>1</sup> / <sub>2</sub>	1	7 <sup>3</sup> / <sub>16</sub>	1 <sup>3</sup> / <sub>32</sub>	19 <sup>3</sup> / <sub>16</sub>
32-160A/B	182JM	4 <sup>1</sup> / <sub>2</sub>	1 <sup>1</sup> / <sub>16</sub>	4 <sup>1</sup> / <sub>2</sub>	6 <sup>1</sup> / <sub>2</sub>	7 <sup>1</sup> / <sub>2</sub>	8 <sup>1</sup> / <sub>2</sub>	1	7 <sup>3</sup> / <sub>16</sub>	1 <sup>3</sup> / <sub>32</sub>	19 <sup>3</sup> / <sub>16</sub>
	184JM	5 <sup>1</sup> / <sub>2</sub>	1 <sup>1</sup> / <sub>16</sub>	4 <sup>1</sup> / <sub>2</sub>	6 <sup>1</sup> / <sub>2</sub>	7 <sup>1</sup> / <sub>2</sub>	8 <sup>1</sup> / <sub>2</sub>	1	7 <sup>3</sup> / <sub>16</sub>	1 <sup>3</sup> / <sub>32</sub>	20 <sup>5</sup> / <sub>16</sub>
32-200	184JM	5 <sup>1</sup> / <sub>2</sub>	1 <sup>13</sup> / <sub>16</sub>	4 <sup>1</sup> / <sub>2</sub>	6 <sup>1</sup> / <sub>2</sub>	7 <sup>1</sup> / <sub>2</sub>	8 <sup>1</sup> / <sub>2</sub>	1	7 <sup>3</sup> / <sub>16</sub>	1 <sup>3</sup> / <sub>32</sub>	22 <sup>1</sup> / <sub>16</sub>
	213JM	5 <sup>1</sup> / <sub>2</sub>	1 <sup>1</sup> / <sub>16</sub>	5 <sup>1</sup> / <sub>4</sub>	8	8 <sup>1</sup> / <sub>2</sub>	9 <sup>1</sup> / <sub>2</sub>	1	8 <sup>3</sup> / <sub>16</sub>	1 <sup>3</sup> / <sub>32</sub>	20 <sup>3</sup> / <sub>4</sub>
	215JM	7	1 <sup>1</sup> / <sub>16</sub>	5 <sup>1</sup> / <sub>4</sub>	8	8 <sup>1</sup> / <sub>2</sub>	9 <sup>1</sup> / <sub>2</sub>	1	8 <sup>3</sup> / <sub>16</sub>	1 <sup>3</sup> / <sub>32</sub>	21 <sup>1</sup> / <sub>16</sub>
40-125A/B	182JM	4 <sup>1</sup> / <sub>2</sub>	- <sup>1</sup> / <sub>16</sub>	4 <sup>1</sup> / <sub>2</sub>	6 <sup>1</sup> / <sub>2</sub>	7 <sup>1</sup> / <sub>2</sub>	8 <sup>1</sup> / <sub>2</sub>	1	7 <sup>3</sup> / <sub>16</sub>	1 <sup>3</sup> / <sub>32</sub>	19 <sup>3</sup> / <sub>16</sub>
	184JM	5 <sup>1</sup> / <sub>2</sub>	- <sup>1</sup> / <sub>16</sub>	4 <sup>1</sup> / <sub>2</sub>	6 <sup>1</sup> / <sub>2</sub>	7 <sup>1</sup> / <sub>2</sub>	8 <sup>1</sup> / <sub>2</sub>	1	7 <sup>3</sup> / <sub>16</sub>	1 <sup>3</sup> / <sub>32</sub>	20 <sup>3</sup> / <sub>4</sub>
40-160	184JM	5 <sup>1</sup> / <sub>2</sub>	1 <sup>1</sup> / <sub>16</sub>	4 <sup>1</sup> / <sub>2</sub>	6 <sup>1</sup> / <sub>2</sub>	7 <sup>1</sup> / <sub>2</sub>	8 <sup>1</sup> / <sub>2</sub>	1	7 <sup>3</sup> / <sub>16</sub>	1 <sup>3</sup> / <sub>32</sub>	22 <sup>1</sup> / <sub>16</sub>
	213JM	5 <sup>1</sup> / <sub>2</sub>	- <sup>1</sup> / <sub>16</sub>	5 <sup>1</sup> / <sub>4</sub>	8	8 <sup>1</sup> / <sub>2</sub>	9 <sup>1</sup> / <sub>2</sub>	1	8 <sup>3</sup> / <sub>16</sub>	1 <sup>3</sup> / <sub>32</sub>	20 <sup>3</sup> / <sub>4</sub>
	215JM	7	- <sup>1</sup> / <sub>16</sub>	5 <sup>1</sup> / <sub>4</sub>	8	8 <sup>1</sup> / <sub>2</sub>	9 <sup>1</sup> / <sub>2</sub>	1	8 <sup>3</sup> / <sub>16</sub>	1 <sup>3</sup> / <sub>32</sub>	21 <sup>1</sup> / <sub>16</sub>
40-200	215JM	7	1 <sup>1</sup> / <sub>16</sub>	5 <sup>1</sup> / <sub>4</sub>	8	8 <sup>1</sup> / <sub>2</sub>	9 <sup>1</sup> / <sub>2</sub>	1	8 <sup>3</sup> / <sub>16</sub>	1 <sup>3</sup> / <sub>32</sub>	22 <sup>1</sup> / <sub>16</sub>
50-125	184JM	5 <sup>1</sup> / <sub>2</sub>	1 <sup>1</sup> / <sub>16</sub>	4 <sup>1</sup> / <sub>2</sub>	6 <sup>1</sup> / <sub>2</sub>	7 <sup>1</sup> / <sub>2</sub>	8 <sup>1</sup> / <sub>2</sub>	1	7 <sup>3</sup> / <sub>16</sub>	1 <sup>3</sup> / <sub>32</sub>	22 <sup>15</sup> / <sub>16</sub>
	213JM	5 <sup>1</sup> / <sub>2</sub>	- <sup>1</sup> / <sub>16</sub>	5 <sup>1</sup> / <sub>4</sub>	8	8 <sup>1</sup> / <sub>2</sub>	9 <sup>1</sup> / <sub>2</sub>	1	8 <sup>3</sup> / <sub>16</sub>	1 <sup>3</sup> / <sub>32</sub>	21 <sup>1</sup> / <sub>16</sub>
	215JM	7	- <sup>1</sup> / <sub>16</sub>	5 <sup>1</sup> / <sub>4</sub>	8	8 <sup>1</sup> / <sub>2</sub>	9 <sup>1</sup> / <sub>2</sub>	1	8 <sup>3</sup> / <sub>16</sub>	1 <sup>3</sup> / <sub>32</sub>	22 <sup>1</sup> / <sub>16</sub>
50-160	213JM	5 <sup>1</sup> / <sub>2</sub>	1 <sup>1</sup> / <sub>16</sub>	5 <sup>1</sup> / <sub>4</sub>	8	8 <sup>1</sup> / <sub>2</sub>	9 <sup>1</sup> / <sub>2</sub>	1	8 <sup>3</sup> / <sub>16</sub>	1 <sup>3</sup> / <sub>32</sub>	21 <sup>1</sup> / <sub>16</sub>
	215JM	7	1 <sup>1</sup> / <sub>16</sub>	5 <sup>1</sup> / <sub>4</sub>	8	8 <sup>1</sup> / <sub>2</sub>	9 <sup>1</sup> / <sub>2</sub>	1	8 <sup>3</sup> / <sub>16</sub>	1 <sup>3</sup> / <sub>32</sub>	22 <sup>1</sup> / <sub>16</sub>

**Remarks:**

1. "e" dimensions (-) means H<sub>1</sub> < f.  
In this case, need distance piece under the pump.
2. "F" dimensions indicate maximum dimension.

**Pump Dimensions**

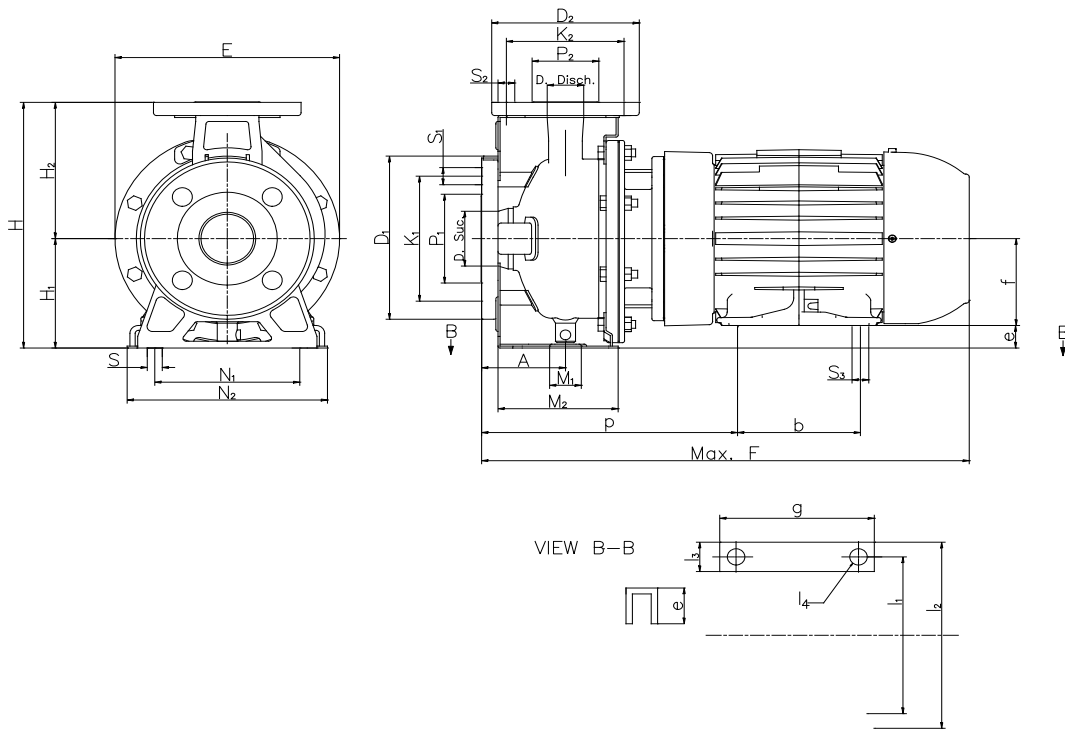


**3U 4-Pole TEFC Motor**

Model	HP	Phase	JM Frame	b	e	f	g	l1	l2	l3	l4	P	S3	F
32-200	1	3	143JM	5	2 13/16	3 1/2	5 15/16	5 1/2	7 1/2	1 3/4	5/16	9 1/16	3/8	19 13/16
	1	1	145JM	5	2 13/16	3 1/2	5 15/16	5 1/2	7 1/2	1 3/4	5/16	9 1/16	3/8	19 13/16
	1.5	3	145JM	5	2 13/16	3 1/2	5 15/16	5 1/2	7 1/2	1 3/4	5/16	9 1/16	3/8	19 5/8
	1.5	1	145JM	5	2 13/16	3 1/2	5 15/16	5 1/2	7 1/2	1 3/4	5/16	10 7/8	3/8	20 13/16
40-160	2	3	145JM	5	2 13/16	3 1/2	5 15/16	5 1/2	7 1/2	1 3/4	5/16	10 7/8	3/8	19 1/16
	1	1	145JM	5	2 13/16	3 1/2	5 15/16	5 1/2	7 1/2	1 3/4	5/16	7 9/16	3/8	19 13/16
	1	3	143JM	5	1 11/16	3 1/2	5 15/16	5 1/2	7 1/2	1 3/4	5/16	7 1/2	3/8	19 3/4
40-200A/B	1.5	3	145JM	5	1 3/4	3 1/2	5 15/16	5 1/2	7 1/2	1 3/4	5/16	10 7/8	3/8	18 11/16
	1.5	3	145JM	5	2 13/16	3 1/2	5 15/16	5 1/2	7 1/2	1 3/4	5/16	7 1/2	3/8	18 3/4
50-125	2	3	145JM	5	2 13/16	3 1/2	5 15/16	5 1/2	7 1/2	1 3/4	5/16	7 1/2	3/8	18 3/4
	1	3	143JM	5	1 11/16	3 1/2	5 15/16	5 1/2	7 1/2	1 3/4	5/16	7 1/2	3/8	19 5/8
	1.5	3	145JM	5	1 11/16	3 1/2	5 15/16	5 1/2	7 1/2	1 3/4	5/16	10 7/8	3/8	19 1/2
50-160	2	3	145JM	5	1 11/16	3 1/2	5 15/16	5 1/2	7 1/2	1 3/4	5/16	10 7/8	3/8	19 7/8
	1.5	1	145JM	5	2 13/16	3 1/2	5 15/16	5 1/2	7 1/2	1 3/4	5/16	10 1/2	3/8	20 13/16
	1.5	3	145JM	5	2 13/16	3 1/2	5 15/16	5 1/2	7 1/2	1 3/4	5/16	10 1/2	3/8	19 5/8
	2	3	145JM	5	2 13/16	3 1/2	5 15/16	5 1/2	7 1/2	1 3/4	5/16	10 1/2	3/8	19 5/8



**Pump Dimensions**



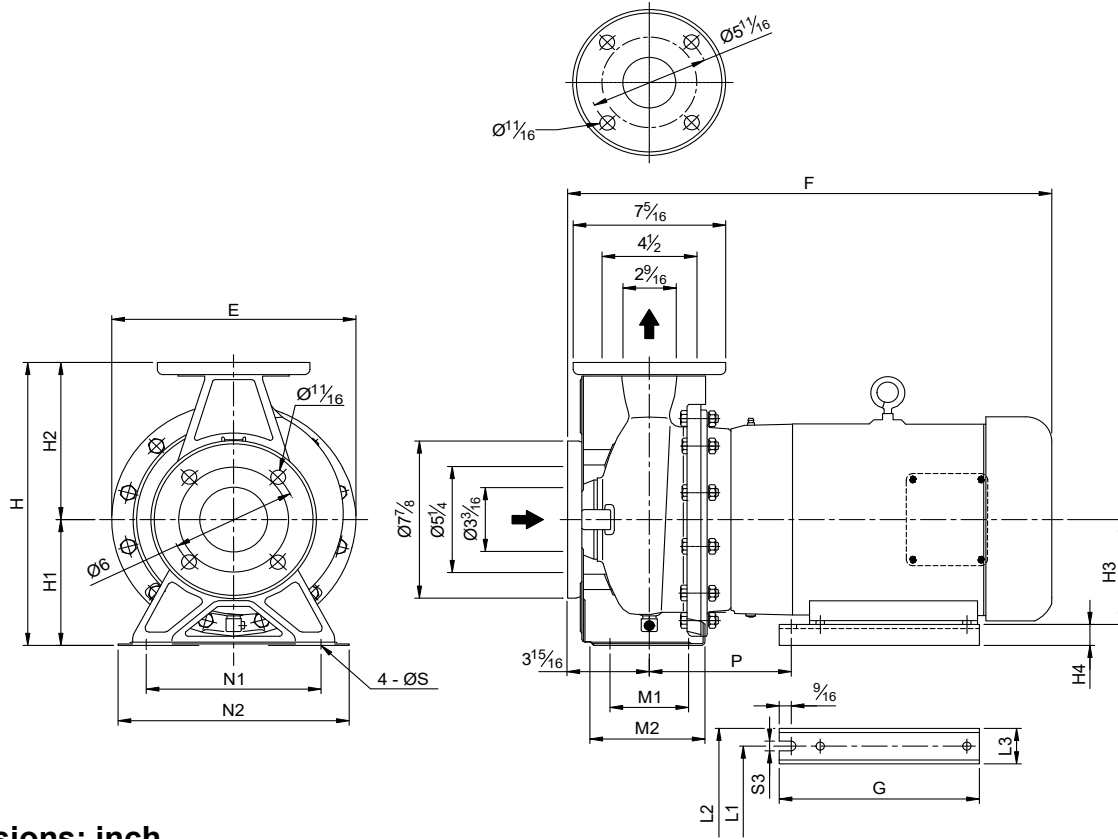
**3U 4-Pole ODP Motor**

Model	HP	Phase	JM Frame	b	e	f	g	I1	I2	I3	I4	P	S3	F
32-200	1	3	143JM	5	2 <sup>13</sup> / <sub>16</sub>	3 <sup>1</sup> / <sub>2</sub>	5 <sup>15</sup> / <sub>16</sub>	5 <sup>1</sup> / <sub>2</sub>	7 <sup>1</sup> / <sub>2</sub>	1 <sup>3</sup> / <sub>4</sub>	5 <sup>1</sup> / <sub>16</sub>	7 <sup>9</sup> / <sub>16</sub>	3 <sup>3</sup> / <sub>8</sub>	18 <sup>15</sup> / <sub>16</sub>
	1.5	3	145JM	5	2 <sup>13</sup> / <sub>16</sub>	3 <sup>1</sup> / <sub>2</sub>	5 <sup>15</sup> / <sub>16</sub>	5 <sup>1</sup> / <sub>2</sub>	7 <sup>1</sup> / <sub>2</sub>	1 <sup>3</sup> / <sub>4</sub>	5 <sup>1</sup> / <sub>16</sub>	7 <sup>9</sup> / <sub>16</sub>	3 <sup>3</sup> / <sub>8</sub>	18 <sup>15</sup> / <sub>16</sub>
	2	3	145JM	5	2 <sup>13</sup> / <sub>16</sub>	3 <sup>1</sup> / <sub>2</sub>	5 <sup>15</sup> / <sub>16</sub>	5 <sup>1</sup> / <sub>2</sub>	7 <sup>1</sup> / <sub>2</sub>	1 <sup>3</sup> / <sub>4</sub>	5 <sup>1</sup> / <sub>16</sub>	10 <sup>1</sup> / <sub>16</sub>	3 <sup>3</sup> / <sub>8</sub>	17 <sup>7</sup> / <sub>16</sub>
40-160	1	3	143JM	5	1 <sup>11</sup> / <sub>16</sub>	3 <sup>1</sup> / <sub>2</sub>	5 <sup>15</sup> / <sub>16</sub>	5 <sup>1</sup> / <sub>2</sub>	7 <sup>1</sup> / <sub>2</sub>	1 <sup>3</sup> / <sub>4</sub>	5 <sup>1</sup> / <sub>16</sub>	7 <sup>1</sup> / <sub>2</sub>	3 <sup>3</sup> / <sub>8</sub>	18 <sup>3</sup> / <sub>8</sub>
	1.5	3	145JM	5	1 <sup>11</sup> / <sub>16</sub>	3 <sup>1</sup> / <sub>2</sub>	5 <sup>15</sup> / <sub>16</sub>	5 <sup>1</sup> / <sub>2</sub>	7 <sup>1</sup> / <sub>2</sub>	1 <sup>3</sup> / <sub>4</sub>	5 <sup>1</sup> / <sub>16</sub>	10 <sup>1</sup> / <sub>16</sub>	3 <sup>3</sup> / <sub>8</sub>	17 <sup>7</sup> / <sub>16</sub>
40-200A/B	1.5	3	145JM	5	2 <sup>13</sup> / <sub>16</sub>	3 <sup>1</sup> / <sub>2</sub>	5 <sup>15</sup> / <sub>16</sub>	5 <sup>1</sup> / <sub>2</sub>	7 <sup>1</sup> / <sub>2</sub>	1 <sup>3</sup> / <sub>4</sub>	5 <sup>1</sup> / <sub>16</sub>	7 <sup>3</sup> / <sub>8</sub>	3 <sup>3</sup> / <sub>8</sub>	19 <sup>5</sup> / <sub>8</sub>
	2	3	145JM	5	2 <sup>13</sup> / <sub>16</sub>	3 <sup>1</sup> / <sub>2</sub>	5 <sup>15</sup> / <sub>16</sub>	5 <sup>1</sup> / <sub>2</sub>	7 <sup>1</sup> / <sub>2</sub>	1 <sup>3</sup> / <sub>4</sub>	5 <sup>1</sup> / <sub>16</sub>	7 <sup>3</sup> / <sub>8</sub>	3 <sup>3</sup> / <sub>8</sub>	19 <sup>5</sup> / <sub>8</sub>
50-125	1	3	143JM	5	1 <sup>11</sup> / <sub>16</sub>	3 <sup>1</sup> / <sub>2</sub>	5 <sup>15</sup> / <sub>16</sub>	5 <sup>1</sup> / <sub>2</sub>	7 <sup>1</sup> / <sub>2</sub>	1 <sup>3</sup> / <sub>4</sub>	5 <sup>1</sup> / <sub>16</sub>	7 <sup>3</sup> / <sub>8</sub>	3 <sup>3</sup> / <sub>8</sub>	18 <sup>3</sup> / <sub>4</sub>
	1.5	3	145JM	5	1 <sup>11</sup> / <sub>16</sub>	3 <sup>1</sup> / <sub>2</sub>	5 <sup>15</sup> / <sub>16</sub>	5 <sup>1</sup> / <sub>2</sub>	7 <sup>1</sup> / <sub>2</sub>	1 <sup>3</sup> / <sub>4</sub>	5 <sup>1</sup> / <sub>16</sub>	10 <sup>1</sup> / <sub>16</sub>	3 <sup>3</sup> / <sub>8</sub>	18 <sup>3</sup> / <sub>4</sub>
	2	3	145JM	5	1 <sup>11</sup> / <sub>16</sub>	3 <sup>1</sup> / <sub>2</sub>	5 <sup>15</sup> / <sub>16</sub>	5 <sup>1</sup> / <sub>2</sub>	7 <sup>1</sup> / <sub>2</sub>	1 <sup>3</sup> / <sub>4</sub>	5 <sup>1</sup> / <sub>16</sub>	10 <sup>1</sup> / <sub>16</sub>	3 <sup>3</sup> / <sub>8</sub>	18 <sup>3</sup> / <sub>4</sub>
50-160	1.5	3	145JM	5	2 <sup>13</sup> / <sub>16</sub>	3 <sup>1</sup> / <sub>2</sub>	5 <sup>15</sup> / <sub>16</sub>	5 <sup>1</sup> / <sub>2</sub>	7 <sup>1</sup> / <sub>2</sub>	1 <sup>3</sup> / <sub>4</sub>	5 <sup>1</sup> / <sub>16</sub>	10 <sup>1</sup> / <sub>16</sub>	3 <sup>3</sup> / <sub>8</sub>	17 <sup>1</sup> / <sub>8</sub>
	2	3	145JM	5	2 <sup>13</sup> / <sub>16</sub>	3 <sup>1</sup> / <sub>2</sub>	5 <sup>15</sup> / <sub>16</sub>	5 <sup>1</sup> / <sub>2</sub>	7 <sup>1</sup> / <sub>2</sub>	1 <sup>3</sup> / <sub>4</sub>	5 <sup>1</sup> / <sub>16</sub>	10 <sup>1</sup> / <sub>16</sub>	3 <sup>3</sup> / <sub>8</sub>	17 <sup>1</sup> / <sub>8</sub>



Dimensions

3U Type 1



Dimensions: inch

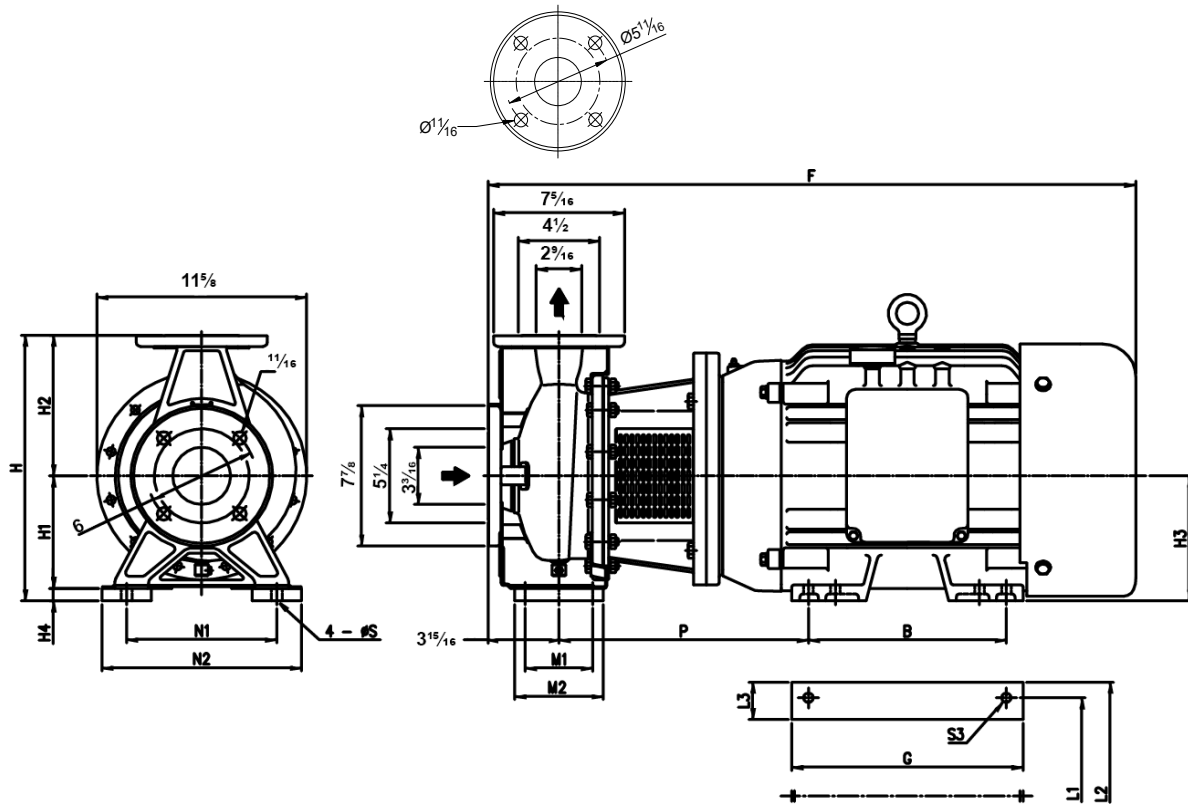
Model	Size	Type	E	F	G	H	H <sub>1</sub>	H <sub>2</sub>	H <sub>3</sub>	H <sub>4</sub>	L <sub>1</sub>	L <sub>2</sub>	L <sub>3</sub>	M <sub>1</sub>	M <sub>2</sub>	N <sub>1</sub>	N <sub>2</sub>	P	S	S <sub>3</sub>
3U 65-125/7.5	2½ x 3 x 4⅞	1	10	23⅜	9⅞	13⅜	6⅞	7⅞	5¼	1⅞	8½	10¼	1¼	3¼	5½	8⅞	11	16⅞	⅞	½
3U 65-125/10	2½ x 3 x 5⅞	1	10	23⅜	9⅞	13⅜	6⅞	7⅞	5¼	1⅞	8½	10¼	1¼	3¼	5½	8⅞	11	16⅞	⅞	½
3U 65-125/15	2½ x 3 x 5½	1	10	30⅞	9⅞	13⅜	6⅞	7⅞	5¼	1⅞	8½	10¼	1¼	3¼	5½	8⅞	11	16⅞	⅞	½
3U 65-160/10	2½ x 3 x 5¼	1	11⅞	23⅜	9⅞	14⅞	6⅞	7⅞	5¼	1⅞	8½	10¼	1¼	3¼	5½	8⅞	11	16⅞	⅞	½
3U 65-160/15	2½ x 3 x 5⅞	1	11⅞	23⅜	9⅞	14⅞	6⅞	7⅞	5¼	1⅞	8½	10¼	1¼	3¼	5½	8⅞	11	16⅞	⅞	½





**Dimensions**

**3U Type 2**  
**3U Type 3**



**Dimensions: inch**

Model	Size	Type	E	F	G	H	H <sub>1</sub>	H <sub>2</sub>	H <sub>3</sub>	H <sub>4</sub>	L <sub>1</sub>	L <sub>2</sub>	L <sub>3</sub>	M <sub>1</sub>	M <sub>2</sub>	N <sub>1</sub>	N <sub>2</sub>	P	S	S <sub>3</sub>
3U 65-125/20	2½ x 3 x 5⅝	3	10	33⅛	11¼	13⅞	6⅝	7⅞	6¼	⅞	10	11⅞	1⅞	¾	5⅞	8⅞	11⅞	16⅞	⅞	⅞
3U 65-160/20	2½ x 3 x 6⅝	3	11	33½	11¼	14⅞	6⅝	7⅞	6¼	⅞	10	11⅞	1⅞	¾	5⅞	8⅞	11½	13⅞	⅞	⅞
3U 65-160/25	2½ x 3 x 6⅞	3	11	36	12⅞	14⅞	6⅝	7⅞	7	⅞	11	12¾	-	¾	4⅞	8⅞	11⅞	13⅞	⅞	⅞
3U 65-200/20	2½ x 3 x 6¾	3	10	32¾	13⅞	15⅞	7⅞	8⅞	6¼	⅞	10	12¾	2⅞	¾	5½	9⅞	12⅞	13⅞	⅞	⅞
3U 65-200/25	2½ x 3 x 7⅞	3	11	36	13	15⅞	7⅞	8⅞	7	⅞	11	12⅞	1⅞	¾	5½	9⅞	12⅞	13⅞	⅞	⅞



**Sectional View**

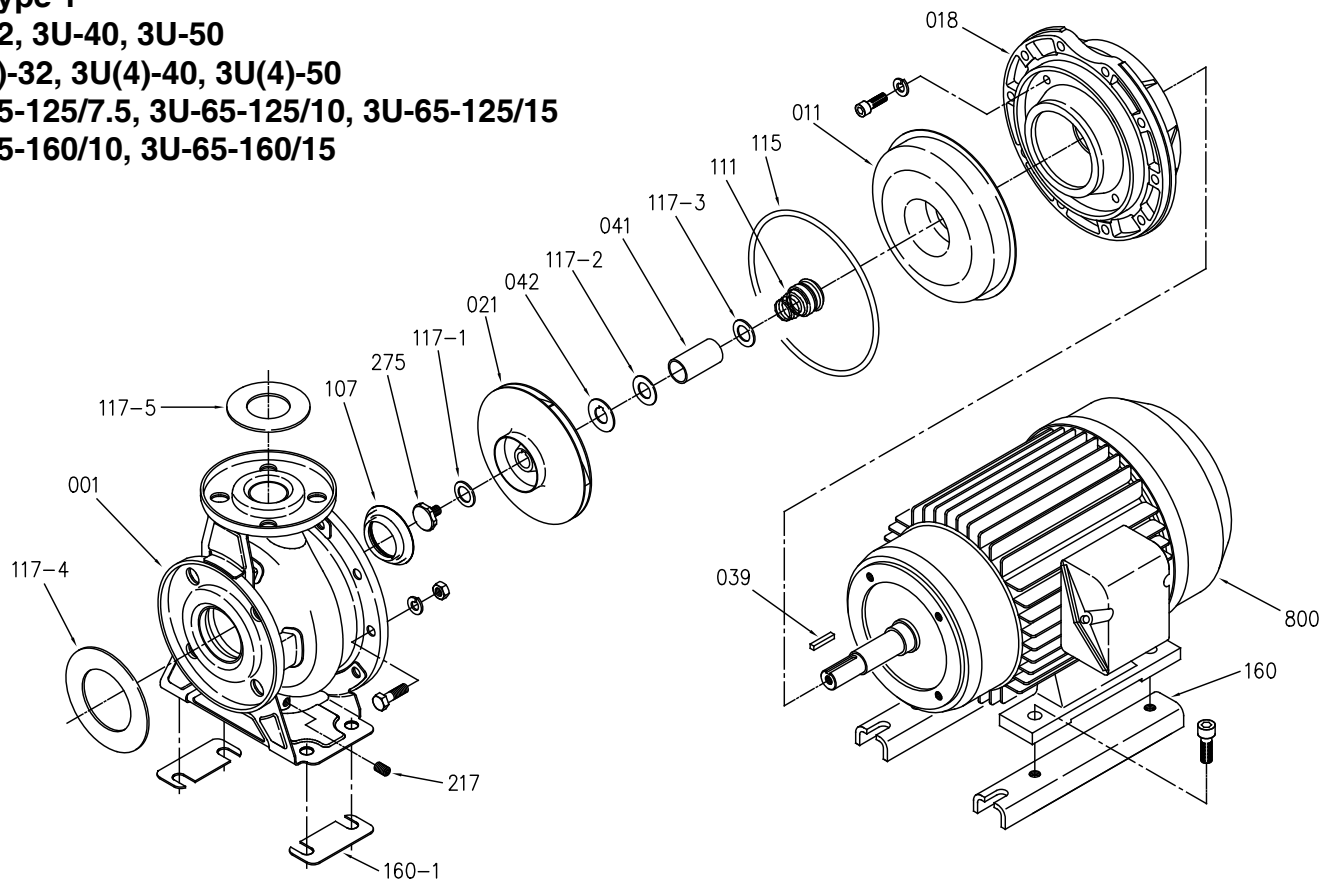
**3U Type 1**

**3U-32, 3U-40, 3U-50**

**3U(4)-32, 3U(4)-40, 3U(4)-50**

**3U-65-125/7.5, 3U-65-125/10, 3U-65-125/15**

**3U-65-160/10, 3U-65-160/15**



Part No.	Part Name	Materials	No. for 1 Unit
001	Casing	304L Stainless	1
011	Casing Cover	304L Stainless	1
018	Bracket	Cast Iron	1
021	Impeller	304L Stainless	1
039	Key	304L Stainless	1
041	Shaft Sleeve	304L Stainless	1
042	Impeller Spacer	304L Stainless	1
107	Liner Ring	304L Stainless + PTFE	1
111	Mechanical Seal	varies by model	1
115	O-Ring	Viton/EPDM	1
117-1	Gasket	Nylon	1
117-2	Gasket	Nylon	1
117-3	Gasket	Nylon	1
117-4	Suction Flange Gasket	EPDM	2
117-5	Discharge Flange Gasket	NBR/EPDM	2
160	Motor Support	Steel	2
160-1	Casing Support	Steel	2
217	Drain Plug	304L Stainless	1
275	Impeller Bolt	304L Stainless	1
800	Motor	-	1

Pump will use either motor supports or casing supports, depending on model.

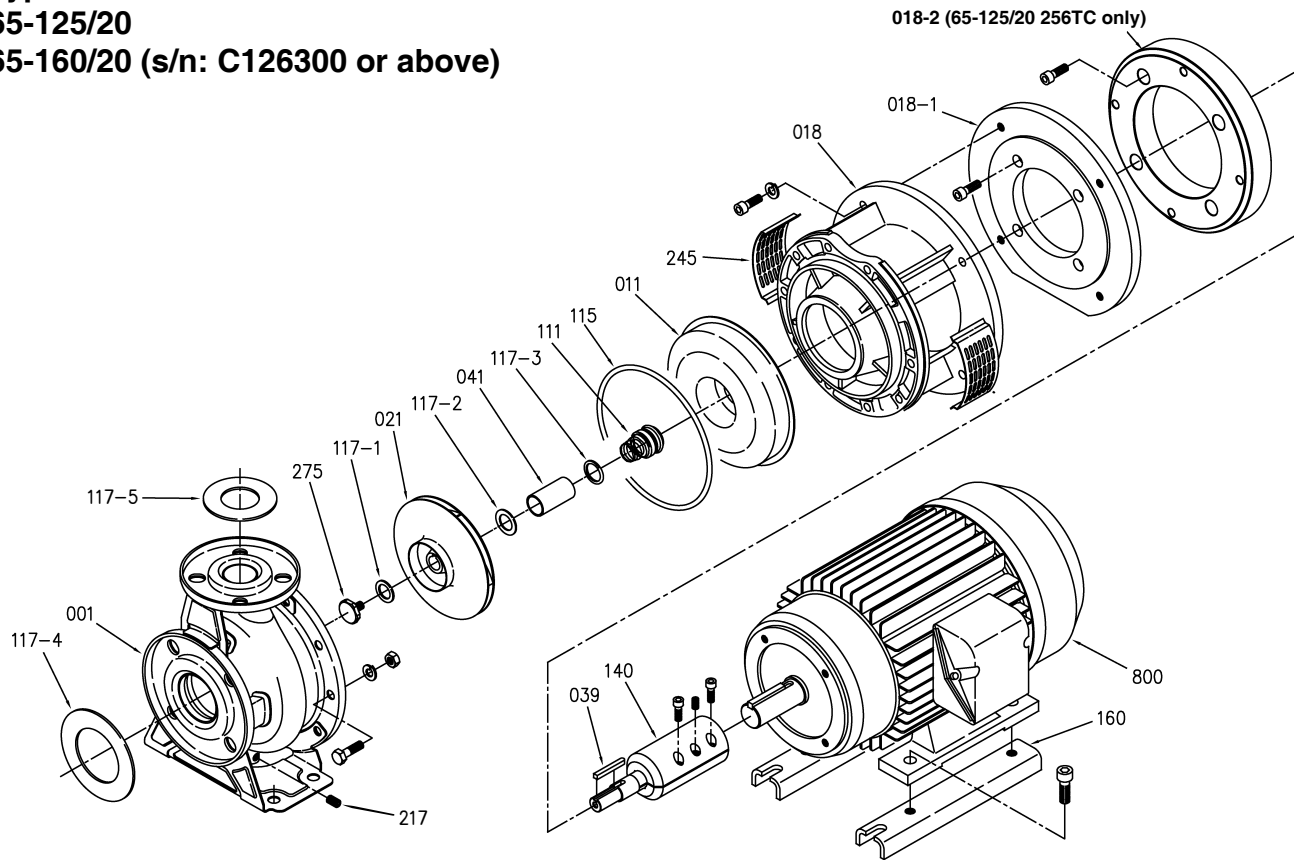


**Sectional View**

**3U Type 2**

**3U-65-125/20**

**3U-65-160/20 (s/n: C126300 or above)**



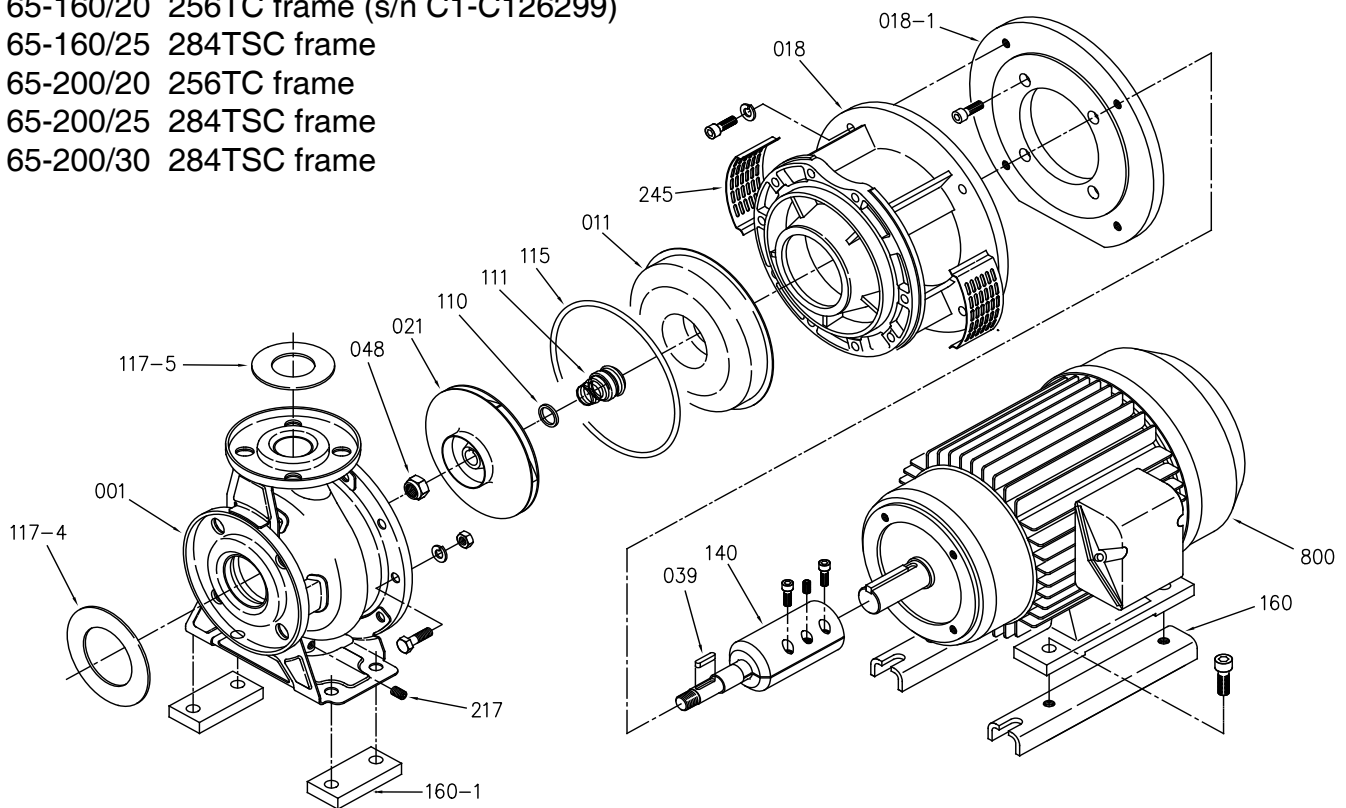
Part No.	Part Name	Materials	No. for 1 Unit
001	Casing	304L Stainless	1
011	Casing Cover	304L Stainless	1
018	Bracket	Cast Iron	1
018-1	Adapter Ring	Cast Iron	1
018-2	Adapter Ring (65-125 20hp only)	Cast Iron	1
021	Impeller	304L Stainless	1
039	Key	304L Stainless	1
041	Shaft Sleeve	304L Stainless	1
111	Mechanical Seal	varies by model	1
115	O-Ring	Viton/EPDM	1
117-1	Gasket	Nylon	1
117-2	Gasket	Nylon	1
117-3	Gasket	Nylon	1
117-4	Suction Flange Gasket	EPDM	2
117-5	Discharge Flange Gasket	NBR/EPDM	2
140	Coupling	304L Stainless	1
160	Motor Support	Steel	2
217	Drain Plug	304L Stainless	1
245	Coupling Guard	Stainless Steel	2
275	Impeller Bolt	304L Stainless	1
800	Motor	-	1



**Sectional View**

**Model 3U 65 Type 3**

- 3U 65-160/20 256TC frame (s/n C1-C126299)
- 3U 65-160/25 284TSC frame
- 3U 65-200/20 256TC frame
- 3U 65-200/25 284TSC frame
- 3U 65-200/30 284TSC frame



Part No.	Part Name	Materials	No. for 1 Unit
001	Casing	304L Stainless	1
011	Casing Cover	304L Stainless	1
018	Bracket	Cast Iron	1
018-1	Adapter Ring	Cast Iron	1
021	Impeller	304L Stainless	1
039	Key	304L Stainless	1
048	Impeller Nut	Stainless Steel	1
110	Lip Seal	304L Stainless	1
111	Mechanical Seal	varies by model	1
115	O-Ring	Viton/EPDM	1
117-4	Suction Flange Gasket	EPDM	2
117-5	Discharge Flange Gasket	NBR/EPDM	2
140	Coupling	304L Stainless	1
160	Motor Support	Steel	2
160-1	Casing Support	Steel	2
217	Drain Plug	304L Stainless	1
245	Coupling Guard	Stainless Steel	2
800	Motor	-	1

Pump will use either motor supports or casing supports, depending on model.

