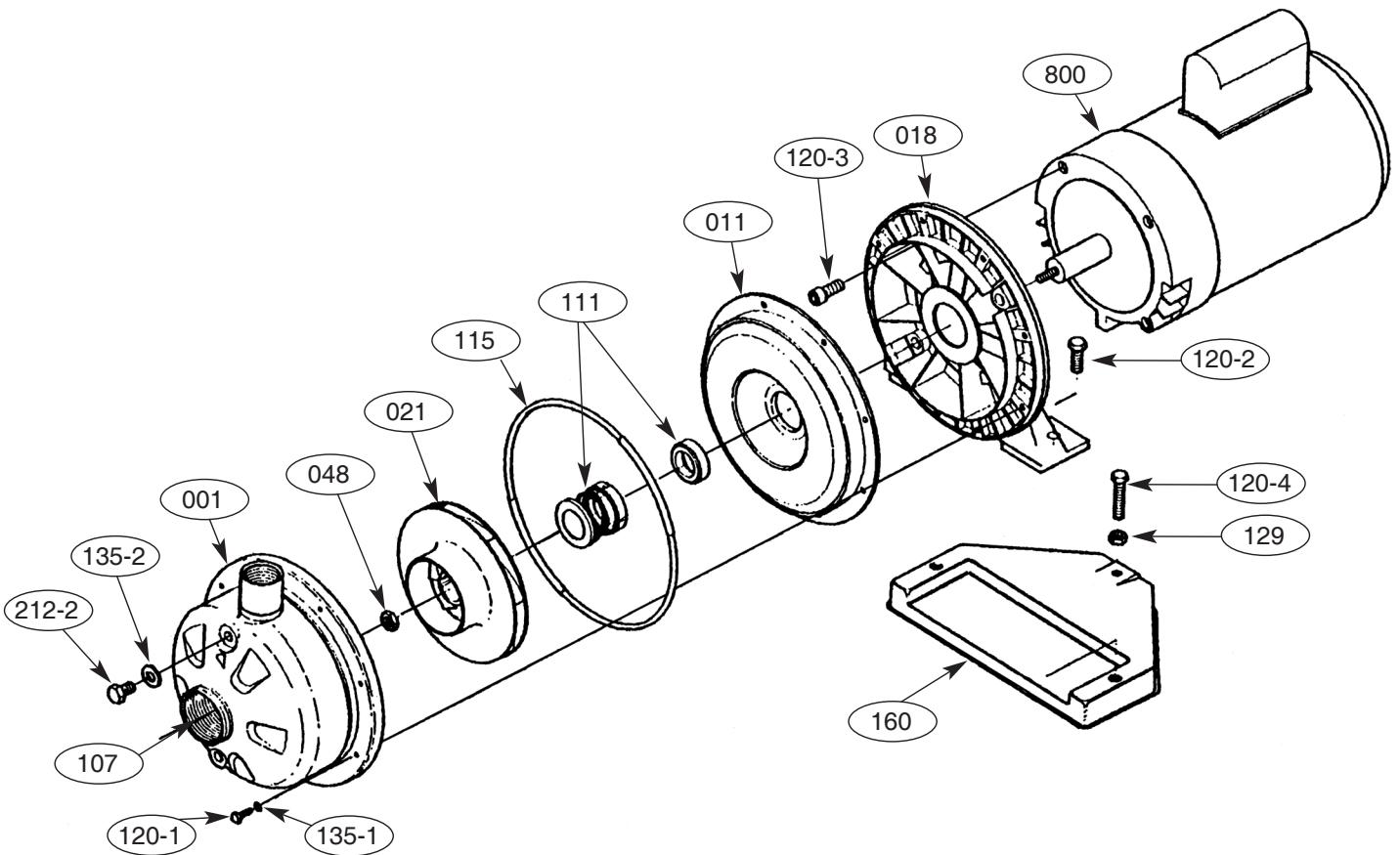

Stainless Steel Centrifugal Pumps

Model CDU / 2CDU



Parts Reference

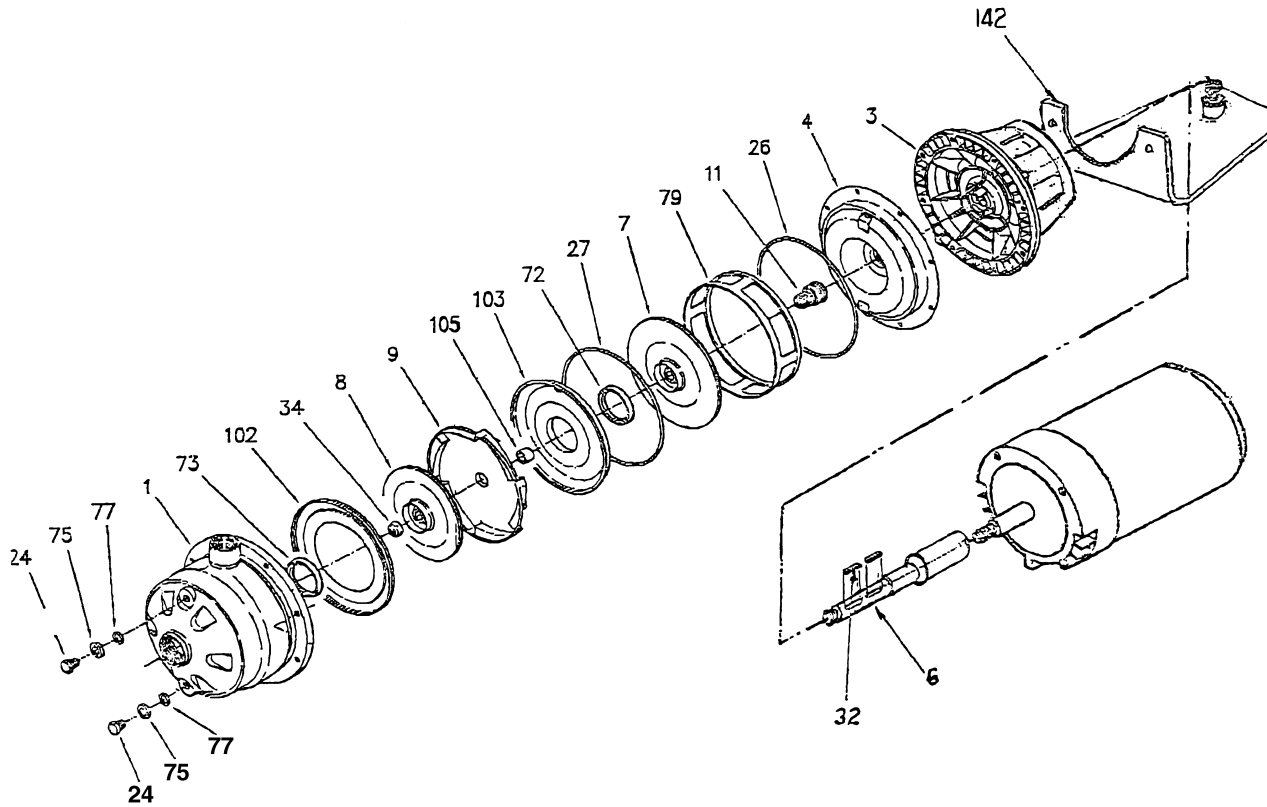
Exploded View



Part No.	Part Name	Material	No. for 1 Unit
001	Casing	304L Stainless	1
011	Casing cover	304L Stainless	1
018	Bracket	Aluminum	1
021	Impeller	304L Stainless	1
048	Impeller nut	304L Stainless	1
107	Casing ring	Viton	1
111	Mechanical Seal	-	1
115	O-Ring	304L Stainless	1
120-1	Bolt	304L Stainless	8
120-2	Bolt	304L Stainless	2
120-3	Bolt	304L Stainless	4
120-4	Bolt	304L Stainless	1
129	Nut	304L Stainless	1
135-1	Washer	304L Stainless	8
135-2	Washer	304L Stainless	2
160	Base	Steel	1
212-2	Plug	304L Stainless	2
800	Motor	-	1



Exploded View



Location No.	Part Name	Material	No. for 1 Unit
001	Casing	304 Stainless	1
003	Motor bracket	Cast Aluminum	1
004	Casing cover	304 Stainless	1
006	Shaft Extension	304 Stainless	1
007	Impeller	304 Stainless	1
008	Impeller	304 Stainless	1
009	Diffuser	304 Stainless	1
011	Mechanical Seal Type 21	Carbon/Ceramic	1
024	Priming plug/Drain plug	304 Stainless	2
026	O-Ring	Viton	1
027	O-Ring	Viton	1
032	Key	Stainless	2
034	Impeller nut	304 Stainless/Nylon	1
072	Casing ring	Viton	1
073	Casing ring	Viton	1
075	Washer	304 Stainless	2
077	O-Ring	Viton	2
079	Spacer diffuser	304 Stainless	1
102	Suction cover	304 Stainless	1
103	Conveyor cover	304 Stainless	1
105	Sleeve	304 Stainless	1
142	Base	Steel	1

