
Dry Pit Submersible Wastewater Pump with Anti-Clog Technology

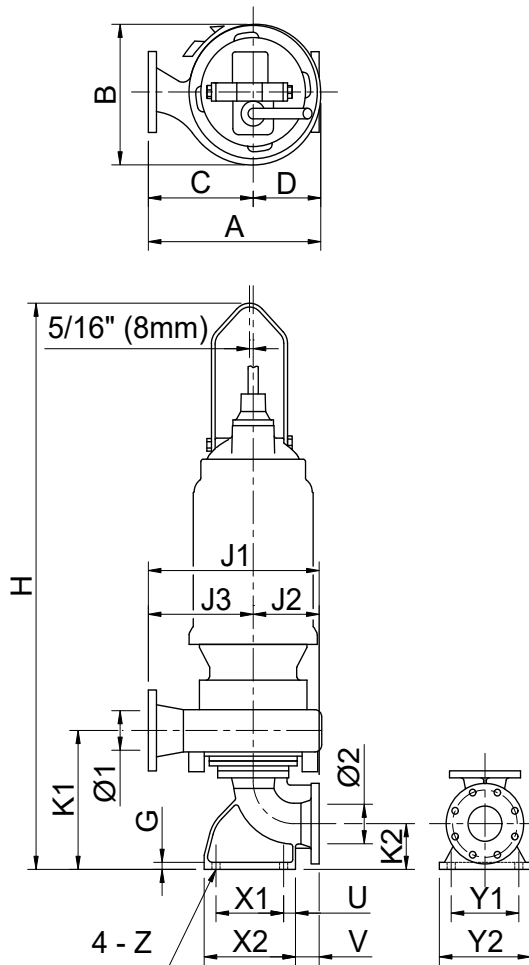


Model DDKEU
Model DDKEXU

Dimensions

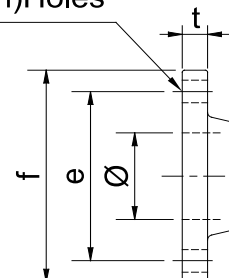
Dimensions

100DDKE(X)U, 7.5 to 60HP



Piping connection

(n)QTY-(h)Holes



■ DIMENSION: (Inch)

Dim.	Ø	e	f	t	n	h
Ø1	4	7 1/2	9 1/16	15/16	8	13/16
Ø2	6	9 1/2	11	1	8	7/8

■ DIMENSION: (mm)

Dim.	Ø	e	f	t	n	h
Ø1	100	190.5	230	24	8	20
Ø2	150	241	279	25.4	8	22.2

■ DIMENSION: (Inch)

■ WEIGHT: (lbs)

MODEL	OUTPUT		PUMP & MOTOR																	WEIGHT	
	kW	HP	A	B	C	D	G	H	J1	J2	J3	K1	K2	U	V	X1	X2	Y1	Y2		Z
100DDKE(X)U465.5	5.5	7.5	19 3/4	16 1/4	11 5/8	8 1/8	15/16	63 7/16	21 7/16	9 13/16	11 5/8	17 15/16	6 5/16	1 9/16	3 9/16	9 7/16	12 5/8	9 7/16	12 5/8	15/16	688
100DDKE(X)U467.5	7.5	10	19 3/4	16 1/4	11 5/8	8 1/8	15/16	63 7/16	21 7/16	9 13/16	11 5/8	17 15/16	6 5/16	1 9/16	3 9/16	9 7/16	12 5/8	9 7/16	12 5/8	15/16	695
100DDKE(X)U4611	11	15	20 1/4	16 1/8	12 1/16	8 3/16	15/16	64 15/16	21 15/16	9 13/16	12 1/16	17 15/16	6 5/16	1 9/16	3 9/16	9 7/16	12 5/8	9 7/16	12 5/8	15/16	803
100DDKE(X)U4615	15	20	20 3/4	17 3/16	12 3/16	8 1/2	15/16	69 1/16	22 1/16	9 13/16	12 3/16	17 15/16	6 5/16	1 9/16	3 9/16	9 7/16	12 5/8	9 7/16	12 5/8	15/16	905
100DDKE(X)U4618	18	25	21 3/4	17 7/8	12 7/8	8 7/8	15/16	70 3/16	22 3/4	9 13/16	12 7/8	17 15/16	6 5/16	1 9/16	3 9/16	9 7/16	12 5/8	9 7/16	12 5/8	15/16	1112
100DDKE(X)U4622	22	30	21 3/4	17 7/8	12 7/8	8 7/8	15/16	71 9/16	22 3/4	9 13/16	12 7/8	17 15/16	6 5/16	1 9/16	3 9/16	9 7/16	12 5/8	9 7/16	12 5/8	15/16	1158
100DDKE(X)U4630	30	40	24 3/8	17 7/8	14 13/16	9 9/16	15/16	80	24 5/8	9 13/16	14 13/16	19 5/16	6 5/16	1 9/16	3 9/16	9 7/16	12 5/8	9 7/16	12 5/8	15/16	1570
100DDKE(X)U4637	37	50	24 3/8	17 7/8	14 13/16	9 9/16	15/16	80	24 5/8	9 13/16	14 13/16	19 5/16	6 5/16	1 9/16	3 9/16	9 7/16	12 5/8	9 7/16	12 5/8	15/16	1597
100DDKE(X)U4645	45	60	24 3/8	17 7/8	14 13/16	9 9/16	15/16	83	24 5/8	9 13/16	14 13/16	19 5/16	6 5/16	1 9/16	3 9/16	9 7/16	12 5/8	9 7/16	12 5/8	15/16	1687

■ DIMENSION: (mm)

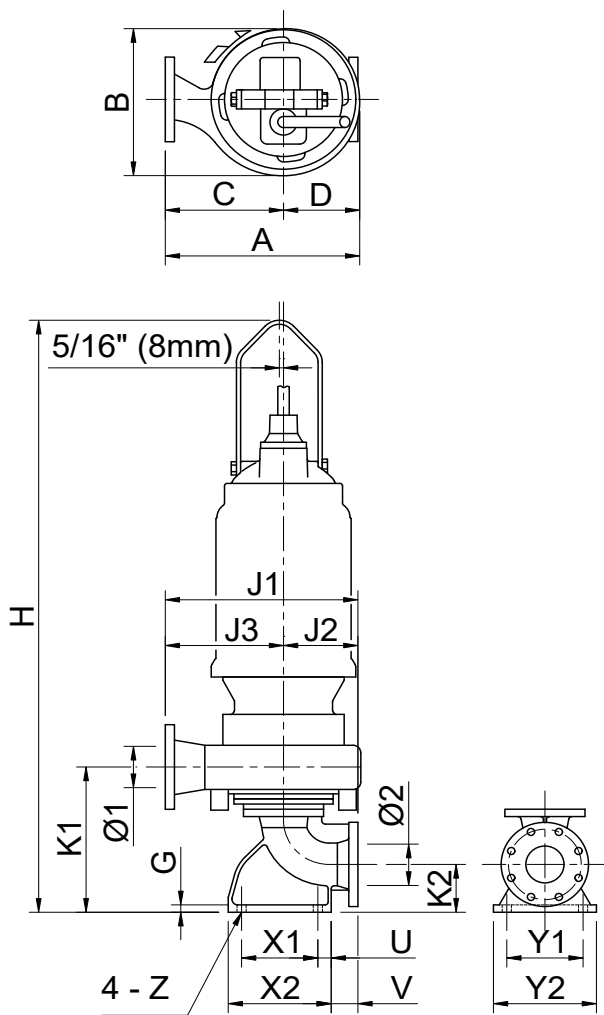
■ WEIGHT: (kg)

MODEL	OUTPUT		PUMP & MOTOR																	WEIGHT	
	kW	HP	A	B	C	D	G	H	J1	J2	J3	K1	K2	U	V	X1	X2	Y1	Y2		Z
100DDKE(X)U465.5	5.5	7.5	501.5	412.9	295	206.5	24	1611	545	250	295	455	160	40	90	240	320	240	320	24	312
100DDKE(X)U467.5	7.5	10	501.5	412.9	295	206.5	24	1611	545	250	295	455	160	40	90	240	320	240	320	24	315
100DDKE(X)U4611	11	15	514.3	410	307	207.3	24	1649	557	250	307	455	160	40	90	240	320	240	320	24	364
100DDKE(X)U4615	15	20	526.4	436.8	310	216.4	24	1755	560	250	310	456	160	40	90	240	320	240	320	24	410
100DDKE(X)U4618	18	25	553.1	454.5	327.5	225.6	24	1783	577.5	250	327.5	456	160	40	90	240	320	240	320	24	504
100DDKE(X)U4622	22	30	553.1	454.5	327.5	225.6	24	1818	577.5	250	327.5	456	160	40	90	240	320	240	320	24	525
100DDKE(X)U4630	30	40	619	454	376	243	24	2032	626	250	376	491	160	40	90	240	320	240	320	24	712
100DDKE(X)U4637	37	50	619	454	376	243	24	2032	626	250	376	491	160	40	90	240	320	240	320	24	724
100DDKE(X)U4645	45	60	619	454	376	243	24	2108	626	250	376	491	160	40	90	240	320	240	320	24	765



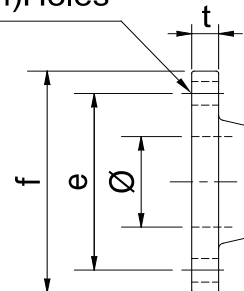
Dimensions

100DDKEB(X)U, 15 to 30HP



Piping connection

(n)QTY-(h)Holes



■ DIMENSION: (Inch)

Dim.	Ø	e	f	t	n	h
Ø1	4	7 1/2	9 1/16	15/16	8	13/16
Ø2	4	7 1/2	9	15/16	8	3/4

■ DIMENSION: (mm)

Dim.	Ø	e	f	t	n	h
Ø1	100	190.5	230	24	8	20
Ø2	100	191	229	23.8	8	19

■ DIMENSION: (Inch)

■ WEIGHT: (lbs)

MODEL	OUTPUT		PUMP & MOTOR																	WEIGHT	
	kW	HP	A	B	C	D	G	H	J1	J2	J3	K1	K2	U	V	X1	X2	Y1	Y2		Z
100DDKEB(X)U4611	11	15	20 3/16	16 1/16	12 3/16	8	13/16	63 5/16	19 7/8	7 11/16	12 3/16	15 9/16	5 1/8	1 3/8	2 3/4	7 7/8	10 5/8	7 7/8	10 5/8	15/16	810
100DDKEB(X)U4615	15	20	20 3/16	16 1/16	12 3/16	8	13/16	67	19 7/8	7 11/16	12 3/16	15 9/16	5 1/8	1 3/8	2 3/4	7 7/8	10 5/8	7 7/8	10 5/8	15/16	882
100DDKEB(X)U4618	18	25	21 1/4	16 15/16	12 13/16	8 7/16	13/16	67 1/2	20 1/2	7 11/16	12 13/16	15 9/16	5 1/8	1 3/8	2 3/4	7 7/8	10 5/8	7 7/8	10 5/8	15/16	1081
100DDKEB(X)U4622	22	30	21 1/4	16 15/16	12 13/16	8 7/16	13/16	68 7/8	20 1/2	7 11/16	12 13/16	15 9/16	5 1/8	1 3/8	2 3/4	7 7/8	10 5/8	7 7/8	10 5/8	15/16	1127

■ DIMENSION: (mm)

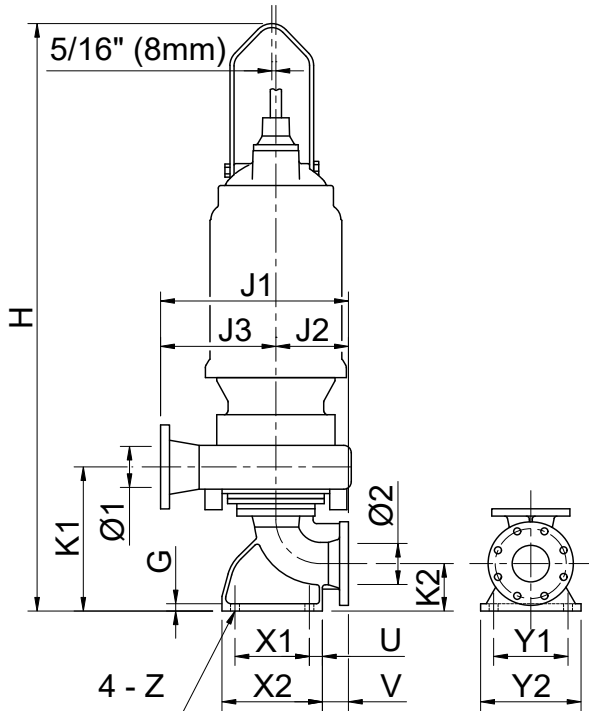
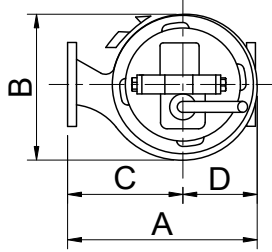
■ WEIGHT: (kg)

MODEL	OUTPUT		PUMP & MOTOR																	WEIGHT	
	kW	HP	A	B	C	D	G	H	J1	J2	J3	K1	K2	U	V	X1	X2	Y1	Y2		Z
100DDKEB(X)U4611	11	15	513	408	310	203	20	1609	505	195	310	395	130	35	70	200	270	200	270	24	367
100DDKEB(X)U4615	15	20	513	408	310	203	20	1702	505	195	310	395	130	35	70	200	270	200	270	24	400
100DDKEB(X)U4618	18	25	540	430	325	215	20	1715	520	195	325	395	130	35	70	200	270	200	270	24	490
100DDKEB(X)U4622	22	30	540	430	325	215	20	1750	520	195	325	395	130	35	70	200	270	200	270	24	511



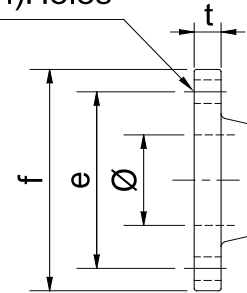
Dimensions

150DDKE(X)U, 10 to 60HP



Piping connection

(n)QTY-(h)Holes



■ DIMENSION: (Inch)

Dim.	Ø	e	f	t	n	h
Ø1	6	9 1/2	11	1	8	7/8
Ø2	8	11 3/4	13 1/2	1 1/8	8	7/8

■ DIMENSION: (mm)

Dim.	Ø	e	f	t	n	h
Ø1	150	241.3	280	26	8	23
Ø2	200	299	343	28.6	8	22.2

■ DIMENSION: (Inch)

■ WEIGHT: (lbs)

MODEL	OUTPUT		PUMP & MOTOR																	WEIGHT	
	kW	HP	A	B	C	D	G	H	J1	J2	J3	K1	K2	U	V	X1	X2	Y1	Y2		Z
150DDKE(X)U467.5	7.5	10	20 11/16	16 3/8	12 1/2	8 1/4	1 1/8	68 5/16	24 5/16	11 13/16	12 1/2	23 5/16	7 7/8	2 3/8	4 1/2	11 7/16	16 1/8	11 7/16	16 1/8	1 3/8	816
150DDKE(X)U4611	11	15	20 11/16	16 3/8	12 1/2	8 1/4	1 1/8	69 3/4	24 5/16	11 13/16	12 1/2	23 5/16	7 7/8	2 3/8	4 1/2	11 7/16	16 1/8	11 7/16	16 1/8	1 3/8	924
150DDKE(X)U4615	15	20	22 5/16	18 13/16	12 3/4	9 9/16	1 1/8	74	24 9/16	11 13/16	12 3/4	22 15/16	7 7/8	2 3/8	4 1/2	11 7/16	16 1/8	11 7/16	16 1/8	1 3/8	1037
150DDKE(X)U4618	18	25	22 5/16	18 13/16	12 3/4	9 9/16	1 1/8	74	24 9/16	11 13/16	12 3/4	22 15/16	7 7/8	2 3/8	4 1/2	11 7/16	16 1/8	11 7/16	16 1/8	1 3/8	1196
150DDKE(X)U4622	22	30	23 1/8	18 7/8	13 9/16	9 5/8	1 1/8	76 1/8	25 3/8	11 13/16	13 9/16	23 1/2	7 7/8	2 3/8	4 1/2	11 7/16	16 1/8	11 7/16	16 1/8	1 3/8	1242
150DDKE(X)U4630	30	40	26 5/16	20 9/16	15 15/16	10 3/8	1 1/8	83	27 3/4	11 13/16	15 15/16	24 1/8	7 7/8	2 3/8	4 1/2	11 7/16	16 1/8	11 7/16	16 1/8	1 3/8	1630
150DDKE(X)U4637	37	50	26 5/16	20 9/16	15 15/16	10 3/8	1 1/8	83	27 3/4	11 13/16	15 15/16	24 1/8	7 7/8	2 3/8	4 1/2	11 7/16	16 1/8	11 7/16	16 1/8	1 3/8	1656
150DDKE(X)U4645	45	60	26 5/16	20 9/16	15 15/16	10 3/8	1 1/8	85 9/16	27 3/4	11 13/16	15 15/16	24 1/8	7 7/8	2 3/8	4 1/2	11 7/16	16 1/8	11 7/16	16 1/8	1 3/8	1747

■ DIMENSION: (mm)

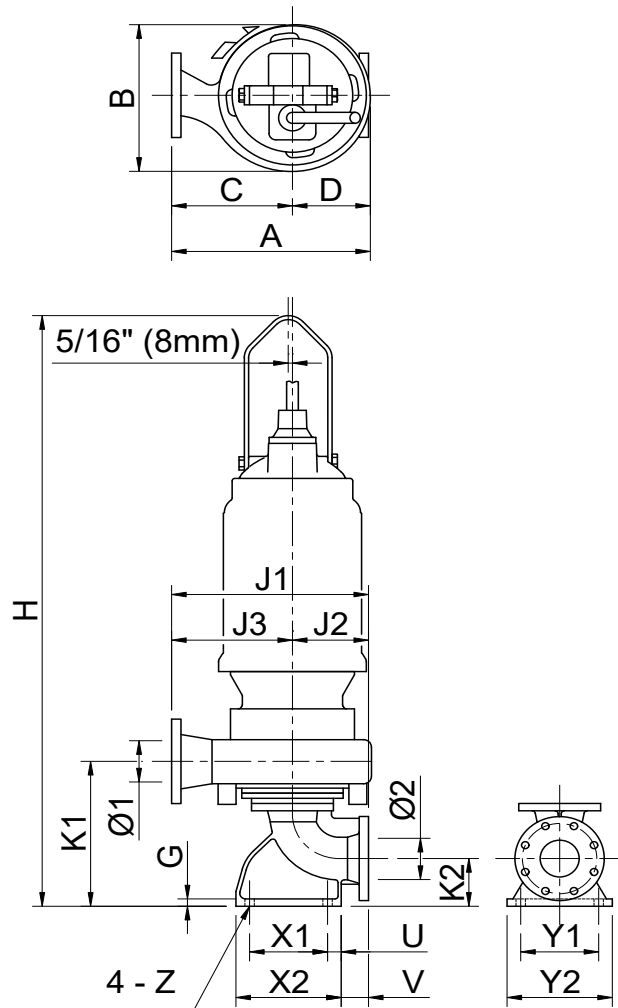
■ WEIGHT: (kg)

MODEL	OUTPUT		PUMP & MOTOR																	WEIGHT	
	kW	HP	A	B	C	D	G	H	J1	J2	J3	K1	K2	U	V	X1	X2	Y1	Y2		Z
150DDKE(X)U467.5	7.5	10	526.2	416.5	317	209.2	28	1735	617	300	317	592	200	60	115	290	410	290	410	35	370
150DDKE(X)U4611	11	15	526.2	416.5	317	209.2	28	1771	617	300	317	592	200	60	115	290	410	290	410	35	419
150DDKE(X)U4615	15	20	566.2	477.6	324	242.2	28	1879	624	300	324	583	200	60	115	290	410	290	410	35	470
150DDKE(X)U4618	18	25	566.2	477.6	324	242.2	28	1879	624	300	324	583	200	60	115	290	410	290	410	35	542
150DDKE(X)U4622	22	30	588	479	344	244	28	1933	644	300	344	597	200	60	115	290	410	290	410	35	563
150DDKE(X)U4630	30	40	667.8	522	405	262.8	28	2109	705	300	405	613	200	60	115	290	410	290	410	35	739
150DDKE(X)U4637	37	50	667.8	522	405	262.8	28	2109	705	300	405	613	200	60	115	290	410	290	410	35	751
150DDKE(X)U4645	45	60	667.8	522	405	262.8	28	2174	705	300	405	613	200	60	115	290	410	290	410	35	792



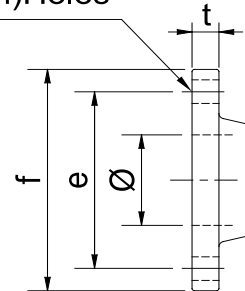
Dimensions

150DDKEB(X)U, 40 to 60HP



Piping connection

(n)QTY-(h)Holes



■ DIMENSION: (Inch)

Dim.	Ø	e	f	t	n	h
Ø1	6	9 1/2	11	1	8	7/8
Ø2	8	11 3/4	13 1/2	1 1/8	8	7/8

■ DIMENSION: (mm)

Dim.	Ø	e	f	t	n	h
Ø1	150	241.3	280	26	8	23
Ø2	200	299	343	28.6	8	22.2

■ DIMENSION: (Inch)

■ WEIGHT: (lbs)

MODEL	OUTPUT		PUMP & MOTOR																	WEIGHT	
	kW	HP	A	B	C	D	G	H	J1	J2	J3	K1	K2	U	V	X1	X2	Y1	Y2		Z
150DDKEB(X)U4630	30	40	25 1/4	18 9/16	15 15/16	9 5/16	1 1/8	81 5/16	27 3/4	11 13/16	15 15/16	24 3/16	7 7/8	2 3/8	4 1/2	11 7/16	16 1/8	11 7/16	16 1/8	1 3/8	1619
150DDKEB(X)U4637	37	50	25 1/4	18 9/16	15 15/16	9 5/16	1 1/8	81 5/16	27 3/4	11 13/16	15 15/16	24 3/16	7 7/8	2 3/8	4 1/2	11 7/16	16 1/8	11 7/16	16 1/8	1 3/8	1645
150DDKEB(X)U4645	45	60	25 1/4	18 9/16	15 15/16	9 5/16	1 1/8	83 7/8	27 3/4	11 13/16	15 15/16	24 3/16	7 7/8	2 3/8	4 1/2	11 7/16	16 1/8	11 7/16	16 1/8	1 3/8	1736

■ DIMENSION: (mm)

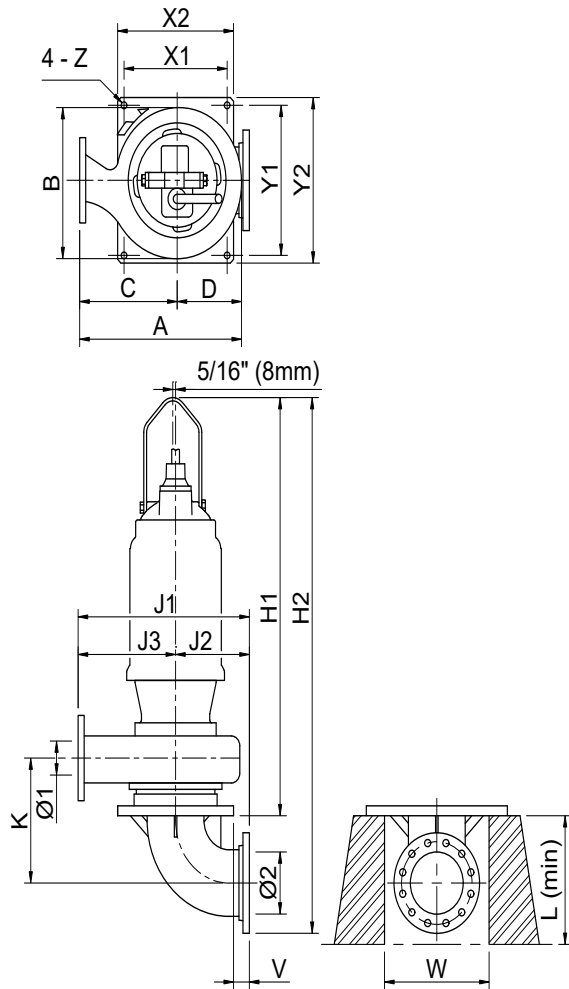
■ WEIGHT: (kg)

MODEL	OUTPUT		PUMP & MOTOR																	WEIGHT	
	kW	HP	A	B	C	D	G	H	J1	J2	J3	K1	K2	U	V	X1	X2	Y1	Y2		Z
150DDKEB(X)U4630	30	40	640.9	471	405	235.9	28	2066	705	300	405	615	200	60	115	290	410	290	410	35	734
150DDKEB(X)U4637	37	50	640.9	471	405	235.9	28	2066	705	300	405	615	200	60	115	290	410	290	410	35	746
150DDKEB(X)U4645	45	60	640.9	471	405	235.9	28	2131	705	300	405	615	200	60	115	290	410	290	410	35	787

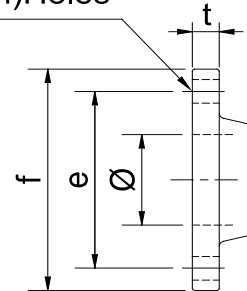


Dimensions

200DKE(X)U, 40 to 60HP



Piping connection
(n)QTY-(h)Holes



■ DIMENSION: (Inch)

Dim.	Ø	e	f	t	n	h
Ø1	8	11 3/4	13 9/16	1 1/8	8	7/8
Ø2	10	14 1/4	16	1 3/16	12	1

■ DIMENSION: (mm)

Dim.	Ø	e	f	t	n	h
Ø1	200	298.4	345	29	8	23
Ø2	250	362	406.4	30.3	12	26

■ DIMENSION: (Inch)

■ WEIGHT: (lbs)

MODEL	OUTPUT		PUMP & MOTOR																	WEIGHT	
	kW	HP	A	B	C	D	H1	H2	J1	J2	J3	K	L	W	V	X1	X2	Y1	Y2		Z
200DDKE(X)U4630	30	40	30 3/16	23 11/16	18 3/16	12	66 9/16	77 1/4	32	13 3/4	18 3/16	10 11/16	19 11/16	17 11/16	2 15/16	19 11/16	21 5/8	23 5/8	25 9/16	7/8	1864
200DDKE(X)U4637	37	50	30 3/16	23 11/16	18 3/16	12	66 9/16	77 1/4	32	13 3/4	18 3/16	10 11/16	19 11/16	17 11/16	2 15/16	19 11/16	21 5/8	23 5/8	25 9/16	7/8	1890
200DDKE(X)U4645	45	60	30 3/16	23 11/16	18 3/16	12	69 1/8	79 13/16	32	13 3/4	18 3/16	10 11/16	19 11/16	17 11/16	2 15/16	19 11/16	21 5/8	23 5/8	25 9/16	7/8	1981

■ DIMENSION: (mm)

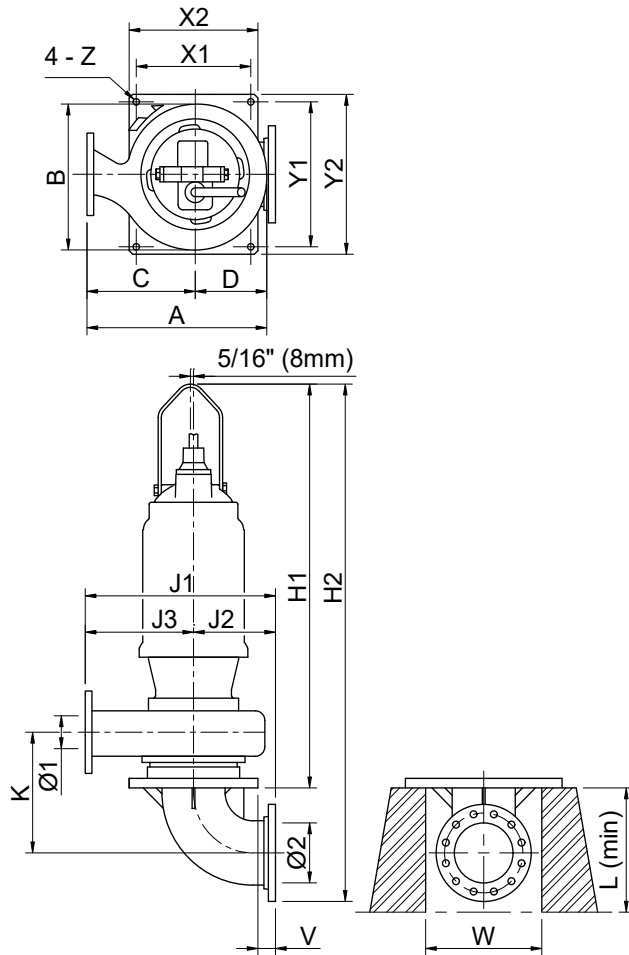
■ WEIGHT: (kg)

MODEL	OUTPUT		PUMP & MOTOR																	WEIGHT	
	kW	HP	A	B	C	D	H1	H2	J1	J2	J3	K	L	W	V	X1	X2	Y1	Y2		Z
200DDKE(X)U4630	30	40	767	602	463	305	1691	1963	813	350	463	272	500	450	75	500	550	600	650	23	845
200DDKE(X)U4637	37	50	767	602	463	305	1691	1963	813	350	463	272	500	450	75	500	550	600	650	23	857
200DDKE(X)U4645	45	60	767	602	463	305	1756	2028	813	350	463	272	500	450	75	500	550	600	650	23	898



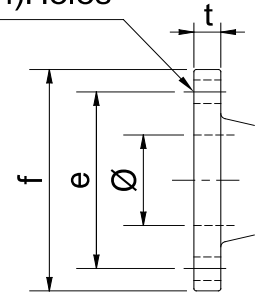
Dimensions

250DDKE(X)U, 40 to 60HP



Piping connection

(n)QTY-(h)Holes



■ DIMENSION: (Inch)

Dim.	Ø	e	f	t	n	h
Ø1	10	14 1/4	15 15/16	1 1/4	12	1
Ø2	12	17	19	1 1/4	12	1

■ DIMENSION: (mm)

Dim.	Ø	e	f	t	n	h
Ø1	250	362	405	31	12	26
Ø2	300	431.8	482.6	31.8	12	26

■ DIMENSION: (Inch)

■ WEIGHT: (lbs)

MODEL	OUTPUT		PUMP & MOTOR																	WEIGHT	
	kW	HP	A	B	C	D	H1	H2	J1	J2	J3	K	L	W	V	X1	X2	Y1	Y2		Z
250DDKE(X)U4630	30	40	33 7/16	27 1/4	19 11/16	13 3/4	66 3/16	78 7/8	35 7/16	15 3/4	19 11/16	12 11/16	23 5/8	20 1/2	3 15/16	21 5/8	23 5/8	26 3/8	28 3/8	7/8	1906
250DDKE(X)U4637	37	50	33 7/16	27 1/4	19 11/16	13 3/4	66 3/16	78 7/8	35 7/16	15 3/4	19 11/16	12 11/16	23 5/8	20 1/2	3 15/16	21 5/8	23 5/8	26 3/8	28 3/8	7/8	1934
250DDKE(X)U4645	45	60	33 7/16	27 1/4	19 11/16	13 3/4	68 3/4	81 7/16	35 7/16	15 3/4	19 11/16	12 11/16	23 5/8	20 1/2	3 15/16	21 5/8	23 5/8	26 3/8	28 3/8	7/8	2014

■ DIMENSION: (mm)

■ WEIGHT: (kg)

MODEL	OUTPUT		PUMP & MOTOR																	WEIGHT	
	kW	HP	A	B	C	D	H1	H2	J1	J2	J3	K	L	W	V	X1	X2	Y1	Y2		Z
250DDKE(X)U4630	30	40	850	693	500	350	1682	2004	900	400	500	322	600	520	100	550	600	670	720	23	864
250DDKE(X)U4637	37	50	850	693	500	350	1682	2004	900	400	500	322	600	520	100	550	600	670	720	23	877
250DDKE(X)U4645	45	60	850	693	500	350	1747	2069	900	400	500	322	600	520	100	550	600	670	720	23	913

