

# Model DGUII/DGFU



Parts Reference

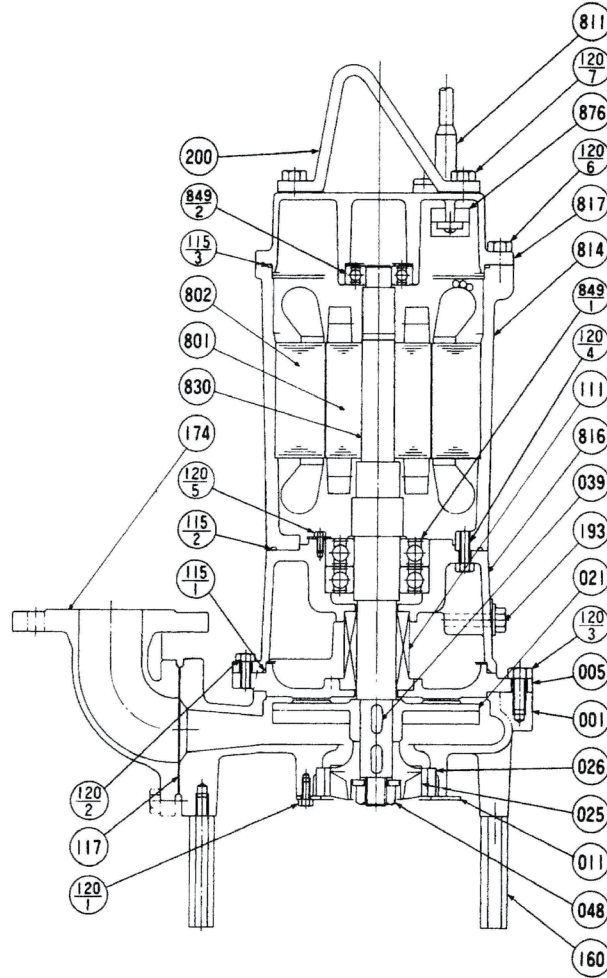


**EBARA**

EBARA Pumps Americas Corporation

**Sectional View**

**Single Phase  
32DGUII**



Part No.	Part Name	Material	ASTM, AISI Code	No. For 1 Unit
001	Casing	Cast Iron	A48 Class 30	1
005	Intermediate Casing	Cast Iron	A48 Class 30	1
011	Disk Cover	304 Stainless	AISI304	1
†021	Impeller	Cast iron	A48 Class 30	1
†025	Grinder Impeller	440C Stainless		1
†026	Cutter Ring	440C Stainless		1
039	Key	420 Stainless	AISI420	2
048	Impeller Nut	304 Stainless	AISI304	1
†111	Mechanical Seal	-		1 SET
†115-1	O-Ring	Rubber (NBR)		1
†115-2	O-Ring	Rubber (NBR)		1
†115-3	O-Ring	Rubber (NBR)		1
†117	Gasket			1
120-1	Bolt	304 Stainless	AISI304	4
120-2	Bolt	304 Stainless	AISI304	4
120-3	Bolt	304 Stainless	AISI304	4
120-4	Bolt	304 Stainless	AISI304	4

Part No.	Part Name	Material	ASTM, AISI, Code	No. For 1 Unit
120-5	Bolt	304 Stianless	AISI304	2
120-6	Bolt	304 Stainless	AISI304	4
120-7	Bolt	304 Stainless	AISI304	2
160	Pump Stand	Steel	A283 Grade D	3
174	Discharge Elbow	Cast Iron	A48 Class 30	1
193	Oil Plug	304 Stainless	AISI304	1
200	Liftnig Hanger	Steel	A283 Grade D	1
801	Rotor	-		1
802	Stator	-		1
†811	Submersible Cable	-		1
814	Motor Frame	Cast Iron	A48 Class 30	1
816	Bracket	Cast Iron	A48 Class 30	1
817	Bracket	Cast Iron	A48 Class 30	1
830	Shaft	403 Stainless	AISI 403	1
†849-1	Ball Bearing	-		1
†849-2	Ball Bearing	-		1
876	Motor Protector	-		1

Motors are purchased as a complete unit  
†: REcommended spare parts

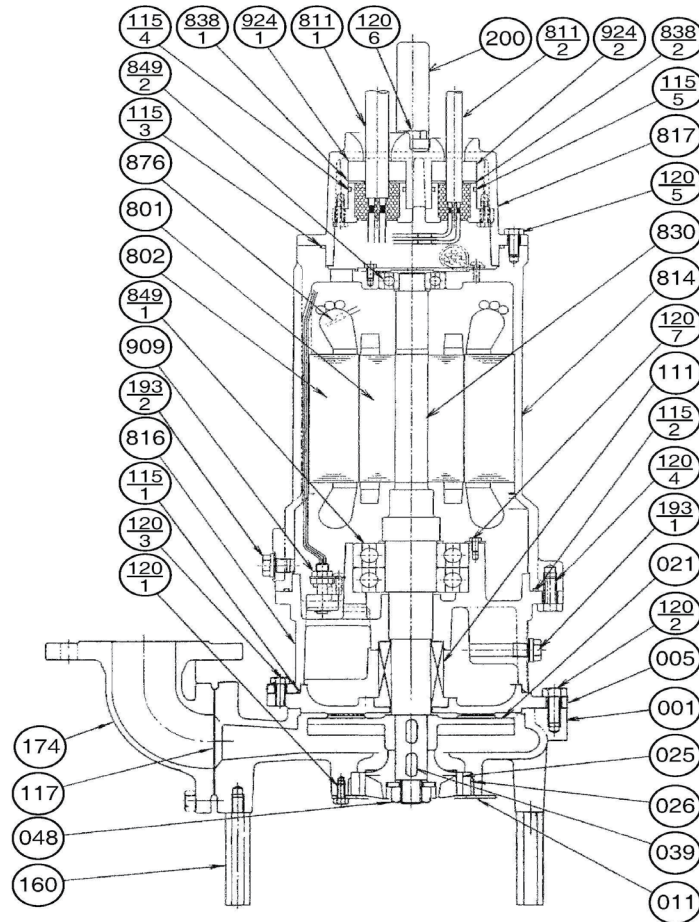


**Sectional View**

**Single and Three Phase**

32DGFU, 2HP

50DGFU 3 to 5HP



Part No.	Part Name	Material	ASTM, AISI Code	No. For 1 Unit
001	Casing	Cast Iron	A48 Class 30	1
005	Intermediate Casing	Cast Iron	A48 Class 30	1
011	Disk Cover	304 Stainless	AISI304	1
†021	Impeller	Cast iron	A48 Class 30	1
†025	Grinder Impeller	440C Stainless		1
†026	Cutter Ring	440C Stainless		1
039	Key	420 Stainless	AISI420	2
048	Impeller Nut	304 Stainless	AISI304	1
†111	Mechanical Seal	-		1 SET
†115-1	O-Ring	Rubber (NBR)		1
†115-2	O-Ring	Rubber (NBR)		1
†115-3	O-Ring	Rubber (NBR)		1
†115-4	O-Ring	Rubber (NBR)		
†115-5	O-Ring	Rubber (NBR)		
†117	Gasket			1
120-1	Bolt	304 Stainless	AISI304	4
120-2	Bolt	304 Stainless	AISI304	4
120-3	Bolt	304 Stainless	AISI304	4
120-4	Bolt	304 Stainless	AISI304	4
120-5	Bolt	304 Stainless	AISI304	4
120-6	Bolt	304 Stainless	AISI304	2
120-7	Bolt	304 Stainless	AISI304	3

Part No.	Part Name	Material	ASTM, AISI Code	No. For 1 Unit
160	Pump Stand	Steel	A283 Grade D	3
174	Discharge Elbow	Cast Iron	A48 Class 30	1
193-1	Oil Plug	304 Stainless	AISI304	1
193-2	Oil Plug	304 Stainless	AISI304	1
200	Liftnng Hanger	Steel	A283 Grade D	1
801	Rotor	-		1
802	Stator	-		1
811-1	Power Cable	-		1
811-2	Control Cable	-		1
814	Motor Frame	Cast Iron	A48 Class 30	1
816	Bracket	Cast Iron	A48 Class 30	1
817	Bracket	Cast Iron	A48 Class 30	1
830	Shaft	403 Stainless	AISI 403	1
838-1	Washer	304 Stainless	AISI304	1
838-2	Washer	304 Stainless	AISI304	1
†849-1	Ball Bearing	-		1 SET
†849-2	Ball Bearing	-		1
876	Motor Protector	-		3
909	Leakage Detector	-		1
924-1	Packing	Rubber (NBR)		1
924-2	Packing	Rubber (NBR)		1

