

Contents

Model

- LM50
- LM65
- LM80
- LL80
- LL100
- LL125
- LL150
- LL250U
- LL300U
- LL150YU
- LL200YU
- LL250YU
- LL300YU

| Section | Page |
|------------------|-------------|
| Specifications | 2-279 |
| Outline Drawings | 2-280 |
| Sectional View | 2-286 |



Specifications

A. General:

The guide rail system design shall be such that the pump will be automatically connected to the discharge piping when lowered into place on the discharge connection. The pump shall be easily removable for inspection or service, requiring no bolts, nuts, or other fasteners to be disconnected, or the need for personnel to enter the wet well.

B. Guide Rail system:

Design shall include two (2) 304SS schedule 40 guide rails sized to mount directly to the quick discharge connector, QDC, at the floor of the wetwell and to a guide rail bracket at the top of the wetwell below the hatch opening, (refer to project drawings).

Intermediate guide brackets are recommended for rail lengths over 15 feet. Guide rails are not part of the pump package and shall be supplied by others.

The QDC shall be manufactured of cast iron, ASTM A48 Class 30. It shall be designed to adequately support the guide rails, discharge piping, and pumping unit under both static and dynamic loading conditions with support legs that are suitable for anchoring it to the wetwell floor.

The face of the inlet QDC flange shall be perpendicular to the floor of the wetwell.

The pump design shall include an integral self-aligning sliding bracket.

Sealing of the pumping unit to the QDC shall be accomplished by a single, linear, downward motion of the pump.

The entire weight of the pump unit shall be guided to and wedged tightly against the inlet flange of the QDC, making metal to metal contact with the pump discharge forming a seal without the use of bolts, gaskets or O-rings.

A stainless steel lifting chain of adequate length for removing and installing the pump unit is recommended. The chain shall have a round link with a 2-¹/₄" inside diameter every two feet. This link will allow for a sliding pinch bar through the link to pick the chain, more than once if necessary, at multiple intervals during pump removal and installation.

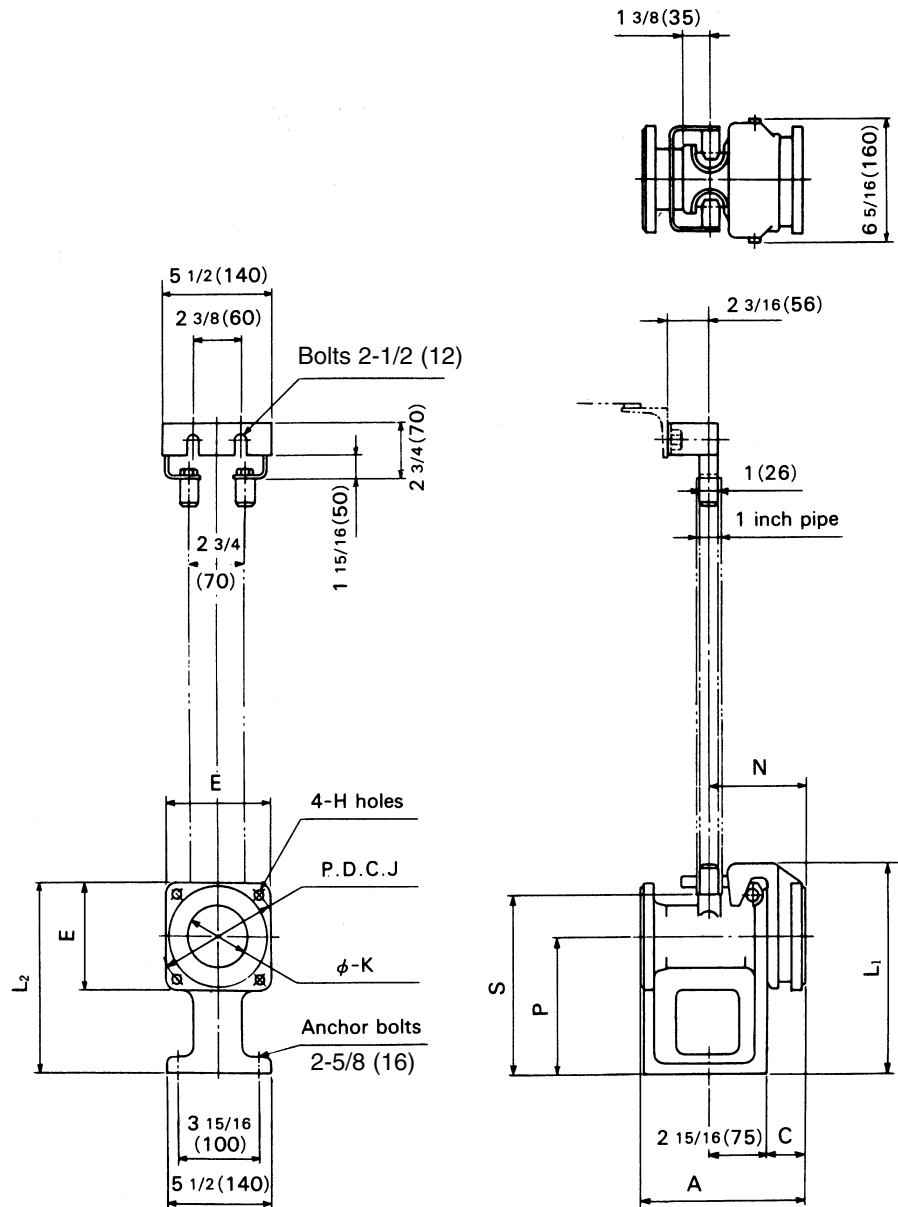


Dimensions

Project: _____ Model: _____ Chk'd: _____ Date: _____

Models LM50, LM65 LM80

- 50DLU, 1 to 2HP
- 80DLU, 2HP
- 80DLMU, 2 to 5HP
- 100DLU, 2 to 5HP
- 50DVU, 1 to 3HP
- 80DVU, 2 to 5HP
- 80DVCU, 3 to 5HP
- 80DVBU, 3 to 5HP
- 32DGUII, 2HP
- 32DGFU, 2HP
- 50DGFU, 3 to 5HP
- 50DLFU, 2HP
- 80DLFU, 2HP
- 80DLMFU, 2 TO 7½HP
- 100 DLFU, 2 to 5HP
- 50DVFU, 2 to 3HP
- 80DVFU, 2HP
- 80DVCFU, 3 to 5HP
- 80DVBFU, 3 to 5HP
- 80DVFU, 7½HP



Dimensions: inch

| MODEL | A | C | E | H | J | K | L ₁ | L ₂ | N | P | S | WEIGHT Lb |
|-------|---------------------------------|---------------------------------|--------------------------------|--------------------------------|-------------------------------|-------------------------------|---------------------------------|-------------------------------|---------------------------------|---------------------------------|--------------------------------|-----------|
| LM50 | 7 ¹¹ / ₁₆ | 1 ⁹ / ₁₆ | 4 ⁵ / ₁₆ | ½ | 4 ³ / ₄ | 2 | 8 ¹ / ₄ | 7 ¹ / ₂ | 4 ¹ / ₂ | 5 ⁵ / ₁₆ | 6 ¹ / ₂ | 24 |
| LM65 | 8 ⁷ / ₁₆ | 1 ³ / ₄ | 5 ¹ / ₈ | ½ | 5 ¹ / ₂ | 2 ¹ / ₂ | 9 ¹ / ₁₆ | 8 ¹ / ₄ | 4 ³ / ₄ | 5 ¹¹ / ₁₆ | 7 ¹ / ₂ | 31 |
| LM80 | 8 ⁷ / ₁₆ | 1 ¹⁵ / ₁₆ | 5 ¹ / ₂ | 9 ¹ / ₁₆ | 6 ¹ / ₈ | 3 | 10 ⁵ / ₁₆ | 9 ⁵ / ₈ | 4 ¹⁵ / ₁₆ | 6 ⁷ / ₈ | 9 ¹ / ₁₆ | 37 |

Dimensions: mm

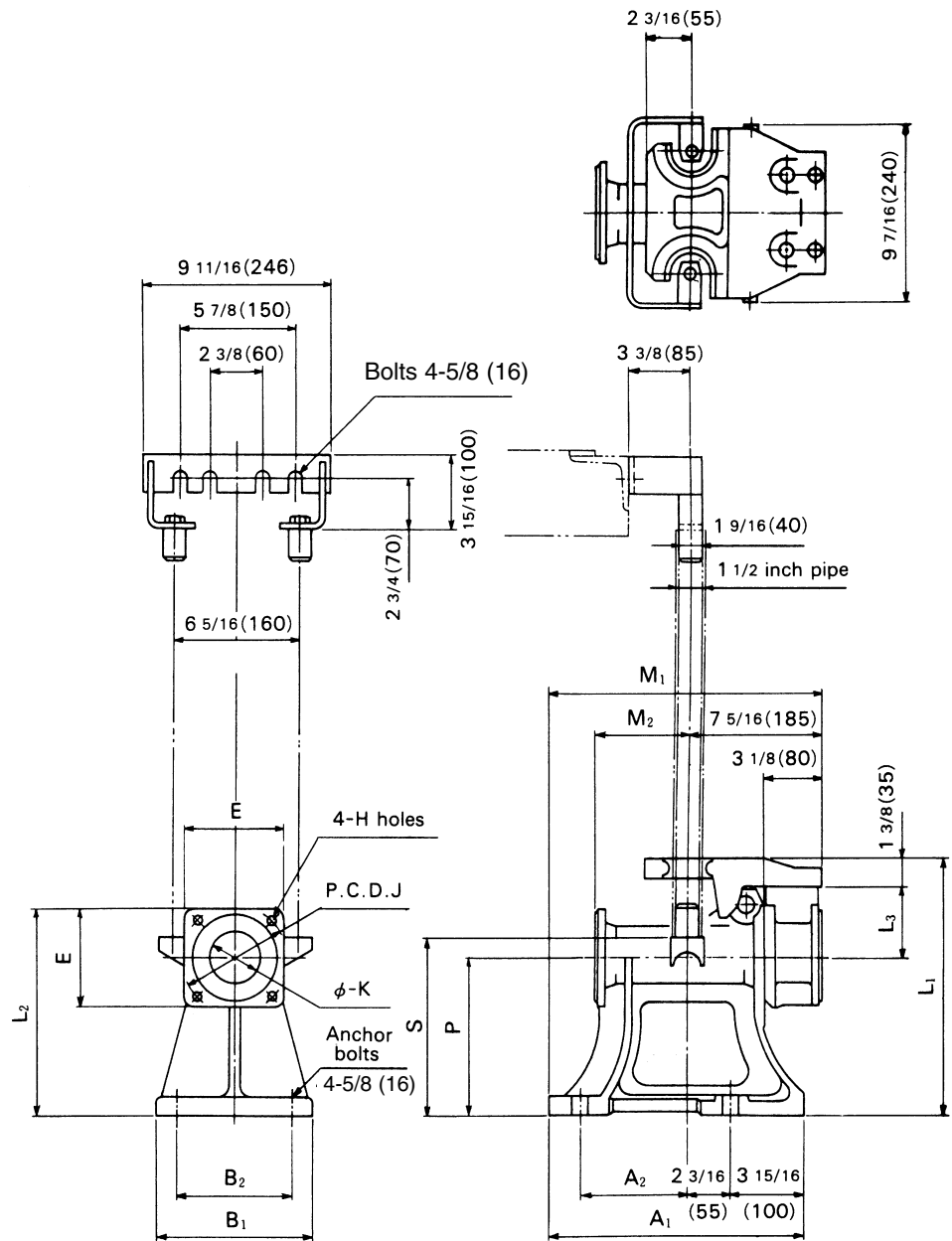
| MODEL | A | C | E | H | J | K | L ₁ | L ₂ | N | P | S | WEIGHT kg |
|-------|-----|----|-----|----|-----|----|----------------|----------------|-----|-----|-----|-----------|
| LM50 | 195 | 40 | 110 | 12 | 120 | 50 | 210 | 190 | 115 | 135 | 165 | 11 |
| LM65 | 215 | 45 | 130 | 12 | 140 | 65 | 230 | 210 | 120 | 145 | 190 | 14 |
| LM80 | 215 | 50 | 140 | 15 | 155 | 80 | 270 | 245 | 125 | 175 | 230 | 17 |

Dimensions

Project: _____ Model: _____ Chk'd: _____ Date: _____

Models LL80, LL100

- 80DLU, 3 to 5HP
- 80DLCMFU, 10 to 15HP
- 100DVU, 5HP
- 80DLFU, 3 to 30HP
- 100DLMFU, 2 to 30HP
- 80DVFU, 10HP
- 80DVBFU, 15HP
- 80DVCFU, 15 to 30 HP
- 100DVFU, 5 to 10HP
- 100DVBFU, 15HP
- 100DVCFU, 15 to 20HP
- 100DVFU, 15 to 30HP



Dimensions: inch

| MODEL | A ₁ | A ₂ | B ₁ | B ₂ | E | H | J | K | L ₁ | L ₂ | L ₃ | M ₁ | M ₂ | P | S | WEIGHT Lb |
|-------|---------------------------------|-------------------------------|--------------------------------|--------------------------------|--------------------------------|------------------------------|-------------------------------|---|----------------------------------|---------------------------------|-------------------------------|--------------------------------|-------------------------------|--------------------------------|---------------------------------|-----------|
| LL80 | 14 ³ / ₁₆ | 6 ¹ / ₂ | 9 ¹ / ₁₆ | 7 ¹ / ₁₆ | 5 ¹ / ₂ | ⁹ / ₁₆ | 6 ¹ / ₈ | 3 | 14 ⁹ / ₁₆ | 12 ³ / ₁₆ | 3 ³ / ₄ | 15 ³ / ₈ | 4 ³ / ₄ | 9 ⁷ / ₁₆ | 10 ⁷ / ₁₆ | 97 |
| LL100 | 14 ³ / ₁₆ | 6 ¹ / ₂ | 9 ¹ / ₁₆ | 7 ¹ / ₁₆ | 6 ⁵ / ₁₆ | ³ / ₄ | 6 ⁷ / ₈ | 4 | 14 ¹⁵ / ₁₆ | 12 ⁵ / ₈ | 4 ¹ / ₈ | 15 ³ / ₈ | 4 ¹ / ₈ | 9 ⁷ / ₁₆ | 10 ⁷ / ₁₆ | 101 |

Dimensions: mm

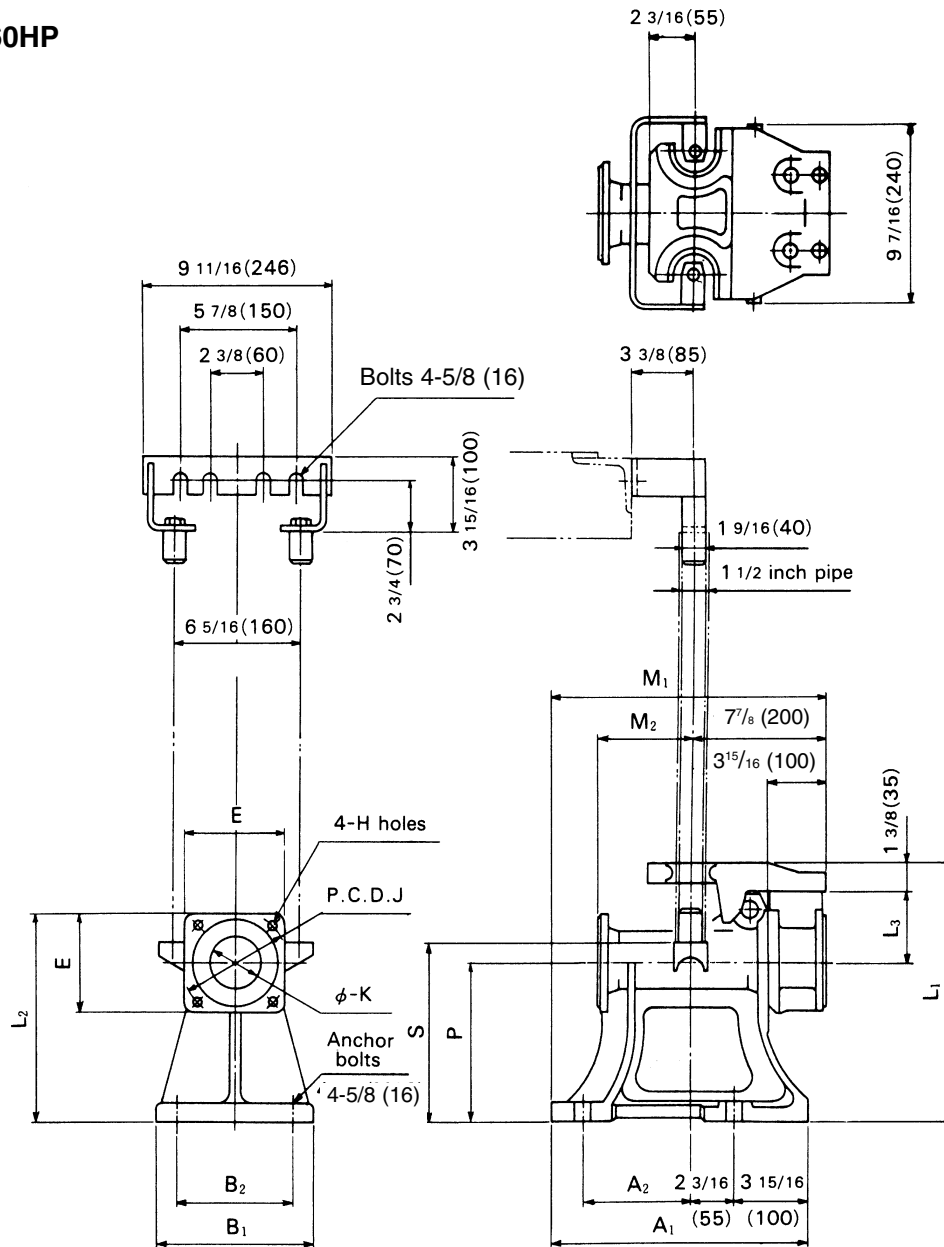
| MODEL | A ₁ | A ₂ | B ₁ | B ₂ | E | H | J | K | L ₁ | L ₂ | L ₃ | M ₁ | M ₂ | P | S | WEIGHT kg |
|-------|----------------|----------------|----------------|----------------|-----|----|-----|-----|----------------|----------------|----------------|----------------|----------------|-----|-----|-----------|
| LL80 | 360 | 165 | 230 | 180 | 140 | 15 | 155 | 80 | 370 | 310 | 95 | 390 | 120 | 240 | 255 | 44 |
| LL100 | 360 | 165 | 230 | 180 | 160 | 19 | 175 | 100 | 380 | 320 | 105 | 390 | 105 | 240 | 265 | 46 |

Dimensions

Project: _____ Model: _____ Chk'd: _____ Date: _____

Model LL100

100DLFU, 40 to 60HP



Dimensions: inch

| MODEL | A ₁ | A ₂ | B ₁ | B ₂ | E | H | J | K | L ₁ | L ₂ | L ₃ | M ₁ | M ₂ | P | S | WEIGHT Lb |
|-------|---------------------------------|-------------------------------|--------------------------------|--------------------------------|--------------------------------|-----|-------------------------------|---|---------------------------------|--------------------------------|-------------------------------|--------------------------------|-------------------------------|--------------------------------|---------------------------------|-----------|
| LL100 | 14 ³ / ₁₆ | 6 ¹ / ₂ | 9 ¹ / ₁₆ | 7 ¹ / ₁₆ | 6 ⁵ / ₁₆ | 3/4 | 6 ⁷ / ₈ | 4 | 14 ⁷ / ₁₆ | 12 ⁵ / ₈ | 4 ¹ / ₈ | 15 ³ / ₈ | 4 ¹ / ₈ | 9 ⁷ / ₁₆ | 10 ⁷ / ₁₆ | 101 |

Dimensions: mm

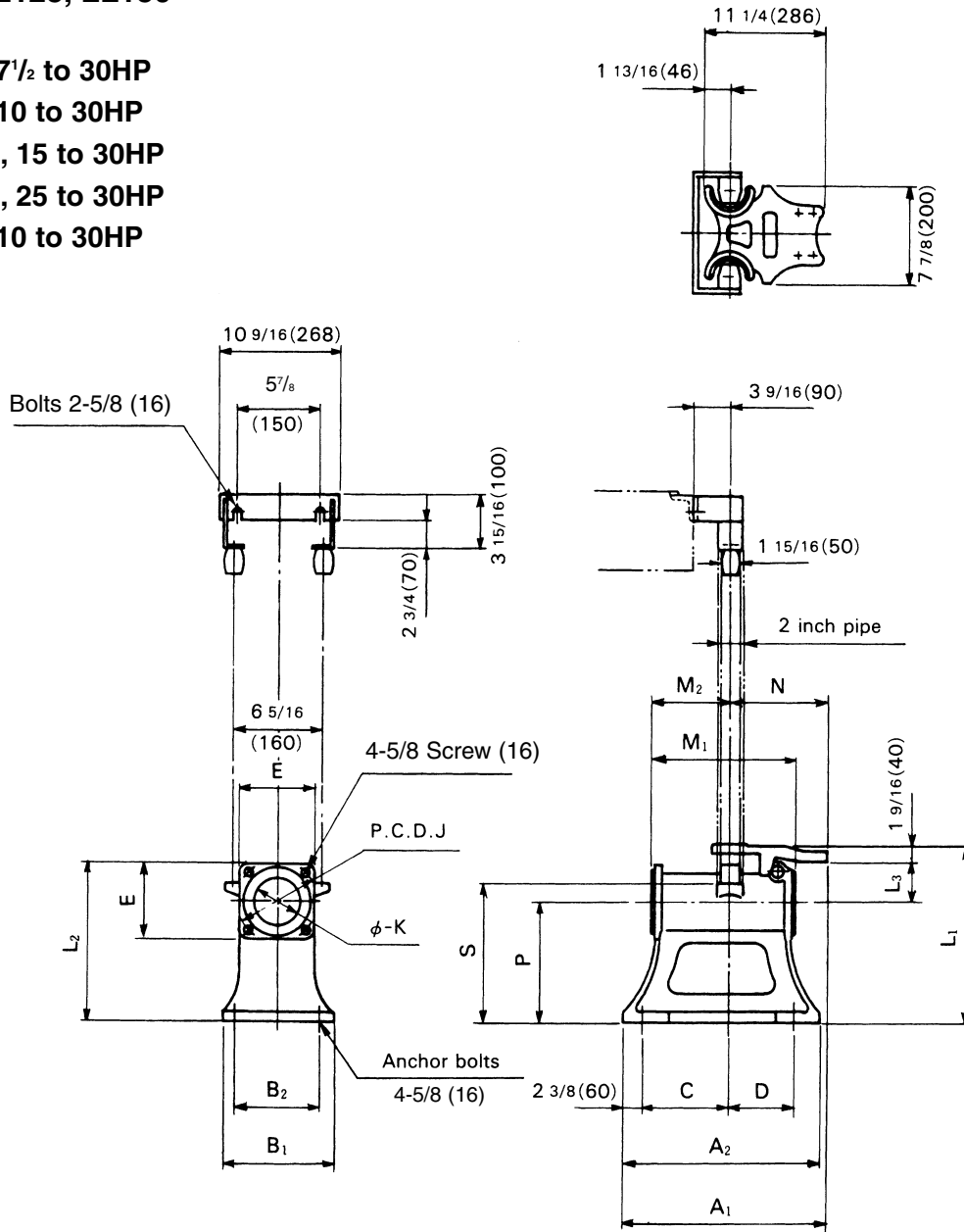
| MODEL | A ₁ | A ₂ | B ₁ | B ₂ | E | H | J | K | L ₁ | L ₂ | L ₃ | M ₁ | M ₂ | P | S | WEIGHT kg |
|-------|----------------|----------------|----------------|----------------|-----|----|-----|-----|----------------|----------------|----------------|----------------|----------------|-----|-----|-----------|
| LL100 | 360 | 165 | 230 | 180 | 160 | 19 | 175 | 100 | 380 | 320 | 105 | 390 | 105 | 240 | 265 | 46 |

Dimensions

Project: _____ Model: _____ Chk'd: _____ Date: _____

Models LL125, LL150

- 100DLFU, 7½ to 30HP
- 150DLFU, 10 to 30HP
- 150DVBFU, 15 to 30HP
- 150DVCFU, 25 to 30HP
- 200DLFU, 10 to 30HP



Dimensions: inch

| MODEL | A ₁ | A ₂ | B ₁ | B ₂ | C | D | E | J | K | L ₁ | L ₂ | L ₃ | M ₁ | M ₂ | N | P | S | WEIGHT Lb |
|-------|--------------------------------|---------------------------------|--------------------------------|----------------------------------|---------------------------------|---------------------------------|---------------------------------|--------------------------------|---|---------------------------------|----------------------------------|---------------------------------|---------------------------------|---------------------------------|---------------------------------|---------------------------------|----------------------------------|-----------|
| LL125 | 19 ⁷ / ₈ | 19 ⁷ / ₁₆ | 13 | 11 | 8 ¹ / ₁₆ | 6 ¹ / ₂ | 7 ¹ / ₂ | 8 ³ / ₄ | 5 | 16 ⁵ / ₁₆ | 15 ³ / ₁₆ | 3 ¹⁵ / ₁₆ | 13 ³ / ₄ | 7 ¹¹ / ₁₆ | 2 ³ / ₄ | 11 ¹ / ₁₆ | 14 ¹ / ₄ | 143 |
| LL150 | 20 ¹ / ₂ | 20 ⁷ / ₁₆ | 13 ³ / ₄ | 11 ¹³ / ₁₆ | 8 ¹¹ / ₁₆ | 6 ¹¹ / ₁₆ | 8 ¹¹ / ₁₆ | 9 ⁹ / ₁₆ | 6 | 18 ⁹ / ₁₆ | 16 ¹⁵ / ₁₆ | 4 ⁷ / ₁₆ | 14 ⁹ / ₁₆ | 8 ¹ / ₁₆ | 2 ¹⁵ / ₁₆ | 12 ⁵ / ₈ | 15 ¹⁵ / ₁₆ | 176 |

Dimensions: mm

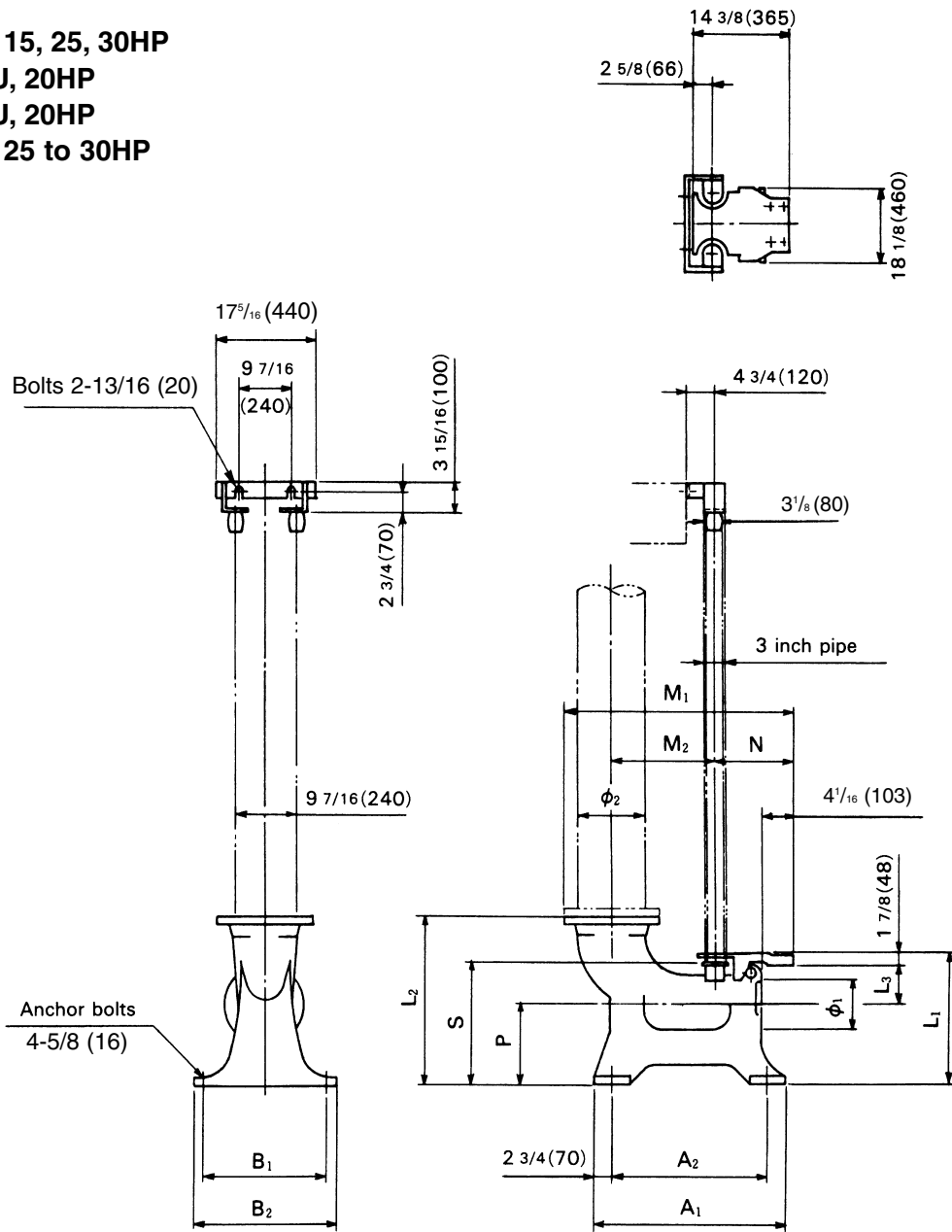
| MODEL | A ₁ | A ₂ | B ₁ | B ₂ | C | D | E | J | K | L ₁ | L ₂ | L ₃ | M ₁ | M ₂ | N | P | S | WEIGHT kg |
|-------|----------------|----------------|----------------|----------------|-----|-----|-----|-----|-----|----------------|----------------|----------------|----------------|----------------|----|-----|-----|-----------|
| LL125 | 505 | 490 | 330 | 280 | 205 | 165 | 190 | 210 | 125 | 430 | 385 | 100 | 350 | 195 | 70 | 290 | 362 | 65 |
| LL150 | 520 | 510 | 350 | 300 | 220 | 170 | 220 | 250 | 150 | 472 | 430 | 112 | 360 | 205 | 75 | 320 | 405 | 80 |

Dimensions

Project: _____ Model: _____ Chk'd: _____ Date: _____

Models LL250U, LL300U

- 250DLFU, 15, 25, 30HP
- 250DLBFU, 20HP
- 250DLCFU, 20HP
- 300DLFU, 25 to 30HP



Dimensions: inch

| MODEL | ø ₁ | ø ₂ | A ₁ | A ₂ | B ₁ | B ₂ | L ₁ | L ₂ | L ₃ | M ₁ | M ₂ | N | P | S | WEIGHT Lb |
|--------|----------------|----------------|---------------------------------|---------------------------------|----------------------------------|---------------------------------|----------------------------------|---------------------------------|-------------------------------|----------------------------------|---------------------------------|--------------------------------|----------------------------------|----------------------------------|-----------|
| LL250U | 8 | 10 | 31 ¹ / ₈ | 25 ⁹ / ₁₆ | 19 ¹¹ / ₁₆ | 22 ⁷ / ₁₆ | 21 ⁹ / ₁₆ | 27 ⁹ / ₁₆ | 5 ⁷ / ₈ | 36 ¹⁵ / ₁₆ | 17 ¹ / ₈ | 11 ³ / ₄ | 13 ³ / ₄ | 17 ² / ₁₆ | 331 |
| LL300U | 10 | 12 | 32 ² / ₁₆ | 26 ³ / ₄ | 22 ¹³ / ₁₆ | 25 ⁵ / ₁₆ | 25 ¹¹ / ₁₆ | 31 ¹ / ₂ | 6 ⁷ / ₈ | 39 | 18 ⁵ / ₁₆ | 11 ³ / ₄ | 16 ¹⁵ / ₁₆ | 17 ¹¹ / ₁₆ | 441 |

Dimensions: mm

| MODEL | ø ₁ | ø ₂ | A ₁ | A ₂ | B ₁ | B ₂ | L ₁ | L ₂ | L ₃ | M ₁ | M ₂ | N | P | S | WEIGHT kg |
|--------|----------------|----------------|----------------|----------------|----------------|----------------|----------------|----------------|----------------|----------------|----------------|-----|-----|-----|-----------|
| LL250U | 200 | 250 | 790 | 650 | 500 | 560 | 548 | 700 | 150 | 938 | 435 | 298 | 350 | 440 | 150 |
| LL300U | 250 | 300 | 820 | 680 | 580 | 640 | 653 | 800 | 175 | 991 | 465 | 298 | 430 | 450 | 200 |

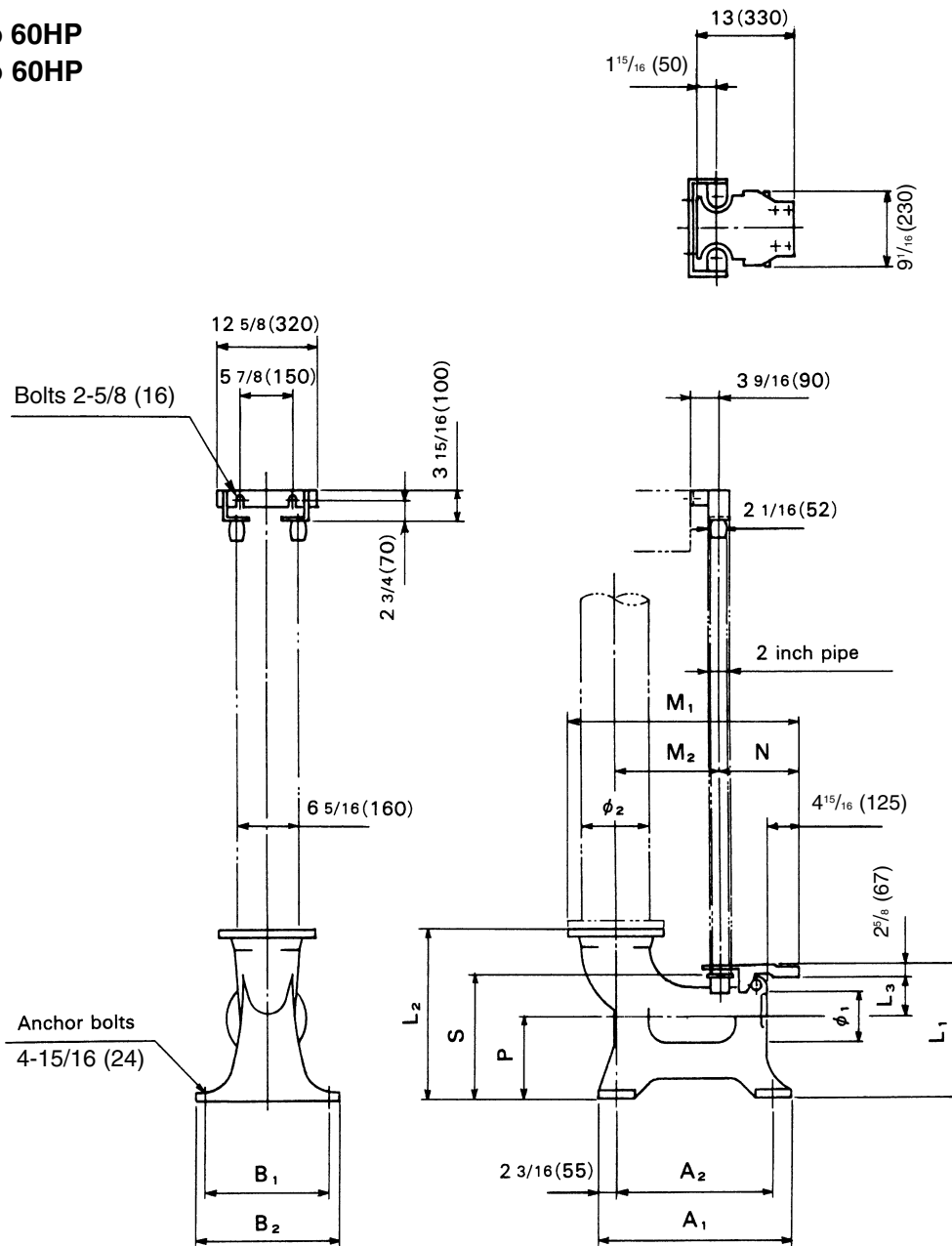
Dimensions

Project: _____ Model: _____ Chk'd: _____ Date: _____

Models LL150YU, LL200YU

150DLFU, 40 to 60HP

200DLFU, 40 to 60HP



Dimensions: inch

| MODEL | ø ₁ | ø ₂ | A ₁ | A ₂ | B ₁ | B ₂ | L ₁ | L ₂ | L ₃ | M ₁ | M ₂ | N | P | S | WEIGHT Lb |
|---------|----------------|----------------|----------------|----------------|----------------|----------------|----------------|----------------|----------------|----------------|----------------|----|---------|---------|-----------|
| LL150YU | 6 | 6 | 20 1/2 | 16 7/8 | 14 3/16 | 16 7/8 | 19 3/4 | 19 11/16 | 4 15/16 | 29 7/16 | 12 13/16 | 11 | 12 3/16 | 15 7/16 | 179 |
| LL200YU | 6 | 8 | 21 5/8 | 17 5/16 | 16 9/16 | 18 1/2 | 21 5/16 | 23 5/8 | 4 15/16 | 31 3/4 | 14 | 11 | 13 3/4 | 16 3/4 | 227 |

Dimensions: mm

| MODEL | ø ₁ | ø ₂ | A ₁ | A ₂ | B ₁ | B ₂ | L ₁ | L ₂ | L ₃ | M ₁ | M ₂ | N | P | S | WEIGHT kg |
|---------|----------------|----------------|----------------|----------------|----------------|----------------|----------------|----------------|----------------|----------------|----------------|-----|-----|-----|-----------|
| LL150YU | 150 | 150 | 520 | 410 | 360 | 410 | 502 | 500 | 125 | 745 | 325 | 280 | 310 | 385 | 81 |
| LL200YU | 150 | 200 | 550 | 440 | 420 | 470 | 542 | 600 | 125 | 807 | 355 | 280 | 350 | 425 | 103 |

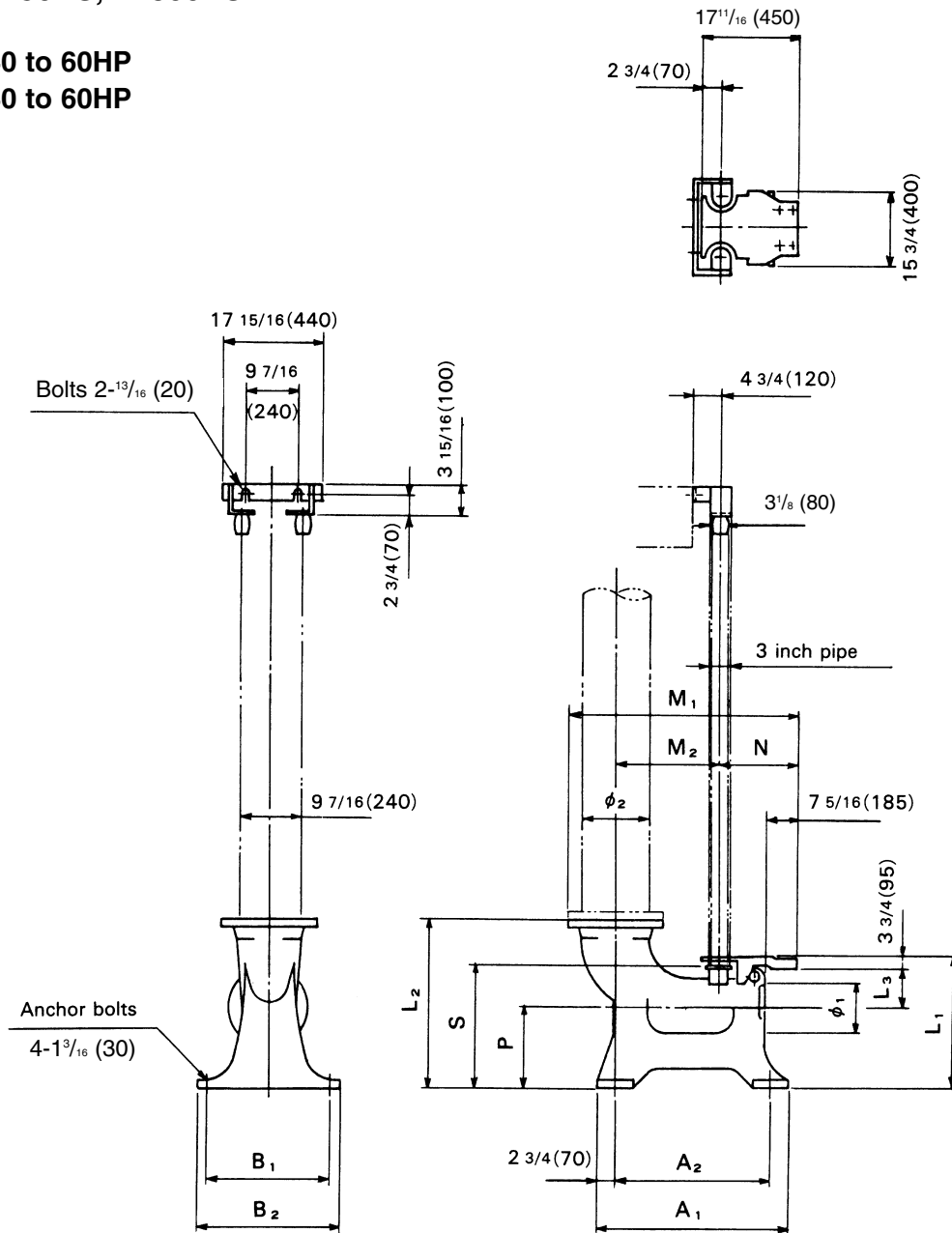
Dimensions

Project: _____ Model: _____ Chk'd: _____ Date: _____

Models LL250YU, LL300YU

250DLFU, 40 to 60HP

300DLFU, 40 to 60HP



Dimensions: inch

| MODEL | φ ₁ | φ ₂ | A ₁ | A ₂ | B ₁ | B ₂ | L ₁ | L ₂ | L ₃ | M ₁ | M ₂ | N | P | S | WEIGHT Lb |
|---------|----------------|----------------|----------------|----------------|----------------|----------------|----------------|----------------|----------------|----------------|----------------|----------|----------|---------|-----------|
| LL250YU | 8 | 10 | 31 1/8 | 25 9/16 | 19 11/16 | 22 1/16 | 23 7/16 | 27 9/16 | 5 7/8 | 40 1/16 | 17 1/8 | 14 15/16 | 13 3/4 | 17 5/16 | 344 |
| LL300YU | 10 | 12 | 32 5/16 | 26 3/4 | 22 13/16 | 25 3/16 | 27 9/16 | 31 1/2 | 6 7/8 | 42 13/16 | 18 9/16 | 14 15/16 | 16 15/16 | 21 5/8 | 450 |

Dimensions: mm

| MODEL | φ ₁ | φ ₂ | A ₁ | A ₂ | B ₁ | B ₂ | L ₁ | L ₂ | L ₃ | M ₁ | M ₂ | N | P | S | WEIGHT kg |
|---------|----------------|----------------|----------------|----------------|----------------|----------------|----------------|----------------|----------------|----------------|----------------|-----|-----|-----|-----------|
| LL250YU | 200 | 250 | 790 | 650 | 500 | 560 | 595 | 700 | 150 | 1018 | 435 | 380 | 350 | 440 | 156 |
| LL300YU | 250 | 300 | 820 | 680 | 580 | 640 | 700 | 800 | 175 | 1087 | 465 | 380 | 430 | 550 | 204 |

Sectional View

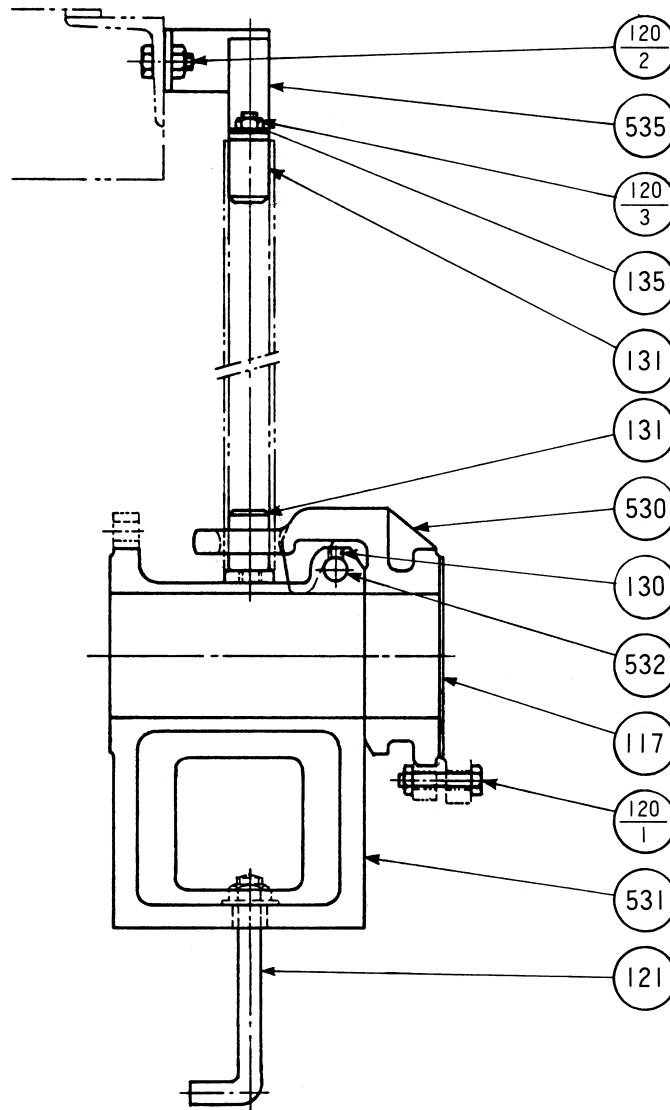
Project:

Model:

Chk'd:

Date:

Models LM50, LM65, LM80



| Part No. | Part Name | Material | | ASTM, AISI, CODE | | No. for 1 Unit |
|----------|---------------------|---------------|-----------|------------------|-------------|----------------|
| | | Model LM | Model LME | Model LM | Model LME | |
| 117 | Gasket | | | | | 1 |
| 120-1 | Bolt & Nut | 304 Stainless | | AISI304 | | 4 |
| 120-2 | Bolt & Nut | 304 Stainless | | AISI304 | | 2 |
| 120-3 | Nut | 304 Stainless | | AISI304 | | 2 |
| 121 | Anchor Bolt | Steel | | A283 Grade D | | 2 |
| 130 | Set Screw | 304 Stainless | | AISI304 | | 1 |
| 131 | Guide Pin | Steel | Brass | A283 Grade D | B36 C27200 | 4 |
| 135 | Washer | 304 Stainless | | AISI403 | | 2 |
| 530 | Connector | Cast Iron | Bronze | A48 Class 30 | B584 C83600 | 1 |
| 531 | Body | Cast Iron | | A48 Class 30 | | 1 |
| 532 | Support Bar | 420 Stainless | | AISI420 | | 1 |
| 535 | Guide Support Plate | Steel | | A283 Grade D | | 1 |



Sectional View

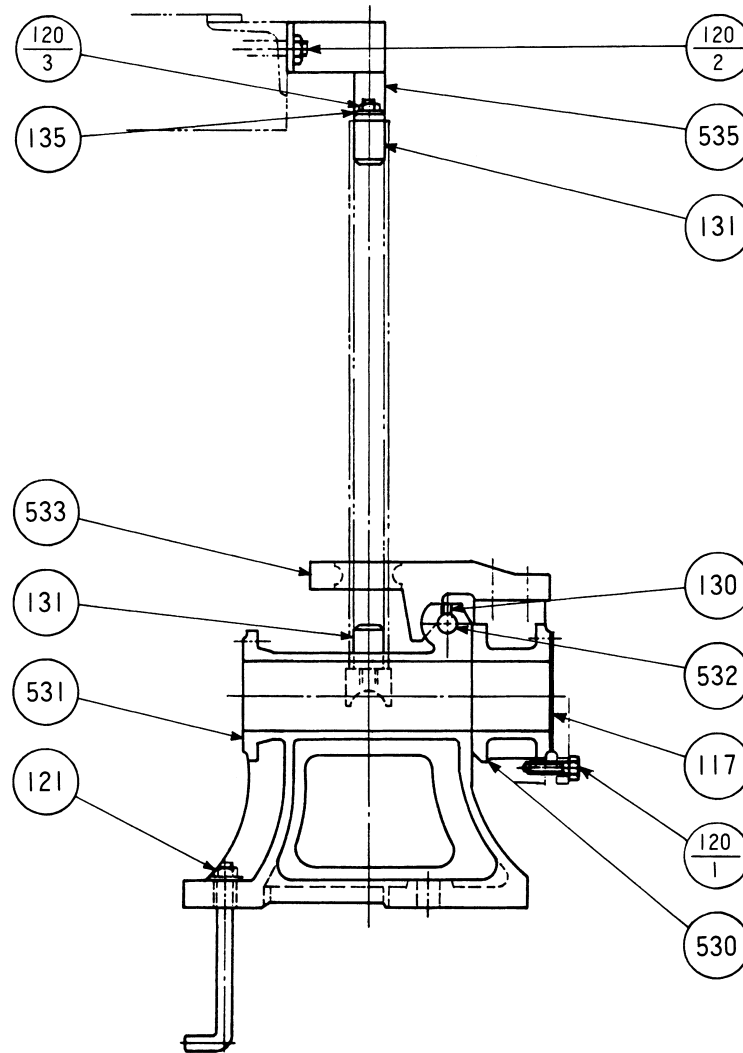
Project:

Model:

Chk'd:

Date:

Models LL80, LL100



| Part No. | Part Name | Material | | ASTM, AISI, CODE | | No. for 1 Unit |
|----------|---------------------|---------------|-----------|------------------|-------------|----------------|
| | | Model LL | Model LLE | Model LL | Model LLE | |
| 117 | Gasket | | | | | 1 |
| 120-1 | Bolt | 304 Stainless | | AISI304 | | 4 |
| 120-2 | Nut | 304 Stainless | | AISI304 | | 2 |
| 120-3 | Nut | 304 Stainless | | AISI304 | | 2 |
| 121 | Anchor Bolt | Steel | | A283 Grade D | | 4 |
| 130 | Set Screw | 304 Stainless | | AISI304 | | 1 |
| 131 | Guide Pin | Steel | Brass | A283 Grade D | B36 C27200 | 4 |
| 135 | Washer | 304 Stainless | | AISI304 | | 2 |
| 530 | Connector | Cast Iron | Bronze | A48 Class 30 | B584 C83600 | 1 |
| 531 | Body | Cast Iron | | A48 Class 30 | | 1 |
| 532 | Support Bar | 420 Stainless | | AISI420 | | 1 |
| 533 | Sliding Guide | Cast Iron | Bronze | A48 Class 30 | B584 C83600 | 1 |
| 535 | Guide Support Plate | Steel | | A283 Grade D | | 1 |



Sectional View

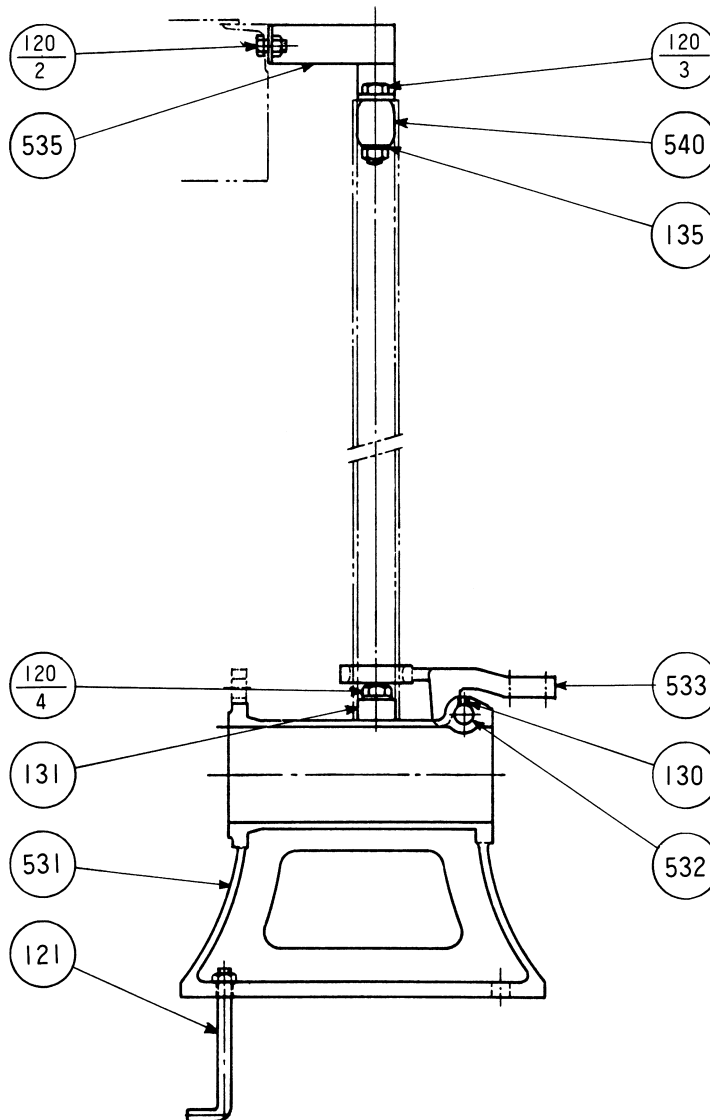
Project:

Model:

Chk'd:

Date:

Models LL125, LL150



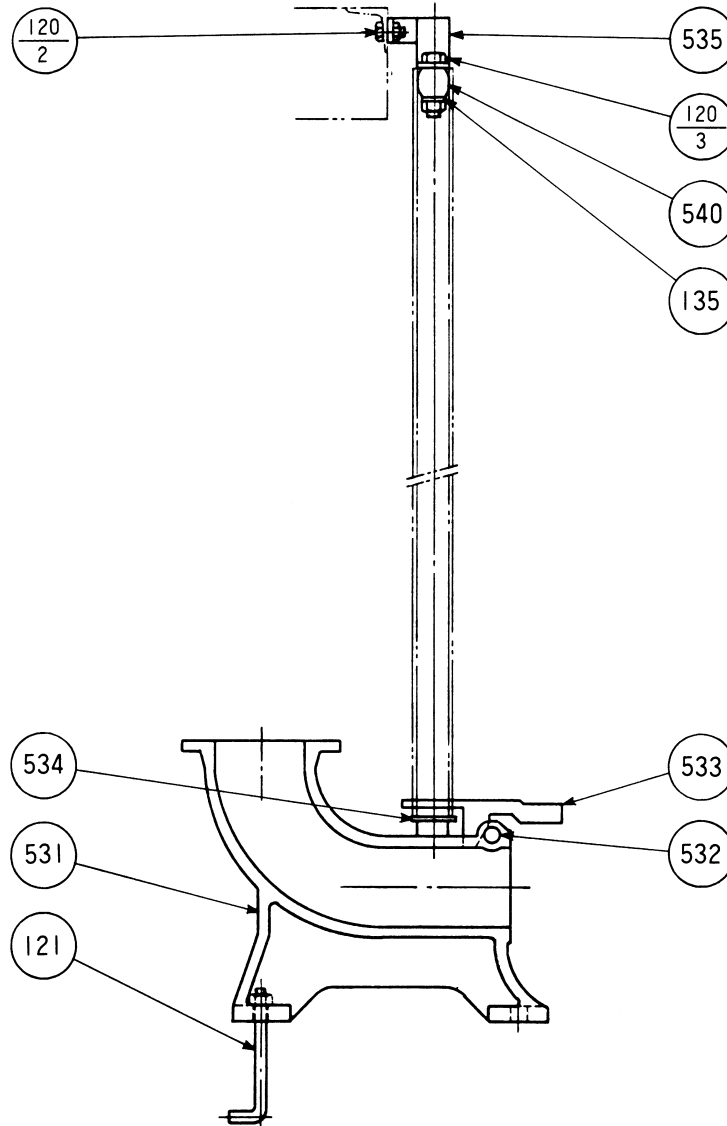
| Part No. | Part Name | Material | | ASTM, AISI, CODE | | No. for 1 Unit |
|----------|---------------------|---------------|-----------|------------------|-------------|----------------|
| | | Model LL | Model LLE | Model LL | Model LLE | |
| 120-2 | Bolt & Nut | Steel | | A283 Grade D | | 2 |
| 120-3 | Bolt & Nut | Steel | | A283 Grade D | | 2 |
| 120-4 | Bolt | 316 Stainless | | AISI316 | | 2 |
| 121 | Anchor Bolt | Steel | | A283 Grade D | | 4 |
| 130 | Set Screw | 304 Stainless | | AISI304 | | 1 |
| 131 | Guide Pin | Steel | Brass | A283 Grade D | B36 C27200 | 2 |
| 135 | Washer | Steel | | A283 Grade D | | 2 |
| 531 | Body | Cast Iron | | A48 Class 30 | | 1 |
| 532 | Support Bar | 420 Stainless | | AISI420 | | 1 |
| 533 | Sliding Guide | Cast Iron | Bronze | A48 Class 30 | B584 C83600 | 1 |
| 535 | Guide Support Plate | Steel | | A283 Grade D | | 1 |
| 540 | Rubber Ring | Rubber (NR) | | | | 1 |



Sectional View

Project: _____ Model: _____ Chk'd: _____ Date: _____

Models LL250U, LL300U, LL150YU, LL200YU, LL250YU, LL300YU



| Part No. | Part Name | Material | | ASTM, AISI, CODE | | No. for 1 Unit |
|----------|---------------------|---------------|-----------|------------------|-------------|----------------|
| | | Model LL | Model LLE | Model LL | Model LLE | |
| 120-2 | Bolt & Nut | Steel | | A283 Grade D | | 2 |
| 120-3 | Bolt & Nut | Steel | | A283 Grade D | | 2 |
| 121 | Anchor Bolt | Steel | | A283 Grade D | | 4 |
| 135 | Washer | Steel | | A283 Grade D | | 2 |
| 531 | Body | Cast Iron | | A48 Class 30 | | 1 |
| 532 | Support Bar | 420 Stainless | | AISI420 | | 1 |
| 533 | Sliding Guide | Cast Iron | Bronze | A48 Class 30 | B584 C83600 | 1 |
| 534 | Pipe Support Plate | 304 S.S. | Brass | AISI304 | B36 C27200 | 1 |
| 535 | Guide Support Plate | Steel | | A283 Grade D | | 1 |
| 540 | Rubber Ring | Rubber (NR) | | | | 2 |



