

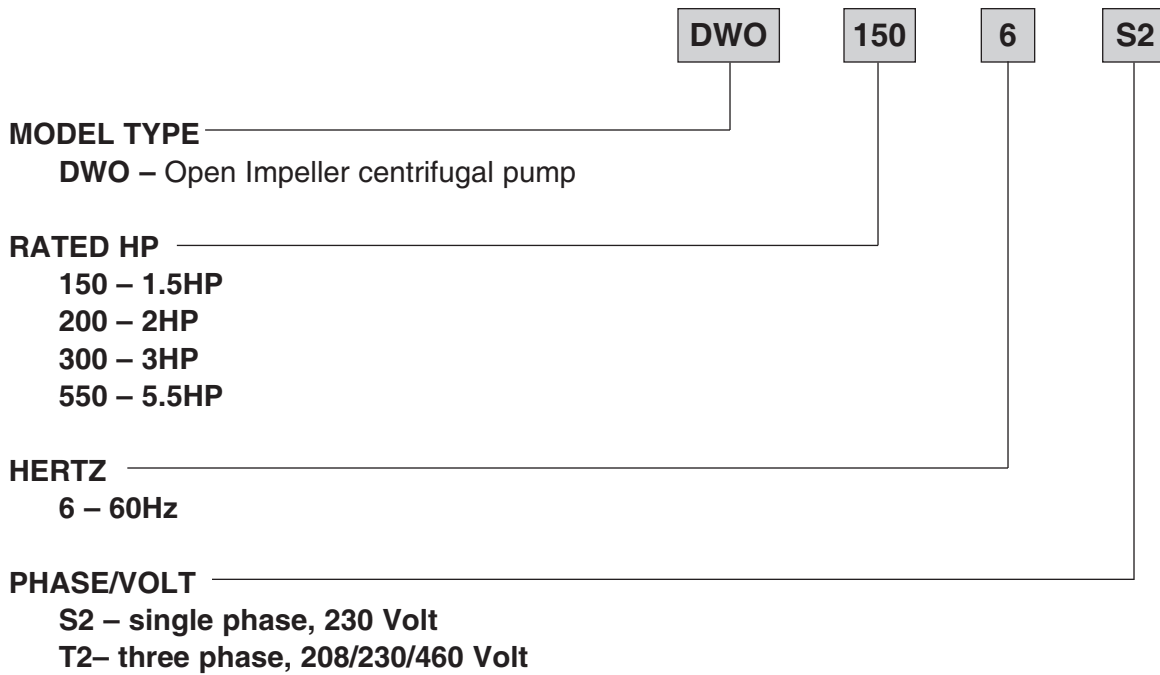
Item No.	Specifications	Selection Chart	Performance Curve	Pump Dimensions	Sectional View	Motor Data
DWO1506	702	703	704	708	709	713
DWO2006			705			
DWO3006			706			
DWO5506			707			



Model DWO

EBARA Stainless Steel Open Impeller Centrifugal Pumps

Model Designation

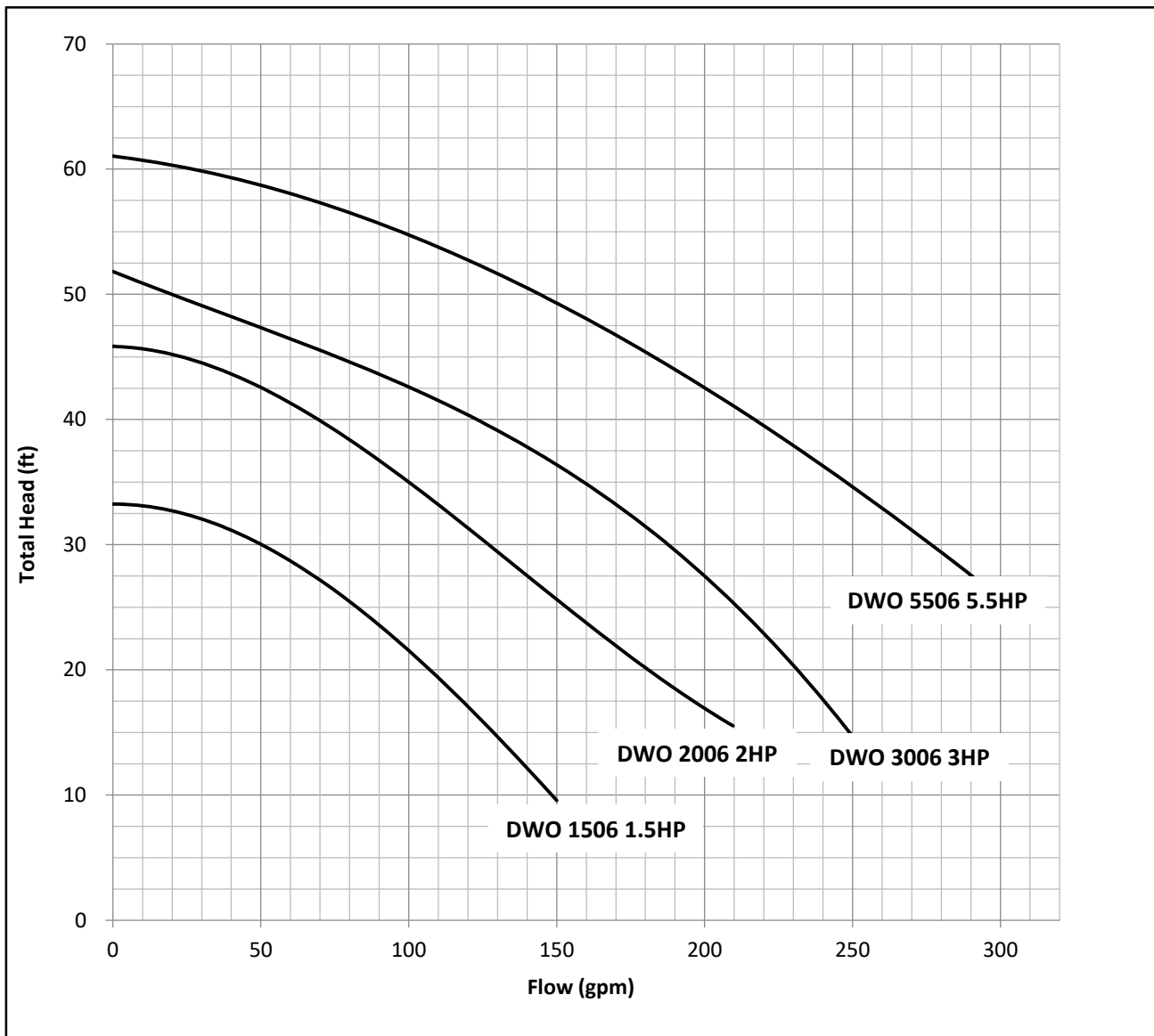


## Model DWO EBARA Stainless Steel Open Impeller Centrifugal Pumps Specifications

	Standard	Optional
<b>Size</b> Suction Discharge	2- 2½" NPT Female Thread 2" NPT Female Thread Suction and discharge nozzle equipped with external hose barb connection 2" nozzle – 2 <sup>7</sup> / <sub>16</sub> " O.D. 2½" nozzle – 3 <sup>1</sup> / <sub>8</sub> " O.D.	
<b>Range of HP</b>	1.5 HP to 5.5 HP	
<b>Range of Performance</b> Capacity Head	to 250 GPM at 3450 RPM 35 to 65 feet at 3450 RPM	
<b>Liquid handled</b> Type of liquid Solids Temperature Working pressure	Clean water and semi-dirty water ¾" Spherical (2% by concentration) 23 F (-5 C) to 194 F (90 C) Maximum: 116 PSI (8 Bar)	
<b>Materials</b> Casing Impeller (Open) Shaft Bracket Shaft Seal	AISI 304 Stainless Steel AISI 304 Stainless Steel AISI 304 Stainless Steel Aluminum Carbon/Ceramic/NBR	Consult factory for optional seal types
<b>Direction of Rotation</b>	Clockwise when viewed from motor end	
<b>Motor</b> Type Speed HP rating Voltage Single Phase Three Phase Motor Casing Motor Protection Bearing	Insulation Class F TEFC/IP55 60 Hz, 3450 RPM (2 poles) 1.5HP - 5.5HP 230 208/230/460V Aluminum Built-in overload protection (single phase) User provided (three phase) Ball Bearing	

Model DWO  
Selection Chart

EBARA Stainless Steel Open Impeller Centrifugal Pumps

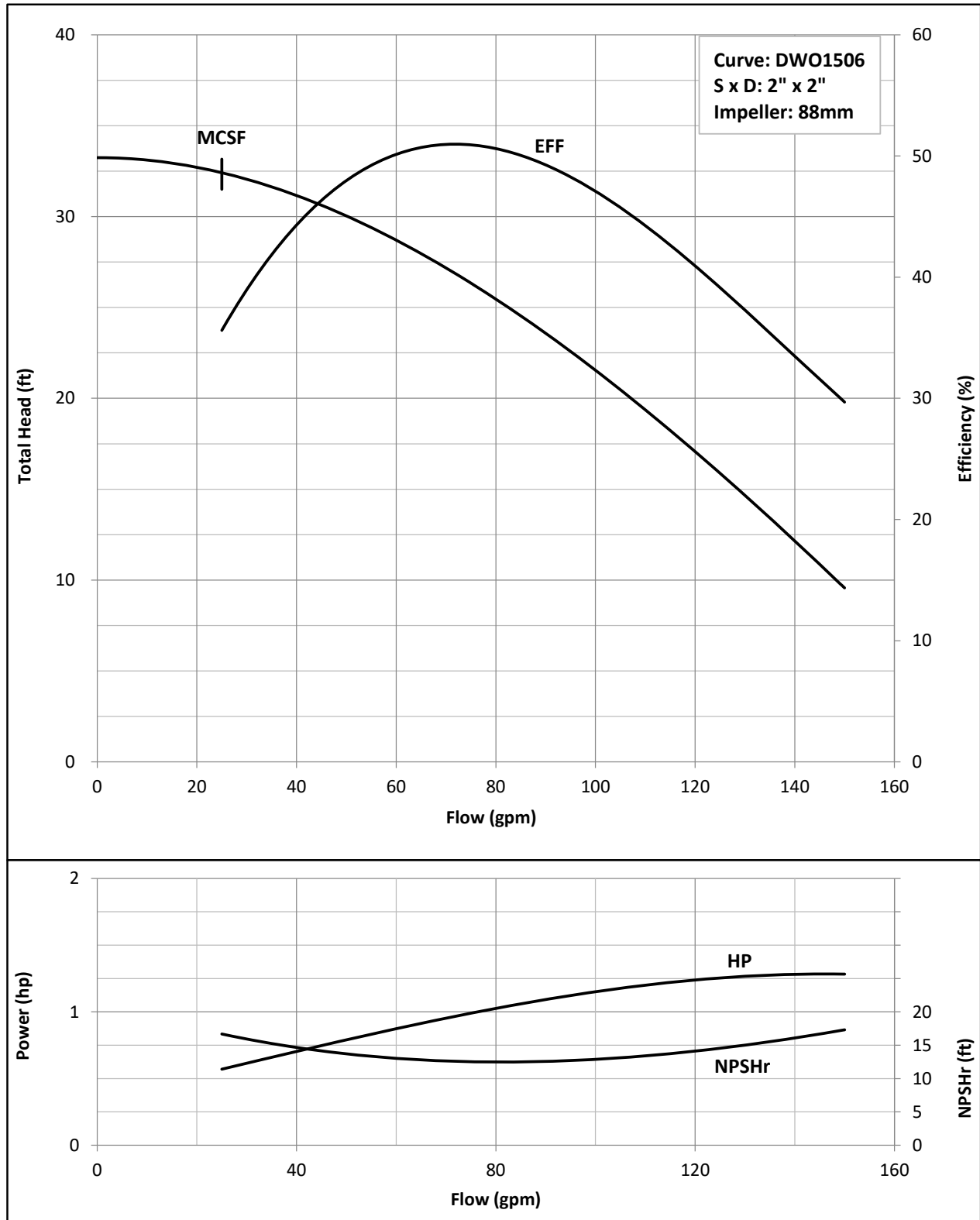


Model DWO  
Performance Curve

EBARA Stainless Steel Open Impeller Centrifugal Pumps

DWO 1506 1.5HP

Nominal Speed: 3450 RPM

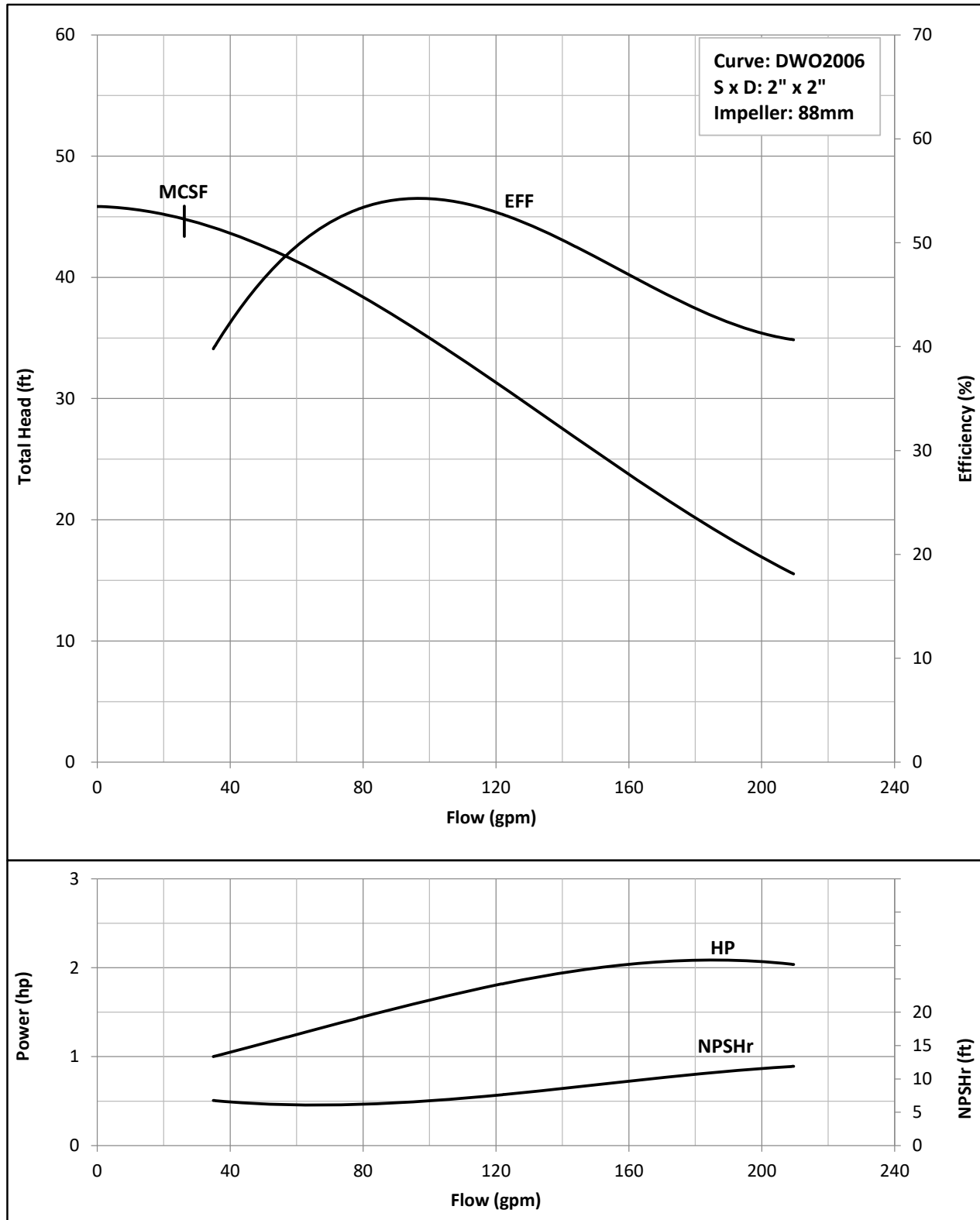


Model DWO  
Performance Curve

EBARA Stainless Steel Open Impeller Centrifugal Pumps

DWO 2006 2HP

Nominal Speed: 3450 RPM

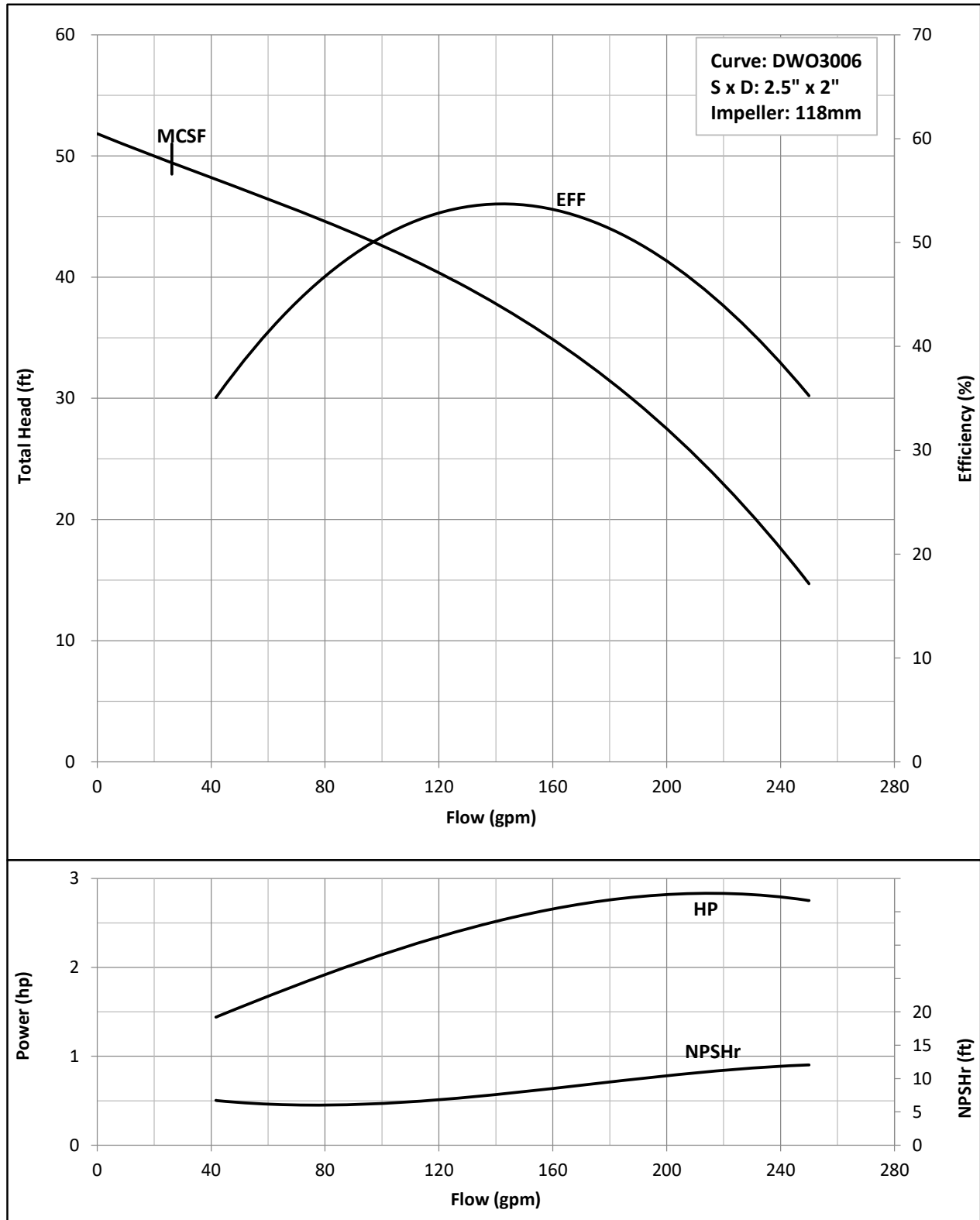


Model DWO  
Performance Curve

EBARA Stainless Steel Open Impeller Centrifugal Pumps

DWO 3006 3HP

Nominal Speed: 3450 RPM

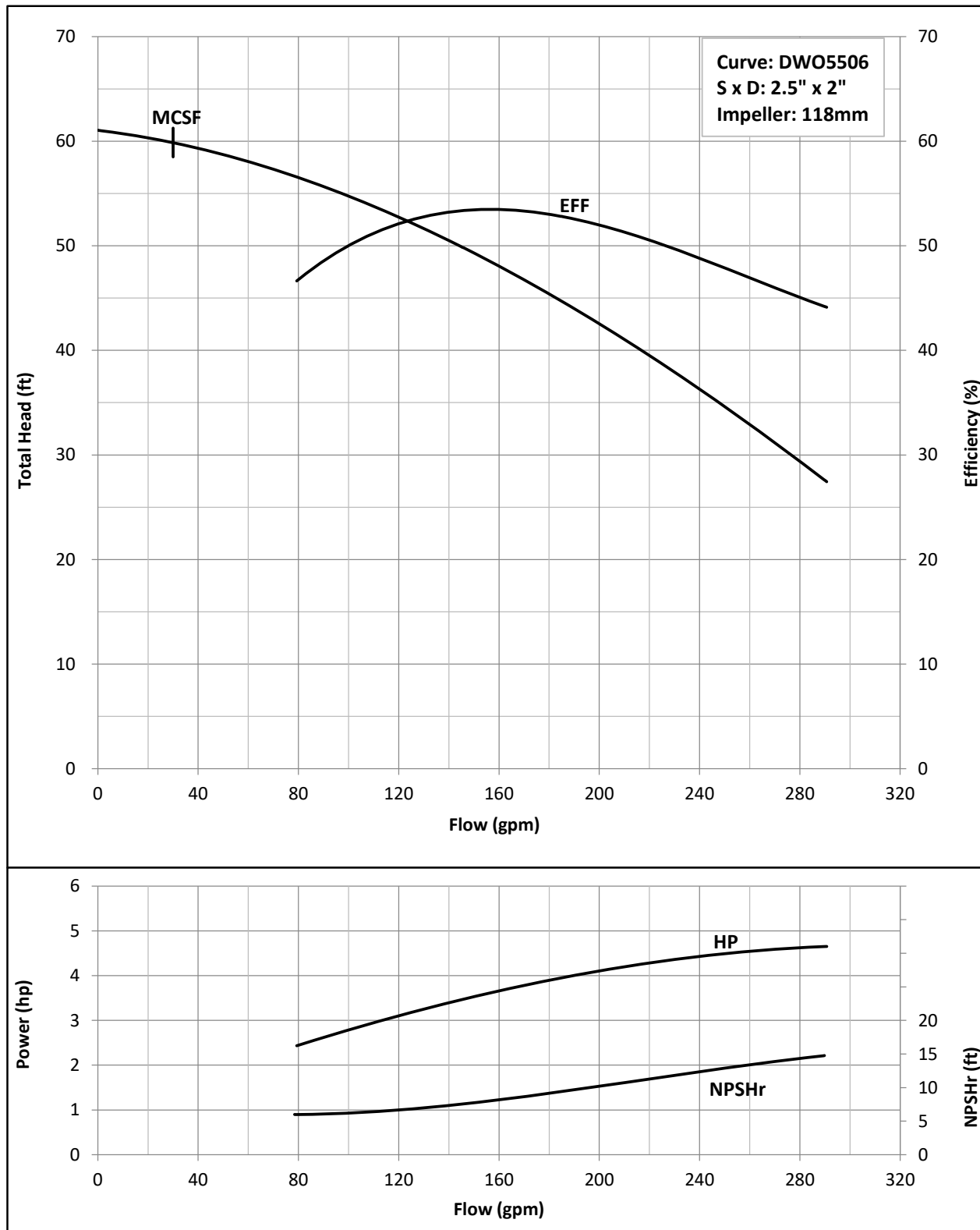


Model DWO  
Performance Curve

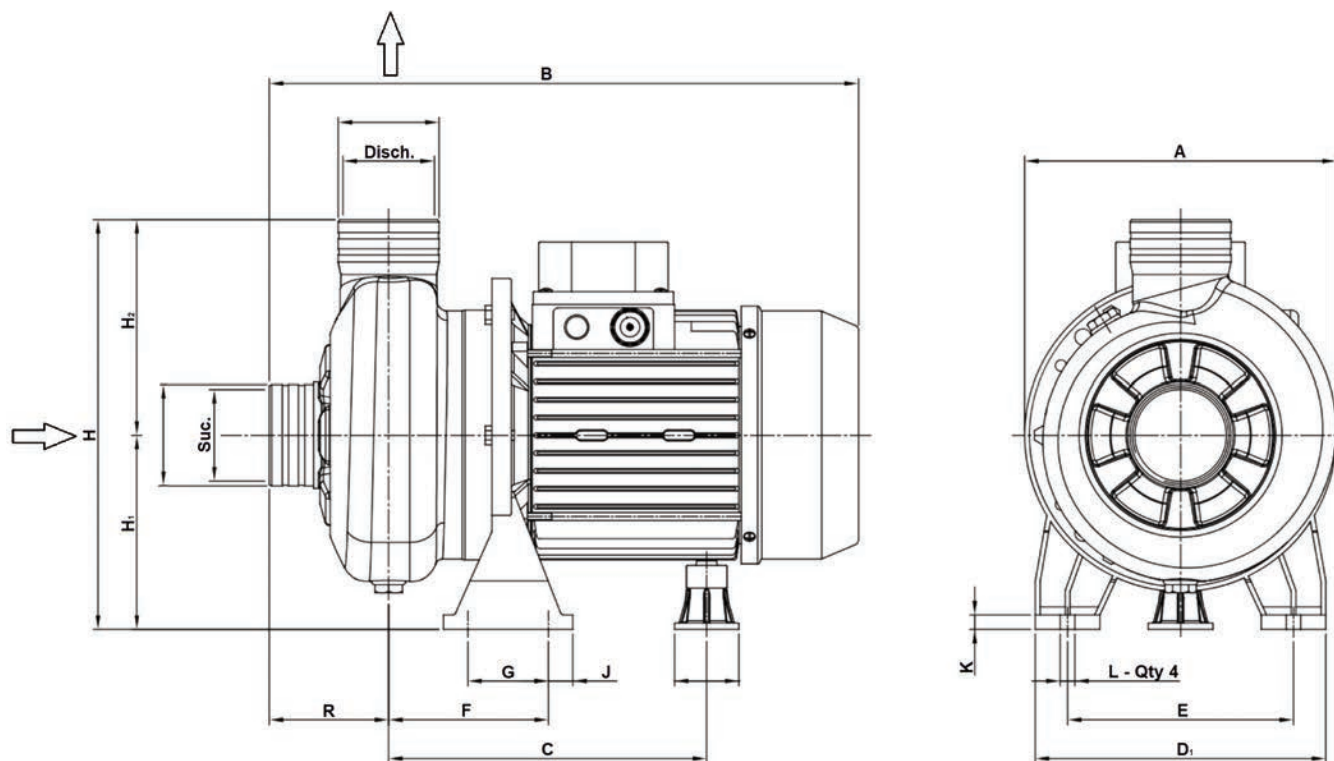
EBARA Stainless Steel Open Impeller Centrifugal Pumps

DWO 5506 5.5HP

Nominal Speed: 3450 RPM







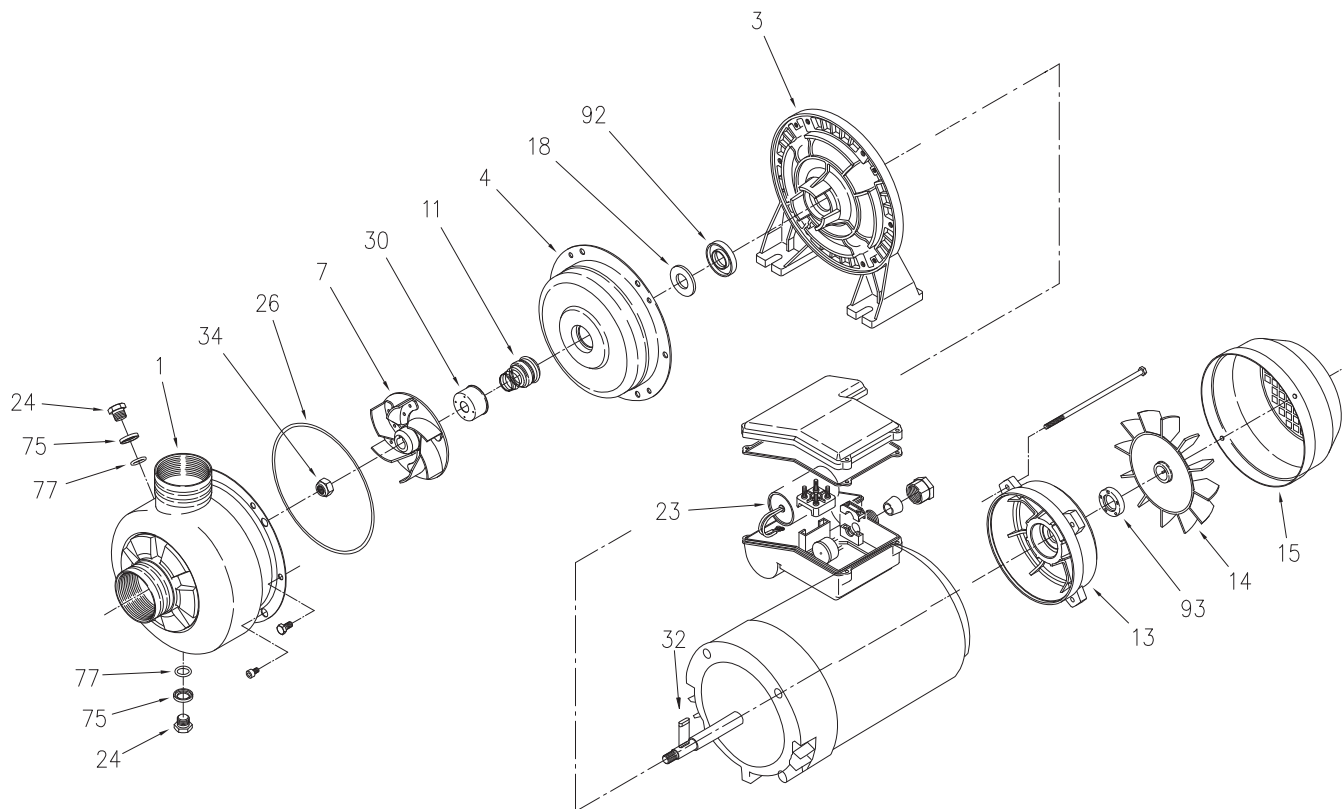
Dimensions: inch

MODEL	HP	SIZE		PUMP & MOTOR														Weight Lbs	
		Suc.	Disch.	A	B	C	D <sub>1</sub>	E	F	G	H	H <sub>1</sub>	H <sub>2</sub>	J	K	L	R	1 phase/3 phase	
DWO1506	1.5	2" NPT	2" NPT	7 <sup>5</sup> / <sub>8</sub>	14 <sup>3</sup> / <sub>8</sub>	7 <sup>7</sup> / <sub>8</sub>	7 <sup>1</sup> / <sub>8</sub>	5 <sup>1</sup> / <sub>2</sub>	3 <sup>7</sup> / <sub>8</sub>	2	10	4 <sup>3</sup> / <sub>4</sub>	5 <sup>1</sup> / <sub>4</sub>	5 <sup>5</sup> / <sub>8</sub>	3 <sup>3</sup> / <sub>8</sub>	3 <sup>3</sup> / <sub>8</sub>	2 <sup>7</sup> / <sub>8</sub>	36/34	
DWO2006	2	2" NPT	2" NPT	7 <sup>5</sup> / <sub>8</sub>	14 <sup>3</sup> / <sub>8</sub>	7 <sup>7</sup> / <sub>8</sub>	7 <sup>1</sup> / <sub>8</sub>	5 <sup>1</sup> / <sub>2</sub>	3 <sup>7</sup> / <sub>8</sub>	2	10	4 <sup>3</sup> / <sub>4</sub>	5 <sup>1</sup> / <sub>4</sub>	5 <sup>5</sup> / <sub>8</sub>	3 <sup>3</sup> / <sub>8</sub>	3 <sup>3</sup> / <sub>8</sub>	2 <sup>7</sup> / <sub>8</sub>	42/38	
DWO3006	3	2.5" NPT	2" NPT	7 <sup>5</sup> / <sub>8</sub>	15 <sup>3</sup> / <sub>8</sub>	8 <sup>1</sup> / <sub>2</sub>	7 <sup>1</sup> / <sub>8</sub>	5 <sup>1</sup> / <sub>2</sub>	3 <sup>7</sup> / <sub>8</sub>	2	10	4 <sup>3</sup> / <sub>4</sub>	5 <sup>1</sup> / <sub>4</sub>	5 <sup>5</sup> / <sub>8</sub>	3 <sup>3</sup> / <sub>8</sub>	3 <sup>3</sup> / <sub>8</sub>	3 <sup>1</sup> / <sub>8</sub>	45	
DWO5506	5.5	2.5" NPT	2" NPT	7 <sup>5</sup> / <sub>8</sub>	20	10 <sup>5</sup> / <sub>8</sub>	7 <sup>1</sup> / <sub>8</sub>	5 <sup>1</sup> / <sub>2</sub>	3 <sup>7</sup> / <sub>8</sub>	2	10	4 <sup>3</sup> / <sub>4</sub>	5 <sup>1</sup> / <sub>4</sub>	5 <sup>5</sup> / <sub>8</sub>	3 <sup>3</sup> / <sub>8</sub>	3 <sup>3</sup> / <sub>8</sub>	3 <sup>1</sup> / <sub>8</sub>	72	

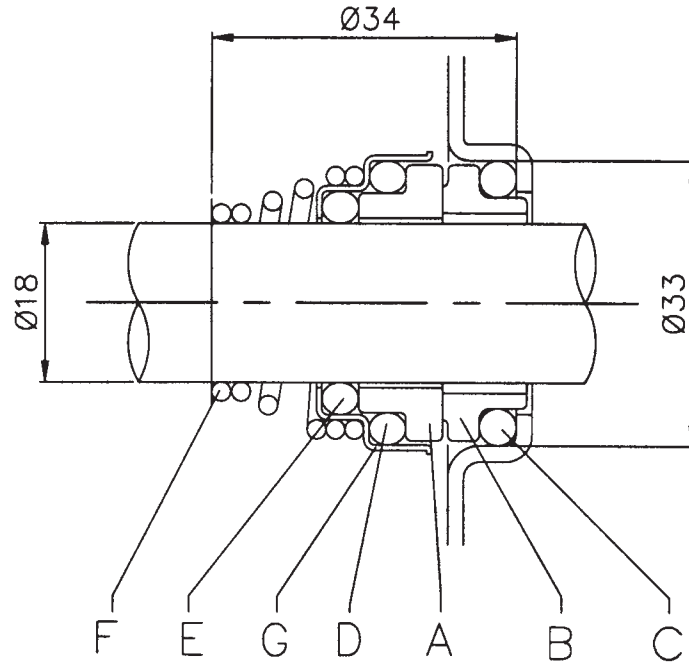
Dimensions: mm

MODEL	HP	SIZE		PUMP & MOTOR														Weight kg	
		Suc.	Disch.	A	B	C	D <sub>1</sub>	E	F	G	H	H <sub>1</sub>	H <sub>2</sub>	J	K	L	R	1 phase/3 phase	
DWO1506	1.5	2" NPT	2" NPT	193	364	198.5	180	140	99	50	253	120	133	15	9	9	74	13.6/12.6	
DWO2006	2	2" NPT	2" NPT	193	364	198.5	180	140	99	50	253	120	133	15	9	9	74	15.7/14.4	
DWO3006	3	2.5" NPT	2" NPT	193	390	215.5	180	140	99	50	253	120	133	15	9	9	78	16.9	
DWO5506	5.5	2.5" NPT	2" NPT	193	508	268.5	180	140	99	50	253	120	133	15	9	9	78	33	

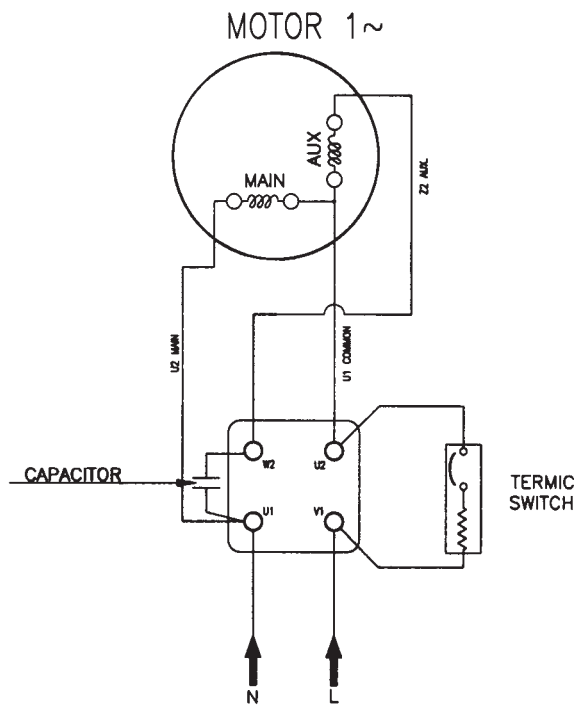
**Exploded view**



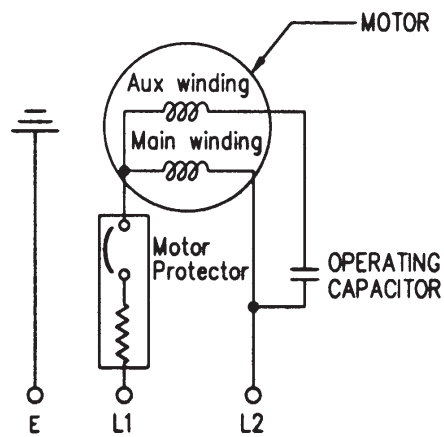
Location No.	Part Name	Material	No. for 1 Unit
1	Casing	304 Stainless Steel	1
3	Motor bracket	Aluminum	1
4	Casing cover	304 Stainless Steel	1
7	Impeller	304 Stainless Steel	1
11	Mechanical seal	Carbon/Ceramic/NBR	1
14	Fan	Polypropolene	1
15	Fan cover	Steel	1
18	Splash Ring	—	1
23	Capacitor	Single phase only	1
24	Priming plug/Drain plug	303 Stainless Steel	2
26	O-ring	NBR	2
30	Mechanical Seal Protector	304 Stainless Steel	1
32	Key	304 Stainless Steel	1
34	Impeller nut	304 Stainless Steel	1
75	Washer	304 Stainless Steel	2
77	O-ring	NBR	2
92	Lip seal (Pump side)	—	1
93	Lip seal (Fan side)	—	1



REF.	PART NAME	MATERIAL
A	Rotary Seal Ring	Ceramic
B	Stationary Seal Ring	Carbon graphite
C	O-ring	NBR
D	O-ring	NBR
E	O-ring	NBR
F	Self driving spring	AISI 316
G	Frame	AISI 304



230 V  
EXTERNAL MOTOR PROTECTOR



Model DWO

EBARA Stainless Steel Open Impeller Centrifugal Pumps

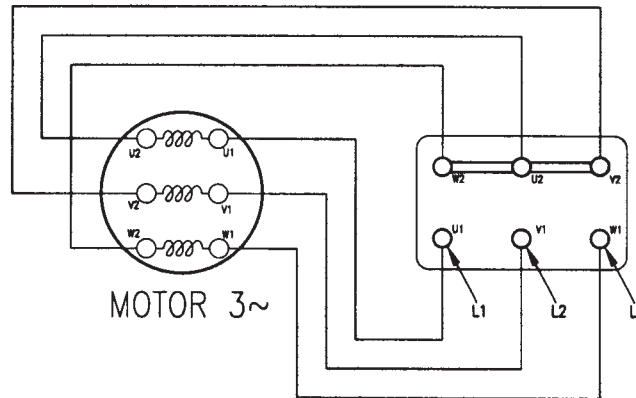
Wiring Diagram

Three Phase

1.5HP, 2HP, and 5.5HP motors:

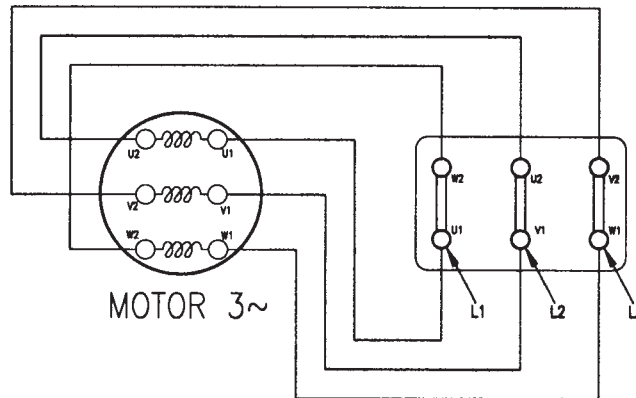
460V

STAR CONNECTION



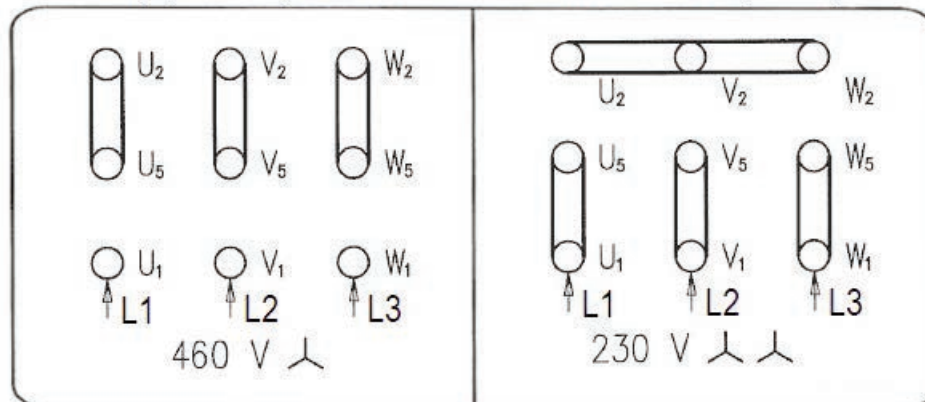
230V

DELTA CONNECTION



3HP motor only:

3hp(2.2kW) ONLY - Star-Double Star (Y-YY)





## Model DWO

## EBARA Stainless Steel Open Impeller Centrifugal Pumps

### Electrical Data

Hz	Poles	Phase	Output (HP)	Voltage (V)	Applicable Model
60	2	Three	1.5 to 5.5	208/230	DWO

Name- Plate Rating	MOTOR MODEL	1506	2006	3006	5506		
	Output	HP	1.5	2	3	5.5	
		kW	1.1	1.5	2.2	4	
	Phase		3	3	3	3	
	Poles		2	2	2	2	
	Volts		208/230	208/230	208/230	208/230	
	Amperes		5.8/5.3	8.1/7.5	8.1/7.5	14.2/13.5	
	Speed		3450	3450	3450	3450	
	Insulation Class		F	F	F	F	
Number Starts Per Hour		20	20	20	20		
Voltage Tolerance		%					±6%



## Model DWO

## EBARA Stainless Steel Open Impeller Centrifugal Pumps

### Electrical Data

Hz	Poles	Phase	Output (HP)	Voltage (V)	Applicable Model
60	2	Three	1.5 to 5.5	460	DWO

Name- Plate Rating	MOTOR MODEL	1506	2006	3006	5506		
	Output	HP	1.5	2	3	5.5	
		kW	1.1	1.5	2.2	4	
	Phase		3	3	3	3	
	Poles		2	2	2	2	
	Volts		460	460	460	460	
	Amperes		2.9	4.1	4.1	7.8	
	Speed		3450	3450	3450	3450	
Insulation Class		F	F	F	F		
Number Starts Per Hour		20	20	20	20		
Voltage Tolerance %		±6%					

