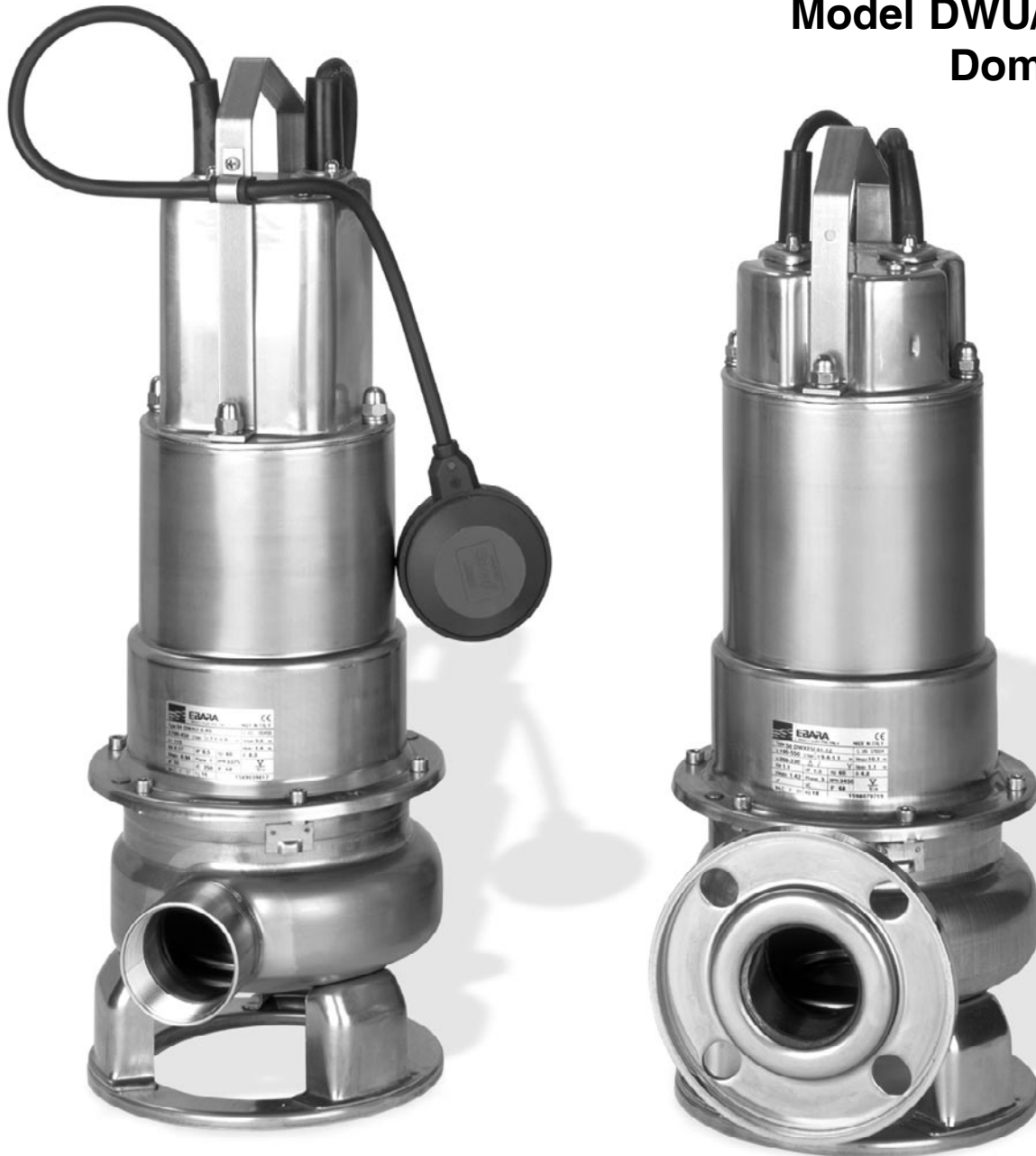


---

# Submersible Sewage Pump

## Model DWU/DWXU Dominator



Dimensions

---



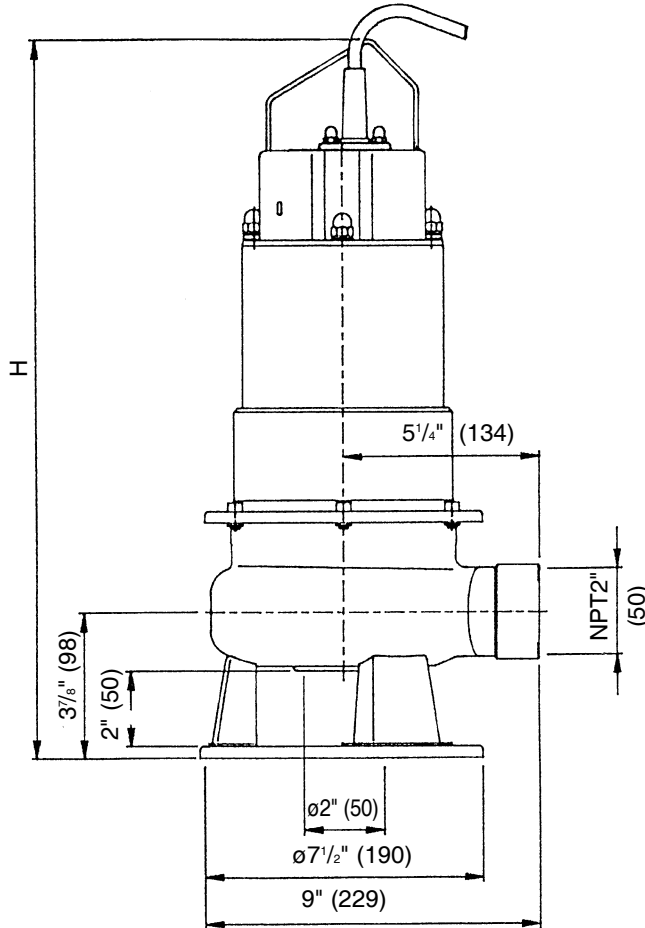
EBARA Pumps Americas Corporation

**Dimensions**

Project: \_\_\_\_\_ Model: \_\_\_\_\_ Chk'd: \_\_\_\_\_ Date: \_\_\_\_\_

**Model DWU**  
Manual Operation Pumps

Unit: inch (mm)



*Note: Three phase motors are equipped with a Power Cable and a Thermal Protection Cable*

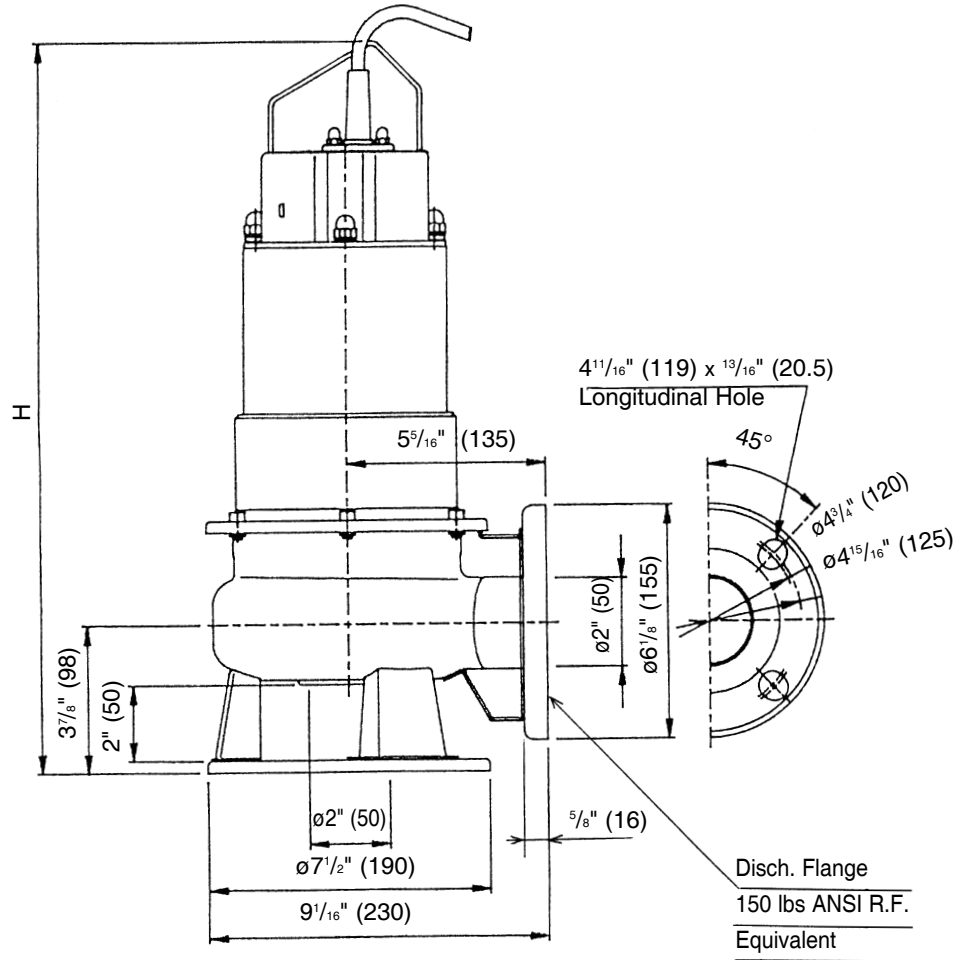
Phase	Size ø	Model	Output		Pump	Weight Lbs (kg)
			kw	HP	H	
Single	2" (50mm)	50DWU6.4S	0.4	1/2	21 <sup>5</sup> / <sub>8</sub> (550)	35 (16)
		50DWU6.75S	0.75	1	22 <sup>13</sup> / <sub>16</sub> (580)	40 (18)
		50DWU6.4S2	0.4	1/2	19 <sup>1</sup> / <sub>8</sub> (485)	35 (16)
		50DWU6.75S2	0.75	1	20 <sup>1</sup> / <sub>4</sub> (515)	40 (18)
		50DWU61.1S2	1.1	1 1/2	20 <sup>1</sup> / <sub>4</sub> (515)	44 (20)
		50DWU61.5S2	1.5	2	24 (610)	51 (23)
Three	2" (50mm)	50DWU6.4	0.4	1/2	19 <sup>1</sup> / <sub>8</sub> (485)	33 (15)
		50DWU6.75	0.75	1	19 <sup>1</sup> / <sub>8</sub> (485)	35 (16)
		50DWU61.1	1.1	1 1/2	20 <sup>1</sup> / <sub>4</sub> (515)	40 (18)
		50DWU61.5	1.5	2	20 <sup>1</sup> / <sub>4</sub> (515)	44 (20)
		50DWU62.2	2.2	3	21 <sup>7</sup> / <sub>16</sub> (545)	55 (25)

**Dimensions**

Project: \_\_\_\_\_ Model: \_\_\_\_\_ Chk'd: \_\_\_\_\_ Date: \_\_\_\_\_

**Model DWFU**  
Manual Operation Pumps

Unit: inch (mm)



*Note: Three phase motors are equipped with a Power Cable and a Thermal Protection Cable*

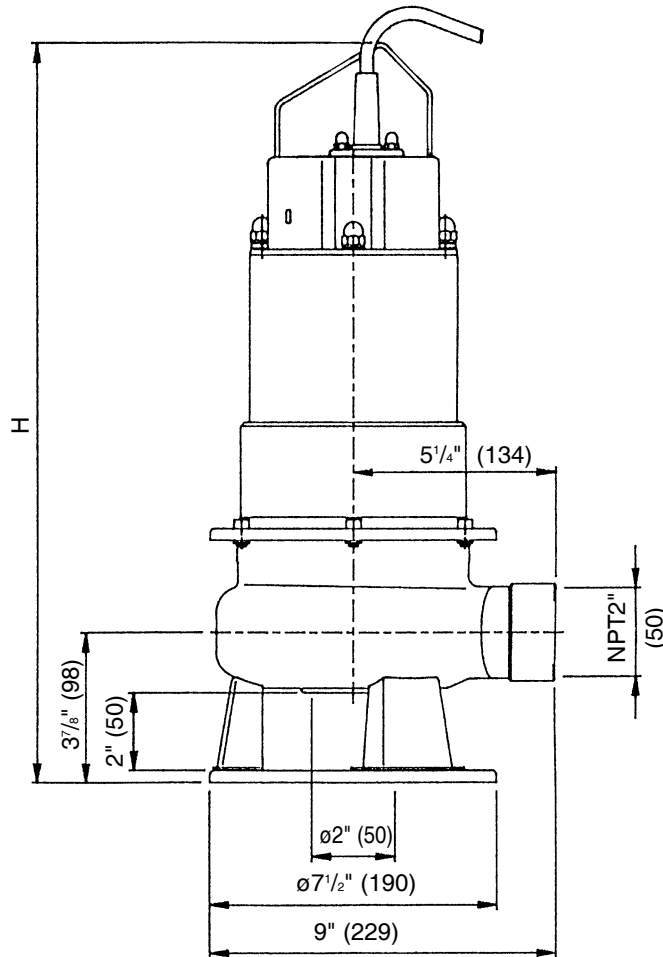
Phase	Size ø	Model	Output		Pump	Weight Lbs (kg)
			kw	HP	H	
Single	2" (50mm)	50DWFU6.4S	0.4	1/2	21 <sup>5/8</sup> (550)	37 (17)
		50DWFU6.75S	0.75	1	22 <sup>13/16</sup> (580)	42 (19)
		50DWFU6.4S2	0.4	1/2	19 <sup>1/8</sup> (485)	37 (17)
		50DWFU6.75S2	0.75	1	20 <sup>1/4</sup> (515)	42 (19)
		50DWFU61.1S2	1.1	1 1/2	20 <sup>1/4</sup> (515)	46 (21)
		50DWFU61.5S2	1.5	2	24 (610)	53 (24)
Three	2" (50mm)	50DWFU6.4	0.4	1/2	19 <sup>1/8</sup> (485)	35 (16)
		50DWFU6.75	0.75	1	19 <sup>1/8</sup> (485)	37 (17)
		50DWFU61.1	1.1	1 1/2	20 <sup>1/4</sup> (515)	42 (19)
		50DWFU61.5	1.5	2	20 <sup>1/4</sup> (515)	46 (21)
		50DWFU62.2	2.2	3	21 <sup>7/16</sup> (545)	57 (26)

**Dimensions**

Project: \_\_\_\_\_ Model: \_\_\_\_\_ Chk'd: \_\_\_\_\_ Date: \_\_\_\_\_

**Model DWXU**  
Manual Operation Pumps

Unit: inch (mm)



*Note: Three phase motors are equipped with a Power Cable and a Thermal Protection Cable*

Phase	Size ø	Model	Output		Pump	Weight Lbs (kg)
			kw	HP	H	
Single	2" (50mm)	50DWXU6.4S	0.4	1/2	21 <sup>5</sup> / <sub>8</sub> (550)	35 (16)
		50DWXU6.75S	0.75	1	22 <sup>13</sup> / <sub>16</sub> (580)	40 (18)
		50DWXU6.4S2	0.4	1/2	19 <sup>1</sup> / <sub>8</sub> (485)	35 (16)
		50DWXU6.75S2	0.75	1	20 <sup>1</sup> / <sub>4</sub> (515)	40 (18)
		50DWXU61.1S2	1.1	1 1/2	20 <sup>1</sup> / <sub>4</sub> (515)	44 (20)
		50DWXU61.5S2	1.5	2	24 (610)	51 (23)
Three	2" (50mm)	50DWXU6.4	0.4	1/2	19 <sup>1</sup> / <sub>8</sub> (485)	33 (15)
		50DWXU6.75	0.75	1	19 <sup>1</sup> / <sub>8</sub> (485)	35 (16)
		50DWXU61.1	1.1	1 1/2	20 <sup>1</sup> / <sub>4</sub> (515)	40 (18)
		50DWXU61.5	1.5	2	20 <sup>1</sup> / <sub>4</sub> (515)	44 (20)
		50DWXU62.2	2.2	3	21 <sup>7</sup> / <sub>16</sub> (545)	55 (25)



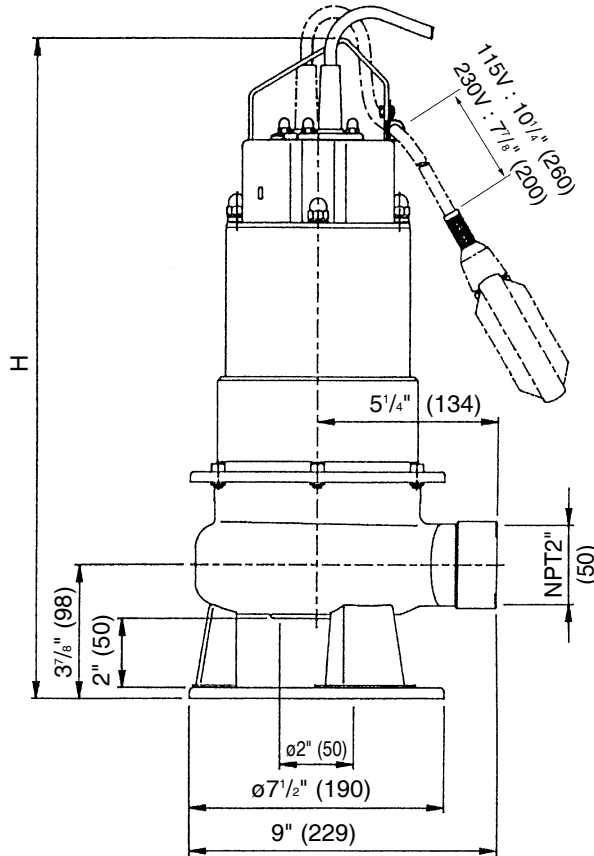
**Dimensions**

Project: \_\_\_\_\_ Model: \_\_\_\_\_ Chk'd: \_\_\_\_\_ Date: \_\_\_\_\_

**Model DWAU**  
**Model DWXAU**

Automatic Operation Pumps

Unit: inch (mm)



**Model DWAU**

Phase	Size ø	Model	Output		Pump	Weight Lbs (kg)
			kw	HP	H	
Single	2" (50mm)	50DWAU6.4S	0.4	1/2	21 <sup>5</sup> / <sub>8</sub> (550)	35 (16)
		50DWAU6.75S	0.75	1	22 <sup>13</sup> / <sub>16</sub> (580)	40 (18)
		50DWAU6.4S2	0.4	1/2	19 <sup>1</sup> / <sub>8</sub> (485)	35 (16)
		50DWAU6.75S2	0.75	1	20 <sup>1</sup> / <sub>4</sub> (515)	40 (18)
		50DWAU61.1S2	1.1	1 1/2	20 <sup>1</sup> / <sub>4</sub> (515)	44 (20)

**Model DWXAU**

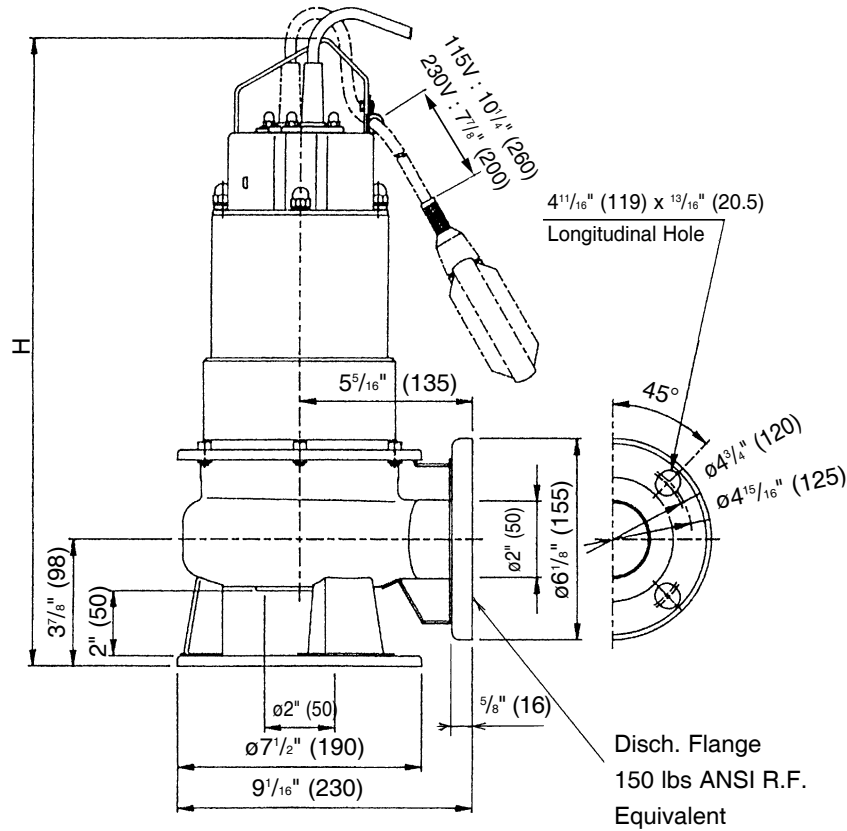
Phase	Size ø	Model	Output		Pump	Weight Lbs (kg)
			kw	HP	H	
Single	2" (50mm)	50DWXAU6.4S	0.4	1/2	21 <sup>5</sup> / <sub>8</sub> (550)	35 (16)
		50DWXAU6.75S	0.75	1	22 <sup>13</sup> / <sub>16</sub> (580)	40 (18)
		50DWXAU6.4S2	0.4	1/2	19 <sup>1</sup> / <sub>8</sub> (485)	35 (16)
		50DWXAU6.75S2	0.75	1	20 <sup>1</sup> / <sub>4</sub> (515)	40 (18)
		50DWXAU61.1S2	1.1	1 1/2	20 <sup>1</sup> / <sub>4</sub> (515)	44 (20)

**Dimensions**

Project: \_\_\_\_\_ Model: \_\_\_\_\_ Chk'd: \_\_\_\_\_ Date: \_\_\_\_\_

**Model DWFAU**  
**Model DWXFAU**  
 Automatic Operation Pumps

Unit: inch (mm)



**Model DWFAU**

Phase	Size ø	Model	Output		Pump	Weight Lbs (kg)
			kw	HP	H	
Single	2" (50mm)	50DWFAU6.4S	0.4	1/2	21 5/8 (550)	37 (17)
		50DWFAU6.75S	0.75	1	22 13/16 (580)	42 (19)
		50DWFAU6.4S2	0.4	1/2	19 1/8 (485)	37 (17)
		50DWFAU6.75S2	0.75	1	20 1/4 (515)	42 (19)
		50DWFAU61.1S2	1.1	1 1/2	20 1/4 (515)	46 (21)

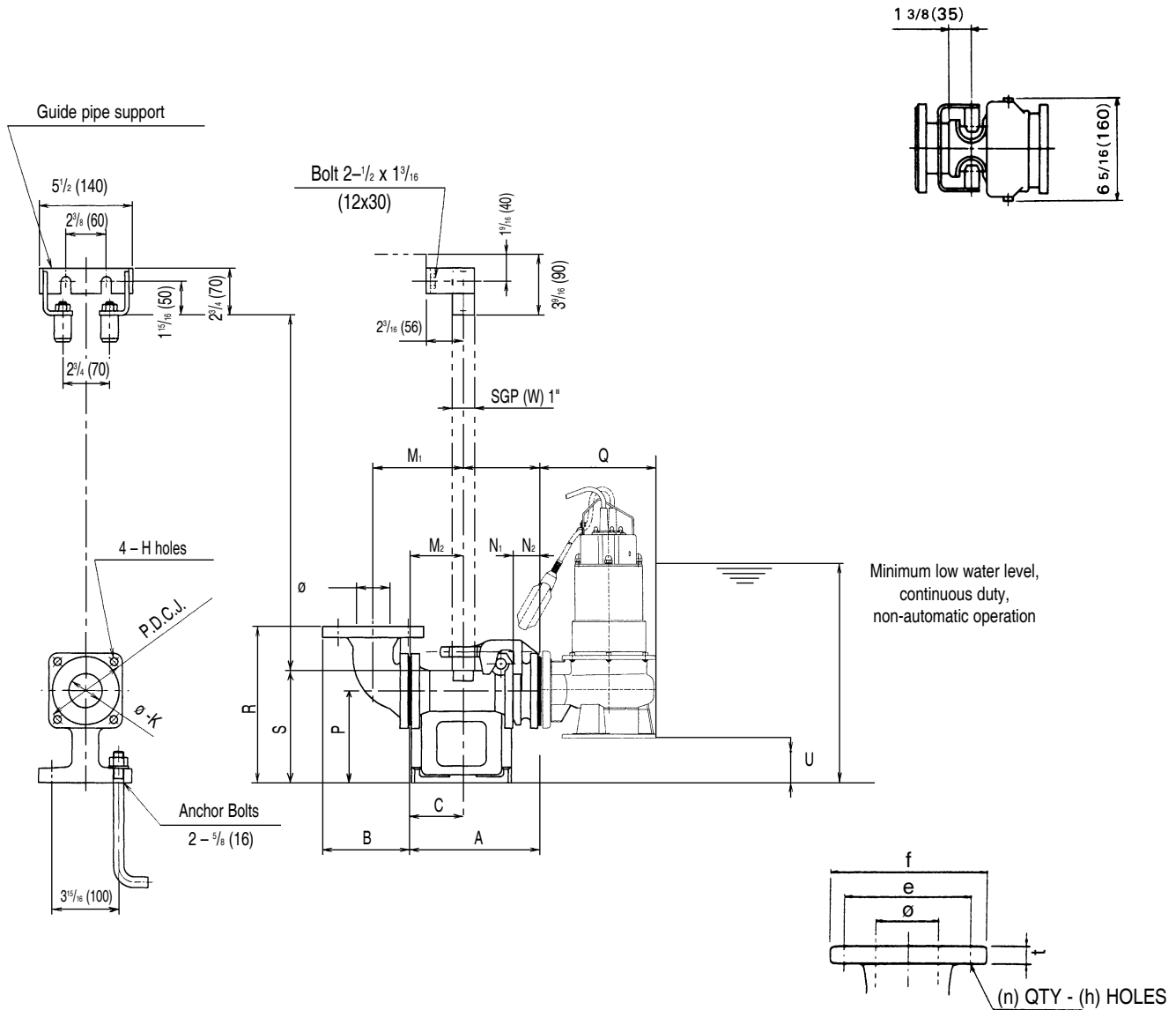
**Model DWXFAU**

Phase	Size ø	Model	Output		Pump	Weight Lbs (kg)
			kw	HP	H	
Single	2" (50mm)	50DWXFAU6.4S	0.4	1/2	21 5/8 (550)	37 (17)
		50DWXFAU6.75S	0.75	1	22 13/16 (580)	42 (19)
		50DWXFAU6.4S2	0.4	1/2	19 1/8 (485)	37 (17)
		50DWXFAU6.75S2	0.75	1	20 1/4 (515)	42 (19)
		50DWXFAU61.1S2	1.1	1 1/2	20 1/4 (515)	46 (21)

**Dimensions**

Project: \_\_\_\_\_ Model: \_\_\_\_\_ Chk'd: \_\_\_\_\_ Date: \_\_\_\_\_

**Model DWFU with Quick Discharge Connector**



**Flange (ANSI 125 PSI F.F)**

inch					
ø	e	f	t	n	h
2	4 <sup>3</sup> / <sub>4</sub>	6	5 <sup>5</sup> / <sub>8</sub>	4	3 <sup>3</sup> / <sub>4</sub>

mm					
ø	e	f	t	n	h
50	121	152	16	4	19

**Dimensions: inch**

MODEL	A	B	C	H	J	K	M <sub>1</sub>	M <sub>2</sub>	N <sub>1</sub>	N <sub>2</sub>	P	Q	R	S	U	QDC WEIGHT Lb
LM50	7 <sup>11</sup> / <sub>16</sub>	5 <sup>1</sup> / <sub>4</sub>	3 <sup>3</sup> / <sub>8</sub>	1 <sup>1</sup> / <sub>2</sub>	4 <sup>3</sup> / <sub>4</sub>	2	5 <sup>5</sup> / <sub>16</sub>	3 <sup>1</sup> / <sub>8</sub>	4 <sup>1</sup> / <sub>2</sub>	1 <sup>9</sup> / <sub>16</sub>	5 <sup>5</sup> / <sub>16</sub>	9 <sup>1</sup> / <sub>8</sub>	9 <sup>1</sup> / <sub>16</sub>	6 <sup>1</sup> / <sub>2</sub>	2 <sup>5</sup> / <sub>16</sub>	25

**Dimensions: mm**

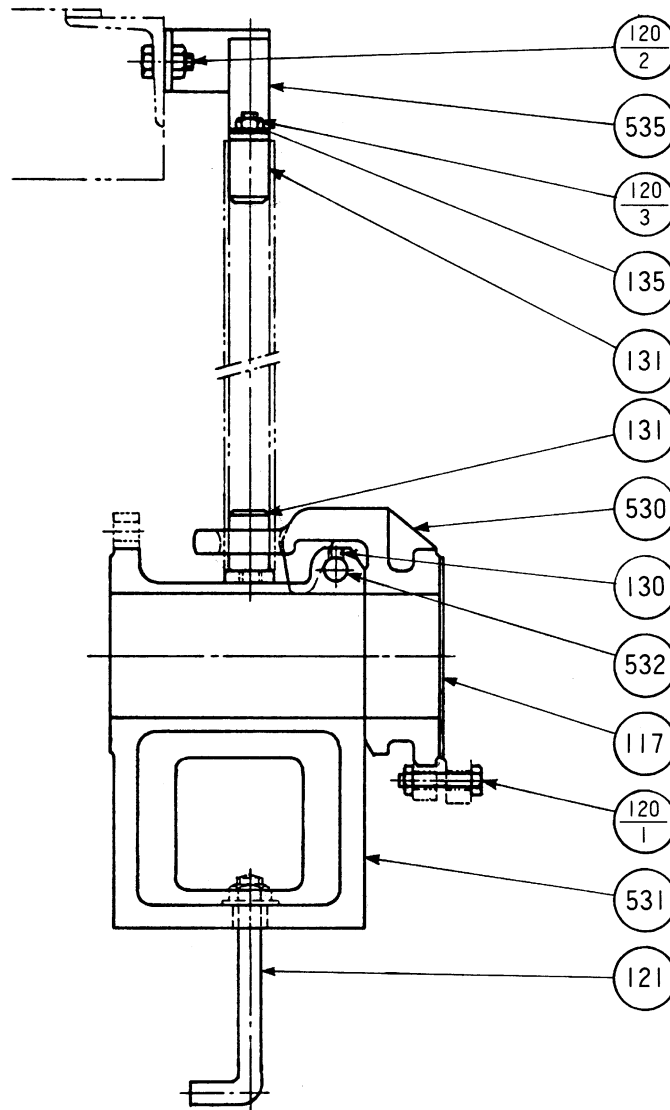
MODEL	A	B	C	H	J	K	M <sub>1</sub>	M <sub>2</sub>	N <sub>1</sub>	N <sub>2</sub>	P	Q	R	S	U	QDC WEIGHT kg
LM50	195	133	80	12	120	2	135	80	115	40	135	230	230	165	55	12



**Dimensions**

Project: \_\_\_\_\_ Model: \_\_\_\_\_ Chk'd: \_\_\_\_\_ Date: \_\_\_\_\_

**Models LM50**



Part No.	Part Name	Material		ASTM, AISI, CODE		No. for 1 Unit
		Model LM	Model LME	Model LM	Model LME	
117	Gasket					1
120-1	Bolt & Nut	304 Stainless		AISI304		4
120-2	Bolt & Nut	304 Stainless		AISI304		2
120-3	Nut	304 Stainless		AISI304		2
121	Anchor Bolt	Steel		A283 Grade D		2
130	Set Screw	304 Stainless		AISI304		1
131	Guide Pin	Steel	Brass	A283 Grade D	B36 C27200	4
135	Washer	304 Stainless		AISI403		2
530	Connector	Cast Iron	Bronze	A48 Class 30	B584 C83600	1
531	Body	Cast Iron		A48 Class 30		1
532	Support Bar	420 Stainless		AISI420		1
535	Guide Support Plate	Steel		A283 Grade D		1