

Submersible Sewage Pump

Model DWU/DWXU Dominator



Parts Reference



EBARA

EBARA Pumps Americas Corporation

EBARA Submersible Stainless Steel Pumps DWU, DWAU, DWXU, DWXAU – Dominator

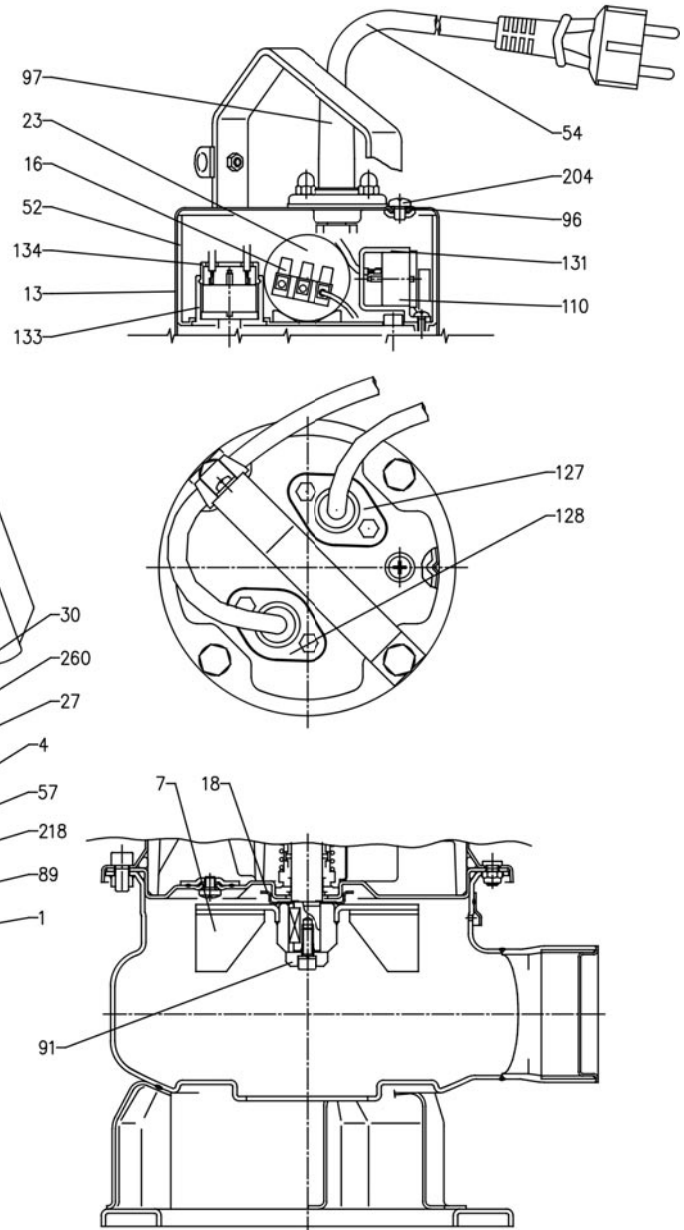
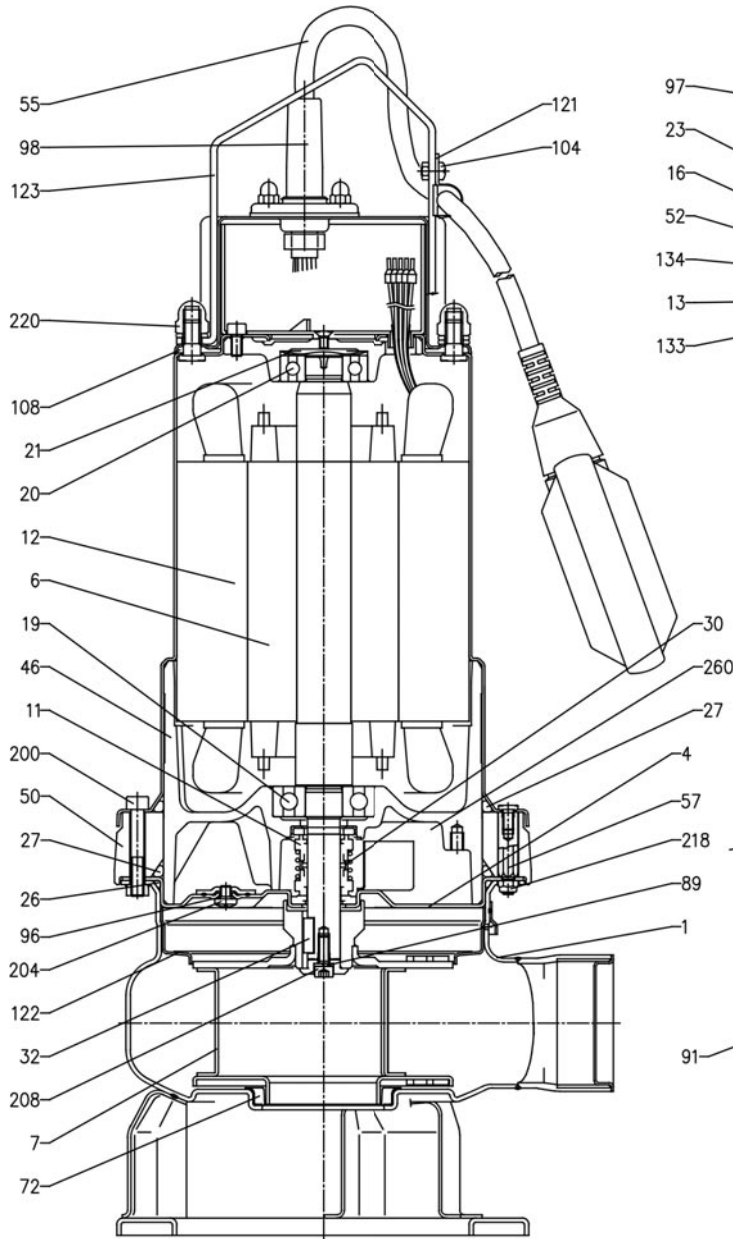
Sectional View

Project: _____ Model: _____ Chk'd: _____ Date: _____

Model DWU, DWXU Manual Type
Model DWAU, DWXAU Automatic Type

DWU, DWAU Single Phase Motor

Three Phase Motor



EBARA Submersible Stainless Steel Pumps DWU, DWAU, DWXU, DWXAU – Dominator

Sectional View

Project:

Model:

Chk'd:

Date:

SECTIONAL VIEW TABLE

N°	Part Name	Material	QTY
1	Casing	AISI 304	1
4	Casing Cover	AISI 304	1
6	Shaft with rotor	AISI 304	1
7	Impeller	AISI 304	1
11	Mechanical Seal [7]	SiC/SiC/NBR	1
11	Mechanical Seal [7]	Carbon/Ceramic/NBR	1
12	Motor frame with stator	-	1
13	Motor cover	AISI 304	1
16	Terminal	-	1
18	Mechanical seal protection	AISI 304	1
19	Lower side ball bearing	-	1
20	Upper side ball bearing	-	1
21	Adjusting ring	Steel C70	1
23	Capacitor [1]	-	1
26	O ring	NBR	1
27	O ring	NBR	1
27	O ring [2]	NBR	1
30	Mechanical seal spacer	Brass	1
32	Key	AISI 316	1
46	Bearing housing	G20	1
50	Spacer [2]	G20	1
52	Terminal insulating box	-	1
54	Power cable	-	1
55	Float switch [4]	-	1

N°	Part Name	Material	QTY
57	Spacer [2]	AISI 304	4
72	Casing ring [4]	NBR	1
89	Washer	AISI 304	1
91	Washer	AISI 304	1
96	O ring	NBR	3
97	Power cable entry	NBR	1
98	Floating sw cable entry [3]	NBR	1
104	Cable guard [3]	NBR	1
108	Cover gasket	NBR	1
110	Protector [1]	-	2
121	Support for float switch [3]	AISI 304	1
122	Impeller protection ring [5]	AISI 304	1
123	Handle	AISI 304	1
127	Power cable connector	AISI 304	1
128	Floating sw. cable connector [3]	AISI 304	1
131	Support for protector [6]	PA66	1
133	Support for probe [6]	Aluminum	1
134	Cover for support probe [6]	PA66	1
200	Screw	Stainless Steel A2 UNI 7323	6
204	Screw	Stainless Steel A2 UNI 7323	3
208	Screw	Stainless Steel A2 UNI 7323	1
218	Nut	Stainless Steel A2 UNI 7323	4
220	Nut	Stainless Steel A2 UNI 7323	4
260	Lubricating liquid	White mineral oil	-

[1] Only for Single phase

[2] Only for DW-DW Vox 3006

[3] Only for Single phase with float switch

[4] Only for DW

[5] Except for DW Vox 1506, 2006 and 3006

[6] Only for Single phase with external motor protection

[7] See MECHANICAL SEAL page 1-160

