

EBARA Submersible Stainless Steel Pumps DWU, DWAU, DWXU, DWXAU – Dominator

Sectional View

Project:

Model:

Chk'd:

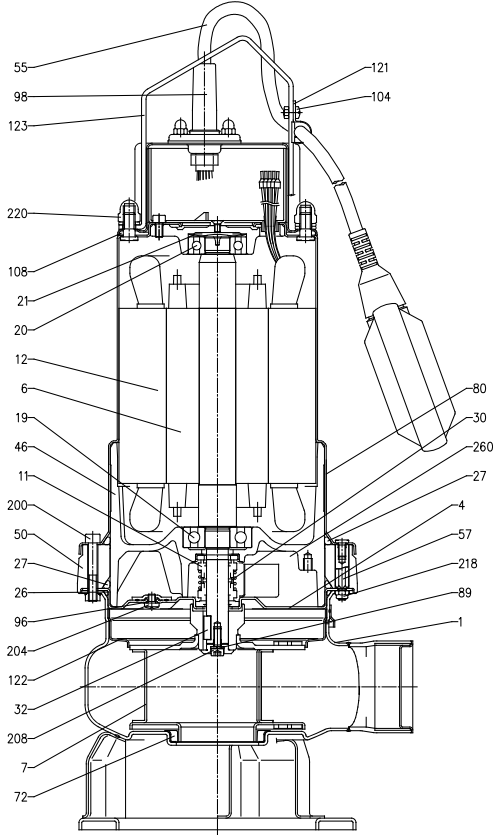
Date:

Model DWU, DWXU or DWFU, DWXFU Manual Type

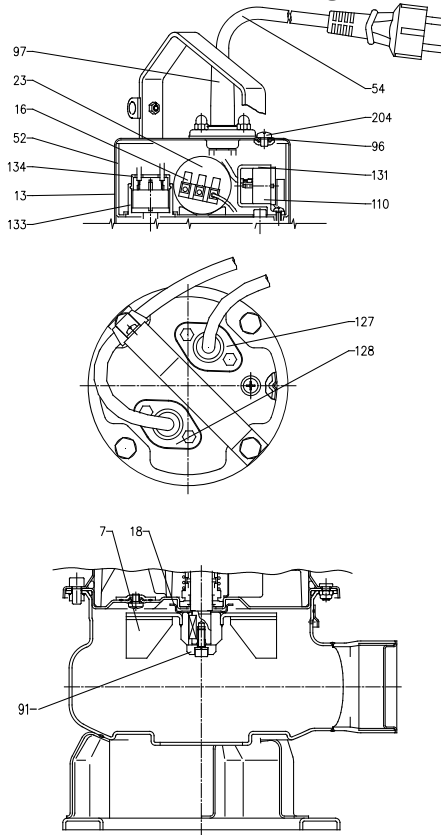
Model DWAU, DWXAU or DWAFU, DWXAFU Automatic Type

Standard 2" NPT discharge shown, add "F" to model number to change to an ANSI Flanged discharge

Three Phase Motor



DWU, DWAU Single Phase Motor



Part No.	Part Name	Material	ASTM, AISI Code	No. for 1 Unit
001	Casing	304 SS	AISI 304	1
016-1	Casing Cover	304 SS	AISI 304	1
016-2	Disk	304 SS	AISI 304	1
016-3	Seal Support	304 SS	AISI 304	1
021	Impeller	304 SS	AISI 304	1
039	Key	304 SS	AISI 304	1
*050	Bracket	304SS, CI	AISI 304, C30	1
095	Float Switch Stay	—		1
107	Casing Ring	Viton		1
*111	Mechanical Seal	—		1 Set
*115-1	O-ring	Viton		1
*115-2	O-ring	Viton		1
*115-3	O-ring	Viton		3
*117	Gasket	Viton		1
125	Impeller Bolt	304 SS	AISI 304	1
129	Nut	304 SS	AISI 304	4
135-1	Washer	304 SS	AISI 304	1
135-2	Washer	304 SS	AISI 304	1
135-3	Washer	304 SS	AISI 304	4

Part No.	Part Name	Material	ASTM, AISI Code	No. for 1 Unit
200	Lifting Hanger	304 SS	AISI 304	1
262	Float Switch	—		1
801	Rotor	—		1
802	Stator	—		1
809	Capacitor	—		1
811-1	Submersible Cable	—		1
811-2	Sensor Cable	—		1
814	Motor Frame	304 SS	AISI 304	1
816	Bracket	304 SS	AISI 304	1
817	Bracket	304 SS	AISI 304	1
830	Shaft	304 SS	AISI 304	1
844	Motor Protector Bracket	Plastic		1
848	Motor Protector	—		1
*849-1	Ball Bearing	—		1
*849-2	Ball Bearing	—		1
862-1	Cable Connector	Rubber (NBR)		1
862-2	Cable Connector	Rubber (NBR)		1
915	External Terminal	—		1
932	Capacitor Holder	Nylon		1

Remarks:

*Recommended spare parts.

Part No. 095, 262, 862-2 are only installed on automatic operation models.

Part No. 107 is only installed on model DW/DWA/DWF/DWFA single channel impeller.

Part No. 809 is only installed on single phase models.

Part No. 915 is installed only for three phase models.

*1/2HP, 1HP, 1 1/2HP - 304SS Material, AISI 304

*2HP, 3HP Cast Iron Material, C30



EBARA Fluid Handling

www.pumpsebara.com

(803) 327-5005 • (803) 327-5097 (fax)

1-146

rev. 03/13