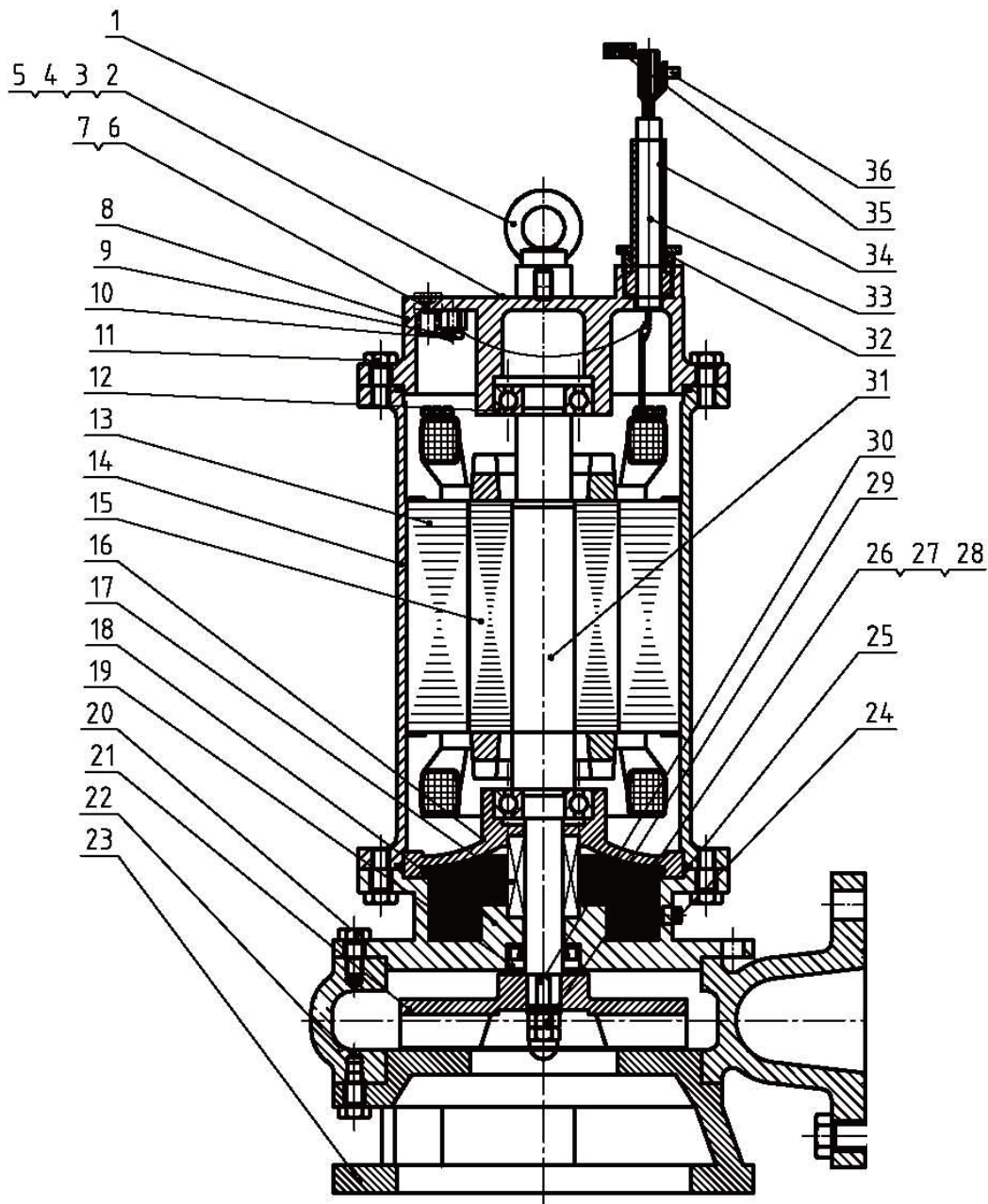


Sectional View

Project: Model: Chk'd: Date:

Model 50ENZX634



Sectional View - Parts Reference

Project: _____ Model: _____ Chk'd: _____ Date: _____

Model 50ENZX634

Item No.	Part Description	Part Number	QTY for 1 pump	Material
6	Bolt M10x1.0x16	-	1	304 Stainless Steel
7	Washer	-	1	Rubber
8	Upper Bearing Seat	ENZX40033	1	Cast Iron
9	Top Cap	-	1	Cast Iron
10	Bolt M5x10	-	1	304 Stainless Steel
11	Bolt M8x20	-	8	304 Stainless Steel
12	Bearing	ENZX40029	2	-
13	Motor Assembly	-	1	-
17	Mechanical Seal	ENZX40012	1	-
18	Oil Chamber Cover	ENZX40036	1	Cast Iron
19	Lip Seal	ENZX40014	1	-
20	Bolt M8x16	-	8	304 Stainless Steel
21	Impeller	ENZX40008	1	Cast Iron
22	Pump Casing	ENZX40007	1	High Chrome Iron
23	Stand	ENZX40019	1	Cast Iron
24	Plug	ENZX40038	2	420 Stainless Steel
25	O-ring	ENZX40039	2	
26	Nut M12	-	1	304 Stainless Steel
27	Nut M12	-	1	304 Stainless Steel
28	Washer	-	1	304 Stainless Steel
29	L-TSA 32# Turbine Oil	-	-	-
30	Key	ENZX40040	1	420 Stainless Steel
32	Nut	-	1	304 Stainless Steel
33	Power Cable	ENZX40037	1	-

Sectional View

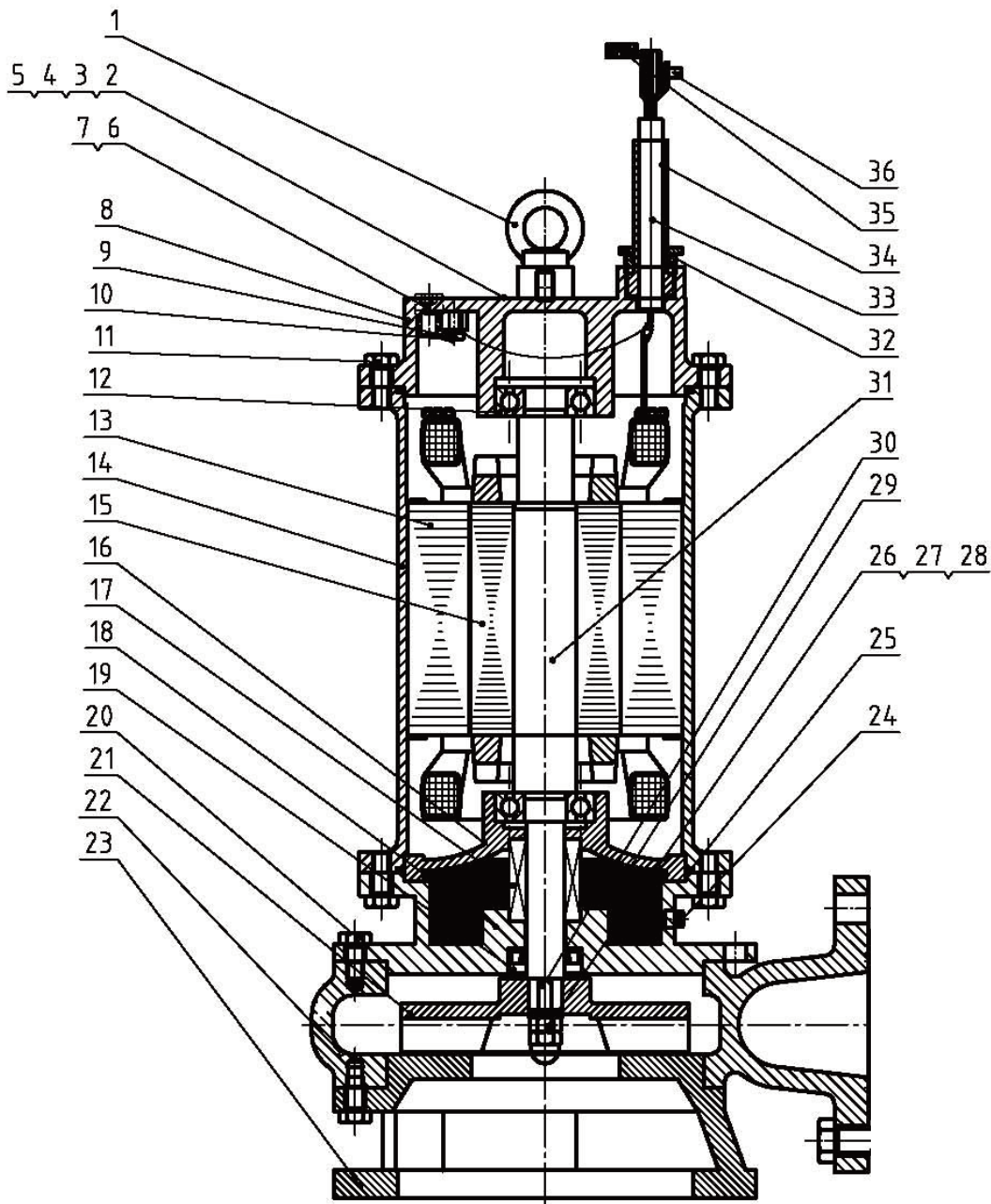
Project:

Model:

Chk'd:

Date:

Model 65ENZX63.74



Sectional View - Parts Reference

Project: _____ Model: _____ Chk'd: _____ Date: _____

Model 65ENZX63.74

Item No.	Part Description	Part Number	QTY for 1 pump	Material
6	Bolt M10x1.0x16	-	1	304 Stainless Steel
7	Washer 16	-	1	Rubber
8	Upper Bearing Seat	ENZX50033	1	Cast Iron
9	Top Cap	-	1	Cast Iron
10	Bolt M5x10	-	1	304 Stainless Steel
11	Bolt M8x20	-	8	304 Stainless Steel
12	Bearing	ENZX50029	2	-
13	Motor Assembly	-	1	-
17	Mechanical Seal	ENZX50012	1	-
18	Oil Chamber Cover	ENZX50037	1	Cast Iron
19	Lip Seal	ENZX50014	1	-
20	Bolt M8x16	-	8	304 Stainless Steel
21	Impeller	ENZX50008	1	Cast Iron
22	Pump Casing	ENZX50007	1	High Chrome Iron
23	Stand	ENZX50019	1	Cast Iron
24	Plug	ENZX50038	2	420 Stainless Steel
25	O-ring	ENZX50039	2	
26	Nut M12	-	1	304 Stainless Steel
27	Nut M12	-	1	304 Stainless Steel
28	Washer 12	-	1	304 Stainless Steel
29	L-TSA 32# Turbine Oil	-	-	-
30	Key	ENZX50040	1	420 Stainless Steel
32	Nut M24	-	1	304 Stainless Steel
33	Power Cable	ENZX50041	1	-

Sectional View

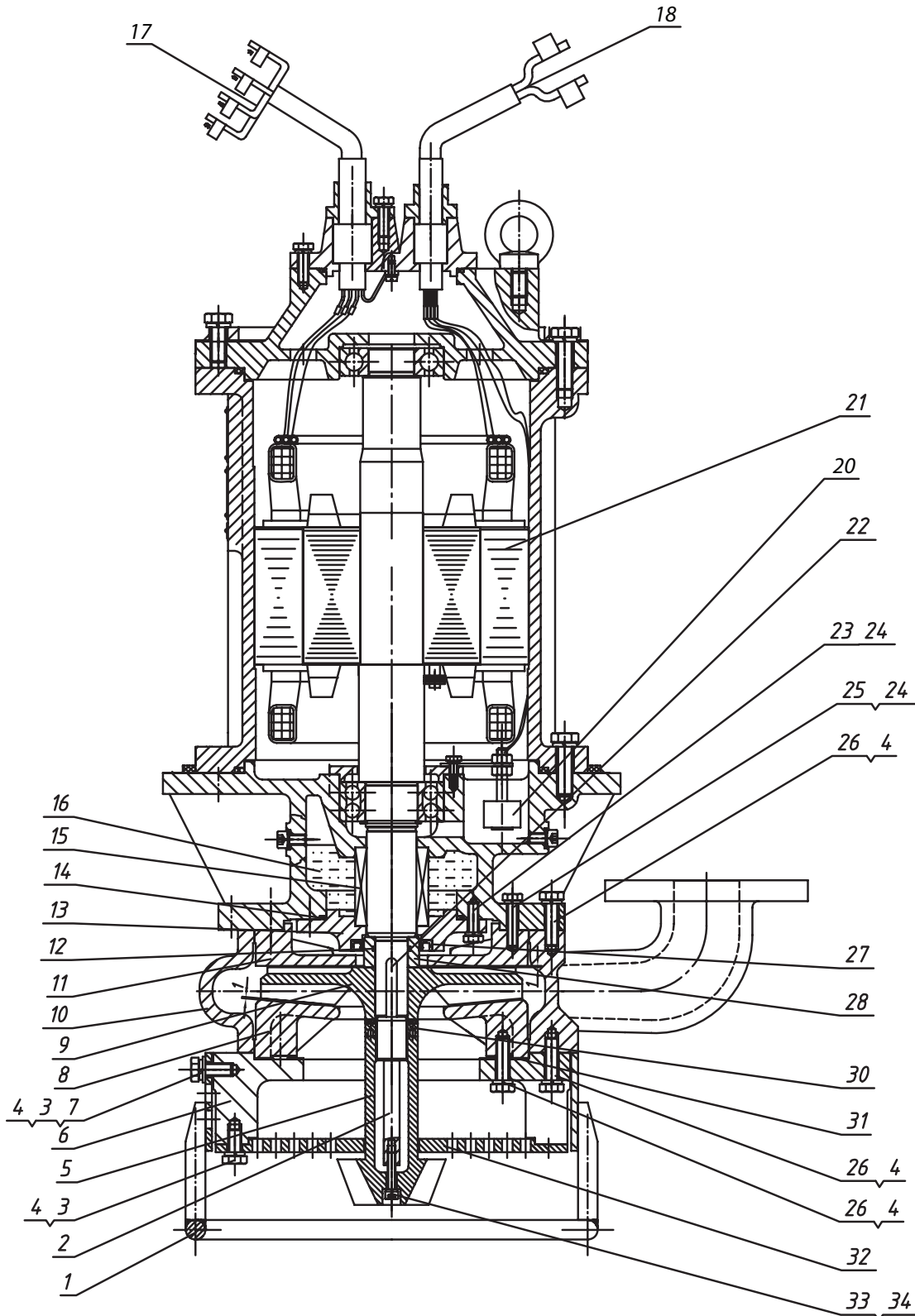
Project:

Model:

Chk'd:

Date:

Model 50ENZX65.54



Sectional View - Parts Reference

Project:

Model:

Chk'd:

Date:

Model 50ENZX65.54

Item No.	Part Description	Part Number	QTY for 1 pump	Material
1	Stand	ENZX75019	1	304 Stainless Steel
2	Fasten Bolt	ENZX75001*	1	304 Stainless Steel
3	Bolt M10X20	-	8	304 Stainless Steel
4	Washer 10	-	26	304 Stainless Steel
5	Agitator	ENZX75002	1	High Chrome Iron
6	Suction Frame	ENZX75005	1	Cast Iron
7	Washer 10	-	4	304 Stainless Steel
8	Suction Liner	ENZX75006	1	High Chrome Iron
9	Impeller	ENZX75008	1	High Chrome Iron
10	Pump Casing	ENZX75007	1	High Chrome Iron
11	Upper Liner	ENZX75010	1	High Chrome Iron
12	O-Ring 25X2.65	ENZX75015***	1	Buna
13	Lower Mech Seal Chamber Cover	ENZX75026	1	Cast Iron
14	O-Ring 100X3.55	ENZX75024	1	Buna
15	Mechanical Seal	ENZX75012	1	-
16	L-TSA 32# Turbine Oil	-	-	-
17	Power Cable	ENZX75016	1	-
18	Control Cable	ENZX75017	1	-
20	Leakage Detector	ENZX75018	1	-
21	Motor Assembly	-	1	Cast Iron
22	Key C8X45	ENZX75020	1	304 Stainless Steel
23	Bolt M8X25	-	8	304 Stainless Steel
24	Washer 8	-	16	304 Stainless Steel
25	Bolt M8X35	-	8	304 Stainless Steel
26	Bolt M10X35	-	18	304 Stainless Steel
27	Lip Seal	ENZX75014	1	-
28	Wear Bushing	ENZX75015***	1	304 Stainless Steel
29	Impeller Pressurer	ENZX75009**	1	Carbon Steel
30	Round Nut	ENZX75009**	1	304 Stainless Steel
31	Adjustment Washer	ENZX75021	-	Brass
32	Strainer	ENZX75022	1	304 Stainless Steel
33	Screw M6X30	ENZX75001*	1	304 Stainless Steel
34	Washer 6	ENZX75001*	1	304 Stainless Steel

* Fasten Bolt Kit

** Impeller Pressuer Kit

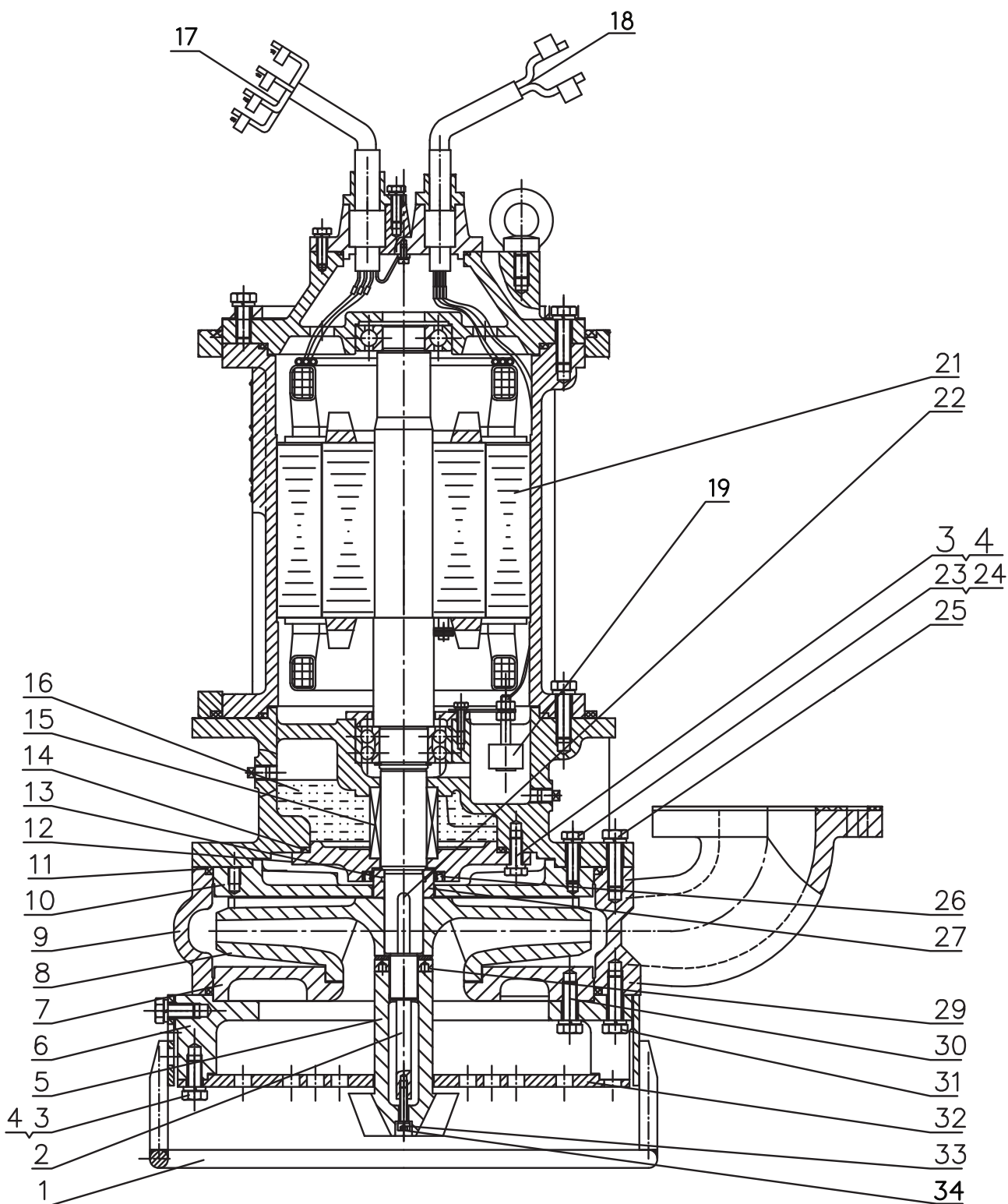
*** Wear Bushing Kit



Sectional View

Project: Model: Chk'd: Date:

Model 80ENZX67.54



Sectional View - Parts Reference

Project:

Model:

Chk'd:

Date:

Model 80ENZX67.54

Item No.	Part Description	Part Number	QTY for 1 pump	Material
1	Stand	ENZX10019	1	304 Stainless Steel
2	Fasten Bolt	ENZX10001*	1	304 Stainless Steel
3	Bolt M12X25	-	16	304 Stainless Steel
4	Washer 12	-	34	304 Stainless Steel
5	Agitator	ENZX10002	1	High Chrome Iron
6	Suction Frame	ENZX10005	1	Cast Iron
7	Suction Liner	ENZX10006	1	High Chrome Iron
8	Impeller	ENZX10008	1	High Chrome Iron
9	Pump Casing	ENZX10007	1	High Chrome Iron
10	Upper Liner	ENZX10010	1	High Chrome Iron
11	O-Ring 315X7.0	ENZX10013	2	Buna
12	Lower Mech Seal Chamber Cover	ENZX10026	1	Cast Iron
13	O-Ring 32X2.65	ENZX10015***	1	Buna
14	O-Ring 155X5.3	ENZX10024	1	Buna
15	Mechanical Seal	ENZX10012	1	-
16	L-TSA 32# Turbine Oil	-	-	-
17	Power Cable	ENZX10016	1	-
18	Control Cable	ENZX10017	1	-
19	Leakage Detector	ENZX10018	1	-
21	Motor Assembly	-	1	Cast Iron
22	Key C10X50	ENZX10020	1	304 Stainless Steel
23	Bolt M10X35	-	8	304 Stainless Steel
24	Washer 10	-	8	304 Stainless Steel
25	Bolt M12X40	-	6	304 Stainless Steel
26	Lip Seal	ENZX10014	1	-
27	Wear Bushing	ENZX10015***	1	304 Stainless Steel
28	Impeller Pressurer	ENZX10009**	1	Carbon Steel
29	Round Nut	ENZX10009**	1	304 Stainless Steel
30	Bolt M12X35	-	6	304 Stainless Steel
31	Bolt M12X45	-	6	304 Stainless Steel
32	Strainer	ENZX10022	1	304 Stainless Steel
33	Screw M6X30	ENZX10001*	1	304 Stainless Steel

* Fasten Bolt Kit

** Impeller Pressurer Kit

*** Wear Bushing Kit



Sectional View

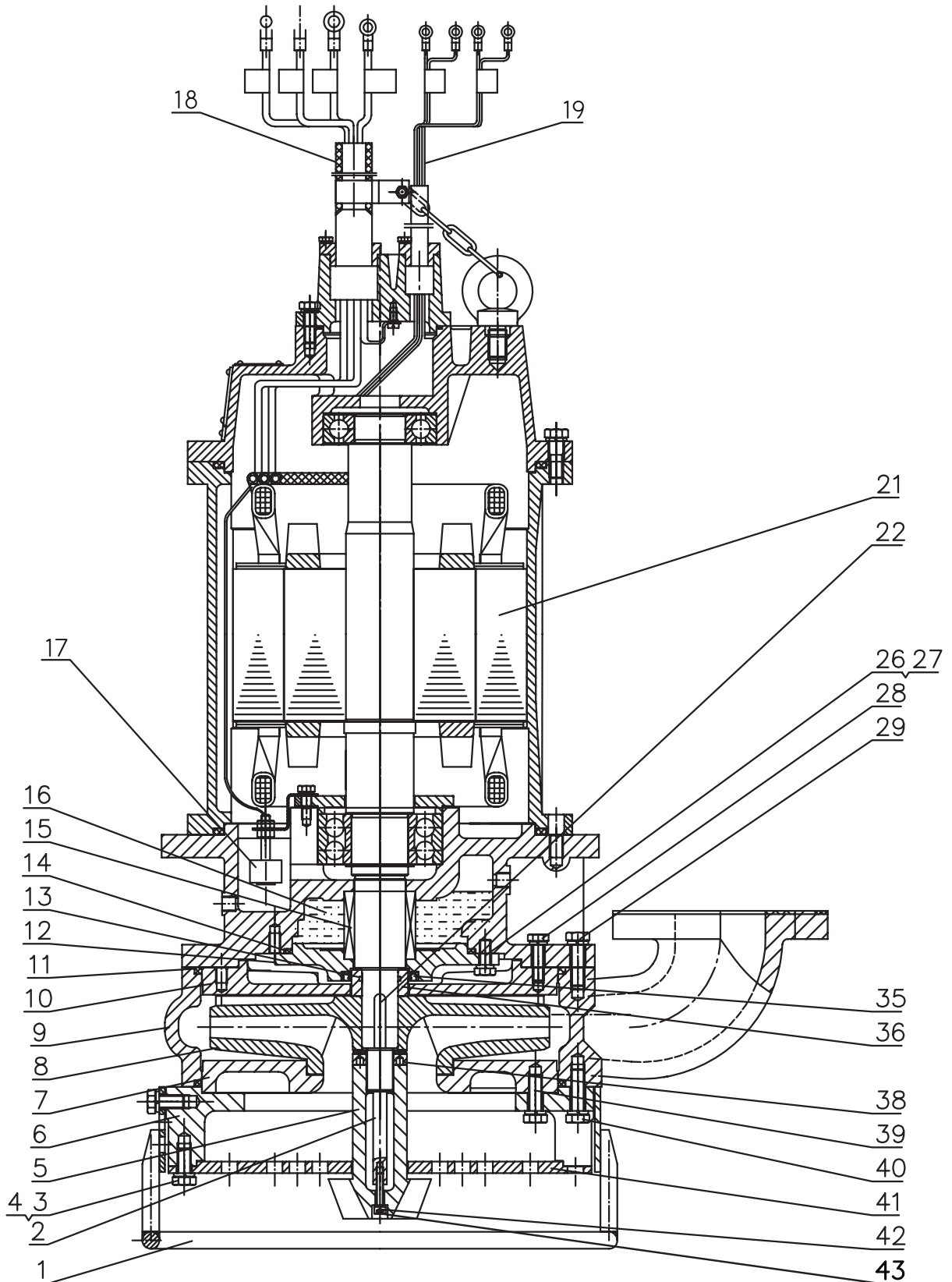
Project:

Model:

Chk'd:

Date:

Model 80ENZX6114



Sectional View - Parts Reference

Project:

Model:

Chk'd:

Date:

Model 80ENZX6114

Item No.	Part Description	Part Number	QTY for 1 pump	Material
1	Stand	ENZX15019	1	304 Stainless Steel
2	Fasten Bolt	ENZX15001*	1	304 Stainless Steel
3	Bolt M12X25	-	8	304 Stainless Steel
4	Washer 12	-	26	304 Stainless Steel
5	Agitator	ENZX15002	1	High Chrome Iron
6	Suction Frame	ENZX15005	1	Cast Iron
7	Suction Liner	ENZX15006	1	High Chrome Iron
8	Impeller	ENZX15008	1	High Chrome Iron
9	Pump Casing	ENZX15007	1	High Chrome Iron
10	Upper Liner	ENZX15010	1	High Chrome Iron
11	O-Ring 315X7.0	ENZX15013	2	Buna
12	Lower Mech Seal Chamber Cover	ENZX15026	1	Cast Iron
13	O-Ring 32X2.65	ENZX15015***	1	Buna
14	O-Ring 155X5.3	ENZX15024	1	Buna
15	Mechanical Seal	ENZX15012	1	-
16	L-TSA 32# Turbine Oil	-	-	-
17	Leakage Detector	ENZX15018	1	-
18	Power Cable	ENZX15016	1	-
19	Control Cable	ENZX15017	1	-
21	Motor Assembly	-	1	Cast Iron
22	Key C10X50	ENZX15020	1	304 Stainless Steel
26	Bolt M10X25	-	8	304 Stainless Steel
27	Washer 10	-	16	304 Stainless Steel
28	Bolt M10X35	-	8	304 Stainless Steel
29	Bolt M10X40	-	6	304 Stainless Steel
35	Lip Seal	ENZX15014	1	-
36	Wear Bushing	ENZX15015***	1	304 Stainless Steel
37	Impeller Pressurer	ENZX15009**	1	Carbon Steel
38	Round Nut	ENZX15009**	1	304 Stainless Steel
39	Bolt M12X35	-	6	304 Stainless Steel
40	Bolt M12X45	-	6	304 Stainless Steel
41	Strainer	ENZX15022	1	304 Stainless Steel
42	Screw M6X30	ENZX15001*	1	304 Stainless Steel

* Fasten Bolt Kit

** Impeller Pressurer Kit

*** Wear Bushing Kit



Sectional View

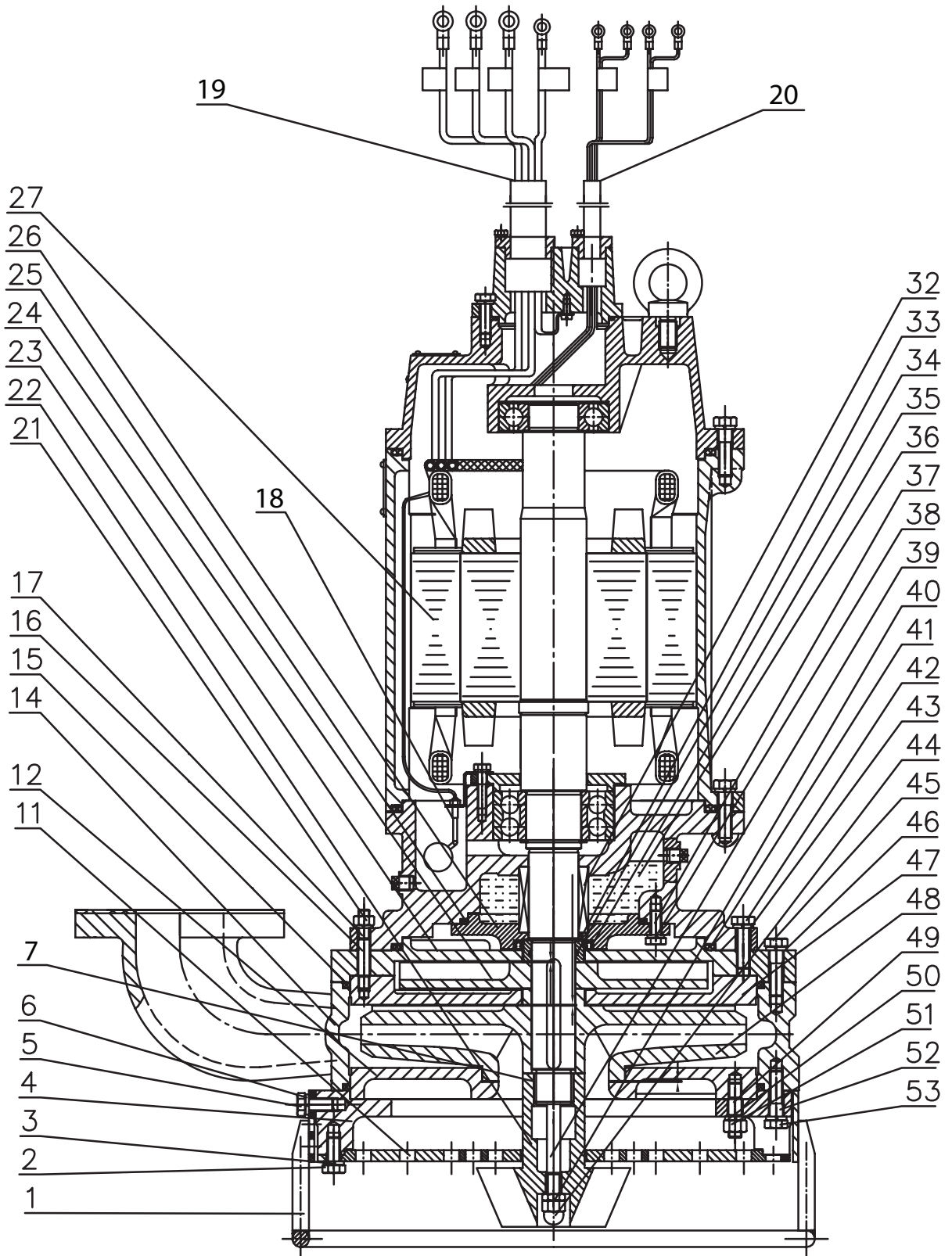
Project:

Model:

Chk'd:

Date:

Model 80ENZX6154 – Two-Stage Model



Sectional View - Parts Reference

Project:

Model:

Chk'd:

Date:

Model 80ENZX6154 – Two-Stage Model

Item No.	Part Description	Part Number	QTY for 1 pump	Material
1	Nut M12	ENZXC20027**	1	304 Stainless Steel
2	Nut M12	ENZXC20027**	1	304 Stainless Steel
3	Stand	ENZXC20019	1	304 Stainless Steel
4	Threaded Shaft Extension	ENZXC20001	1	304 Stainless Steel
5	Strainer	ENZXC20022	1	304 Stainless Steel
6	Agitator	ENZXC20002	1	High Chrome Iron
7	Washer 12	-	27	304 Stainless Steel
8	Bolt M12X30	-	4	304 Stainless Steel
9	Suction Liner	ENZXC20006	1	High Chrome Iron
10	O-Ring	ENZXC20013*	1	Buna
11	Pump Casing	ENZXC20007	1	High Chrome Iron
12	Key 12X40	ENZXC20020	1	304 Stainless Steel
13	Impeller	ENZXC20008	1	High Chrome Iron
14	Upper Liner	ENZXC20010	1	High Chrome Iron
15	Wear Bushing	ENZXC20015	1	304 Stainless Steel
16	Lip Seal	ENZXC20014	1	-
17	O-Ring	ENZXC20013*	1	Buna
18	Lower Mech Seal Chamber Cover	ENZXC20026	1	Cast Iron
19	Leakage Detector	ENZXC20018	1	-
20	Power Cable	ENZXC20016	1	-
21	Control Cable	ENZXC20017	1	-
22	Mechanical Seal	ENZXC20012	1	-
23	L-TSA 32# Turbine Oil	-	-	-
24	O-Ring	ENZXC20013*	1	Buna
25	Bolt M12X25	-	8	304 Stainless Steel
26	Nut M10	-	3	304 Stainless Steel
27	Bolt A M10X35	-	3	304 Stainless Steel
28	Bolt M12X35	-	6	304 Stainless Steel
29	Adjustment Washer	ENZXC20021	-	Brass
30	Screw M12X30	-	6	304 Stainless Steel
31	Fix Bolt	-	4	304 Stainless Steel
32	Washer 16	-	4	304 Stainless Steel
33	Nut M15	-	4	304 Stainless Steel
34	Impeller Nut	ENZXC20009	1	304 Stainless Steel

* O-Ring Kit

** Agitator Bolt Kit



Sectional View

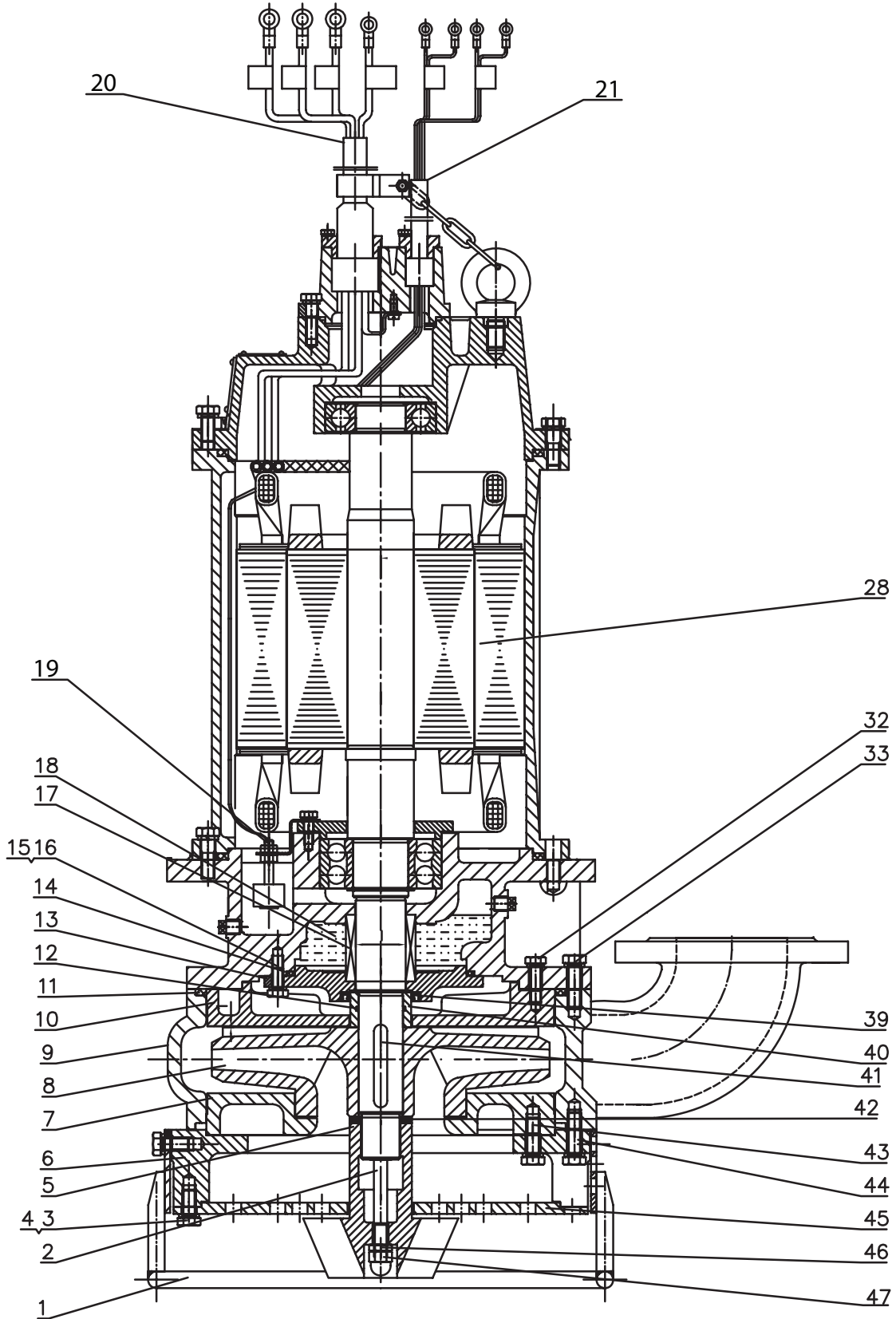
Project:

Model:

Chk'd:

Date:

Model 100ENZXA6154



Sectional View - Parts Reference

Project:

Model:

Chk'd:

Date:

Model 100ENZXA6154

Item No.	Part Description	Part Number	QTY for 1 pump	Material
1	Stand	ENZXA20019	1	304 Stainless Steel
2	Threaded Shaft Extension	ENZXA20001	1	304 Stainless Steel
3	Bolt M12X25	-	8	304 Stainless Steel
4	Washer 12	-	32	304 Stainless Steel
5	Agitator	ENZXA20002	1	High Chrome Iron
6	Suction Frame	ENZXA20005	1	Cast Iron
7	Suction Liner	ENZXA20006	1	High Chrome Iron
8	Impeller	ENZXA20008	1	High Chrome Iron
9	Pump Casing	ENZXA20007	1	High Chrome Iron
10	Upper Liner	ENZXA20010	1	High Chrome Iron
11	O-Ring	ENZXA20013*	2	Buna
12	O-Ring	ENZXA20013*	1	Buna
13	Lower Mech Seal Chamber Cover	ENZXA20026	1	Cast Iron
14	O-Ring	ENZXA20013*	1	Buna
15	Washer 10	-	16	304 Stainless Steel
16	Bolt M10X25	-	8	304 Stainless Steel
17	Mechanical Seal	ENZXA20012	1	-
18	L-TSA 32# Turbine Oil	-	-	-
19	Leakage Detector	ENZXA20018	1	-
20	Power Cable	ENZXA20016	1	-
21	Control Cable	ENZXA20017	1	-
28	Motor Assembly	-	1	Cast Iron
32	Bolt M10X35	-	8	304 Stainless Steel
33	Bolt M12X40	-	6	304 Stainless Steel
39	Lip Seal	ENZXA20014	1	-
40	Wear Bushing	ENZXA20015	1	304 Stainless Steel
41	Key C12X75	ENZXA20020	1	304 Stainless Steel
42	Impeller Nut	ENZXA20009	1	Carbon Steel
43	Bolt M12X35	-	6	304 Stainless Steel
44	Bolt M12X45	-	6	304 Stainless Steel
45	Strainer	ENZXA20022	1	304 Stainless Steel
46	Nut M12	ENZXA20027**	1	304 Stainless Steel
47	Nut M12	ENZXA20027**	1	304 Stainless Steel

* O-Ring Kit

** Agitator Bolt Kit



Sectional View

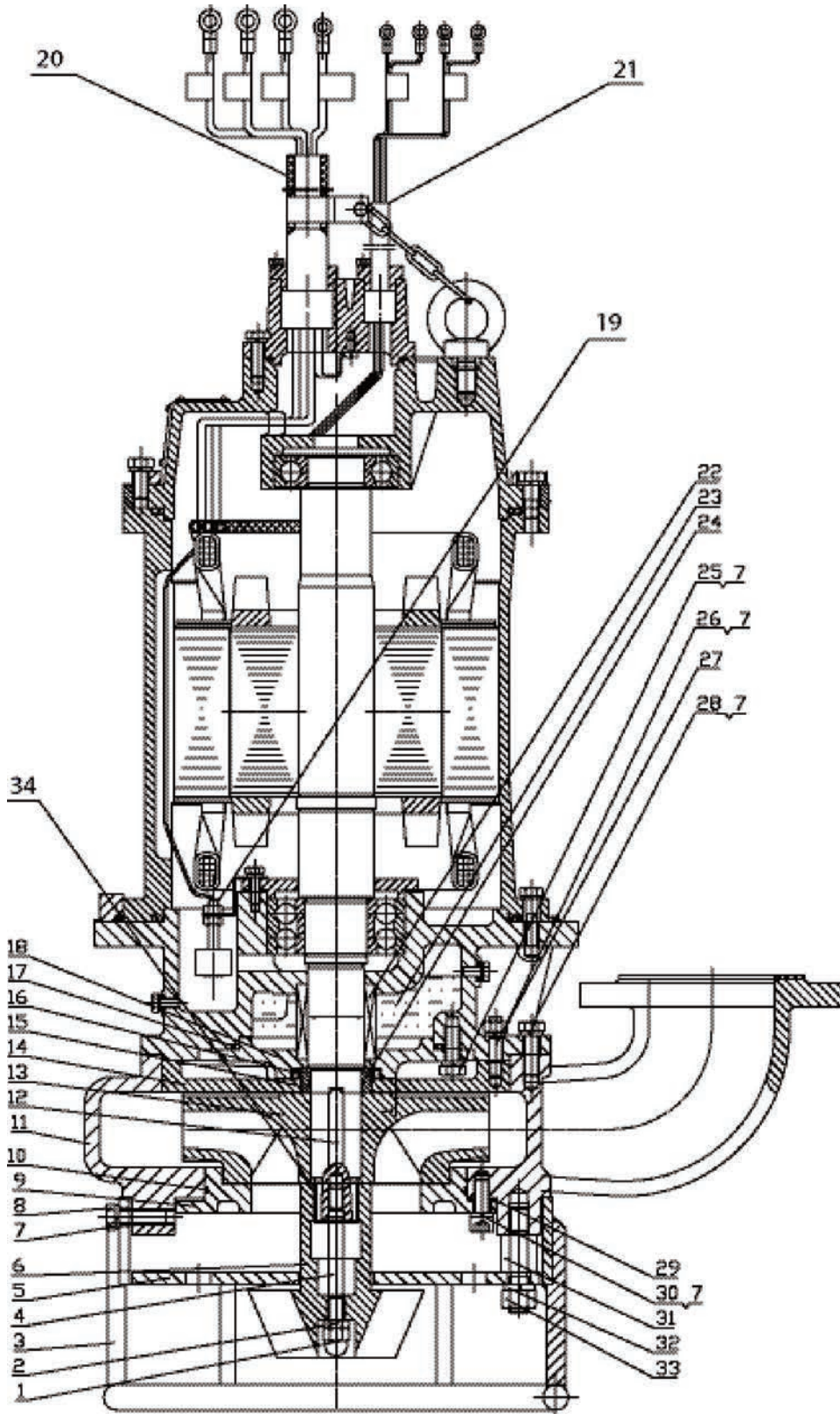
Project:

Model:

Chk'd:

Date:

Model 100ENZXB6154



Sectional View - Parts Reference

Project:

Model:

Chk'd:

Date:

Model 100ENZXB6154

Item No.	Part Description	Part Number	QTY for 1 pump	Material
1	Nut M12	ENZXB20027**	1	304 Stainless Steel
2	Nut M12	ENZXB20027**	1	304 Stainless Steel
3	Stand	ENZXB20019	1	304 Stainless Steel
4	Threaded Shaft Extension	ENZXB20001	1	304 Stainless Steel
5	Strainer	ENZXB20022	1	304 Stainless Steel
6	Agitator	ENZXB20002	1	High Chrome Iron
7	Washer 12	-	27	304 Stainless Steel
8	Bolt M12X30	-	4	304 Stainless Steel
9	Suction Liner	ENZXB20006	1	High Chrome Iron
10	O-Ring	ENZXB20013*	1	Buna
11	Pump Casing	ENZXB20007	1	High Chrome Iron
12	Key 12X40	ENZXB20020	1	304 Stainless Steel
13	Impeller	ENZXB20008	1	High Chrome Iron
14	Upper Liner	ENZXB20010	1	High Chrome Iron
15	Wear Bushing	ENZXB20015	1	304 Stainless Steel
16	Lip Seal	ENZXB20014	1	-
17	O-Ring	ENZXB20013*	1	Buna
18	Lower Mech Seal Chamber Cover	ENZXB20026	1	Cast Iron
19	Leakage Detector	ENZXB20018	1	-
20	Power Cable	ENZXB20016	1	-
21	Control Cable	ENZXB20017	1	-
22	Mechanical Seal	ENZXB20012	1	-
23	L-TSA 32# Turbine Oil	-	-	-
24	O-Ring	ENZXB20013*	1	Buna
25	Bolt M12X25	-	8	304 Stainless Steel
26	Nut M10	-	3	304 Stainless Steel
27	Bolt A M10X35	-	3	304 Stainless Steel
28	Bolt M12X35	-	6	304 Stainless Steel
29	Adjustment Washer	ENZXB20021	-	Brass
30	Screw M12X30	-	6	304 Stainless Steel
31	Fix Bolt	-	4	304 Stainless Steel
32	Washer 16	-	4	304 Stainless Steel
33	Nut M15	-	4	304 Stainless Steel
34	Impeller Nut	ENZXB20009	1	304 Stainless Steel

* O-Ring Kit

** Agitator Bolt Kit



Sectional View

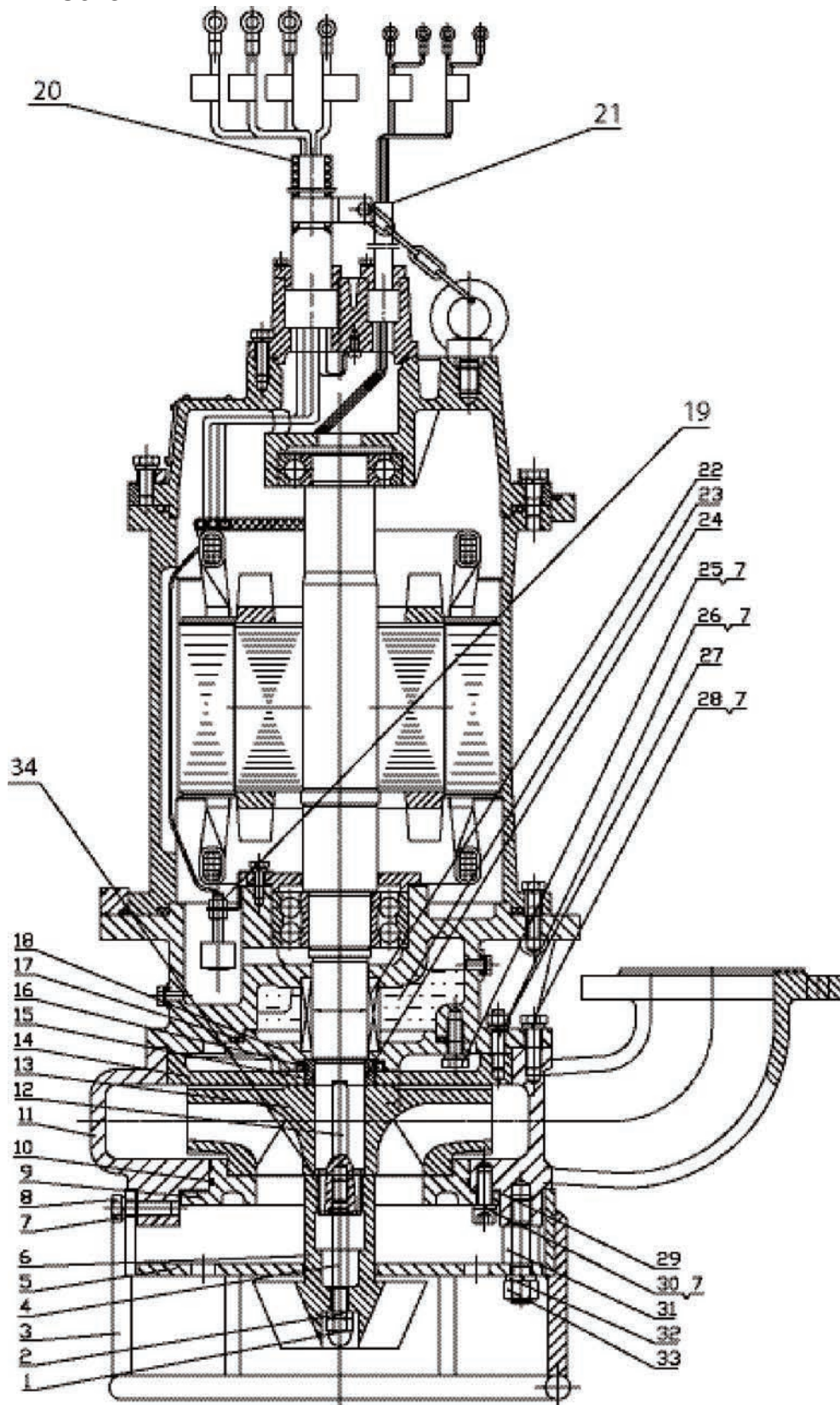
Project:

Model:

Chk'd:

Date:

Model 100ENZXC6154



Sectional View - Parts Reference

Project:

Model:

Chk'd:

Date:

Model 100ENZXC6154

Item No.	Part Description	Part Number	QTY for 1 pump	Material
1	Nut M12	ENZXC20027**	1	304 Stainless Steel
2	Nut M12	ENZXC20027**	1	304 Stainless Steel
3	Stand	ENZXC20019	1	304 Stainless Steel
4	Threaded Shaft Extension	ENZXC20001	1	304 Stainless Steel
5	Strainer	ENZXC20022	1	304 Stainless Steel
6	Agitator	ENZXC20002	1	High Chrome Iron
7	Washer 12	-	27	304 Stainless Steel
8	Bolt M12X30	-	4	304 Stainless Steel
9	Suction Liner	ENZXC20006	1	High Chrome Iron
10	O-Ring	ENZXC20013*	1	Buna
11	Pump Casing	ENZXC20007	1	High Chrome Iron
12	Key 12X40	ENZXC20020	1	304 Stainless Steel
13	Impeller	ENZXC20008	1	High Chrome Iron
14	Upper Liner	ENZXC20010	1	High Chrome Iron
15	Wear Bushing	ENZXC20015	1	304 Stainless Steel
16	Lip Seal	ENZXC20014	1	-
17	O-Ring	ENZXC20013*	1	Buna
18	Lower Mech Seal Chamber Cover	ENZXC20026	1	Cast Iron
19	Leakage Detector	ENZXC20018	1	-
20	Power Cable	ENZXC20016	1	-
21	Control Cable	ENZXC20017	1	-
22	Mechanical Seal	ENZXC20012	1	-
23	L-TSA 32# Turbine Oil	-	-	-
24	O-Ring	ENZXC20013*	1	Buna
25	Bolt M12X25	-	8	304 Stainless Steel
26	Nut M10	-	3	304 Stainless Steel
27	Bolt A M10X35	-	3	304 Stainless Steel
28	Bolt M12X35	-	6	304 Stainless Steel
29	Adjustment Washer	ENZXC20021	-	Brass
30	Screw M12X30	-	6	304 Stainless Steel
31	Fix Bolt	-	4	304 Stainless Steel
32	Washer 16	-	4	304 Stainless Steel
33	Nut M15	-	4	304 Stainless Steel
34	Impeller Nut	ENZXC20009	1	304 Stainless Steel

* O-Ring Kit

** Agitator Bolt Kit



Sectional View

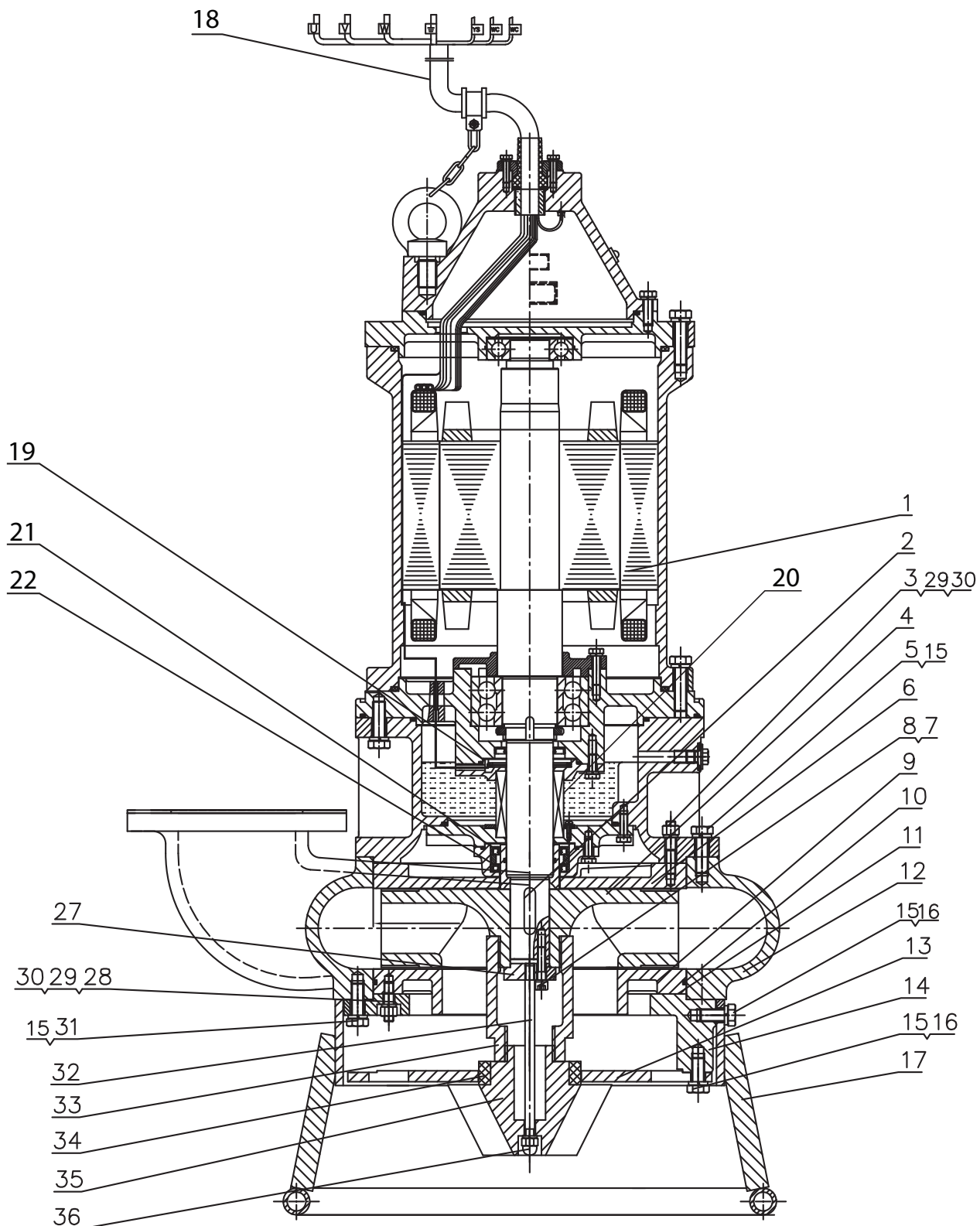
Project:

Model:

Chk'd:

Date:

Model 150ENZX6224



Sectional View - Parts Reference

Project:

Model:

Chk'd:

Date:

Model 150ENZ6224

Item No.	Part Description	Part Number	QTY for 1 pump	Material
1	Motor Assembly	-	1	Cast Iron
2	Key 14X60	ENZ30020	1	304 Stainless Steel
3	Bolt A M12X50	-	6	304 Stainless Steel
4	Impeller	ENZ30008	1	High Chrome Iron
5	Bolt M16X50	-	6	304 Stainless Steel
6	Upper Liner	ENZ30010	1	High Chrome Iron
7	Washer 10	-	4	304 Stainless Steel
8	Screw M10X45	-	4	304 Stainless Steel
9	Suction Liner	ENZ30006	1	High Chrome Iron
10	O-Ring	ENZ30013	1	Buna
11	Adjustment Washer	ENZ30021	-	Brass
12	Pump Casing	ENZ30007	1	High Chrome Iron
13	Strainer	ENZ30022	1	304 Stainless Steel
14	Suction Frame	ENZ30005	1	Cast Iron
15	Washer 16	-	20	304 Stainless Steel
16	Bolt M16X35	-	8	304 Stainless Steel
17	Stand	ENZ30019	1	304 Stainless Steel
18	Power Cable	ENZ30016	1	-
19	Leakage Detector	ENZ30018	1	-
20	Mechanical Seal	ENZ30012	1	-
21	Lip Seal	ENZ30014	1	-
22	Wear Bushing	ENZ30015	1	304 Stainless Steel
27	Impeller Nut	ENZ30009	1	Carbon Steel
28	Bolt A M12X35	-	6	304 Stainless Steel
29	Washer 12	-	15	304 Stainless Steel
30	Nut M12	-	15	304 Stainless Steel
31	Bolt M16X45	-	6	304 Stainless Steel
32	Threaded Shaft Extension	ENZ30001	1	304 Stainless Steel
33	Hub	ENZ30004	1	High Chrome Iron
34	Rubber Bushing	ENZ30003	1	Rubber
35	Agitator	ENZ30002	1	High Chrome Iron
36	Nut M12	ENZ30027	1	304 Stainless Steel

