

Contents

Section	Page
Model Designation	2
Features	3
Standard Specifications	4
Selection Chart	5
Performance Curves	6
Dimension Drawing	11
Sectional View	12
Motor Data	32
Standard Control Panels	33



Model Designation



DISCHARGE SIZE

- 50 mm – 2"
- 65 mm – 2 1/2"
- 80 mm – 3"
- 100 mm – 4"
- 150 mm – 6"

MODEL TYPE

ENZX – Submersible Slurry Pump

HYDRAULIC DESIGN

- None – Standard Design
- A – Alternate Design
- B – Alternate Design
- C – Alternate Design

HERTZ

6 – 60

RATED KW

- | | |
|--------------|------------|
| 3 – 4 HP | 11 – 15 HP |
| 3.7 – 5HP | 15 – 20 HP |
| 5.5 – 7.5 HP | 22 – 30 HP |
| 7.5 – 10 HP | |

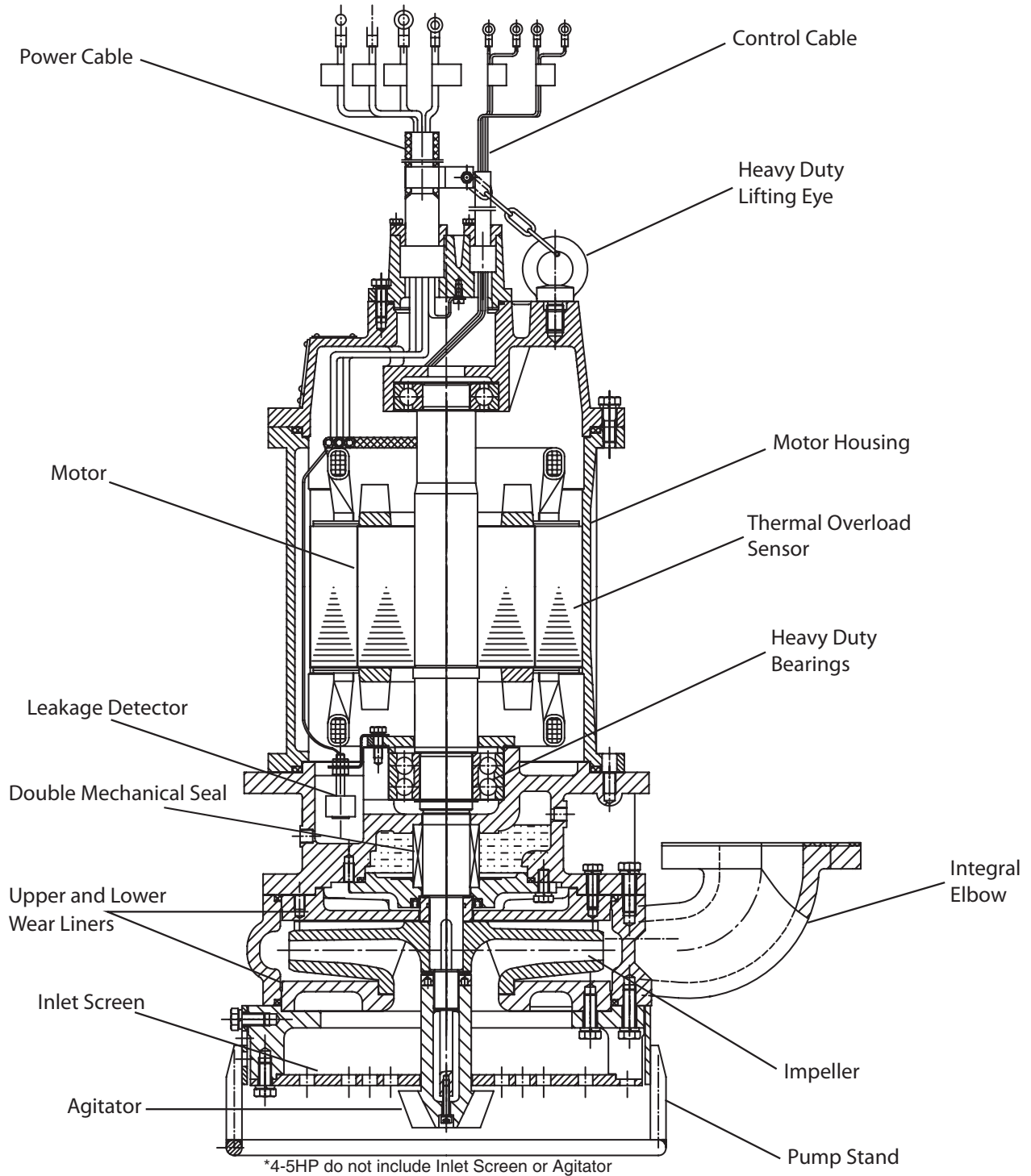
PHASE

NONE – THREE PHASE

VOLTAGE

4 – 460

Features-ENZX

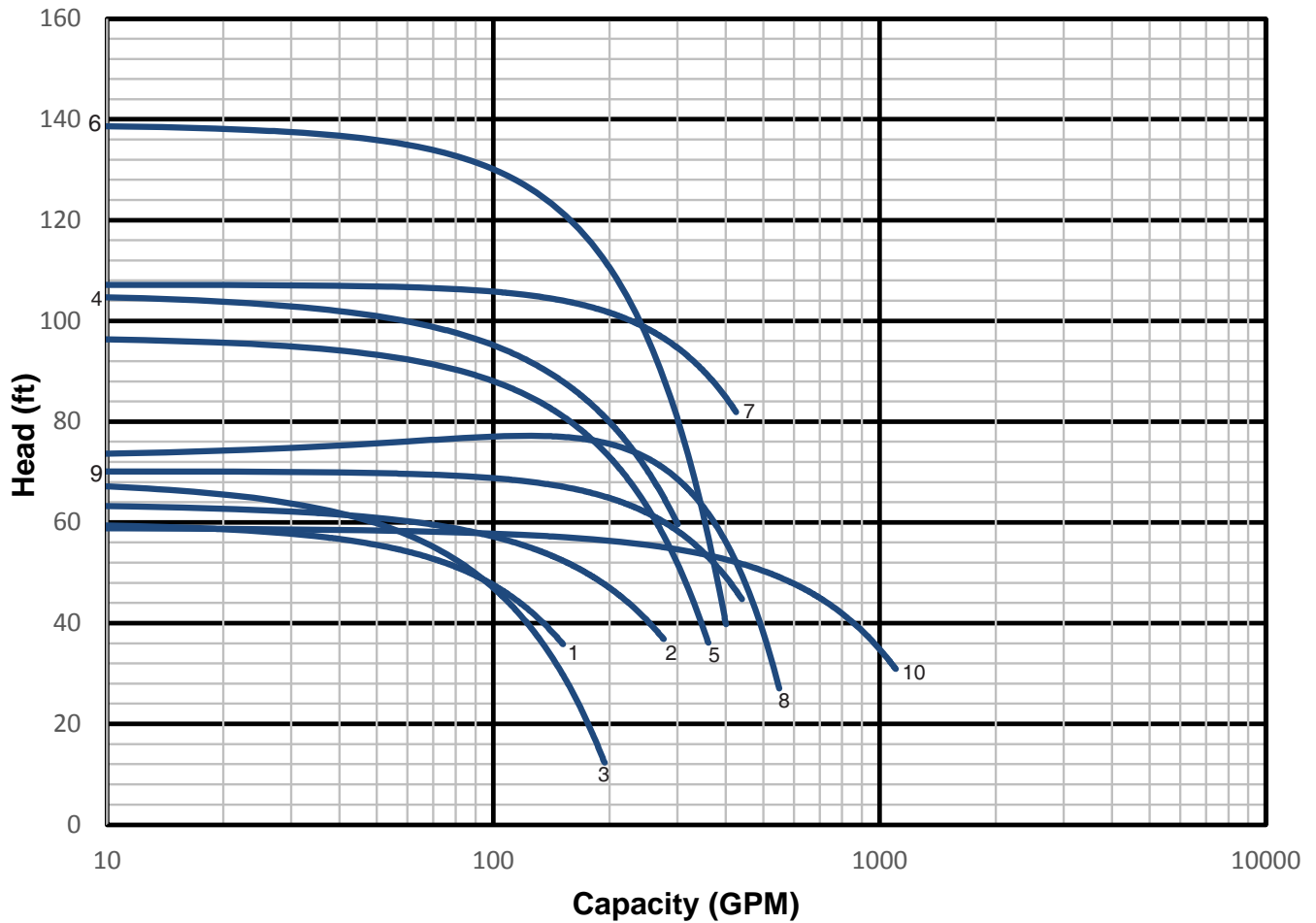


- Double Mechanical Seals – Safely operate in oil chamber away from pumped slurry. (Lower Silicon Carbide/Silicon Carbide – Upper Carbon/Silicon Carbide)
- Enclosed High-Chrome Iron Impeller – Longer lasting, higher efficiency pumping.
- Replaceable Upper and Lower High-Chrome Iron Wear Liners – Avoid costly casing replacement due to excessive wear.

Standard Specifications

<p>Design</p> <p>Discharge Size/Connection</p> <p>Range of HP</p> <p>Range of Performance Capacity: Head:</p>	<p>2, 2.5, 3, 4, 6 inch Flanged, FF ANSI 150#</p> <p>4 HP to 30 HP to 1200 GPM to 140 feet</p>
<p>Limitation</p> <p>Maximum Temperature of Liquid</p> <p>Maximum Concentration of Solids</p> <p>Maximum Submersed Depth</p> <p>Maximum Solid Diameter</p>	<p>104F, 40C</p> <p>30%</p> <p>50 feet</p> <p>1.20 inch, 32 mm</p>
<p>Synchronous Speed</p>	<p>1200 to 1800 RPM</p>
<p>Standard Materials</p> <p>Casing</p> <p>Impeller - Enclosed Type</p> <p>Agitator</p> <p>Motor Housing</p> <p>Screen</p> <p>Stand</p> <p>Wear Liners</p> <p>O-Rings</p> <p>*4-5HP materials are listed on the sectional drawings on pages 12-15.</p>	<p>High Chrome Iron 50.8 HRC</p> <p>High Chrome Iron 50.8 HRC</p> <p>High Chrome Iron 50.8 HRC</p> <p>Cast Iron</p> <p>304 Stainless Steel</p> <p>304 Stainless Steel</p> <p>High Chrome Iron 50.8 HRC</p> <p>Buna</p>
<p>Mechanical Seal</p> <p>Material - Upper Side</p> <p>Material - Lower Side</p>	<p>Double Mechanical Seal</p> <p>Carbon/Silicon Carbide</p> <p>Silicon Carbide/Silicon Carbide</p>
<p>Motor</p>	<p>Insulation Class F</p> <p>Three Phase 460V</p> <p>Integral Thermal and Seal Leak Protection</p> <p>UL/CSA Listed Submersible Cable 40 ft</p>

Selection Chart



- 1 - 50ENZX634
- 2 - 65 ENZX63.74
- 3 - 50ENZX65.54
- 4 - 80ENZX67.54
- 5 - 80ENZX6114
- 6 - 80ENZX6154*
- 7 - 100ENZXA6154
- 8 - 100ENZXB6154
- 9 - 100ENZXC6154
- 10 - 150ENZX6224

* Two-Stage Model

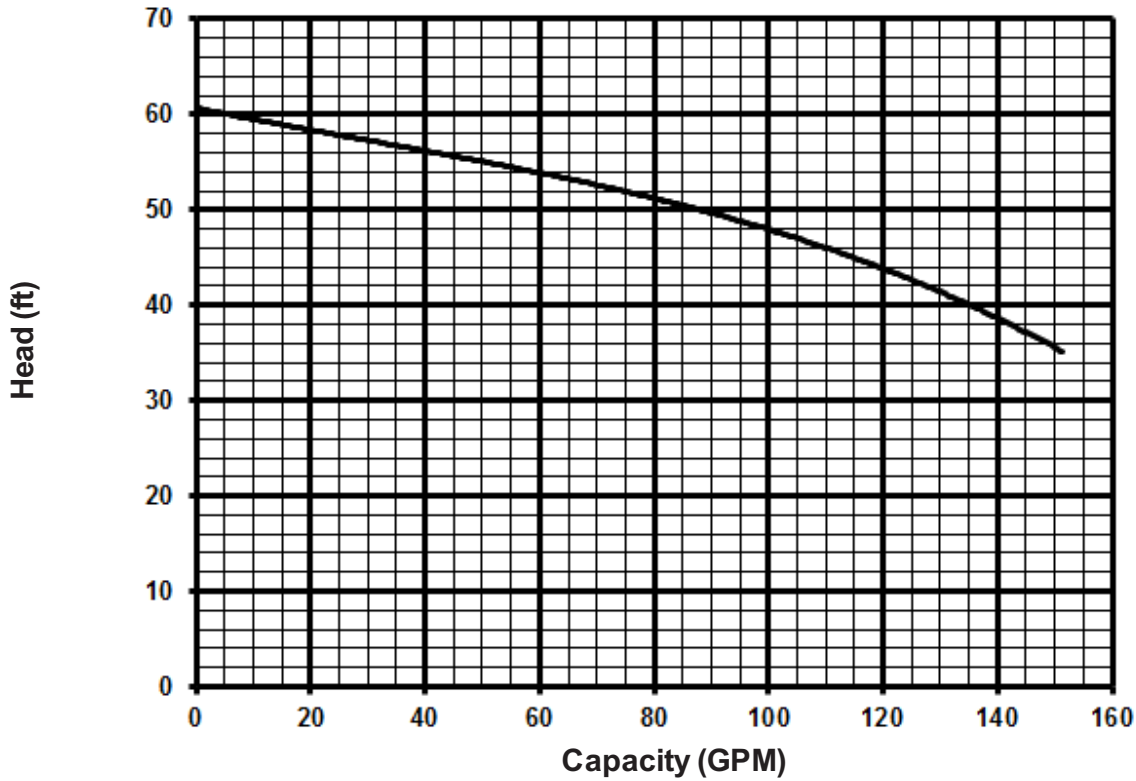
Performance Curves

Project: GPM: TDH: EFF: HP: Chk'd: Date:

50ENZX634 (4HP)

Synchronous Speed: 3600 RPM

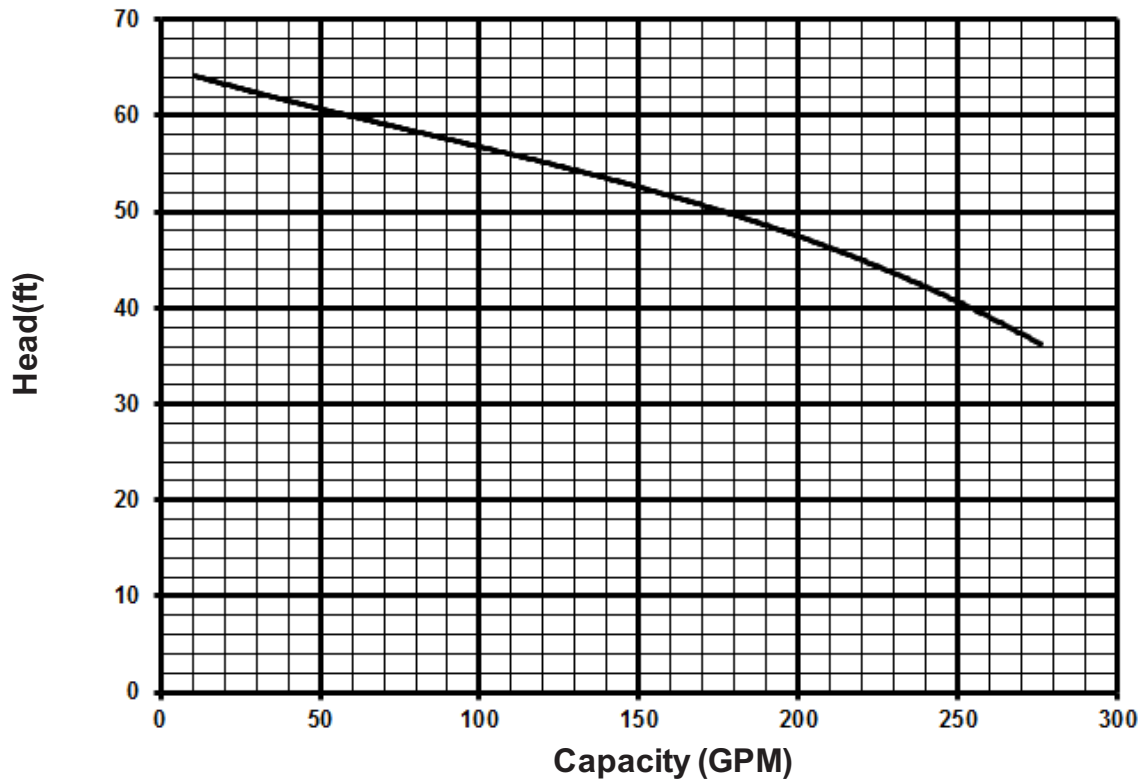
2 inch Discharge



65ENZX63.74 (5HP)

Synchronous Speed: 3600 RPM

2 1/2 inch Discharge



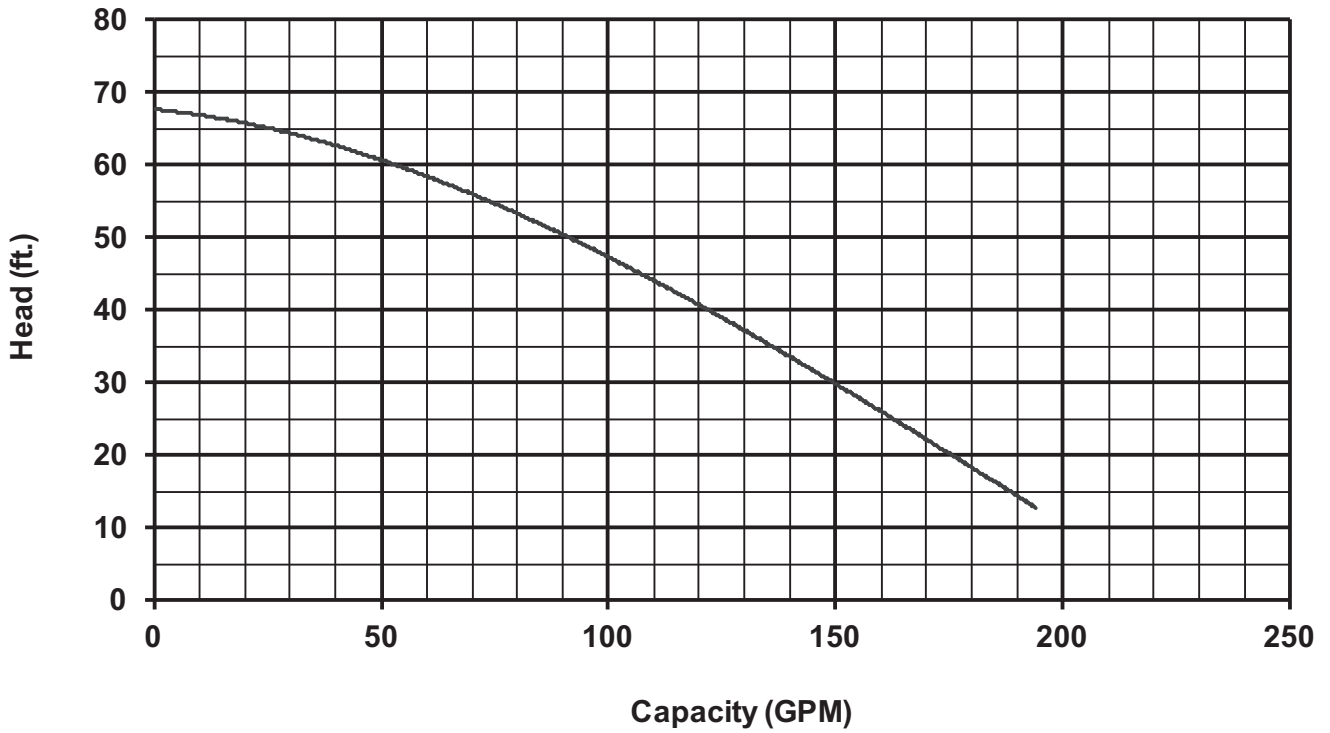
Performance Curves

Project: _____ GPM: _____ TDH: _____ EFF: _____ HP: _____ Chk'd: _____ Date: _____

50ENZX65.54 (7.5HP)

Synchronous Speed: 1800 RPM

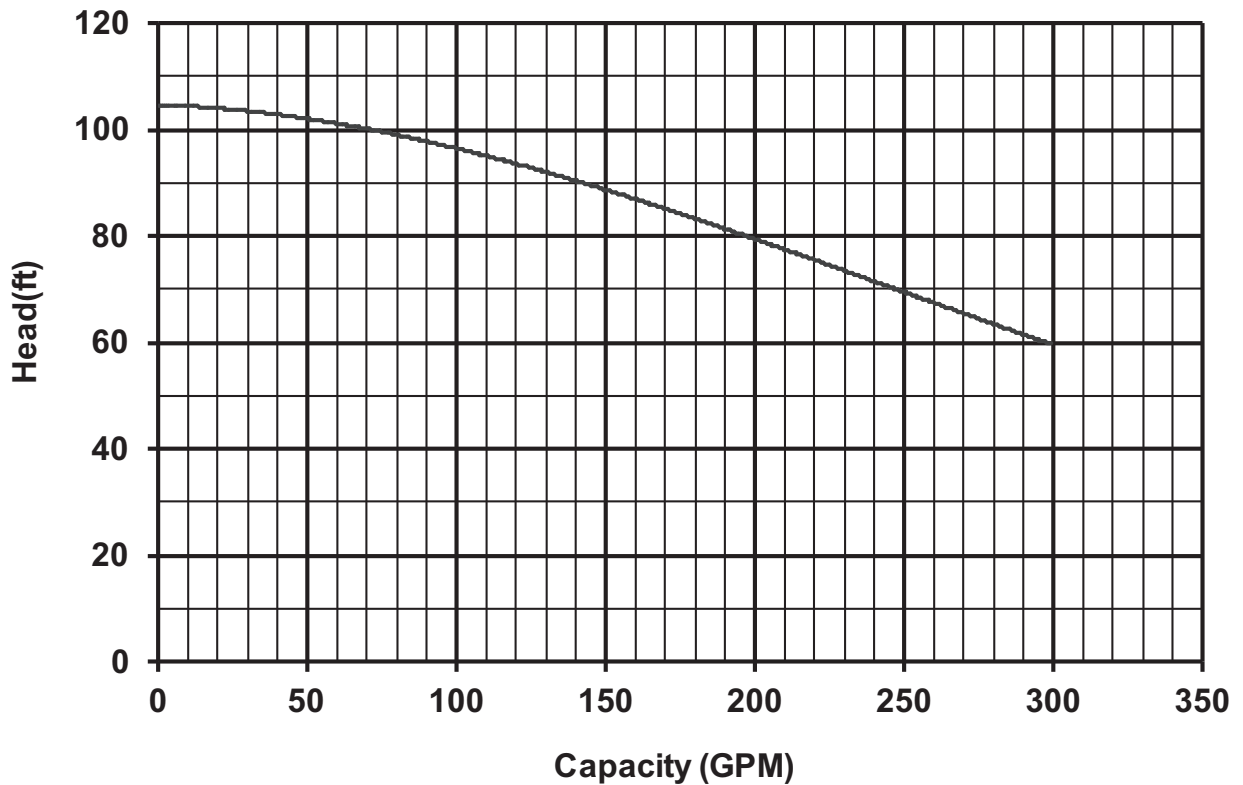
2 inch Discharge



80ENZX67.54 (10HP)

Synchronous Speed: 1800 RPM

3 inch Discharge



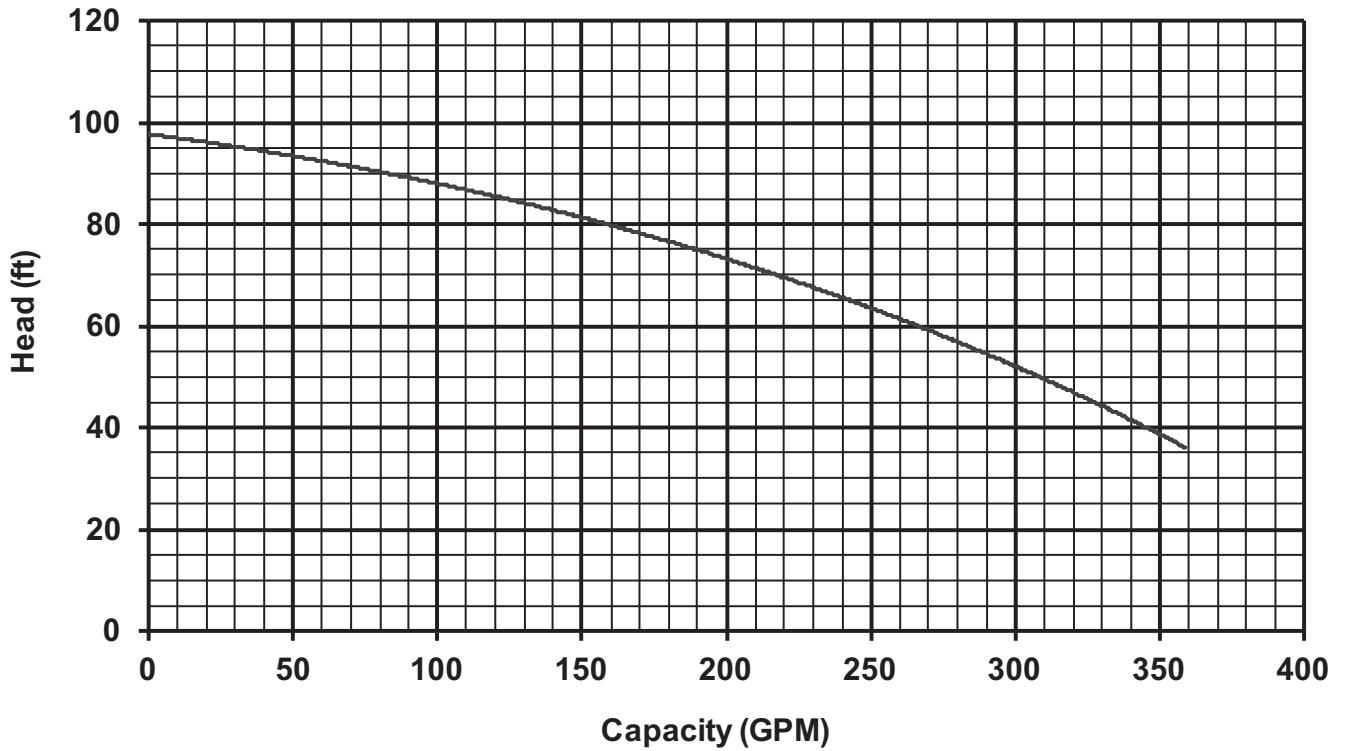
Performance Curves

Project: _____ GPM: _____ TDH: _____ EFF: _____ HP: _____ Chk'd: _____ Date: _____

80ENZX6114 (15HP)

Synchronous Speed: 1800 RPM

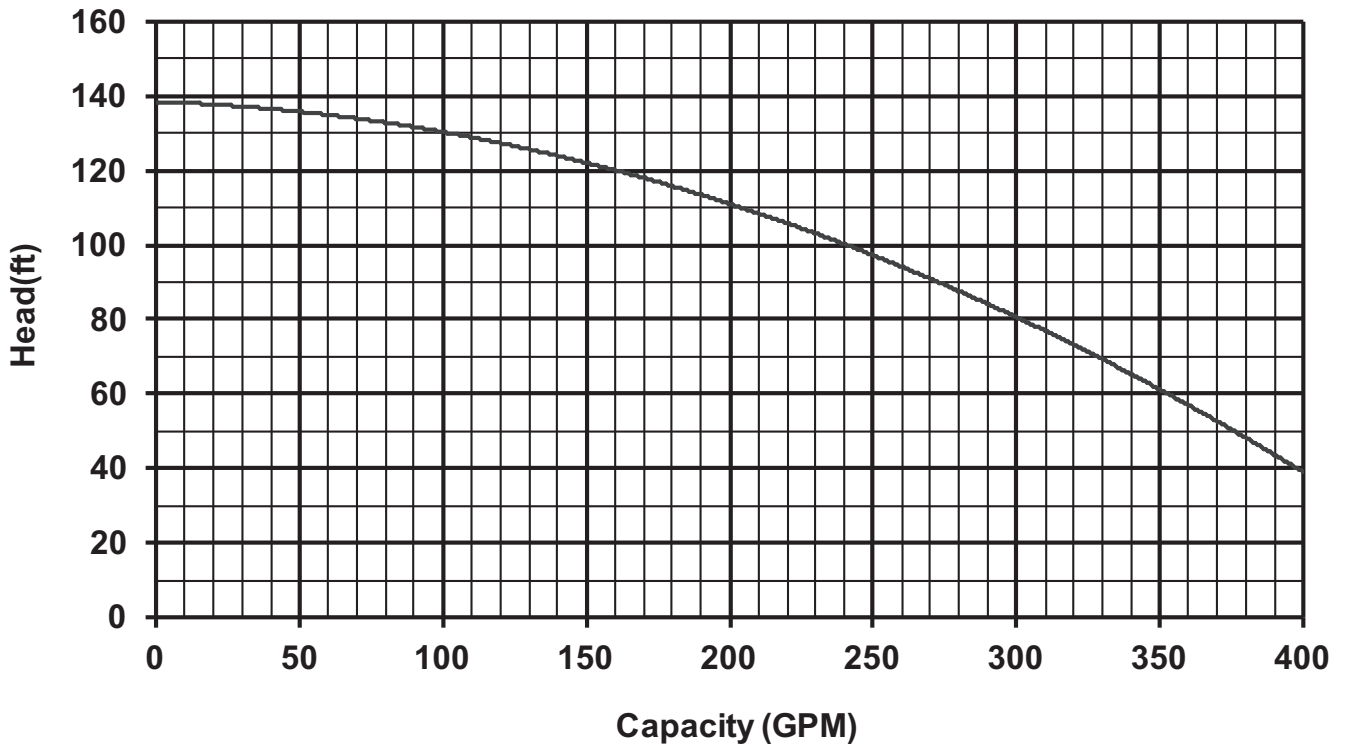
3 inch Discharge



80ENZX6154 (20HP)

Synchronous Speed: 1800 RPM

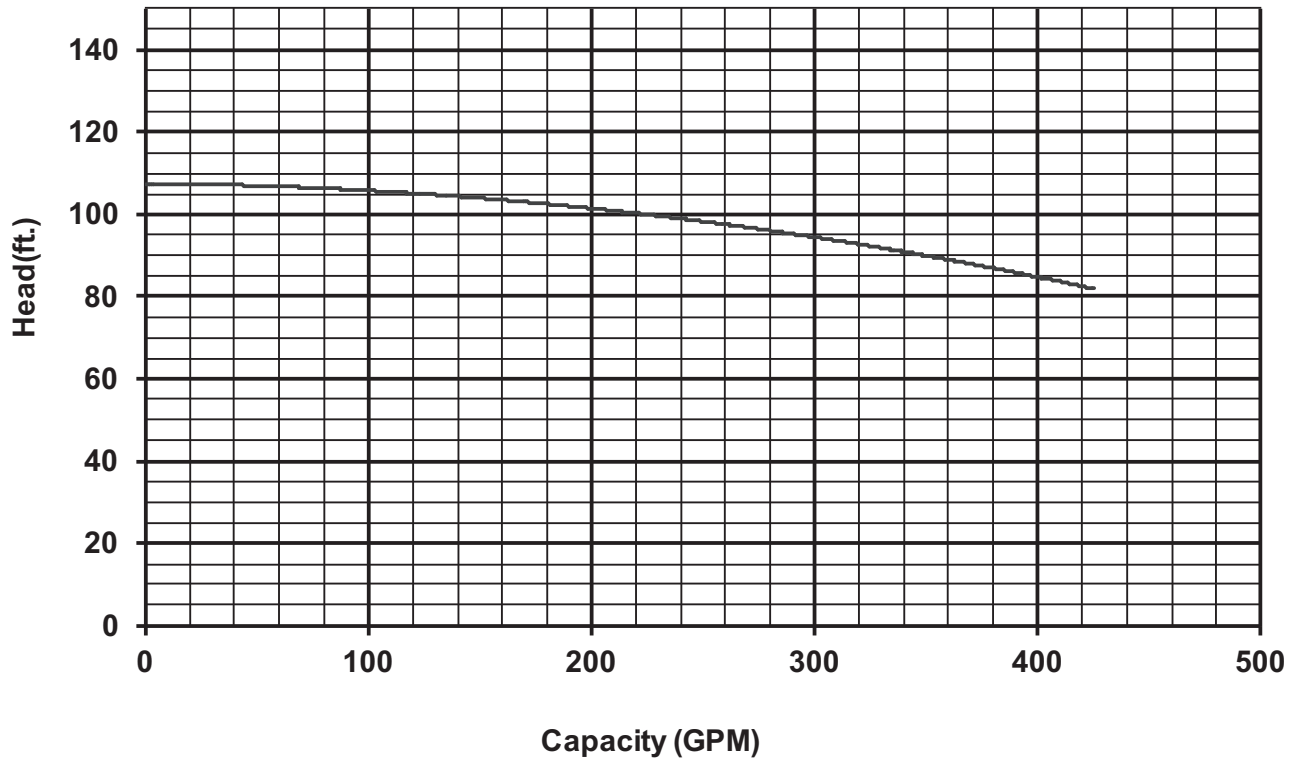
3 inch Discharge



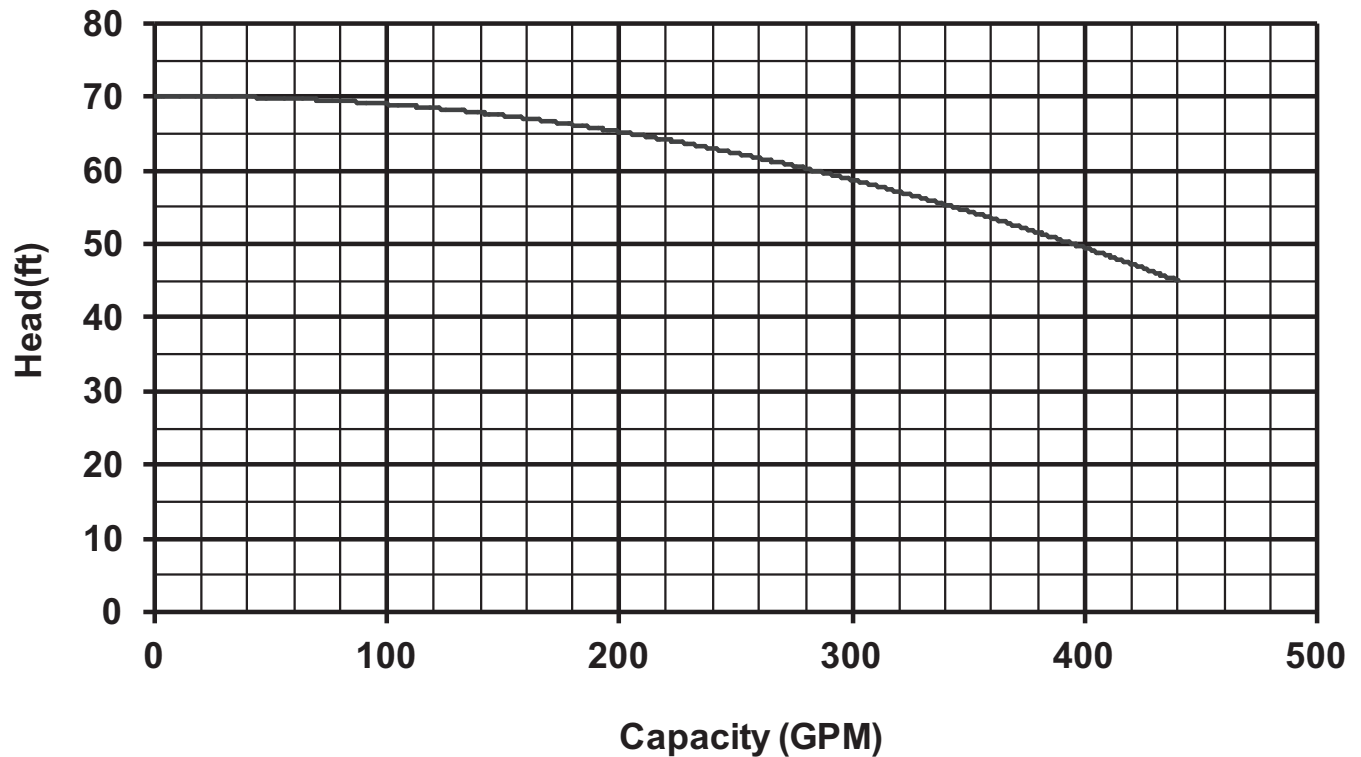
Performance Curves

Project: _____ GPM: _____ TDH: _____ EFF: _____ HP: _____ Chk'd: _____ Date: _____

100ENZXA6154 (20HP) Synchronous Speed: 1800 RPM 4 inch Discharge



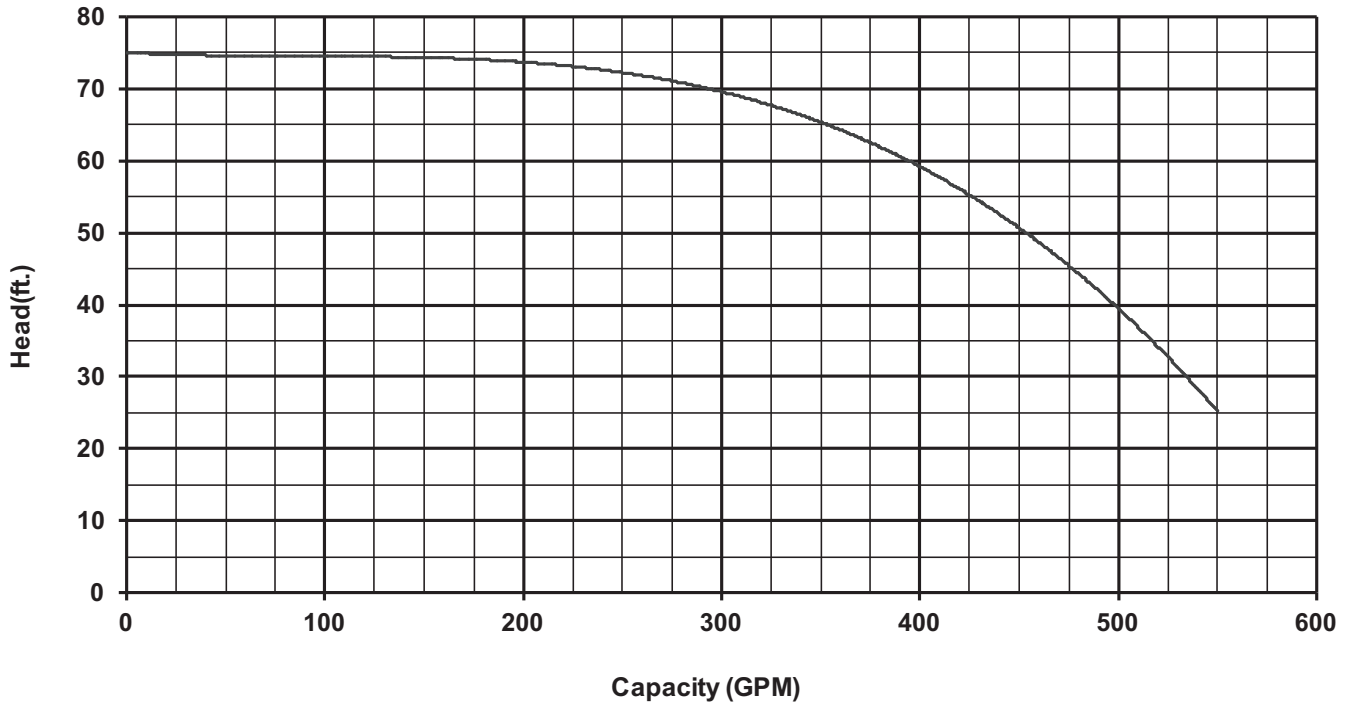
100ENZXB6154 (20HP) Synchronous Speed: 1800 RPM 4 inch Discharge



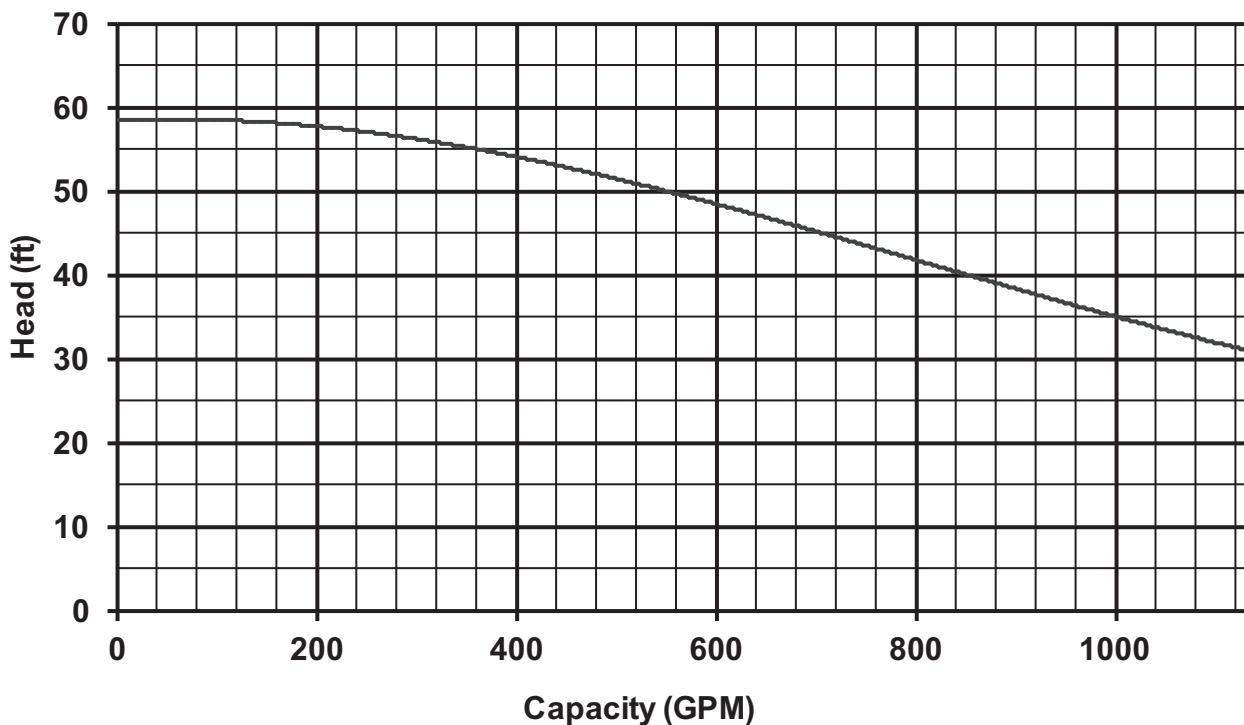
Performance Curves

Project: _____ GPM: _____ TDH: _____ EFF: _____ HP: _____ Chk'd: _____ Date: _____

100ENZXC6154 (20HP) Synchronous Speed: 1800 RPM 4 inch Discharge

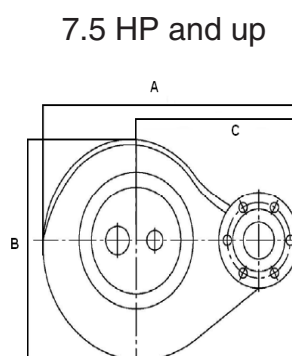
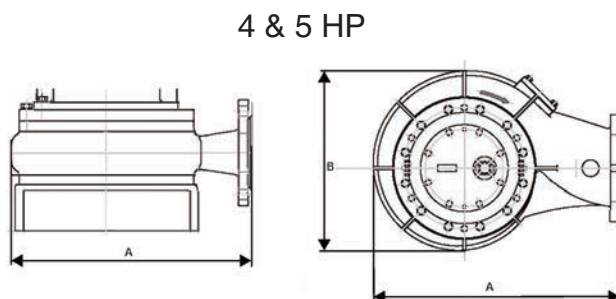
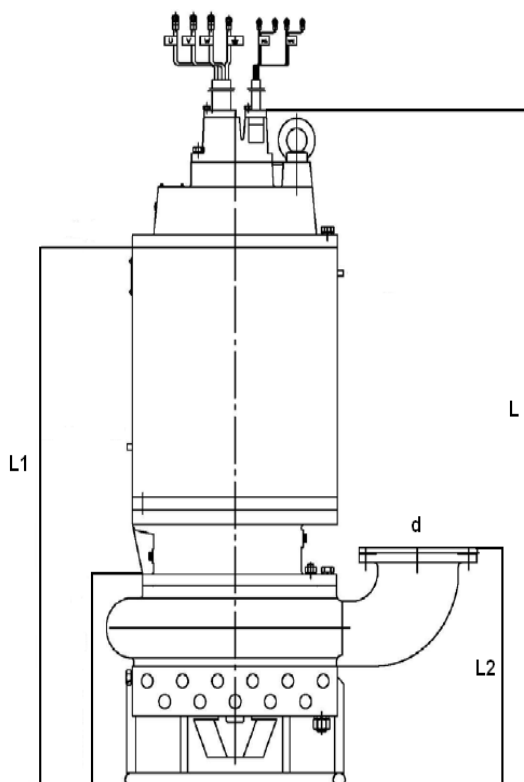


150ENZ6224 (30HP) Synchronous Speed: 1200 RPM 6 inch Discharge



Dimensions

Project: _____ Model: _____ Chk'd: _____ Date: _____



Unit: inch

Model	L	L1	L2	A	B	C	d
50ENZ634	22 15/16	-	-	10 1/4	9 1/16	-	2
50ENZ65.54	33 1/8	27 9/16	11 5/8	23 13/16	15 3/8	15 5/8	2
65ENZ63.74	22 15/16	-	-	10 1/4	9 1/16	-	2 1/2
80ENZ67.54	33 1/8	27 9/16	11 5/8	23 13/16	15 3/8	15 5/8	3
80ENZ6114	35 15/16	29 1/16	11 13/16	23 13/16	16	16	3
80ENZ6154	37 3/8	30 1/2	11 3/8	26 1/2	17 3/8	17 1/8	3
100ENZXA6154	37 3/8	30 1/2	11 3/8	26 1/2	17 3/8	17 1/8	4
100ENZXB6154	39	32 1/16	13 3/8	24 3/8	16 1/8	17 15/16	4
100ENZXC6154	37 3/8	30 1/2	11 3/8	26 1/2	17 3/8	17 1/8	4
150ENZ6224	54 1/4	43 11/16	19 15/16	34 1/4	24 13/16	21 11/16	6

Unit: mm

Model	L	L1	L2	A	B	C	d
50ENZ634	580	-	-	260	210	-	50
50ENZ65.54	842	700	296	605	390	396	50
65ENZ63.74	580	-	-	260	210	-	65
80ENZ67.54	842	700	296	605	390	396	80
80ENZ6114	913	738	300	605	406	406	80
80ENZ6154	950	774	290	673	440	435	100
100ENZXA6154	950	774	290	673	439	435	100
100ENZXB6154	990	814	340	620	410	455	100
100ENZXC6154	950	774	290	673	439	435	100
150ENZ6224	1375	1110	507	870	630	551	150

Sectional View

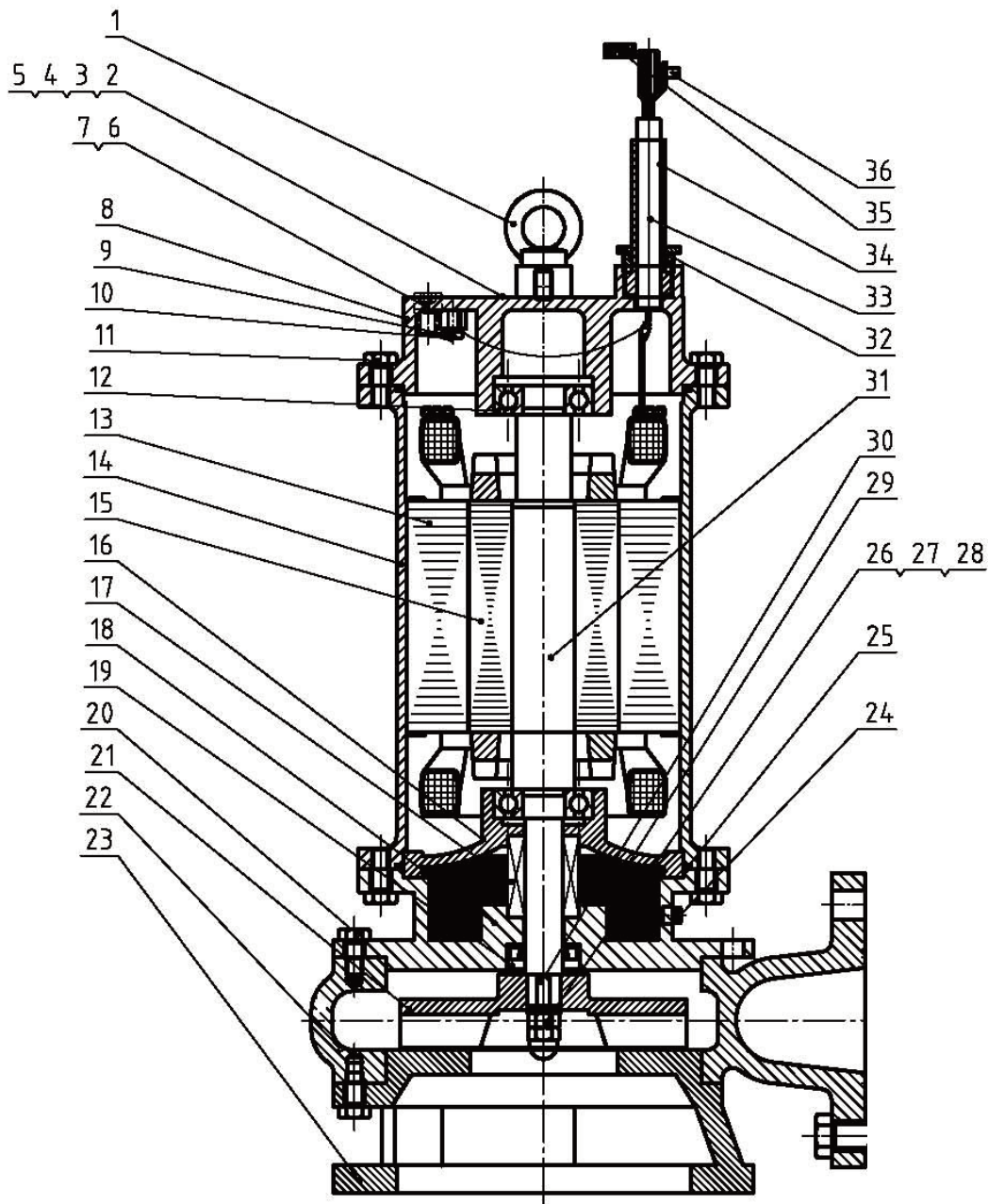
Project:

Model:

Chk'd:

Date:

Model 50ENZX634



Sectional View - Parts Reference

Project:

Model:

Chk'd:

Date:

Model 50ENZX634

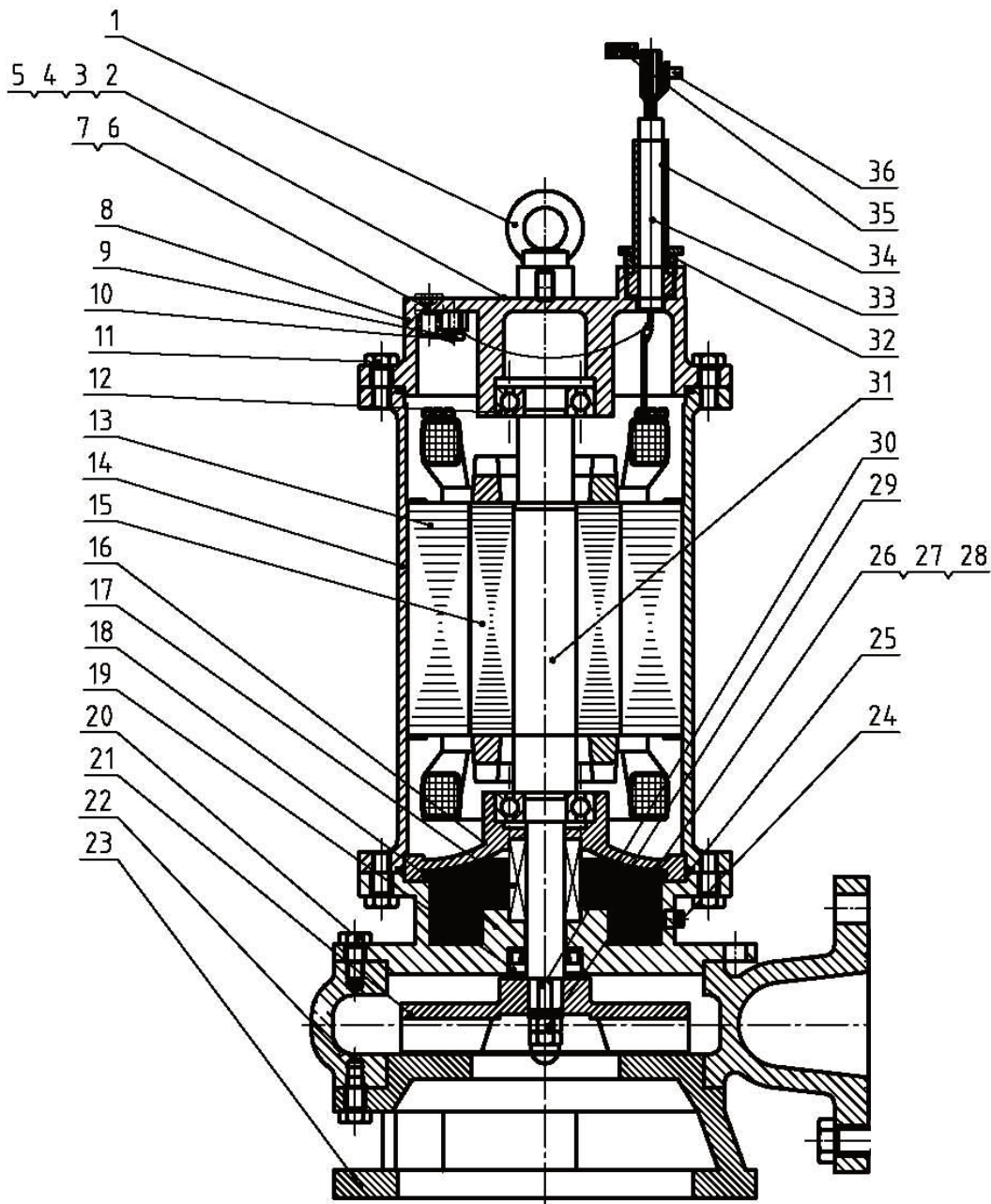
Item No.	Part Description	Part Number	QTY for 1 pump	Material
6	Bolt M10x1.0x16	-	1	304 Stainless Steel
7	Washer	-	1	Rubber
8	Upper Bearing Seat	ENZX40033	1	Cast Iron
9	Top Cap	-	1	Cast Iron
10	Bolt M5x10	-	1	304 Stainless Steel
11	Bolt M8x20	-	8	304 Stainless Steel
12	Bearing	ENZX40029	2	-
13	Motor Assembly	-	1	-
17	Mechanical Seal	ENZX40012	1	-
18	Oil Chamber Cover	ENZX40036	1	Cast Iron
19	Lip Seal	ENZX40014	1	-
20	Bolt M8x16	-	8	304 Stainless Steel
21	Impeller	ENZX40008	1	Cast Iron
22	Pump Casing	ENZX40007	1	High Chrome Iron
23	Stand	ENZX40019	1	Cast Iron
24	Plug	ENZX40038	2	420 Stainless Steel
25	O-ring	ENZX40039	2	
26	Nut M12	-	1	304 Stainless Steel
27	Nut M12	-	1	304 Stainless Steel
28	Washer	-	1	304 Stainless Steel
29	L-TSA 32# Turbine Oil	-	-	-
30	Key	ENZX40040	1	420 Stainless Steel
32	Nut	-	1	304 Stainless Steel
33	Power Cable	ENZX40037	1	-



Sectional View

Project: _____ Model: _____ Chk'd: _____ Date: _____

Model 65ENZX63.74



Sectional View - Parts Reference

Project: _____ Model: _____ Chk'd: _____ Date: _____

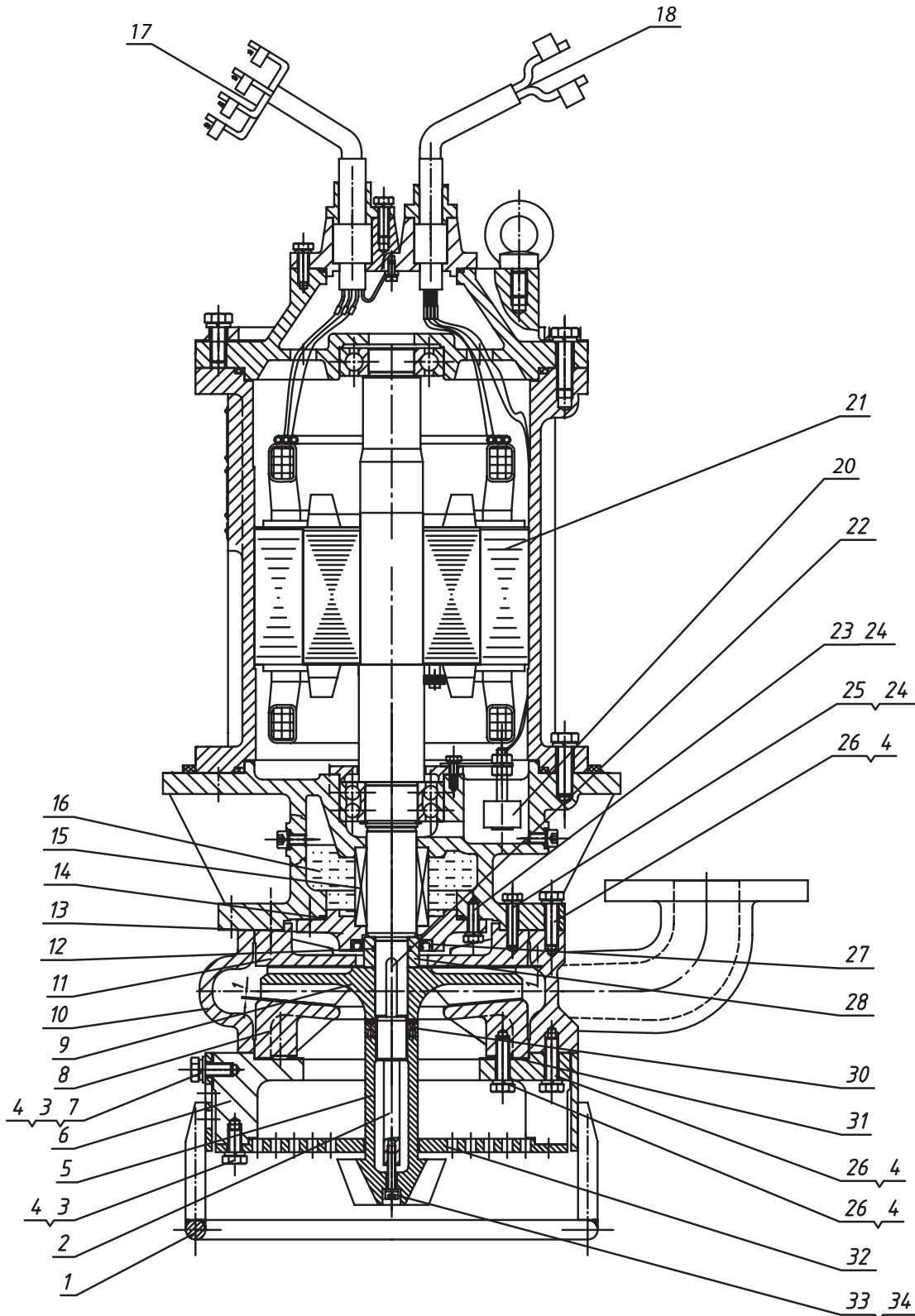
Model 65ENZX63.74

Item No.	Part Description	Part Number	QTY for 1 pump	Material
6	Bolt M10x1.0x16	-	1	304 Stainless Steel
7	Washer 16	-	1	Rubber
8	Upper Bearing Seat	ENZX50033	1	Cast Iron
9	Top Cap	-	1	Cast Iron
10	Bolt M5x10	-	1	304 Stainless Steel
11	Bolt M8x20	-	8	304 Stainless Steel
12	Bearing	ENZX50029	2	-
13	Motor Assembly	-	1	-
17	Mechanical Seal	ENZX50012	1	-
18	Oil Chamber Cover	ENZX50037	1	Cast Iron
19	Lip Seal	ENZX50014	1	-
20	Bolt M8x16	-	8	304 Stainless Steel
21	Impeller	ENZX50008	1	Cast Iron
22	Pump Casing	ENZX50007	1	High Chrome Iron
23	Stand	ENZX50019	1	Cast Iron
24	Plug	ENZX50038	2	420 Stainless Steel
25	O-ring	ENZX50039	2	
26	Nut M12	-	1	304 Stainless Steel
27	Nut M12	-	1	304 Stainless Steel
28	Washer 12	-	1	304 Stainless Steel
29	L-TSA 32# Turbine Oil	-	-	-
30	Key	ENZX50040	1	420 Stainless Steel
32	Nut M24	-	1	304 Stainless Steel
33	Power Cable	ENZX50041	1	-

Sectional View

Project: _____ Model: _____ Chk'd: _____ Date: _____

Model 50ENZX65.54



Sectional View - Parts Reference

Project:

Model:

Chk'd:

Date:

Model 50ENZX65.54

Item No.	Part Description	Part Number	QTY for 1 pump	Material
1	Stand	ENZX75019	1	304 Stainless Steel
2	Fasten Bolt	ENZX75001*	1	304 Stainless Steel
3	Bolt M10X20	-	8	304 Stainless Steel
4	Washer 10	-	26	304 Stainless Steel
5	Agitator	ENZX75002	1	High Chrome Iron
6	Suction Frame	ENZX75005	1	Cast Iron
7	Washer 10	-	4	304 Stainless Steel
8	Suction Liner	ENZX75006	1	High Chrome Iron
9	Impeller	ENZX75008	1	High Chrome Iron
10	Pump Casing	ENZX75007	1	High Chrome Iron
11	Upper Liner	ENZX75010	1	High Chrome Iron
12	O-Ring 25X2.65	ENZX75015***	1	Buna
13	Lower Mech Seal Chamber Cover	ENZX75026	1	Cast Iron
14	O-Ring 100X3.55	ENZX75024	1	Buna
15	Mechanical Seal	ENZX75012	1	-
16	L-TSA 32# Turbine Oil	-	-	-
17	Power Cable	ENZX75016	1	-
18	Control Cable	ENZX75017	1	-
20	Leakage Detector	ENZX75018	1	-
21	Motor Assembly	-	1	Cast Iron
22	Key C8X45	ENZX75020	1	304 Stainless Steel
23	Bolt M8X25	-	8	304 Stainless Steel
24	Washer 8	-	16	304 Stainless Steel
25	Bolt M8X35	-	8	304 Stainless Steel
26	Bolt M10X35	-	18	304 Stainless Steel
27	Lip Seal	ENZX75014	1	-
28	Wear Bushing	ENZX75015***	1	304 Stainless Steel
29	Impeller Pressurer	ENZX75009**	1	Carbon Steel
30	Round Nut	ENZX75009**	1	304 Stainless Steel
31	Adjustment Washer	ENZX75021	-	Brass
32	Strainer	ENZX75022	1	304 Stainless Steel
33	Screw M6X30	ENZX75001*	1	304 Stainless Steel
34	Washer 6	ENZX75001*	1	304 Stainless Steel

* Fasten Bolt Kit

** Impeller Pressuer Kit

*** Wear Bushing Kit



Sectional View

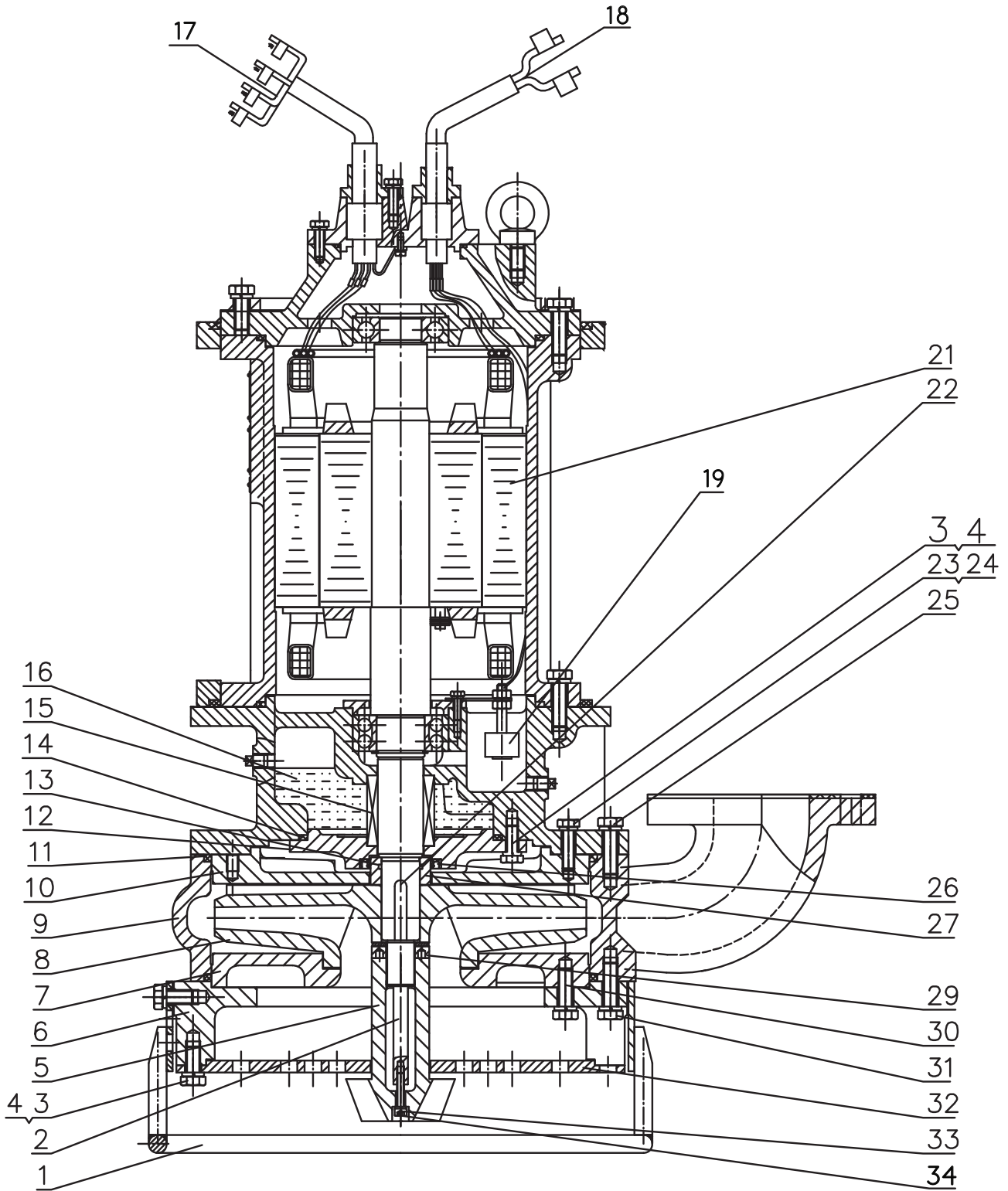
Project:

Model:

Chk'd:

Date:

Model 80ENZX67.54



Sectional View - Parts Reference

Project:

Model:

Chk'd:

Date:

Model 80ENZX67.54

Item No.	Part Description	Part Number	QTY for 1 pump	Material
1	Stand	ENZX10019	1	304 Stainless Steel
2	Fasten Bolt	ENZX10001*	1	304 Stainless Steel
3	Bolt M12X25	-	16	304 Stainless Steel
4	Washer 12	-	34	304 Stainless Steel
5	Agitator	ENZX10002	1	High Chrome Iron
6	Suction Frame	ENZX10005	1	Cast Iron
7	Suction Liner	ENZX10006	1	High Chrome Iron
8	Impeller	ENZX10008	1	High Chrome Iron
9	Pump Casing	ENZX10007	1	High Chrome Iron
10	Upper Liner	ENZX10010	1	High Chrome Iron
11	O-Ring 315X7.0	ENZX10013	2	Buna
12	Lower Mech Seal Chamber Cover	ENZX10026	1	Cast Iron
13	O-Ring 32X2.65	ENZX10015***	1	Buna
14	O-Ring 155X5.3	ENZX10024	1	Buna
15	Mechanical Seal	ENZX10012	1	-
16	L-TSA 32# Turbine Oil	-	-	-
17	Power Cable	ENZX10016	1	-
18	Control Cable	ENZX10017	1	-
19	Leakage Detector	ENZX10018	1	-
21	Motor Assembly	-	1	Cast Iron
22	Key C10X50	ENZX10020	1	304 Stainless Steel
23	Bolt M10X35	-	8	304 Stainless Steel
24	Washer 10	-	8	304 Stainless Steel
25	Bolt M12X40	-	6	304 Stainless Steel
26	Lip Seal	ENZX10014	1	-
27	Wear Bushing	ENZX10015***	1	304 Stainless Steel
28	Impeller Pressurer	ENZX10009**	1	Carbon Steel
29	Round Nut	ENZX10009**	1	304 Stainless Steel
30	Bolt M12X35	-	6	304 Stainless Steel
31	Bolt M12X45	-	6	304 Stainless Steel
32	Strainer	ENZX10022	1	304 Stainless Steel
33	Screw M6X30	ENZX10001*	1	304 Stainless Steel

* Fasten Bolt Kit

** Impeller Pressurer Kit

*** Wear Bushing Kit



Sectional View

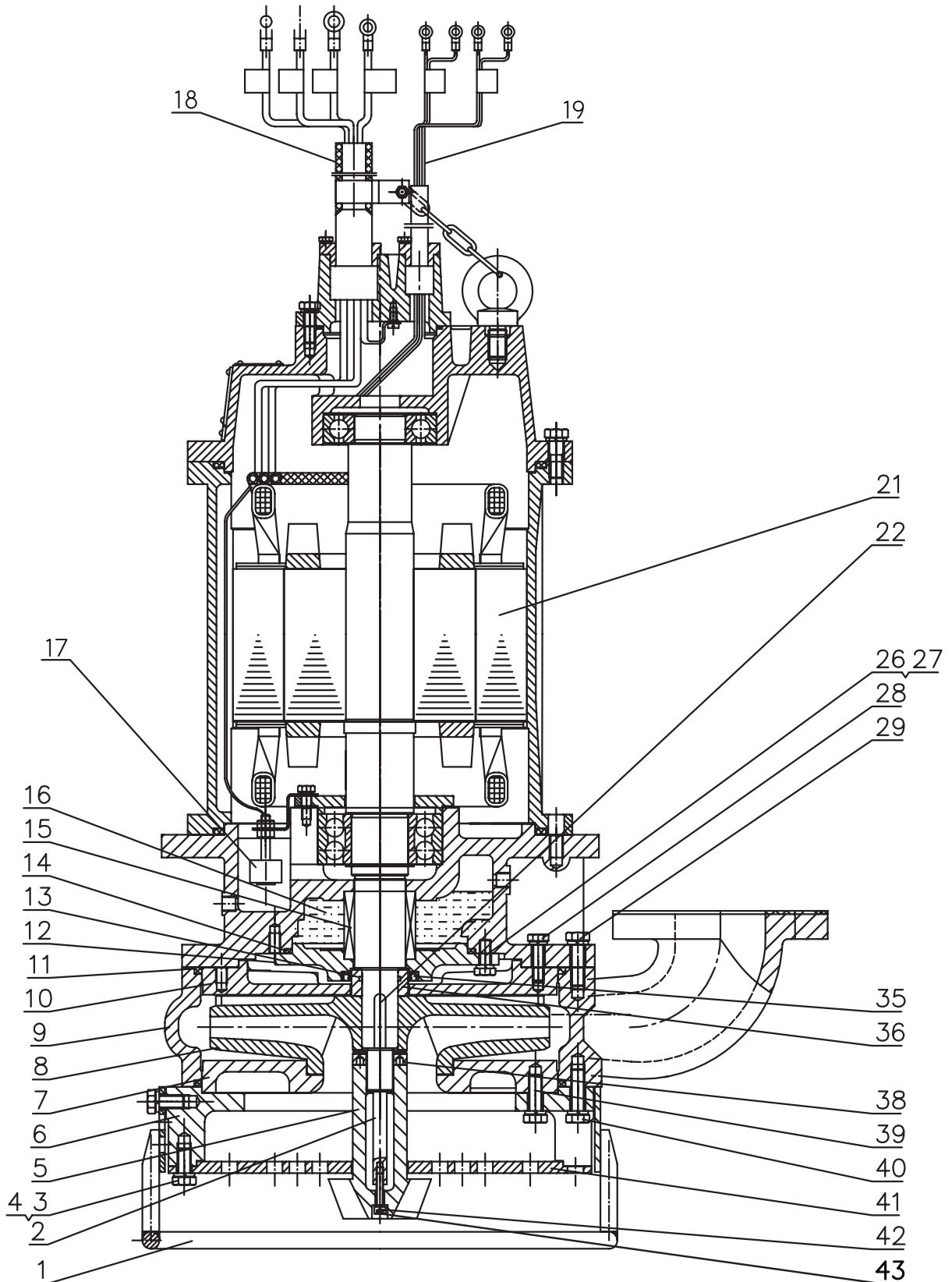
Project:

Model:

Chk'd:

Date:

Model 80ENZX6114



Sectional View - Parts Reference

Project:

Model:

Chk'd:

Date:

Model 80ENZX6114

Item No.	Part Description	Part Number	QTY for 1 pump	Material
1	Stand	ENZX15019	1	304 Stainless Steel
2	Fasten Bolt	ENZX15001*	1	304 Stainless Steel
3	Bolt M12X25	-	8	304 Stainless Steel
4	Washer 12	-	26	304 Stainless Steel
5	Agitator	ENZX15002	1	High Chrome Iron
6	Suction Frame	ENZX15005	1	Cast Iron
7	Suction Liner	ENZX15006	1	High Chrome Iron
8	Impeller	ENZX15008	1	High Chrome Iron
9	Pump Casing	ENZX15007	1	High Chrome Iron
10	Upper Liner	ENZX15010	1	High Chrome Iron
11	O-Ring 315X7.0	ENZX15013	2	Buna
12	Lower Mech Seal Chamber Cover	ENZX15026	1	Cast Iron
13	O-Ring 32X2.65	ENZX15015***	1	Buna
14	O-Ring 155X5.3	ENZX15024	1	Buna
15	Mechanical Seal	ENZX15012	1	-
16	L-TSA 32# Turbine Oil	-	-	-
17	Leakage Detector	ENZX15018	1	-
18	Power Cable	ENZX15016	1	-
19	Control Cable	ENZX15017	1	-
21	Motor Assembly	-	1	Cast Iron
22	Key C10X50	ENZX15020	1	304 Stainless Steel
26	Bolt M10X25	-	8	304 Stainless Steel
27	Washer 10	-	16	304 Stainless Steel
28	Bolt M10X35	-	8	304 Stainless Steel
29	Bolt M10X40	-	6	304 Stainless Steel
35	Lip Seal	ENZX15014	1	-
36	Wear Bushing	ENZX15015***	1	304 Stainless Steel
37	Impeller Pressurer	ENZX15009**	1	Carbon Steel
38	Round Nut	ENZX15009**	1	304 Stainless Steel
39	Bolt M12X35	-	6	304 Stainless Steel
40	Bolt M12X45	-	6	304 Stainless Steel
41	Strainer	ENZX15022	1	304 Stainless Steel
42	Screw M6X30	ENZX15001*	1	304 Stainless Steel

* Fasten Bolt Kit

** Impeller Pressurer Kit

*** Wear Bushing Kit



Sectional View

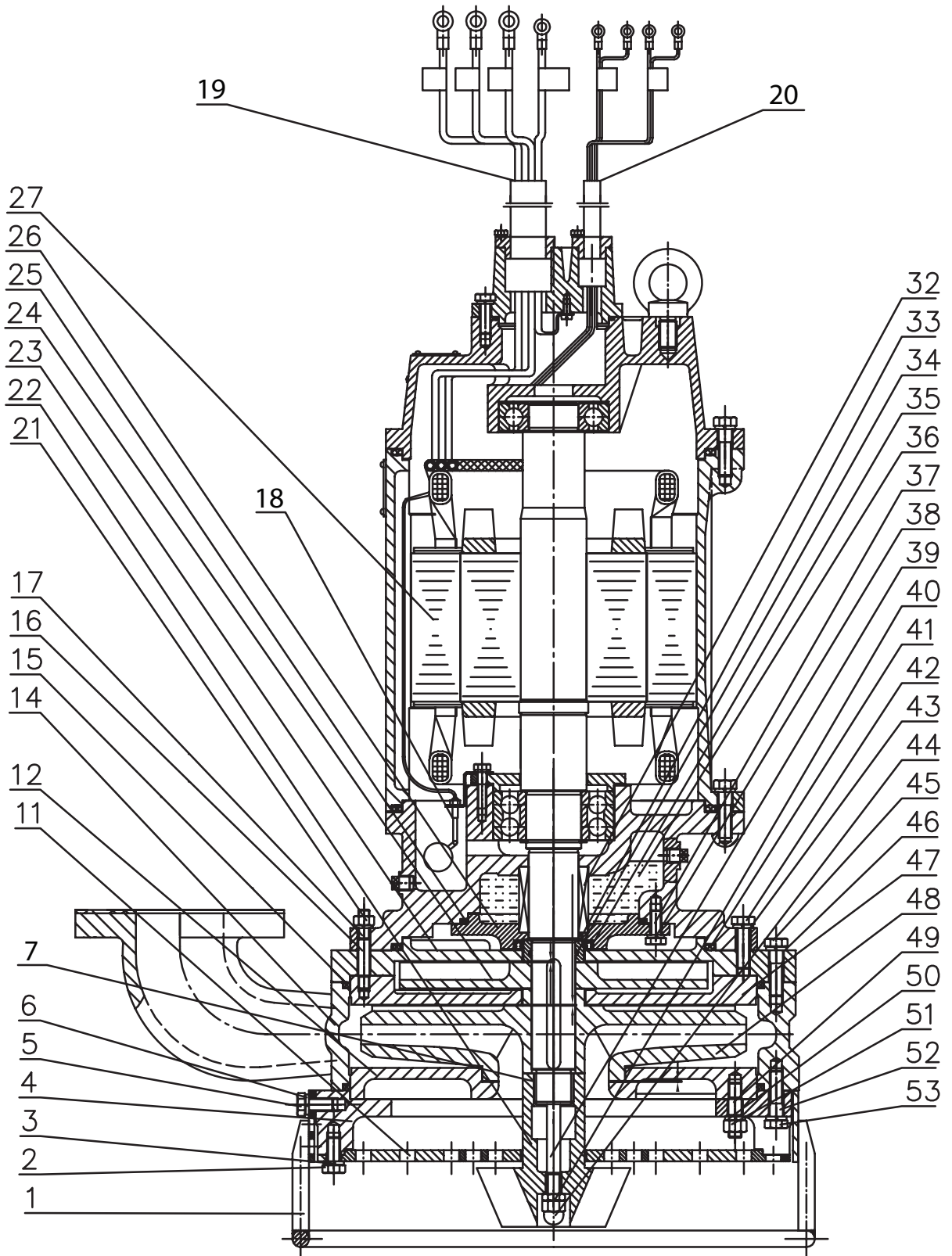
Project:

Model:

Chk'd:

Date:

Model 80ENZX6154 – Two-Stage Model



Sectional View - Parts Reference

Project:

Model:

Chk'd:

Date:

Model 80ENZX6154 – Two-Stage Model

Item No.	Part Description	Part Number	QTY for 1 pump	Material
1	Nut M12	ENZXC20027**	1	304 Stainless Steel
2	Nut M12	ENZXC20027**	1	304 Stainless Steel
3	Stand	ENZXC20019	1	304 Stainless Steel
4	Threaded Shaft Extension	ENZXC20001	1	304 Stainless Steel
5	Strainer	ENZXC20022	1	304 Stainless Steel
6	Agitator	ENZXC20002	1	High Chrome Iron
7	Washer 12	-	27	304 Stainless Steel
8	Bolt M12X30	-	4	304 Stainless Steel
9	Suction Liner	ENZXC20006	1	High Chrome Iron
10	O-Ring	ENZXC20013*	1	Buna
11	Pump Casing	ENZXC20007	1	High Chrome Iron
12	Key 12X40	ENZXC20020	1	304 Stainless Steel
13	Impeller	ENZXC20008	1	High Chrome Iron
14	Upper Liner	ENZXC20010	1	High Chrome Iron
15	Wear Bushing	ENZXC20015	1	304 Stainless Steel
16	Lip Seal	ENZXC20014	1	-
17	O-Ring	ENZXC20013*	1	Buna
18	Lower Mech Seal Chamber Cover	ENZXC20026	1	Cast Iron
19	Leakage Detector	ENZXC20018	1	-
20	Power Cable	ENZXC20016	1	-
21	Control Cable	ENZXC20017	1	-
22	Mechanical Seal	ENZXC20012	1	-
23	L-TSA 32# Turbine Oil	-	-	-
24	O-Ring	ENZXC20013*	1	Buna
25	Bolt M12X25	-	8	304 Stainless Steel
26	Nut M10	-	3	304 Stainless Steel
27	Bolt A M10X35	-	3	304 Stainless Steel
28	Bolt M12X35	-	6	304 Stainless Steel
29	Adjustment Washer	ENZXC20021	-	Brass
30	Screw M12X30	-	6	304 Stainless Steel
31	Fix Bolt	-	4	304 Stainless Steel
32	Washer 16	-	4	304 Stainless Steel
33	Nut M15	-	4	304 Stainless Steel
34	Impeller Nut	ENZXC20009	1	304 Stainless Steel

* O-Ring Kit

** Agitator Bolt Kit



Sectional View

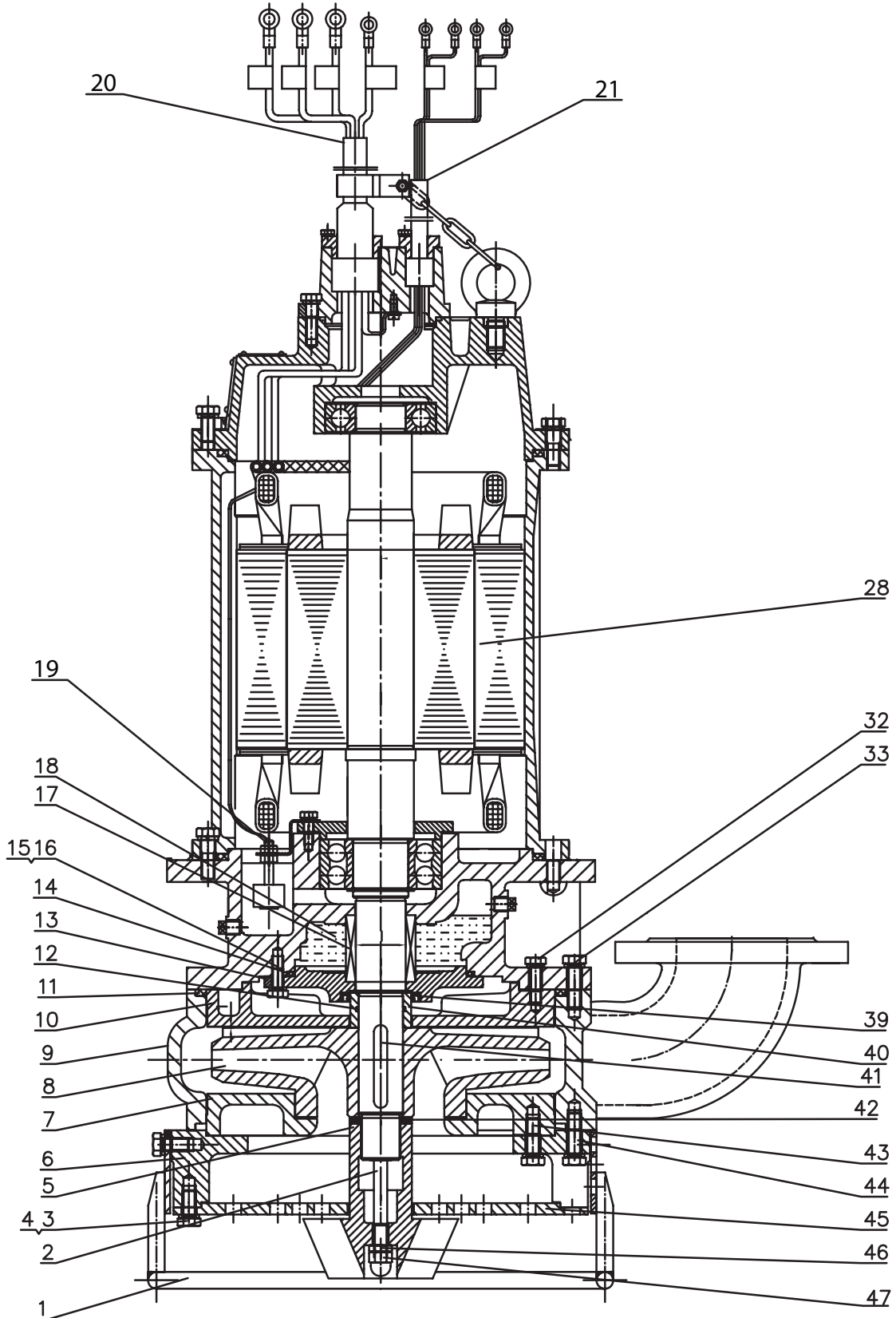
Project:

Model:

Chk'd:

Date:

Model 100ENZXA6154



Sectional View - Parts Reference

Project:

Model:

Chk'd:

Date:

Model 100ENZXA6154

Item No.	Part Description	Part Number	QTY for 1 pump	Material
1	Stand	ENZXA20019	1	304 Stainless Steel
2	Threaded Shaft Extension	ENZXA20001	1	304 Stainless Steel
3	Bolt M12X25	-	8	304 Stainless Steel
4	Washer 12	-	32	304 Stainless Steel
5	Agitator	ENZXA20002	1	High Chrome Iron
6	Suction Frame	ENZXA20005	1	Cast Iron
7	Suction Liner	ENZXA20006	1	High Chrome Iron
8	Impeller	ENZXA20008	1	High Chrome Iron
9	Pump Casing	ENZXA20007	1	High Chrome Iron
10	Upper Liner	ENZXA20010	1	High Chrome Iron
11	O-Ring	ENZXA20013*	2	Buna
12	O-Ring	ENZXA20013*	1	Buna
13	Lower Mech Seal Chamber Cover	ENZXA20026	1	Cast Iron
14	O-Ring	ENZXA20013*	1	Buna
15	Washer 10	-	16	304 Stainless Steel
16	Bolt M10X25	-	8	304 Stainless Steel
17	Mechanical Seal	ENZXA20012	1	-
18	L-TSA 32# Turbine Oil	-	-	-
19	Leakage Detector	ENZXA20018	1	-
20	Power Cable	ENZXA20016	1	-
21	Control Cable	ENZXA20017	1	-
28	Motor Assembly	-	1	Cast Iron
32	Bolt M10X35	-	8	304 Stainless Steel
33	Bolt M12X40	-	6	304 Stainless Steel
39	Lip Seal	ENZXA20014	1	-
40	Wear Bushing	ENZXA20015	1	304 Stainless Steel
41	Key C12X75	ENZXA20020	1	304 Stainless Steel
42	Impeller Nut	ENZXA20009	1	Carbon Steel
43	Bolt M12X35	-	6	304 Stainless Steel
44	Bolt M12X45	-	6	304 Stainless Steel
45	Strainer	ENZXA20022	1	304 Stainless Steel
46	Nut M12	ENZXA20027**	1	304 Stainless Steel
47	Nut M12	ENZXA20027**	1	304 Stainless Steel

* O-Ring Kit

** Agitator Bolt Kit



Sectional View

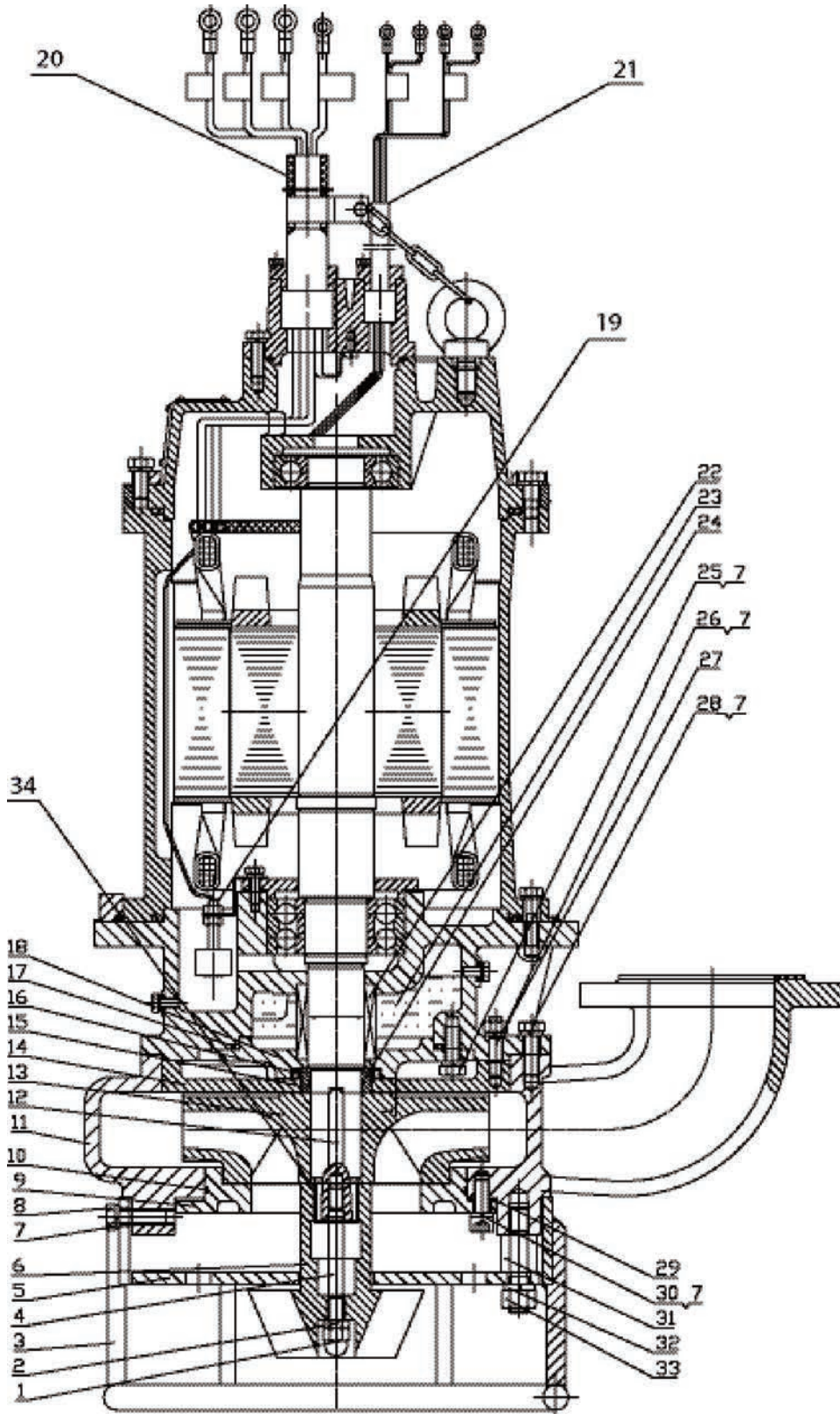
Project:

Model:

Chk'd:

Date:

Model 100ENZXB6154



Sectional View - Parts Reference

Project:

Model:

Chk'd:

Date:

Model 100ENZXB6154

Item No.	Part Description	Part Number	QTY for 1 pump	Material
1	Nut M12	ENZXB20027**	1	304 Stainless Steel
2	Nut M12	ENZXB20027**	1	304 Stainless Steel
3	Stand	ENZXB20019	1	304 Stainless Steel
4	Threaded Shaft Extension	ENZXB20001	1	304 Stainless Steel
5	Strainer	ENZXB20022	1	304 Stainless Steel
6	Agitator	ENZXB20002	1	High Chrome Iron
7	Washer 12	-	27	304 Stainless Steel
8	Bolt M12X30	-	4	304 Stainless Steel
9	Suction Liner	ENZXB20006	1	High Chrome Iron
10	O-Ring	ENZXB20013*	1	Buna
11	Pump Casing	ENZXB20007	1	High Chrome Iron
12	Key 12X40	ENZXB20020	1	304 Stainless Steel
13	Impeller	ENZXB20008	1	High Chrome Iron
14	Upper Liner	ENZXB20010	1	High Chrome Iron
15	Wear Bushing	ENZXB20015	1	304 Stainless Steel
16	Lip Seal	ENZXB20014	1	-
17	O-Ring	ENZXB20013*	1	Buna
18	Lower Mech Seal Chamber Cover	ENZXB20026	1	Cast Iron
19	Leakage Detector	ENZXB20018	1	-
20	Power Cable	ENZXB20016	1	-
21	Control Cable	ENZXB20017	1	-
22	Mechanical Seal	ENZXB20012	1	-
23	L-TSA 32# Turbine Oil	-	-	-
24	O-Ring	ENZXB20013*	1	Buna
25	Bolt M12X25	-	8	304 Stainless Steel
26	Nut M10	-	3	304 Stainless Steel
27	Bolt A M10X35	-	3	304 Stainless Steel
28	Bolt M12X35	-	6	304 Stainless Steel
29	Adjustment Washer	ENZXB20021	-	Brass
30	Screw M12X30	-	6	304 Stainless Steel
31	Fix Bolt	-	4	304 Stainless Steel
32	Washer 16	-	4	304 Stainless Steel
33	Nut M15	-	4	304 Stainless Steel
34	Impeller Nut	ENZXB20009	1	304 Stainless Steel

* O-Ring Kit

** Agitator Bolt Kit

Sectional View

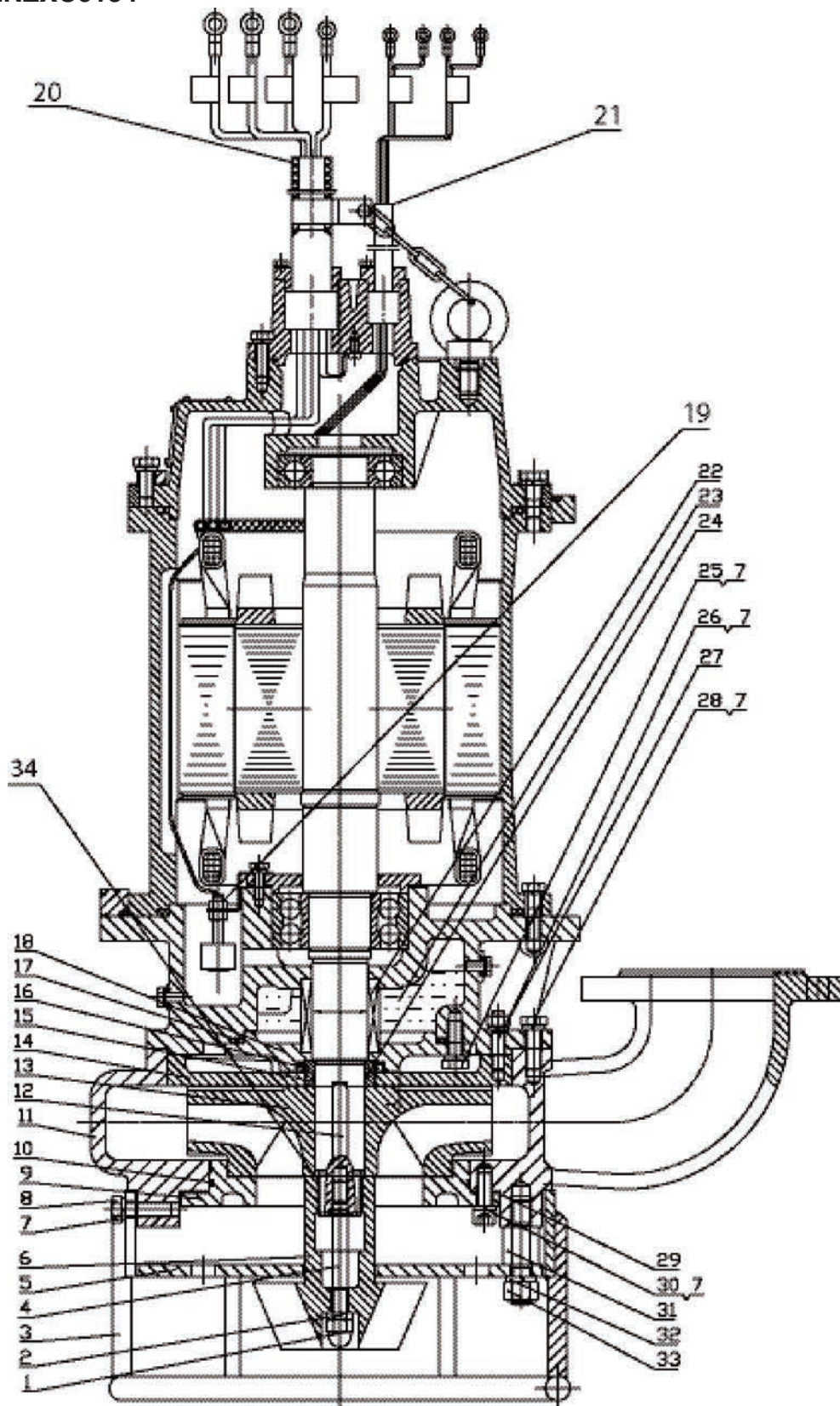
Project:

Model:

Chk'd:

Date:

Model 100ENZXC6154



Sectional View - Parts Reference

Project:

Model:

Chk'd:

Date:

Model 100ENZXC6154

Item No.	Part Description	Part Number	QTY for 1 pump	Material
1	Nut M12	ENZXC20027**	1	304 Stainless Steel
2	Nut M12	ENZXC20027**	1	304 Stainless Steel
3	Stand	ENZXC20019	1	304 Stainless Steel
4	Threaded Shaft Extension	ENZXC20001	1	304 Stainless Steel
5	Strainer	ENZXC20022	1	304 Stainless Steel
6	Agitator	ENZXC20002	1	High Chrome Iron
7	Washer 12	-	27	304 Stainless Steel
8	Bolt M12X30	-	4	304 Stainless Steel
9	Suction Liner	ENZXC20006	1	High Chrome Iron
10	O-Ring	ENZXC20013*	1	Buna
11	Pump Casing	ENZXC20007	1	High Chrome Iron
12	Key 12X40	ENZXC20020	1	304 Stainless Steel
13	Impeller	ENZXC20008	1	High Chrome Iron
14	Upper Liner	ENZXC20010	1	High Chrome Iron
15	Wear Bushing	ENZXC20015	1	304 Stainless Steel
16	Lip Seal	ENZXC20014	1	-
17	O-Ring	ENZXC20013*	1	Buna
18	Lower Mech Seal Chamber Cover	ENZXC20026	1	Cast Iron
19	Leakage Detector	ENZXC20018	1	-
20	Power Cable	ENZXC20016	1	-
21	Control Cable	ENZXC20017	1	-
22	Mechanical Seal	ENZXC20012	1	-
23	L-TSA 32# Turbine Oil	-	-	-
24	O-Ring	ENZXC20013*	1	Buna
25	Bolt M12X25	-	8	304 Stainless Steel
26	Nut M10	-	3	304 Stainless Steel
27	Bolt A M10X35	-	3	304 Stainless Steel
28	Bolt M12X35	-	6	304 Stainless Steel
29	Adjustment Washer	ENZXC20021	-	Brass
30	Screw M12X30	-	6	304 Stainless Steel
31	Fix Bolt	-	4	304 Stainless Steel
32	Washer 16	-	4	304 Stainless Steel
33	Nut M15	-	4	304 Stainless Steel
34	Impeller Nut	ENZXC20009	1	304 Stainless Steel

* O-Ring Kit

** Agitator Bolt Kit



Sectional View

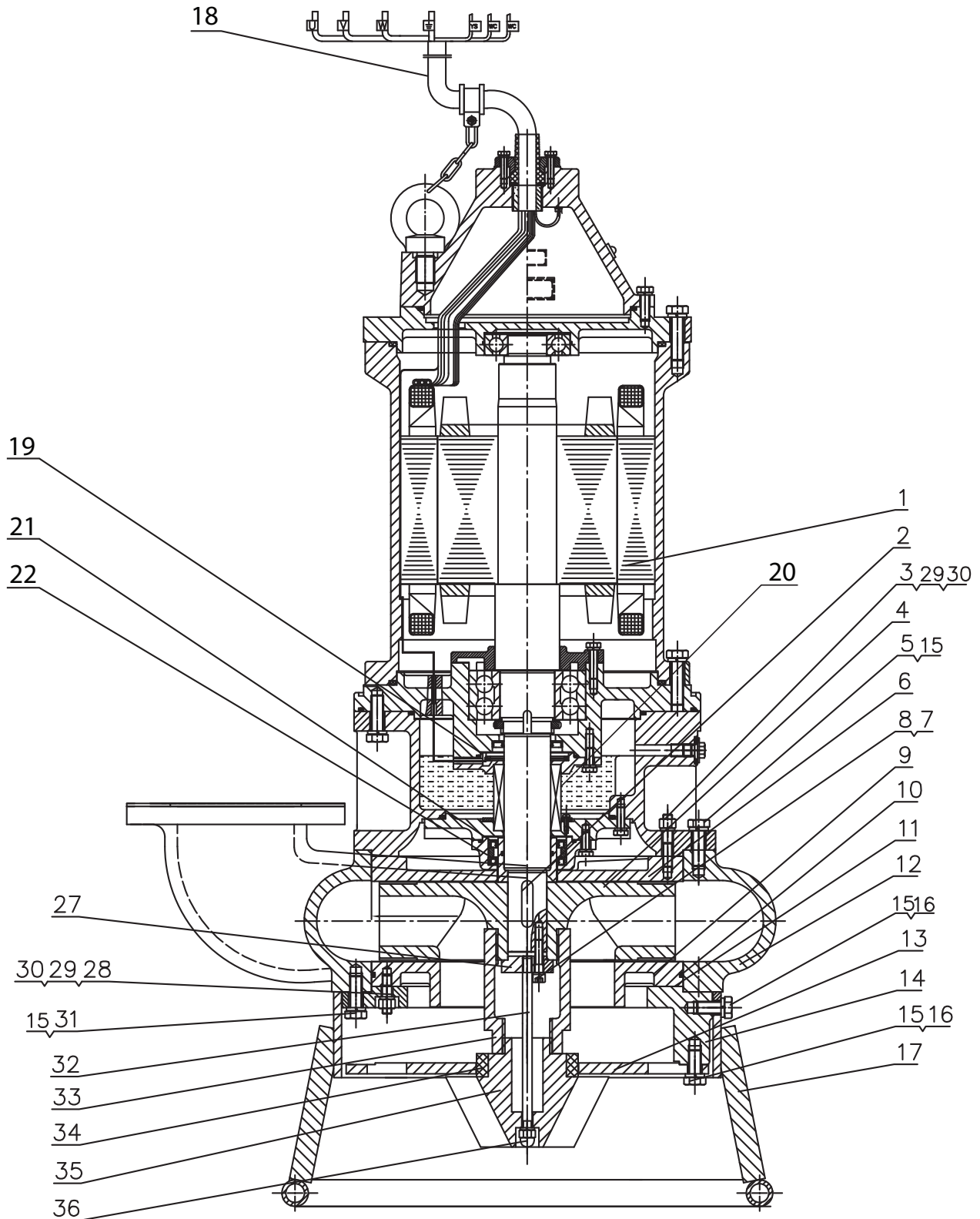
Project:

Model:

Chk'd:

Date:

Model 150ENZX6224



Sectional View - Parts Reference

Project:

Model:

Chk'd:

Date:

Model 150ENZ6224

Item No.	Part Description	Part Number	QTY for 1 pump	Material
1	Motor Assembly	-	1	Cast Iron
2	Key 14X60	ENZ30020	1	304 Stainless Steel
3	Bolt A M12X50	-	6	304 Stainless Steel
4	Impeller	ENZ30008	1	High Chrome Iron
5	Bolt M16X50	-	6	304 Stainless Steel
6	Upper Liner	ENZ30010	1	High Chrome Iron
7	Washer 10	-	4	304 Stainless Steel
8	Screw M10X45	-	4	304 Stainless Steel
9	Suction Liner	ENZ30006	1	High Chrome Iron
10	O-Ring	ENZ30013	1	Buna
11	Adjustment Washer	ENZ30021	-	Brass
12	Pump Casing	ENZ30007	1	High Chrome Iron
13	Strainer	ENZ30022	1	304 Stainless Steel
14	Suction Frame	ENZ30005	1	Cast Iron
15	Washer 16	-	20	304 Stainless Steel
16	Bolt M16X35	-	8	304 Stainless Steel
17	Stand	ENZ30019	1	304 Stainless Steel
18	Power Cable	ENZ30016	1	-
19	Leakage Detector	ENZ30018	1	-
20	Mechanical Seal	ENZ30012	1	-
21	Lip Seal	ENZ30014	1	-
22	Wear Bushing	ENZ30015	1	304 Stainless Steel
27	Impeller Nut	ENZ30009	1	Carbon Steel
28	Bolt A M12X35	-	6	304 Stainless Steel
29	Washer 12	-	15	304 Stainless Steel
30	Nut M12	-	15	304 Stainless Steel
31	Bolt M16X45	-	6	304 Stainless Steel
32	Threaded Shaft Extension	ENZ30001	1	304 Stainless Steel
33	Hub	ENZ30004	1	High Chrome Iron
34	Rubber Bushing	ENZ30003	1	Rubber
35	Agitator	ENZ30002	1	High Chrome Iron
36	Nut M12	ENZ30027	1	304 Stainless Steel



Motor Data

Project: _____ Model: _____ Chk'd: _____ Date: _____

Name-Plate Rating	Output	HP	4	5	7.5	10	15	20	30
		kW	3	4	5.5	7.5	11	15	22
	Phase		3						
	Poles		4						6
	Volts		460						
	Amperes		5.7	7.3	9.7	13	18.5	24.7	36.7
	Speed		1800						1200
	Installation Class		F						
Service Factor		1.05							
Start Current Amp.		-	-	48	65	92	123	183	
Locked Rotor Current Amp.		40	51	67	91	129	197	296	
Max. Ambient Temp.		95°F, 35°C							
Max. Submersed Depth		66ft, 20m							

HP	Power Cable					Sensor Cable				
	Type	No. Of COND	Gauge		Length Ft.	Type	No. Of COND	Gauge		Length Ft.
			mm ²	AWG				mm ²	AWG	
4	SOW	4	3.5	12	40					
5										
7.5										
10										
15										
20										
30	7	8	8	30	NA					

***Note: 4 - 20 HP Models have UL/CSA approved cables.**

***Note: 30 Hp model has single power cable and is NOT UL/CSA approved.**

Note: Proper motor starter size and motor protection must be installed for warranty to be considered.

Standard Control Panels

Project:

Model:

Chk'd:

Date:

Overview

Panels are built specifically for the ENZX models and are designed to operate and control all protection devices on the pump.

Models

- ECP-1 - Operates pumps from 4 to 10 HP
- ECP-2 - Operates pumps from 15 to 20 HP
- ECP-3 - Operates pumps from 30 HP

Features

- NEMA 4X Enclosure
- UL Listed/CSA Approved
- Terminal Blocks for Connections
- Local Disconnect Switch
- HOA Switch, Alarm On and Off Switch
- Alarm Light
- All connections for seal leak and motor temperature devices

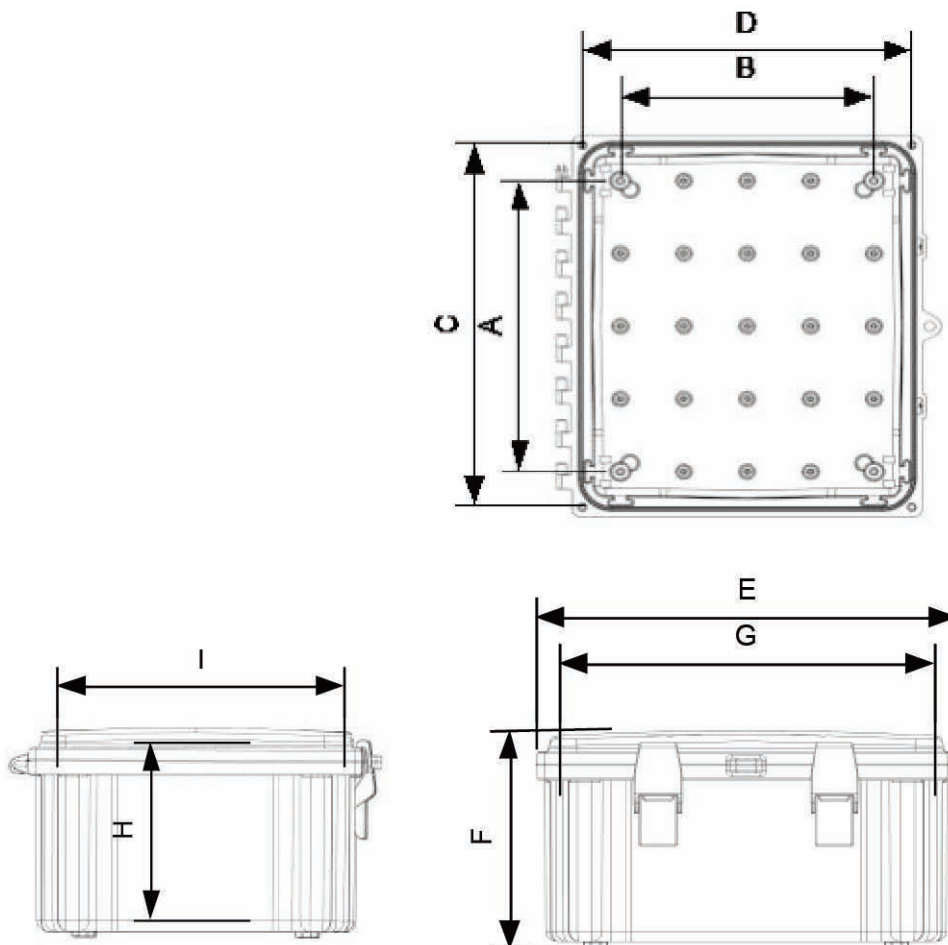


Standard Control Panels

Project: _____ Model: _____ Chk'd: _____ Date: _____

Dimensions

Models: ECP-1, ECP-2



Unit: inch

A	B	C	D	E	F	G	H	I
16 1/4	14 1/4	18 3/4	16 3/4	19 3/8	11 11/16	18 5/16	11	16 3/8

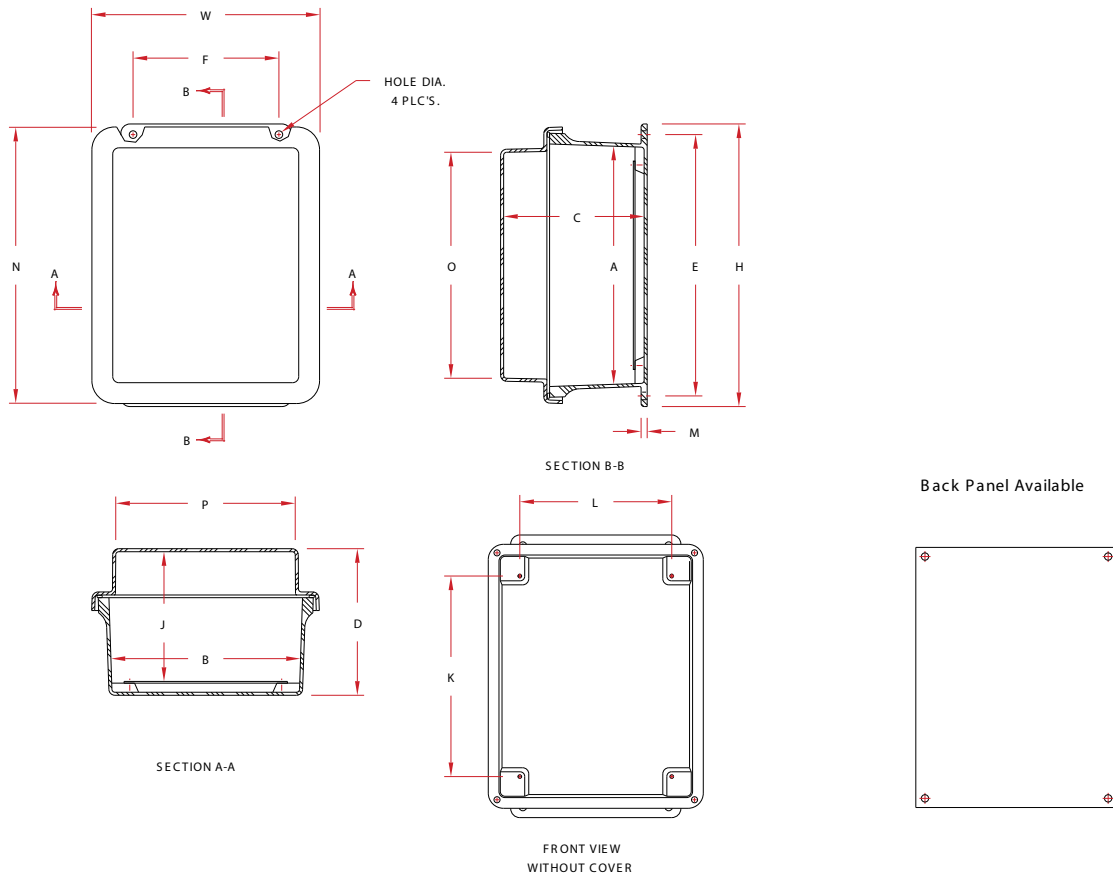
Unit: mm

A	B	C	D	E	F	G	H	I
413	362	476	425	492	297	465	279	416

Standard Control Panels

Project: _____ Model: _____ Chk'd: _____ Date: _____

**Dimensions
Models: ECP-3**



Unit: inch

A	B	C	D	E	F	H	J	K	L	M	N	O	P	W
17 11/16	15 11/16	10 5/16	10 5/8	18 7/8	12	19 5/8	9 7/8	16 1/4	14 1/4	1/4	19 1/2	17 1/4	15 1/4	17 1/2

Unit: mm

A	B	C	D	E	F	H	J	K	L	M	N	O	P	W
449	398	262	270	479	305	498	251	413	362	6	495	438	387	444