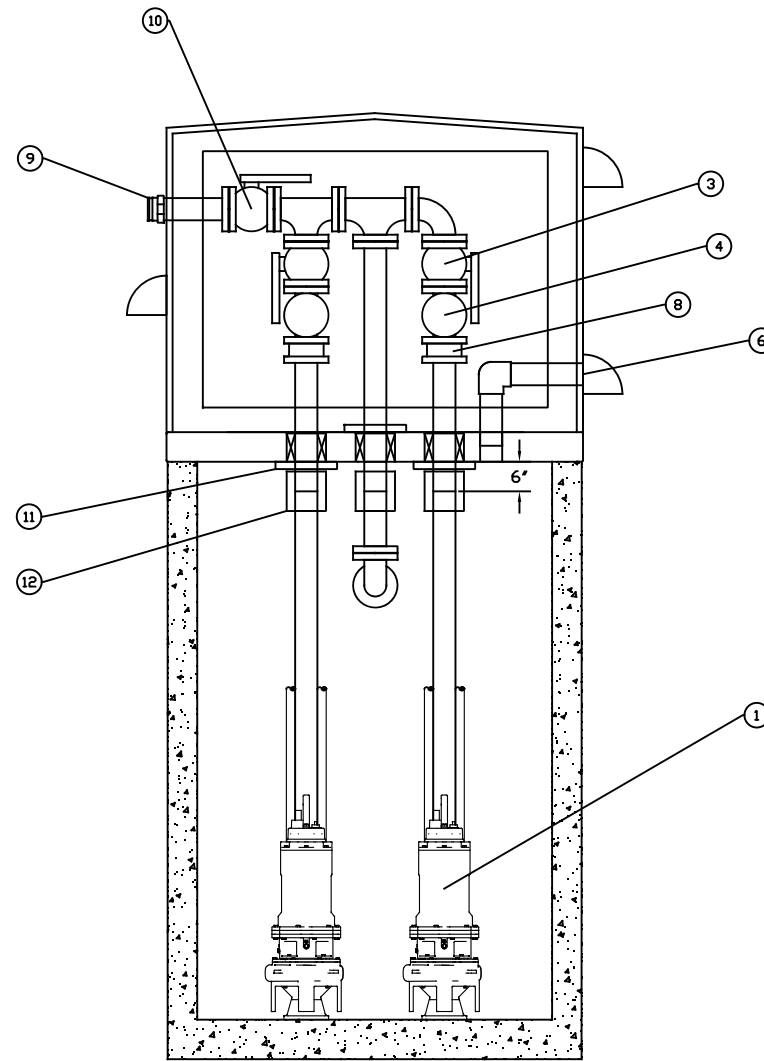
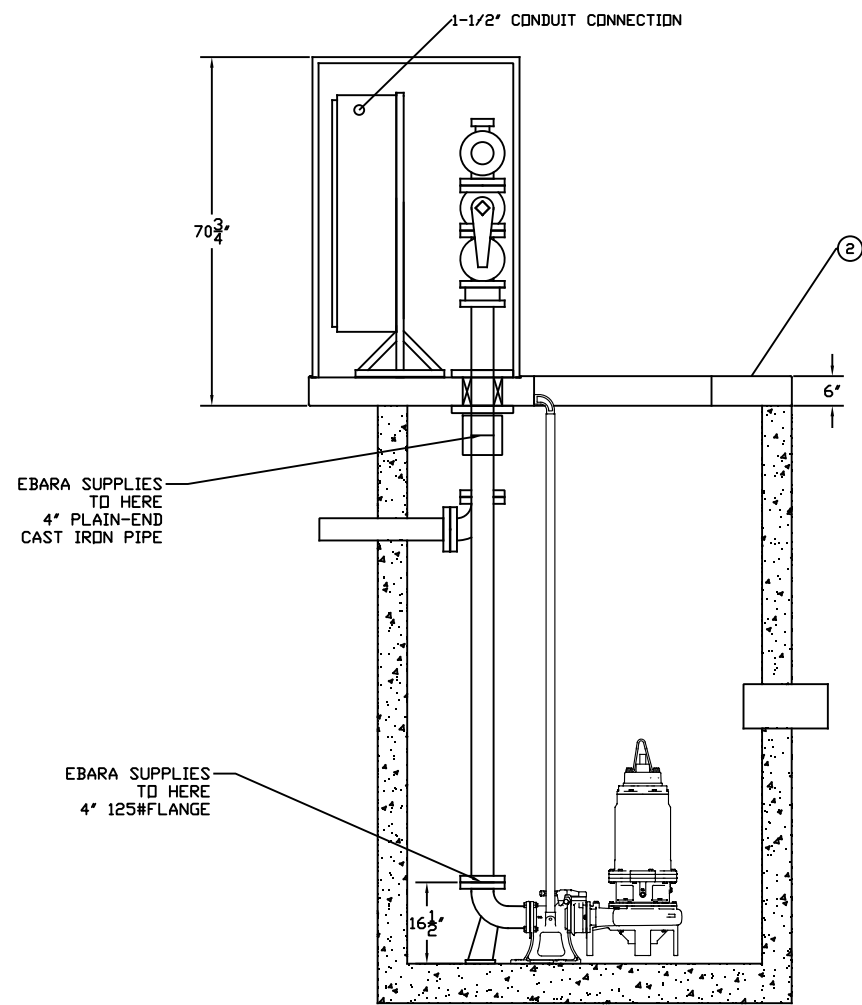
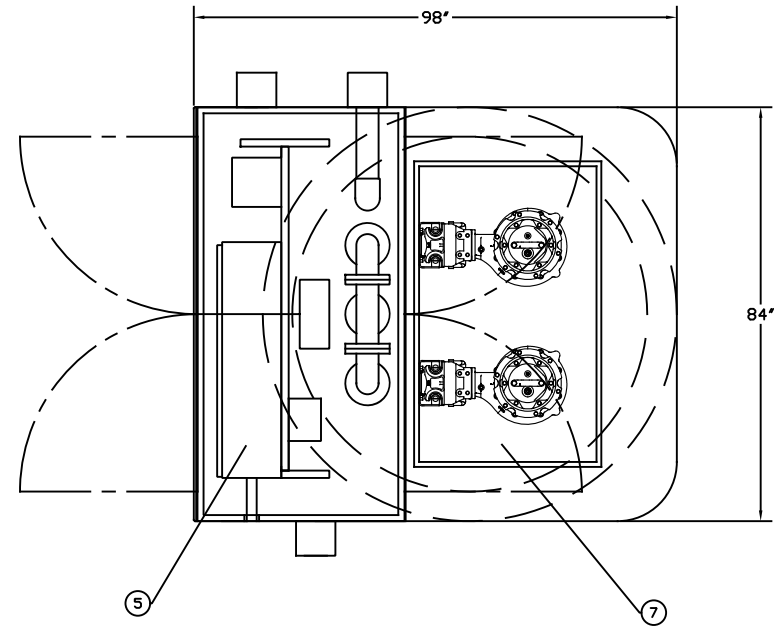



REVISIONS				
No.	DESCRIPTION	DATE	BY	APP.
△				



ITEM	QTY	DESCRIPTION	MAT'L & SIZE
1	2	PUMP	
2	1	BASE	POLYMER CONCRETE
3	2	PLUG VALVE	CAST IRON 4"
4	2	CHECK VALVE	CAST IRON 4"
5	1	CONTROL PANEL	NEMA 1 STAINLESS
6	1	WETWELL VENT	PVC
7	1	ACCESS HATCH	ALUMINUM 36"X60"
8	2	PRESSURE ISOLATOR RING	CAST IRON 4"
9	1	BYPASS CONNECTION	ALUMINUM 4" MALE DPW
10	1	BYPASS PLUG VALVE	CAST IRON 4"
11	3	THRUST CLAMP	CAST IRON
12	3	DRESSER COUPLING	

ORDER NO.	DSN'D BY	TITLE	PROJ.
	DRW'N DATE	EP1 PACKAGE PUMP SYSTEMS 4" PIPING WITH BYPASS	SCALE
	DRW'N BY K. LITTLEHALES	DRAWING NUMBER	1:100
 EBARA FLUID HANDLING			REV. 0