
End Suction Centrifugal Pump

Model GSU

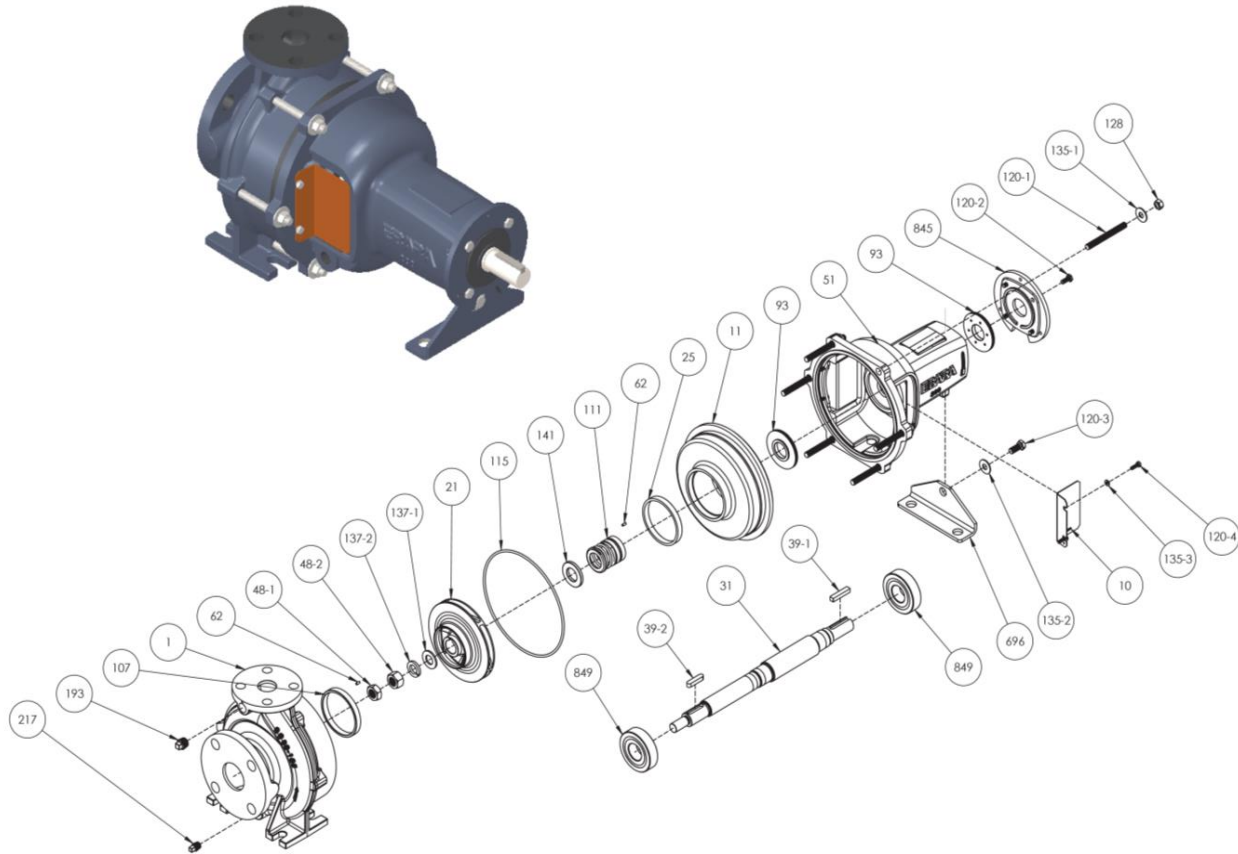


Parts Reference

Parts Reference

Material Specification

GSU 32-125 Models



Mechanical Seal Type

Nº	Description	Material	Qty
1	Casing	ASTM A48 CL35	1
10	Pump Guard	SAE 1020	2
11	Casing Cover	ASTM A48 CL35	1
21	Impeller	ASTM A48 CL35	1
25	Impeller Wear Ring	420 SS	1
31	Shaft	420 SS	1
39-1	Key	SAE 1045	1
39-2	Key	304 SS	1
48-1	Impeller Nut	304 SS	1
48-2	Impeller Nut	304 SS	1
51	Bearing Housing	ASTM A48 CL35	1
62	Spring Pin	304 SS	2
93	Deflector	EPDM / SAE	2
107	Casing Wear Ring	420 SS	1
111	Mechanical Seal	Carbon/Ceramic/NBR/304	1
115	O-ring	NBR	1

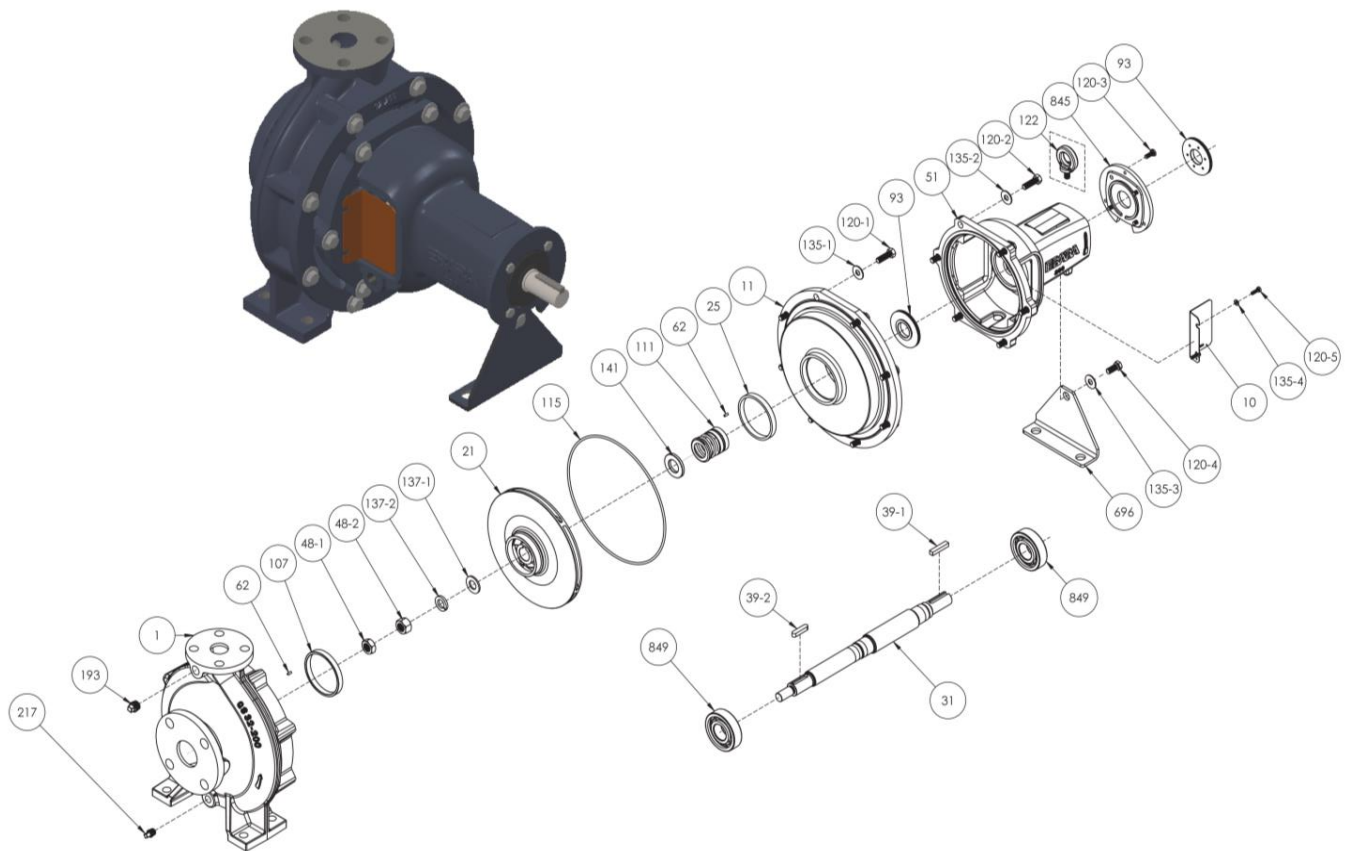
Nº	Description	Material	Qty
120-1	Stud Bolt	SAE (ZINC)	6
120-2	Bolt	SAE (ZINC)	4
120-3	Bolt	SAE (ZINC)	1
120-4	Bolt	SAE (ZINC)	4
128	Nut	SAE (ZINC)	6
135-1	Washer	SAE (ZINC)	6
135-2	Washer	SAE (ZINC)	1
135-3	Washer	SAE (ZINC)	4
137-1	Impeller Washer	304 SS	1
137-2	Lock Washer	304 SS	1
141	Spacer Ring	304 SS	1
193	Plug	SAE (ZINC)	1
217	Drain Plug	SAE (ZINC)	1
696	Support Foot	SAE 1020	1
845	Bearing Cover	ASTM A48 CL35	1
849	Ball Bearing	STEEL	2



Parts Reference

Material Specification

GSU 32-160 & Larger Models



Mechanical Seal Type

Nº	Description	Material	Qty (*)
1	Casing	ASTM A48 CL35	1
10	Pump Guard	SAE 1020	2
11	Casing Cover	ASTM A48 CL35	1
21	Impeller	ASTM A48 CL35	1
25	Impeller Wear Ring	420 SS	1
31	Shaft	420 SS	1
39-1	Key	SAE 1045	1
39-2	Key	304 SS	1
48-1	Impeller Nut	304 SS	1
48-2	Impeller Nut	304 SS	1
51	Bearing Housing	ASTM A48 CL35	1
62	Spring Pin	304 SS	---
93	Deflector	EPDM / SAE	2
107	Casing Wear Ring	420 SS	1
111	Mechanical Seal	Carbon/Ceramic/NBR/304	1
115	O-ring	NBR	1
120-1	Bolt	SAE (ZINC)	---

Nº	Description	Material	Qty
120-2	Bolt	SAE (ZINC)	6
120-3	Bolt	SAE (ZINC)	4
120-4	Bolt	SAE (ZINC)	1
120-5	Bolt	SAE (ZINC)	4
122	Eye Bolt	SAE (ZINC)	---
135-1	Washer	SAE (ZINC)	---
135-2	Washer	SAE (ZINC)	6
135-3	Washer	SAE (ZINC)	1
135-4	Washer	SAE (ZINC)	4
137-1	Impeller Washer	304 SS	1
137-2	Lock Washer	304 SS	1
141	Spacer Ring	304 SS	1
193	Plug	SAE (ZINC)	1
217	Drain Plug	SAE (ZINC)	1
696	Support Foot	SAE 1020	1
845	Bearing Cover	ASTM A48 CL35	1
849	Ball Bearing	STEEL	2

(*) For the parts with Qty "---", the quantity varies according to each model.

