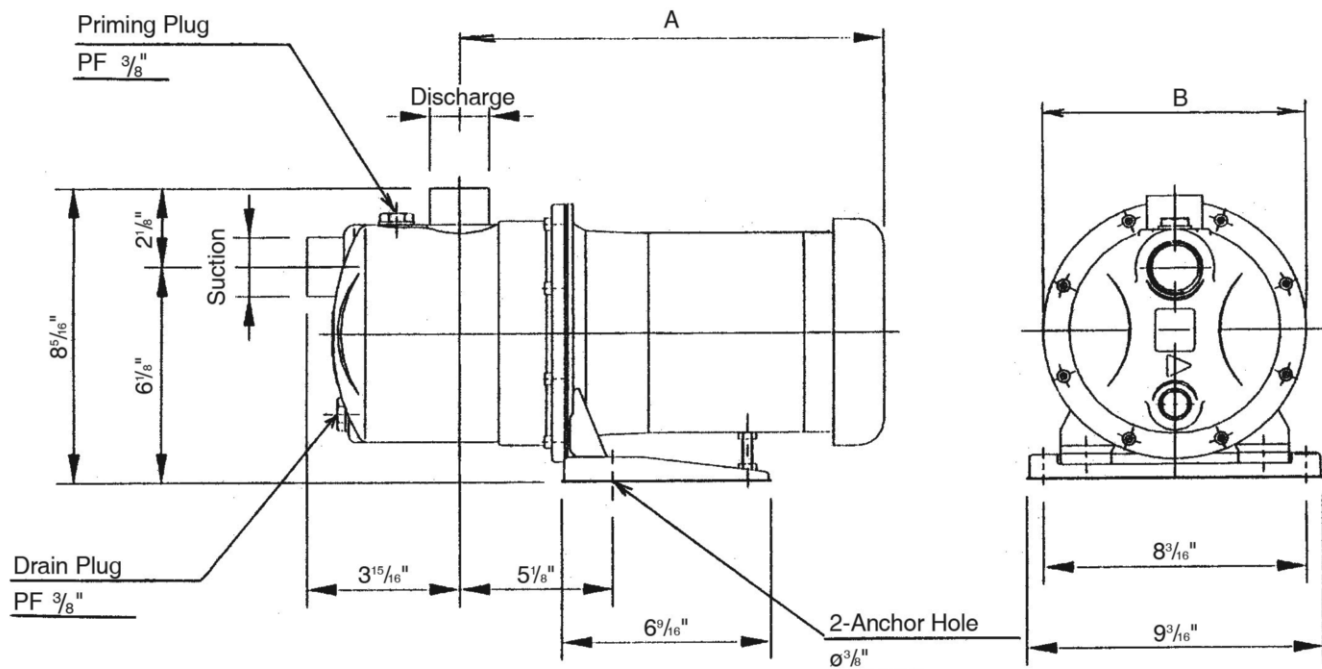


### Dimensions



Model	Size	Pump Size-NPT (inch)		Dimension (inch)		Unit Weight (lbs.)			
		Suction	Discharge	A	B	Single Phase		Three Phase	
						ODP	TEFC	ODP	TEFC
JEU806- $\frac{3}{4}$ HP	$1 \times 1\frac{1}{4} \times 4\frac{1}{2}$	$1\frac{1}{4}$	1	$19\frac{1}{16}$ Max.	$8\frac{3}{16}$ Max.	37	41	39	43
JEU1506- $1\frac{1}{2}$ HP	$1 \times 1\frac{1}{4} \times 5\frac{3}{16}$	$1\frac{1}{4}$	1	$19\frac{7}{16}$ Max.	$9\frac{5}{16}$ Max.	42	46	44	48

