



EBARA

CH2302EC

VERTICAL MIXED FLOW VOLUTE PUMPS

Model VLZ

Bore 200 ~ 1000mm (8 ~ 40in)



VERTICAL MIXED FLOW VOLUTE PUMPS

Model VLZ Bore 200 ~ 1000mm (8 ~ 40in)

Features

- Product's quality and performance are superior to others due to standardized production.
- Low price and fast delivery are assured by standardization.
- Free from clogging in sewage treatment.
- Applicable to any construction such as one floor or two floor system.
- Large hand hole facilitates inside inspection.
- Simplified and durable construction enable smooth operation and easy maintenance.
- Compact and light weight construction saves installation space.
- Each part is interchangeable and makes supply of parts easy.

Applications

- Transfer for sewerage works
- River water drainage
- Transfer for general industrial use
- Water intake

Application Range

- Capacity: 2.5 ~ 150m³/min (660 ~ 40000USGPM)
- Total head: 4 ~ 20m (13 ~ 65ft)
- Liquid: Sewage, River water, Fresh water
- Liquid temperature: Below 80°C (176°F)

Specifications

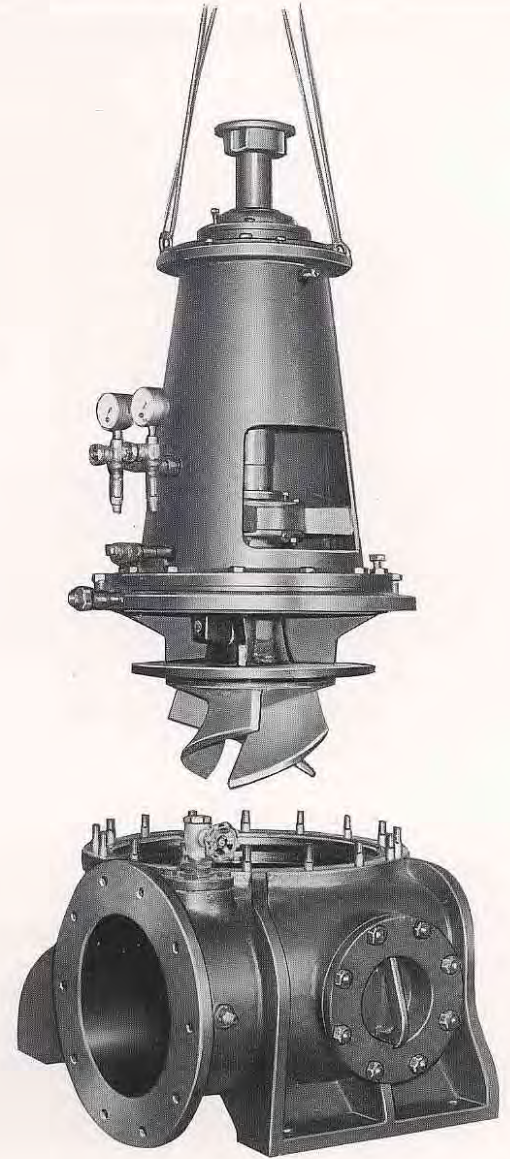
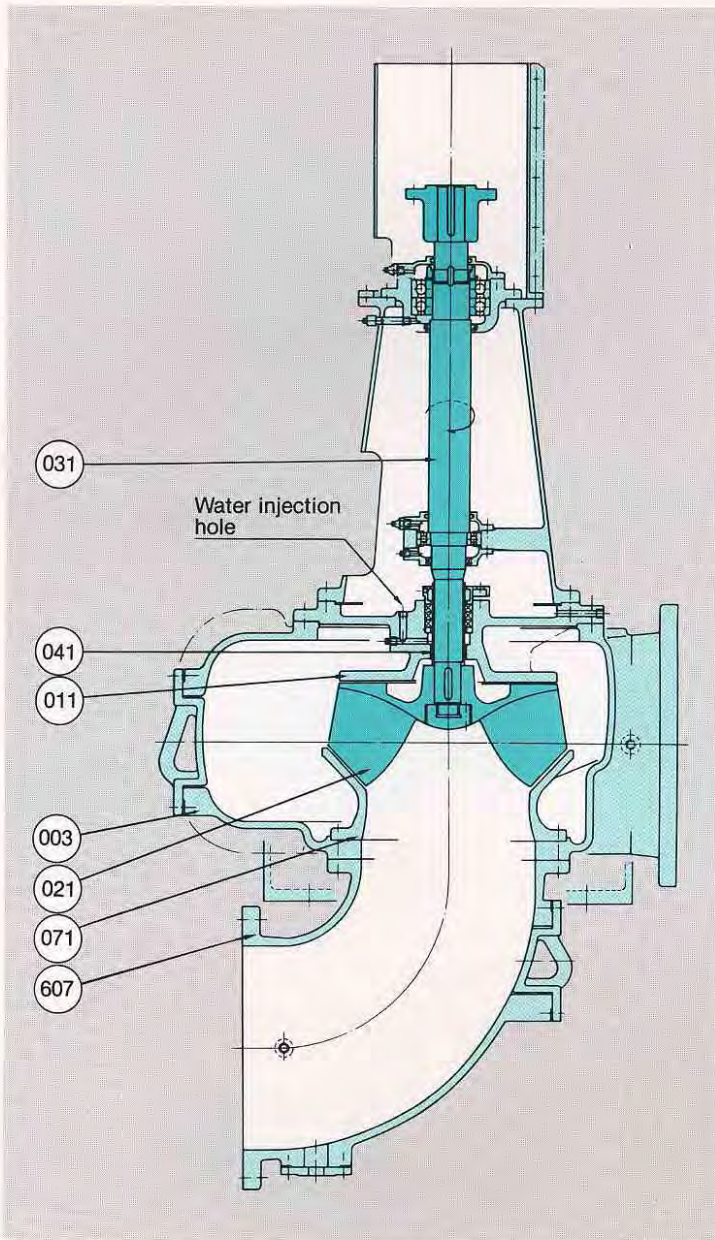
	STANDARD	OPTIONAL
Shaft seal	Gland packing	Mech. seal
Direction of rotation	CW (viewed from driver)	CCW
Flange	JIS 10K	Any standard
Suction elbow	90° bend	Any type
Drive method	Motor direct drive	Diesel engine drive through gear
Accessories	Foundation bolts, shaft coupling, self sealing water piping, drain piping	Gauge, pressure switch, bearing thermometer, tools, companion flange, etc.

(NOTE) Other specifications can be available, if required.

Standard Accessories

- In the case of 1 floor system
 - Coupling 1 set
 - Motor pedestal 1 pc
 - Anchor bolts 1 set
- In the case of 2 floor system
 - intermediate coupling 1 set
 - Motor base frame (with sole plate) 1 set
 - Anchor bolts 1 set
 - Checkered plate 1 set
 - Coupling guard 1 set
- In the case of Intermediate bearing is attached (for more than 3 floor system)
 - Motor base frame (with sole plate) 1 set
 - Intermediate bearing (Including bearing case, Ball bearing, Intermediate bearing pedestal, Intermediate shaft, etc.) 1 set
 - Intermediate bearing base frame (with sole plate) 1 set
 - Intermediate coupling 1 set
 - Checkered plate 1 set
 - Anchor bolts 1 set
 - Coupling guard 1 set

Construction



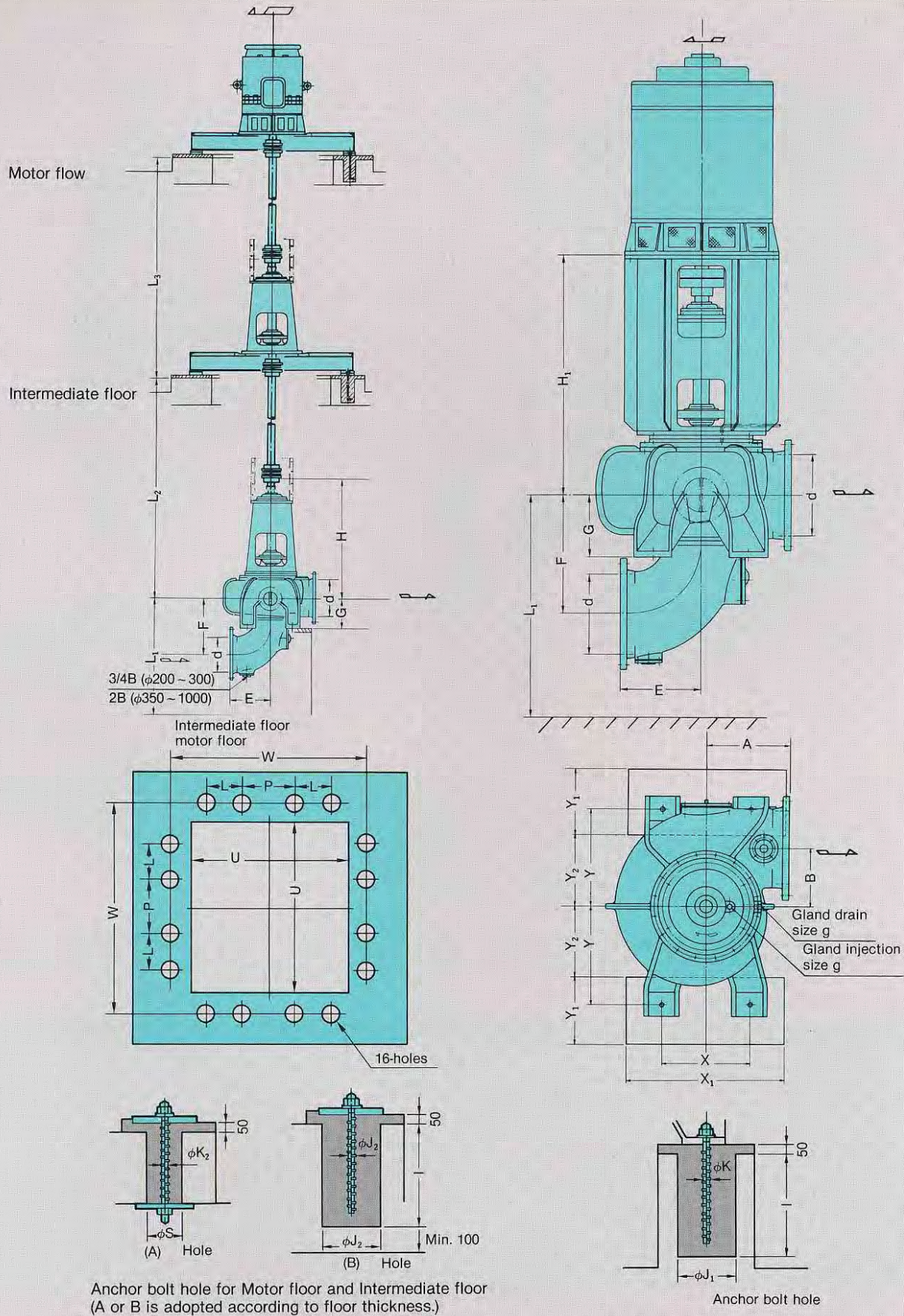
Materials

(Typical material combinations)

Part No.	Part name	$\phi 200 \sim 300$ (8 ~ 12in)	$\phi 350 \sim 1000$ (14 ~ 40in)
003	Discharge casing		Cast Iron
011	Casing cover		Cast Iron
021	Impeller	403 S.S.	304 S.S.
031	Shaft	420 S.S.	403 S.S.
041	Packing sleeve	420 S.S.	304 S.S.
071	Casing liner	403 S.S.	304 S.S.
607	Suction elbow		Cast Iron

(NOTE) Selection of material requires careful study of the properties of the liquid handled and of the operating conditions, etc. For specific details, please consult our factory.

Outline Dimensions



Anchor bolt hole for Motor floor and Intermediate floor (A or B is adopted according to floor thickness.)

Outline Dimensions

(Unit: mm)

Model	Dimensions of Pumps									Dimensions For Foundations				
	d	A	B	E	F	G	H	H _s	g	X	Y	X ₁	Y ₁	Y ₂
200VLZ	200	310	240	330	440	185	871	1025	10	320	300	540	300	200
250VLZ	250	330	260	405	535	210	881	1055	10	320	350	540	350	240
300VLZ	300	355	290	480	560	235	876	1040	10	360	380	580	400	270
350VLZ	340	470	290	400	600	270	1215	1415	15	400	450	800	600	300
400VLZ	400	470	330	420	640	300	1235	1435	15	450	500	850	600	350
450VLZ	450	500	360	450	670	350	1255	1455	15	500	550	900	600	400
500VLZ	500	620	480	550	750	380	1610	1810	20	580	590	1000	650	420
600VLZ	600	650	510	650	900	420	1630	1830	20	680	660	1200	650	490
700VLZ	700	700	600	750	1000	470	1670	1870	20	820	750	1400	650	550
800VLZ	800	750	700	850	1350	570	2015	—	20	900	870	1500	700	650
900VLZ	900	850	800	950	1550	600	2150	—	20	1000	1020	1600	700	800
1000VLZ	1000	950	900	1100	1750	680	2300	—	20	1100	1120	1700	700	900

Model	Dimensions for Foundations												
	U	W	P	L	I	J		S	K		L ₁ min.	L ₂ max.	L ₃ max.
						J ₁	J ₂		K ₁	K ₂			
200VLZ	1100	1450	300	250	400	100	100	100	20	20	700	3000	3000
250VLZ	1100	1450	300	250	430	150	100	100	22	20	850	3000	3000
300VLZ	1200	1550	400	250	430	150	100	100	22	20	950	3000	3000
350VLZ	1300	1650	370	280	430	150		150	22		950	3000	3000
400VLZ	1400	1750	420	280	430	150		150	22		1000	3500	3500
450VLZ	1500	1850	470	280	430	150		150	22		1050	3500	3500
500VLZ	1700	2050	550	300	500	150		150	24		1150	4000	4000
600VLZ	1900	2250	650	300	500	150		150	24		1350	4500	4500
700VLZ	2100	2450	700	350	500	150		150	24		1500	5000	5000
800VLZ	2400	2800	800	400	630	200		200	30		1950	5500	5500
900VLZ	2600	3100	1100	400	630	200		200	30		2200	6000	6000
1000VLZ	2900	3400	1300	400	630	200		200	30		2450	6000	6000

How to Determine Motor Output

The motor output is to be determined by the following formula:

$$M(\text{kW}) = K \times \rho \times Q \times H$$

where, Q: Capacity (m³/min) H: Total head (m)

ρ : Density (kg/ℓ)

(fresh water = 1.0 sewage = 1.0)

sea water = 1.025)

K: Coefficient (as per the list below)

Bore mm	K value
200 ~ 300	0.245
350 ~ 450	0.236
500 ~ 700	0.23
800 ~ 1000	0.225

(Calculation Exemple)

In case of sewage, Q = 30m³/min. H = 20m, 50Hz

(Bore 450),

$$M(\text{kW}) = 0.236 \times 1.0 \times 30 \times 20 = 142\text{kW}$$

*Related motor output is determined as 145kW.

Gland Sealing Water

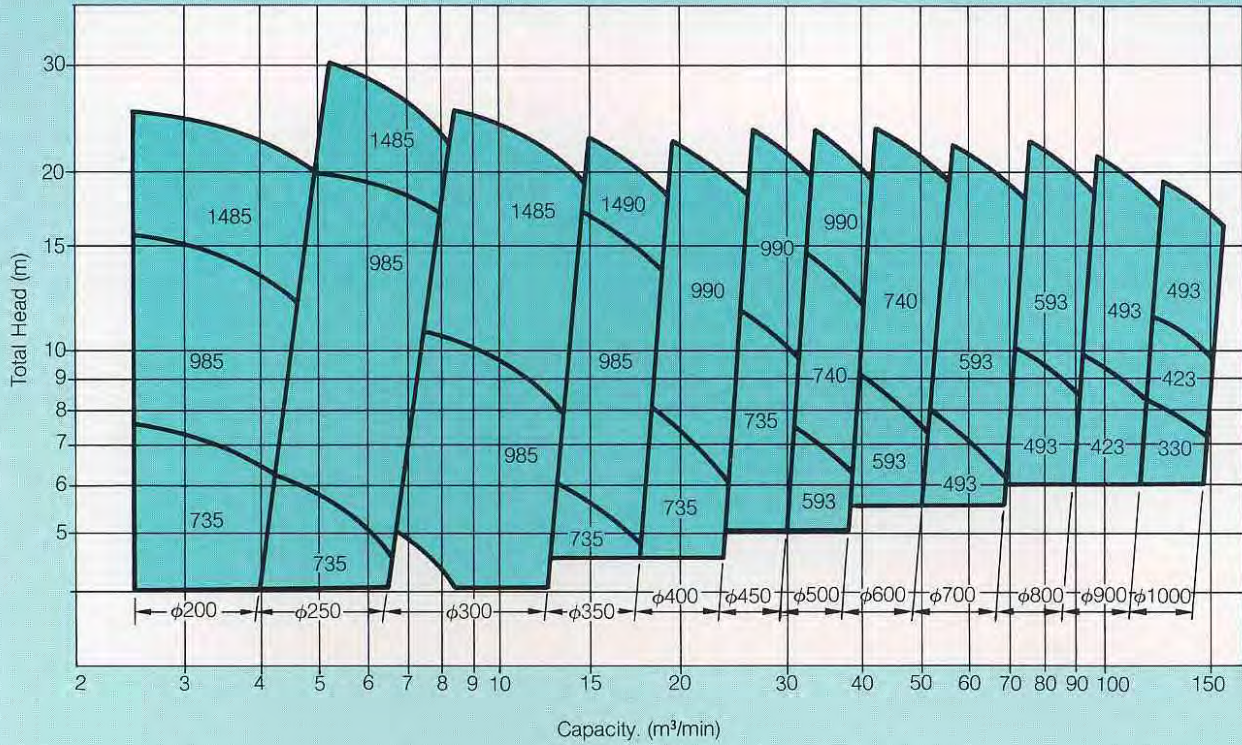
Fresh water of normal temperature having following water capacity and pressure is required per unit of pump:

Bore mm	Capacity ℓ/min	Pressure
200 ~ 300	10	normal press.
350 ~ 450	20	+ 1.0kgf/cm ²
500 ~ 700	25	{ 0.0981MPa }
800 ~ 1000	30	or more

Selection Chart

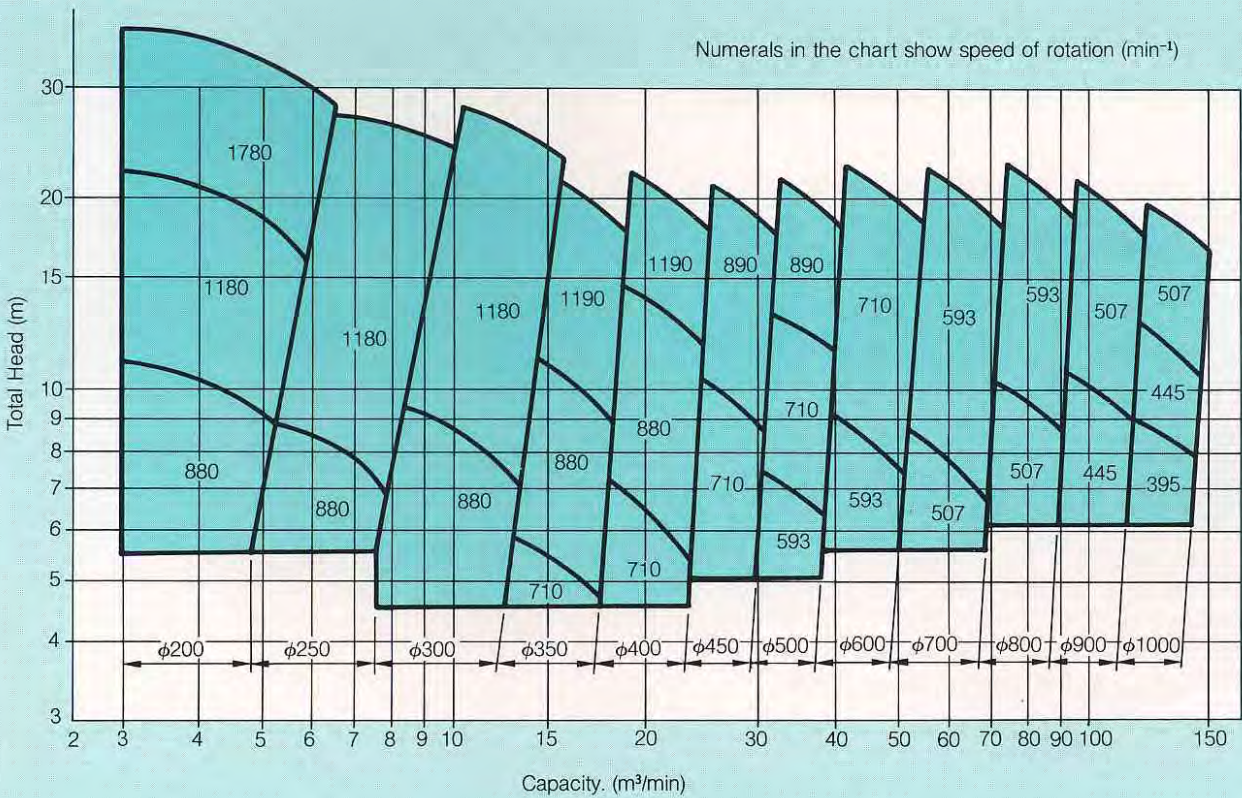
50Hz

Numerals in the chart show speed of rotation (min⁻¹)

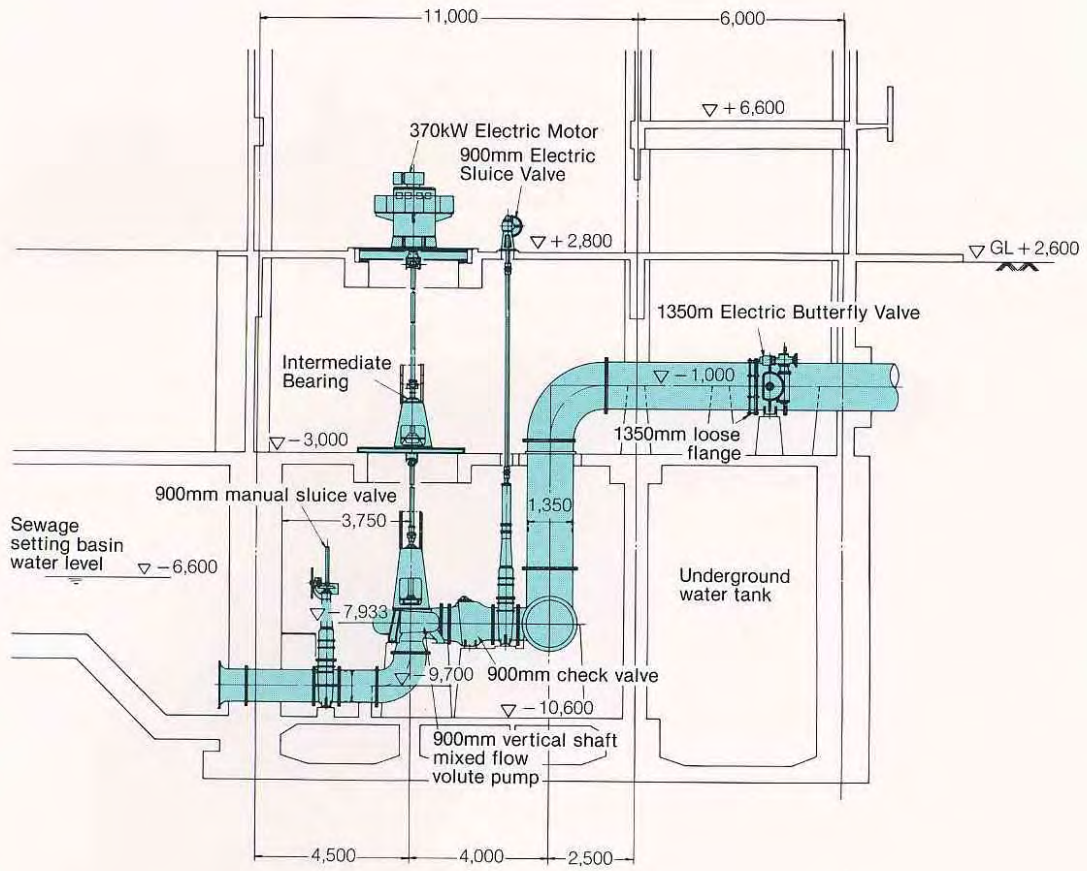


60Hz

Numerals in the chart show speed of rotation (min⁻¹)



An Example for Installation



900 VLZM Vertical Mixed Flow Volute Pump
 115 m³/min × 14m × 490 min⁻¹ 370kW
 (30400 USGPM × 46 ft × 490 min⁻¹ × 496 HP)



EBARA CORPORATION

OVERSEAS OFFICES

Head Office

11-1, Haneda Asahi-cho, Ota-ku,
Tokyo, 144 Japan
Phone: Tokyo 743-6111
Cable: EBARAMAIN TOKYO
Int'l Telex: J22988 EBARA TYO
Fax: 745-3356

International Division

Asahi Bldg., 6-7, Ginza 6-chome,
Chuo-ku, Tokyo, 104 Japan
Phone: Tokyo, 572-5611
Cable: EBARACO TOKYO
Int'l Telex: J26976 TOEBARA
Fax: 572-6360

London Office

6th Floor, Regal House London Road
Twickenham Middlesex, TW1 3QS
England
Phone: 01-892-8971-5
Telex: 263857 (EBR UK G)
Fax: 01-891-6730

New Delhi Office

c/o Technocolab, 706/707,
Divika Tower, 6, Nehru Place
New Delhi-110 019, India
TEL: 641-1220
TELEX: 031-62851 EBARA IN

Jakarta Office

c/o P.T. Palmas Entraco
Jl. Gunung
Sahari Raya 57G, Jakarta
Indonesia
Phone: 21-410540
Cable: Ebara Jakarta
Telex: 49128 (PALCO JKT)
Fax: 21-412908

Beijing Office

Room 6002, Yanjing Hotel,
19, Fu Xing Men Wai, Street,
Beijing City,
People's Republic of China
Phone: Yanjing Hotel 86-8721 Room # 6002
Telex: 8520028 Yjhtl CN
(Attn: Room 6002, Mr. K. Matsumoto of
Ebara Corp., Beijing.)

OVERSEAS COMPANIES

Ebara International Corporation

Los Angeles Office
19750 South Vermont Ave., Suite 160
Torrance, Calif. 90502 U.S.A.
Phone: 213-324-5277
Telex: 664498 EBARA LA. INW
Fax: 213-324-3580

Greensburg Office

Hempfield Industrial Park
R.D. #6 Box 516
Greensburg Pa 15601 U.S.A.
Phone: 412-832-1200
Telex: 212-709 (EBARA UR)
Fax: 412-838-0279

Houston Office

4544 South Pinemont
Suite 202 Houston, Texas 77041 U.S.A.
Phone: 713-690-1595
Telex: 792113 (EBARA INTL Hou)
Fax: 713-690-1599

Cryodynamics Company - Ebara Group

51 Main Ave., Sacramento, Calif 95838
U.S.A.
Phone: 916-920-5451
Telex: 171366
Fax: 916-925-6654

Ebara do Brasil Maquinas Industriais Ltda.

Avenida Paulista 949, 21^o Andar,
Conj. 211 Cep 01311 Sao Paulo,
S.P. Brasil
Phone: 011-287-7744
Cable: EBRASMAIN SAO PAULO
Telex: 011-24585 (1124585 EBSP BR)
Fax: 011-288-1277

Ebara Industrias Mecanicas e Comercio Ltda.

Rua Joaquim Marques de Figueiredo,
2-31, Bauru, S.P. Brasil
Phone: 142-23-7444

Ebara Engineering Singapore Pte Ltd.

583 Orchard Road #07-01
Forum Galleria
Singapore 0923
Phone: 7349588
Telex: 37018 (EBRSIN RS37018)
Fax: 7344551

P.T. Ebara Indonesia

Cimanggis KM. 32 Desa Curug,
Bogor Jawa Barat, Jakarta Indonesia
Phone: 21-870033, 21-870051

All specifications are subject to change without notice

In this catalog, the particulars in [] are in accordance with
the International System of Units (SI) and given for reference only.